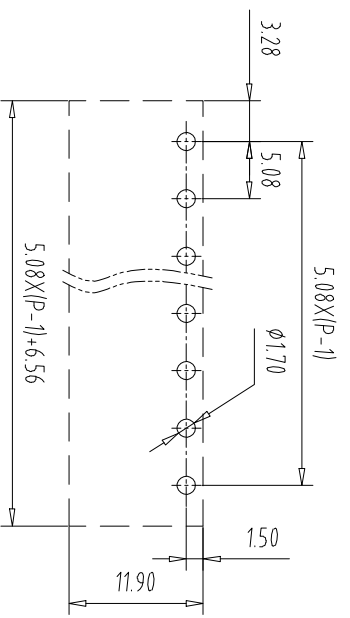
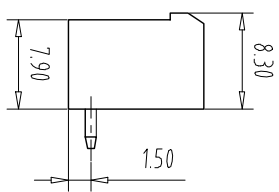
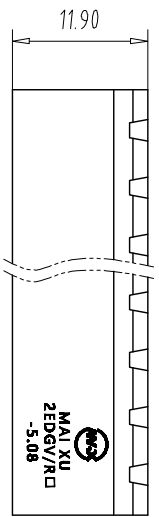
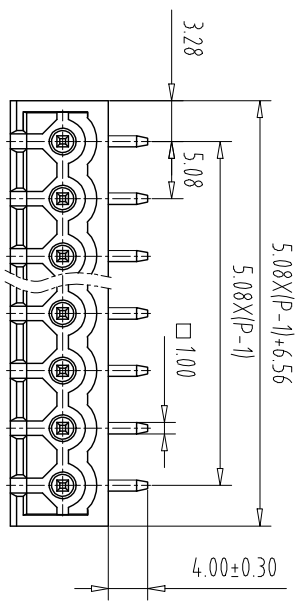


注: 本板为禁止传输、复制、翻印或存档, 以及用其内容进行复制或传播



PCB Layout

REV	ECN NO.	CONTENT	CHK	DATE

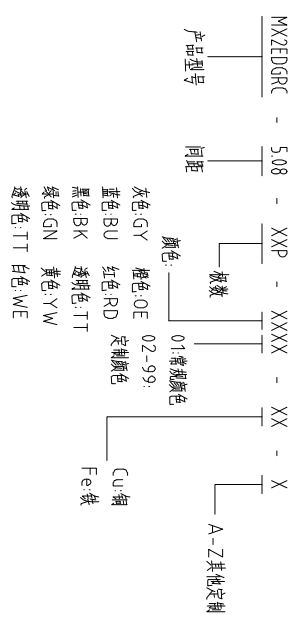
NOTES1:
 UL Standard
 1.Rating voltage/current: 300V/15A
 2.withstanding voltage: AC2000V/1Min
 IEC Standard

1.	2.
Pollution Degree	III
Overvoltage Category	4.0kV
Rate Impulse Voltage(kV)	320V
Rate Voltage(V)	15A
Rate Current(A)	

NOTES2:
 1.Housing: PA66 (UL94V-0)
 2.Solder Pin: Brass (Sn Plated)

NOTES3:
 1.Pitch: 5.08mm Poles: 02-24P
 2.Operating temperature: -40°C~+105°C
 3.RoHS Compliance

How to order



Pitch Range In mm	Nominal Dimension In mm	Range	Symbol
Over 6 TO	Over 10 TO	Over 30 TO	0.1/10
Over 10 TO	Over 24 TO	Over 60 TO	
Over 10 TO	Over 30 TO	Over 60 TO	±
Over 24 TO	Over 60 TO	Over 100 TO	
Over 30 TO	Over 60 TO	Over 100 TO	±2°
Over 60 TO	Over 100 TO	Over 150 TO	

ITEM	NAME OF PART	NO. OF PART	Q'TY	MATERIAL	NOTE
DWG	CHK	DATE	UNITS	MM	1/1
APP	DATE	SCALE	SCALE	A4	1/1
CIXI MAIXU ELECTRONICS CO.,LTD			MX2EDGRC-5.08-XXP		
MAIXU 慈溪市迈旭电子有限公司			DWGNO.		

X-ON Electronics

Largest Supplier of Electrical and Electronic Components

Click to view similar products for [Pluggable Terminal Blocks](#) category:

Click to view products by [MAX](#) manufacturer:

Other Similar products are found below :

[57.510.0053](#) [MC 1.5/ 6-ST-3.5 GY AU](#) [ET02015000J0G](#) [860505](#) [860516](#) [860810](#) [GBPACX-12](#) [93.731.4953.0](#) [PV05-5,08-K](#) [PVP03-3,50](#)
[PVS02-5,00](#) [1-1986160-3](#) [1377680000](#) [1531000000](#) [1546228-5](#) [ELFP03110](#) [ELFP10210](#) [ELFT07250](#) [ELVD12100](#) [ELVF09400](#)
[ELVP03100](#) [ELXH071G0E](#) [1700410](#) [1746952](#) [1760336](#) [1800272](#) [1809474](#) [1855000000](#) [19346](#) [1946309](#) [1950227](#) [1973592](#) [19892](#)
[25.320.4053.1](#) [25.320.4553.9](#) [25.320.4753.1](#) [25.320.5453.1](#) [25.340.0353.1](#) [25.340.1053.1](#) [25.345.3553.0M001](#) [25.640.3553.1](#) [SH02-5,08](#)
[SH06-3,81](#) [SH08-5,08](#) [SH08-5,08-K](#) [SH12-5,08](#) [SHS04-5,00](#) [30.303](#) [30.305](#) [30.306](#)