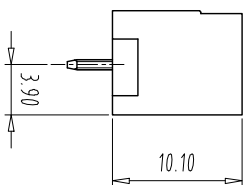
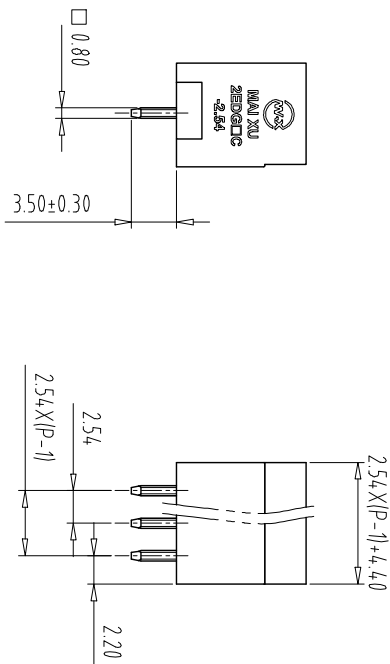
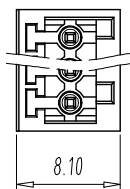


注: 本板为禁止传输、复制、编辑、打印, 以及用其内容进行任何交流



REV	ECN NO.	CONTENT	CHK	DATE

NOTES1:
UL Standard

1 Use group	B	C	D
Rated Current	5A	/	/
Rated Voltage	150V	/	/

2 withstanding voltage: AC1300V/1Min
IEC Standard

1 Pollution Degree	3	2	2
Overvoltage Category	III	III	II
Rate Impulse Voltage(KV)	1.5KV	2.5KV	2.5KV
Rate Voltage(V)	80V	160V	200V
Rate Current(A)	5A	5A	5A

NOTES2:

- 1.Housing: PA66 (UL94V-0)
- 2.Solder Pin: Brass (Sn Plated)

NOTES3:

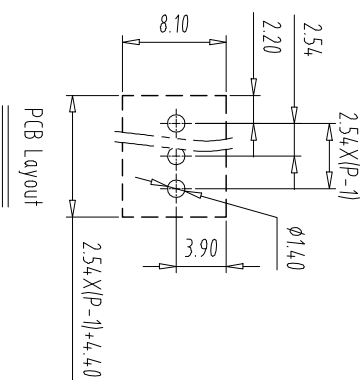
- 1.Pitch: 2.54mm Poles: 02-24P
- 2.Operating temperature: -40℃~+105℃
- 3.RoHS Compliance

How to order

MX2EDGVC - 2.54 - XXP - XXXX - XX - X

产品型号 间距 板数 颜色: 01:带板颜色 02-99: 定制颜色 A-乙其他定制

颜色: 灰色:GY 橙色:OE 定制颜色
蓝色:BU 红色:RD
黑色:BK 透明色:TT
绿色:GN 黄色:YW
透明色:TT 白色:WE



Pitch Range In mm	Nominal Dimension In mm	Range
Over 6 TO	Over 10 TO	Over 30 TO
Over 10 TO	Over 24 TO	Over 60 TO
Over 24 TO	Over 30 TO	Over 100 TO
Over 30 TO	Over 60 TO	Over 150 TO
Over 60 TO	Over 100 TO	Over 150 TO

±0.15	±0.20	±0.30	±0.30	±0.50	±0.70	±1.00	±1.30	±2°
Over 6 TO	Over 10 TO	Over 24 TO	Over 30 TO	Over 60 TO	Over 100 TO	Over 150 TO	Over 150 TO	0.1/10
Over 10 TO	Over 24 TO	Over 30 TO	Over 60 TO	Over 100 TO	Over 150 TO	Over 150 TO	Over 150 TO	∠

ITEM	NAME OF PART	NO. OF PART	Q'TY	MATERIAL	NOTE
DWG	CHK	DATE	UNITS	MM	1/1
APP	DATE	SCALE	SCALE	A4	1/1
NAME				MX2EDGVC-2.54-XXP	

CIXI MAIXU ELECTRONICS CO.,LTD
东莞市迈旭电子有限公司

X-ON Electronics

Largest Supplier of Electrical and Electronic Components

Click to view similar products for [Pluggable Terminal Blocks](#) category:

Click to view products by [MAX](#) manufacturer:

Other Similar products are found below :

[57.510.0053](#) [MC 1.5/ 6-ST-3.5 GY AU](#) [ET02015000J0G](#) [860505](#) [860516](#) [860810](#) [GBPACX-12](#) [93.731.4953.0](#) [PV05-5,08-K](#) [PVP03-3,50](#)
[PVS02-5,00](#) [1-1986160-3](#) [1377680000](#) [1531000000](#) [1546228-5](#) [ELFP03110](#) [ELFP10210](#) [ELFT07250](#) [ELVD12100](#) [ELVF09400](#)
[ELVP03100](#) [ELXH071G0E](#) [1700410](#) [1746952](#) [1760336](#) [1800272](#) [1809474](#) [1855000000](#) [19346](#) [1946309](#) [1950227](#) [1973592](#) [19892](#)
[25.320.4053.1](#) [25.320.4553.9](#) [25.320.4753.1](#) [25.320.5453.1](#) [25.340.0353.1](#) [25.340.1053.1](#) [25.345.3553.0M001](#) [25.640.3553.1](#) [SH02-5,08](#)
[SH06-3,81](#) [SH08-5,08](#) [SH08-5,08-K](#) [SH12-5,08](#) [SHS04-5,00](#) [30.303](#) [30.305](#) [30.306](#)