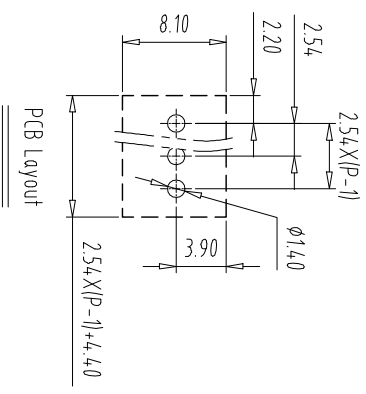
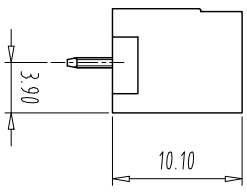
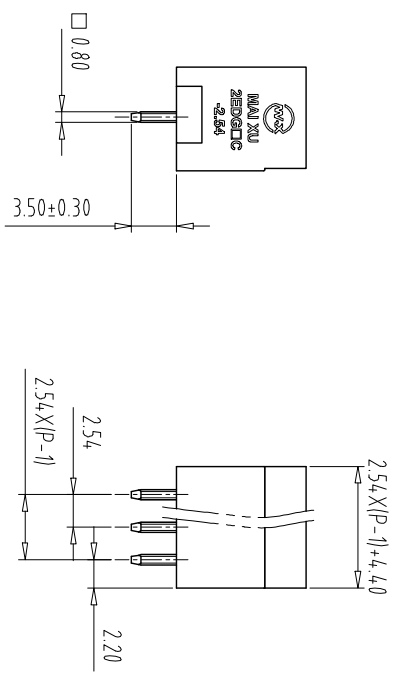
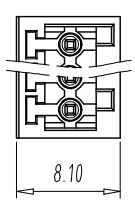


注: 本板为禁止传输、复制、编辑、打印, 以及用其内容进行任何交流



Pitch	Range	In	Nominal Dimension	Range
mm	Over 6	Over 10	Over 30	Over 60
	TO 6	TO 10	TO 30	TO 60
	TO 10	TO 24	TO 60	TO 100
	TO 24	TO 30	TO 100	TO 150
±0.15	±0.20	±0.30	±0.50	±0.70
				±1.00
				±1.30
				±2°

REV	ECN NO.	CONTENT	CHK	DATE

NOTES1:
UL Standard

1 Use group	B	C	D
Rated Current	5A	/	/
Rated Voltage	150V	/	/

2 withstanding voltage: AC1300V/1Min
IEC Standard

1 Pollution Degree	3	2	2
Overvoltage Category	III	III	II
Rate Impulse Voltage(KV)	1.5KV	2.5KV	2.5KV
Rate Voltage(V)	80V	160V	200V
Rate Current(A)	5A	5A	5A

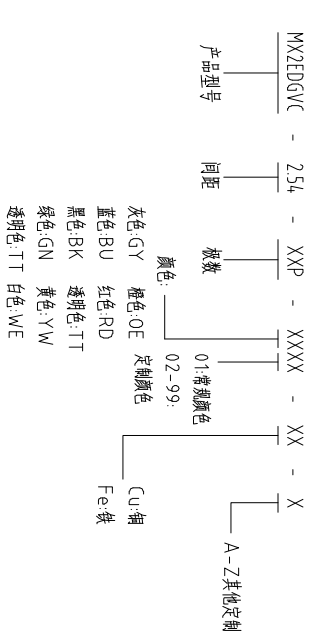
NOTES2:

- 1 Housing: PA66 (UL94V-0)
- 2 Solder Pin: Brass (Sn Plated)

NOTES3:

- 1 Pitch: 2.54mm Poles: 02-24P
- 2 Operating temperature: -40℃~+105℃
- 3 RoHS Compliance

How to order



ITEM	NAME OF PART	NO. OF PART	Q'TY	MATERIAL	NOTE
DWG	CHK	DATE	UNITS	MM	SHEET/OF 1/1
APP	DATE	SCALE	SCALE	A4	1:1
CXI MAIXU ELECTRONICS CO.,LTD 慈溪市迈旭电子有限公司				NAME	MX2EDGVC-2.54-XXP
				DWGNO.	

X-ON Electronics

Largest Supplier of Electrical and Electronic Components

Click to view similar products for [Pluggable Terminal Blocks](#) category:

Click to view products by [MAX](#) manufacturer:

Other Similar products are found below :

[57.510.0053](#) [MC 1.5/ 6-ST-3.5 GY AU](#) [ET02015000J0G](#) [860505](#) [860516](#) [860810](#) [GBPACX-12](#) [93.731.4953.0](#) [PV05-5,08-K](#) [PVP03-3,50](#)
[PVS02-5,00](#) [1-1986160-3](#) [1377680000](#) [1531000000](#) [1546228-5](#) [ELFP03110](#) [ELFP10210](#) [ELFT07250](#) [ELVD12100](#) [ELVF09400](#)
[ELVP03100](#) [ELXH071G0E](#) [1700410](#) [1746952](#) [1760336](#) [1800272](#) [1809474](#) [1855000000](#) [19346](#) [1946309](#) [1950227](#) [1973592](#) [19892](#) [2-](#)
[1546857-6](#) [25.320.4053.1](#) [25.320.4553.9](#) [25.320.4753.1](#) [25.320.5453.1](#) [25.340.0353.1](#) [25.340.1053.1](#) [25.345.3553.0M001](#) [25.640.3553.1](#)
[SH02-5,08](#) [SH06-3,81](#) [SH08-5,08](#) [SH08-5,08-K](#) [SH12-5,08](#) [SHS04-5,00](#) [30.303](#) [30.305](#)