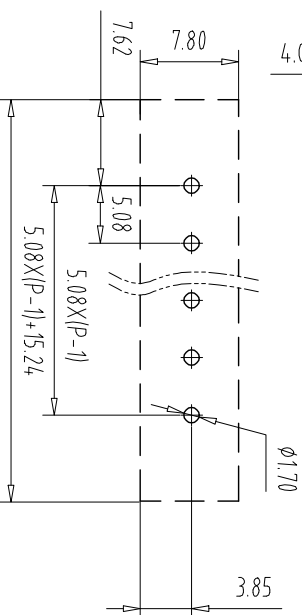
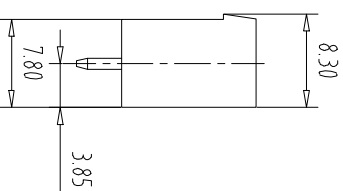
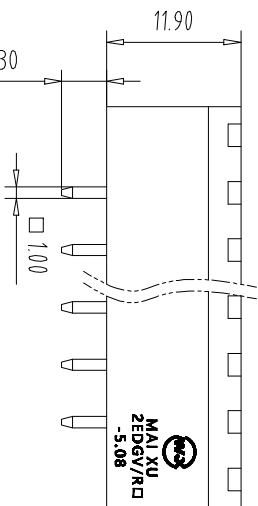
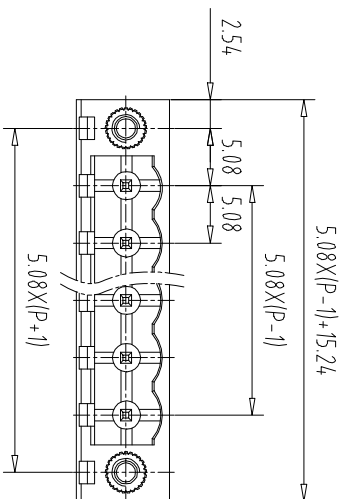


注: 本板为禁止运输、复制、翻印文件, 以及用其内容进行交流



PCB Layout

REV	ECN NO.	2	CONTENT	CHK	DATE
-----	---------	---	---------	-----	------

NOTES1:

- UL Standard
- 1.Rating voltage/current: 300V//15A
- 2.withstanding voltage: AC2000V//1Min
- IEC Standard

Pollution Degree	2
Overvoltage Category	III
Rate Impulse Voltage(KV)	4.0KV
Rate Voltage(V)	320V
Rate Current(A)	15A

NOTES2:

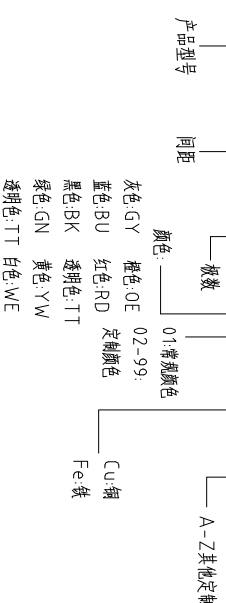
- 1.Housing: PA66 (UL94V-0)
- 2.Solder Pin: Brass (Sn Plated)
- 3.Nut: Brass (M2.5)

NOTES3:

- 1.Pitch: 5.08mm Poles: 02-24P
- 2.Operating temperature: -40℃~+105℃
- 3.RoHS Compliance

How to order

MX2EDGVM - 508 - XXP - XXXX - XX - X



Pitch	Range In		Nominal Dimension Range					mm	
	Over	In	Over	In	Over	In	Over		
TO	6	TO	30	TO	60	TO	100	Over	0.1/10
	10	TO	60	TO	100	TO	150		
	6	TO	24	TO	30	TO	60	Over	150
	±0.15	±0.20	±0.30	±0.30	±0.50	±0.70	±1.00	±1.30	±2°

ITEM	NAME OF PART	NO. OF PART	Q'TY	MATERIAL	NOTE
DWG	CHK	DATE	UNITS	MM	SHEET/OF
APP	DATE	SCALE	1:1	A4	1/1
CIXI MAIXU ELECTRONICS CO.,LTD					MX2EDGVM-5.08-XXP
MAI XU 慈溪市迈旭电子有限公司					DWGNO.

X-ON Electronics

Largest Supplier of Electrical and Electronic Components

Click to view similar products for [Pluggable Terminal Blocks](#) category:

Click to view products by [MAX](#) manufacturer:

Other Similar products are found below :

[57.510.0053](#) [MC 1.5/ 6-ST-3.5 GY AU](#) [ET02015000J0G](#) [860505](#) [860516](#) [860810](#) [GBPACX-12](#) [93.731.4953.0](#) [PV05-5,08-K](#) [PVP03-3,50](#)
[PVS02-5,00](#) [1-1986160-3](#) [1377680000](#) [1531000000](#) [1546228-5](#) [ELFP03110](#) [ELFP10210](#) [ELFT07250](#) [ELVD12100](#) [ELVF09400](#)
[ELVP03100](#) [ELXH071G0E](#) [1700410](#) [1746952](#) [1760336](#) [1800272](#) [1809474](#) [1855000000](#) [19346](#) [1946309](#) [1950227](#) [1973592](#) [19892](#)
[25.320.4053.1](#) [25.320.4553.9](#) [25.320.4753.1](#) [25.320.5453.1](#) [25.340.0353.1](#) [25.340.1053.1](#) [25.345.3553.0M001](#) [25.640.3553.1](#) [SH02-5,08](#)
[SH06-3,81](#) [SH08-5,08](#) [SH08-5,08-K](#) [SH12-5,08](#) [SHS04-5,00](#) [30.303](#) [30.305](#) [30.306](#)