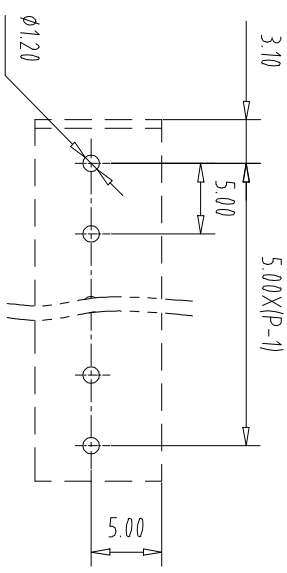
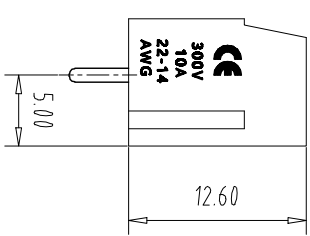
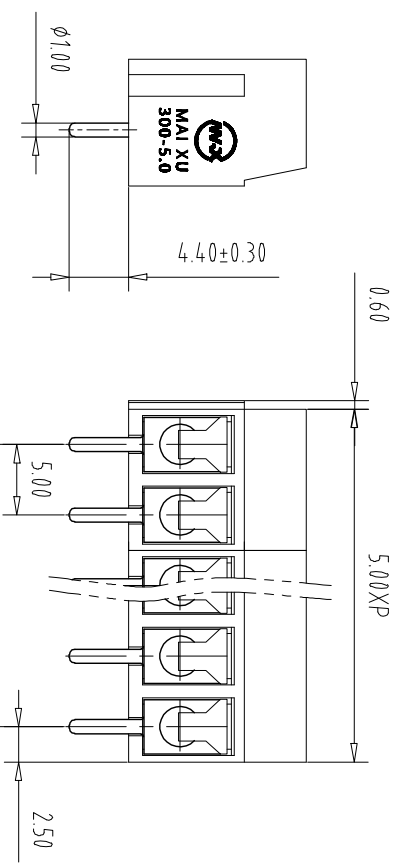
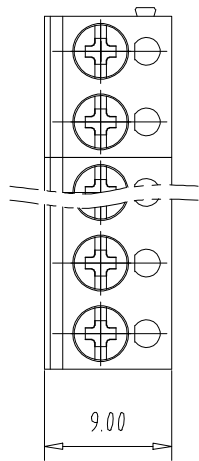


注：本板为禁止传输、复制、编辑文件，以及用其内容进行交流



| REV | ECN NO. | CONTENT | CHK | DATE |
|-----|---------|---------|-----|------|
| | | | | |

- NOTES1:
 UL Standard
 1.Rating voltage/current: 300V//10A
 2.withstanding voltage: AC2000V//1Min
 3.Torque value: M3, 4.43Lb.in
 4.Wire range: 22~14AWG
 IEC Standard

| Pollution Degree | 3 | 2 | 2 |
|--------------------------|-----|------|----|
| Overvoltage Category | III | II | II |
| Rate Impulse Voltage(kV) | / | / | / |
| Rate Voltage(V) | / | 250V | / |
| Rate Current(A) | / | 15A | / |

- NOTES2:
 1.Housing: PA66(UL94V-0)
 2.Solder Pin: Copper alloy(Sn Plated)
 3.Spring: Stainless Steel
 4.Screw: Steel(M3,Zn Plated)

- NOTES3:
 1.Pitch: 5.0mm Poles: 02-24P
 2.Stripping length: 5-6mm
 3.Operating temperature: -40℃~+105℃
 4.RoHS Compliance

How to order
 MX300 - 50 - XXP - XXXX - XX - X - X - X
 产品型号 间距 颜色 板数 01:常规颜色 A-其他定制

颜色:GY 绿色:OE 02-99: 0.Y一字螺丝
 蓝色:BU 红色:RD 定制颜色 1.S十字螺丝
 黑色:BK 透明色:TT 2.PS平头十字螺丝
 绿色:GN 黄色:YW
 透明色:TT 白色:WE
 Cu铜方块 Fe铁方块

| Pitch Range In mm | Nominal Dimension In mm | Range | Symbol | | | | | |
|-------------------|-------------------------|------------|------------|-------------|-------------|-------------|--------|-----|
| Over 6 TO | Over 10 TO | Over 30 TO | Over 60 TO | Over 100 TO | Over 150 TO | Over 150 TO | 0.1/10 | |
| ±0.15 | ±0.20 | ±0.30 | ±0.30 | ±0.50 | ±0.70 | ±1.00 | ±1.30 | ±2° |

| ITEM | NAME OF PART | NO. OF PART | Q'TY | MATERIAL | NOTE |
|--------------------------------|--------------|-------------|-------|----------|---------------|
| DWG | CHK | DATE | UNITS | MM | SHEET/OF |
| APP | DATE | SCALE | 1:1 | A4 | 1/1 |
| CIXI MAIXU ELECTRONICS CO.,LTD | | | | | NAME |
| 东莞市迈旭电子有限公司 | | | | | MX300-5.0-XXP |
| DWGNO. | | | | | |

X-ON Electronics

Largest Supplier of Electrical and Electronic Components

Click to view similar products for [Fixed Terminal Blocks](#) category:

Click to view products by [MAX](#) manufacturer:

Other Similar products are found below :

[MBE-1512](#) [MBE-1520](#) [MBE-154](#) [MBE-156](#) [MBES-156](#) [MH-2512](#) [MHE-132](#) [MHE-163](#) [MI-254 \(35\)](#) [MI-272](#) [MPT-275](#) [15602-04-08-21](#)
[ELM10110G](#) [BA311TU](#) [BA411SU](#) [MV-254-D](#) [MV-255](#) [MV-493](#) [MVE-252](#) [MVE-253](#) [MVEB-153](#) [1705142](#) [1712417](#) [1713088](#) [1745195](#)
[1760594](#) [1-796689-8](#) [1800114](#) [20020314-C121B01LF](#) [KP03215000J0G](#) [KP04215000J0G](#) [S451](#) [29.007](#) [29.116](#) [30.204](#) [30.503](#) [30.756](#)
[30.853](#) [996750](#) [1710052](#) [1777707](#) [1-796692-3](#) [20020316-G071B01LF](#) [20020327-C061B01LF](#) [29590](#) [30.652](#) [30.710](#) [30.754](#) [30.757](#) [32.058](#)