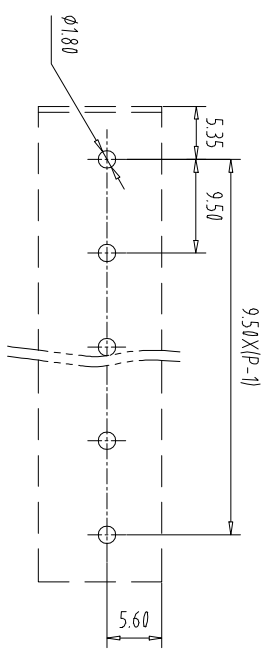
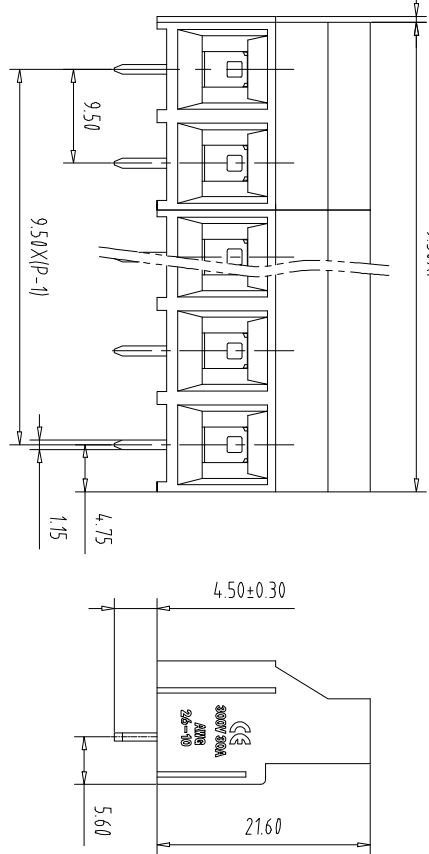
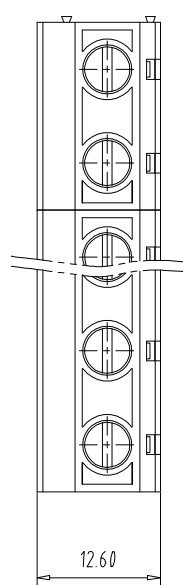


注：本板为禁止传输、复制、编辑文档，以及用其内容进行交流



PCB Layout

REV	ECN NO.	CONTENT	CHK	DATE

NOTES1:

- UL Standard
- 1.Rating voltage/current: 300V/30A
- 2.withstanding voltage: AC3000V/1Min
- 3.Torque value: M3, 4.43Lb.in
- 4.Wire range: 26~10AWG

IEC Standard

- 1.1.Rating voltage/current: 750V/26A
- 2. Torque value: M3, 0.5Nm
- 3.wire range: 15-4.0mm²

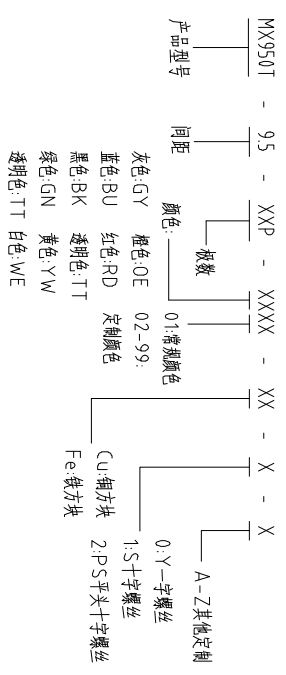
NOTES2:

- 1.Housing: PA66(UL94V-0)
- 2.Solder Pin: Copper alloy(Sn Plated)
- 3.Cage: Brass(Ni Plated)
- 4.Screw: Steel(M3,Zn Plated)

NOTES3:

- 1.Pitch: 9.5mm Poles: 02-24P
- 2.Stripping length: 8-9mm
- 3.Operating temperature: -4.0℃~+105℃
- 4.RoHS Compliance

How to order



Pitch	Range	In mm	Nominal Dimension	Range	In mm	Over	Range	In mm	Over	Range	In mm	Over	Range	In mm	Over	Range	In mm
TO	6	10	TO	30	60	TO	100	150	TO	150	TO	150	TO	150	TO	150	TO
±0.15	±0.20	±0.30	±0.30	±0.50	±0.70	±1.00	±1.30	±2°	±2°	±2°	±2°	±2°	±2°	±2°	±2°	±2°	±2°

ITEM	NAME OF PART	NO. OF PART	Q-TY	MATERIAL	NOTE
DWG	CHK	DATE	SCALE	SHEET/OF	1/1
APP	DATE	DATE	SCALE	A4	1/1
CIXI MAIXU ELECTRONICS CO.,LTD			NAME	MX950T-9.50-XXP	
慈溪市迈旭电子有限公司			DWGNO.		

X-ON Electronics

Largest Supplier of Electrical and Electronic Components

Click to view similar products for [Fixed Terminal Blocks](#) category:

Click to view products by [MAX](#) manufacturer:

Other Similar products are found below :

[MBE-1512](#) [MBE-1520](#) [MBE-154](#) [MBE-156](#) [MBES-156](#) [MH-2512](#) [MHE-132](#) [MHE-163](#) [MI-254 \(35\)](#) [MI-272](#) [MPT-275](#) [15602-04-08-21](#)
[ELM10110G](#) [BA311TU](#) [BA411SU](#) [MV-254-D](#) [MV-255](#) [MV-493](#) [MVE-252](#) [MVE-253](#) [MVEB-153](#) [1705142](#) [1712417](#) [1713088](#) [1745195](#)
[1760594](#) [1-796689-8](#) [1800114](#) [20020314-C121B01LF](#) [KP03215000J0G](#) [KP04215000J0G](#) [S451](#) [29.007](#) [29.116](#) [30.204](#) [30.503](#) [30.756](#)
[30.853](#) [996750](#) [1710052](#) [1777707](#) [1-796692-3](#) [20020316-G071B01LF](#) [20020327-C061B01LF](#) [29590](#) [30.652](#) [30.710](#) [30.754](#) [30.757](#) [32.058](#)