



DS1557

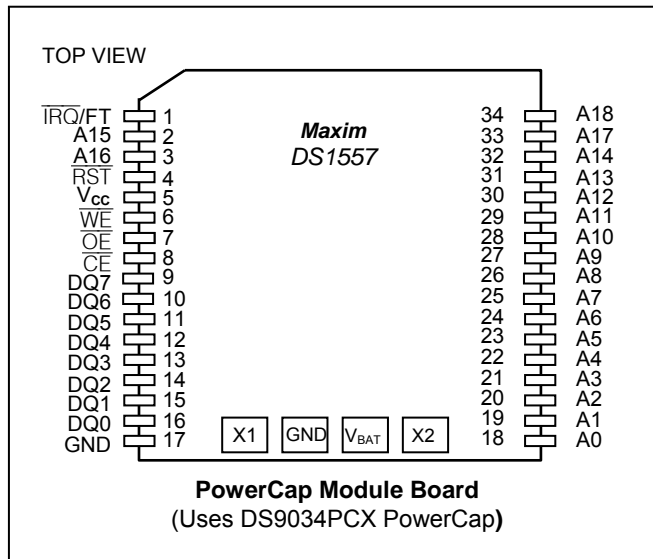
4Meg, Nonvolatile, Y2K-Compliant Timekeeping RAM

www.maxim-ic.com

FEATURES

- Integrated NV SRAM, Real-Time Clock (RTC), Crystal, Power-Fail Control Circuit, and Lithium Energy Source
- Clock Registers are Accessed Identically to the Static RAM; These Registers Reside in the 16 Top RAM Locations
- Century Byte Register (i.e., Y2K Compliant)
- Totally Nonvolatile with Over 10 Years of Operation in the Absence of Power
- Precision Power-On Reset
- Programmable Watchdog Timer and RTC Alarm
- BCD-Coded Year, Month, Date, Day, Hours, Minutes, and Seconds with Automatic Leap Year Compensation Valid Up to the Year 2100
- Battery Voltage-Level Indicator Flag
- Power-Fail Write Protection Allows for $\pm 10\%$ V_{CC} Power-Supply Tolerance
- Lithium Energy Source is Electrically Disconnected to Retain Freshness Until Power is Applied for the First Time
- Also Available in Industrial Temperature Range: -40°C to $+85^{\circ}\text{C}$

PIN CONFIGURATION



PIN DESCRIPTION

| | |
|----------------------------|---|
| A0–A18 | - Address Input |
| DQ0–DQ7 | - Data Input/Outputs |
| $\overline{\text{IRQ/FT}}$ | - Interrupt, Frequency Test Output (Open Drain) |
| $\overline{\text{RST}}$ | - Power-On Reset Output (Open Drain) |
| $\overline{\text{CE}}$ | - Chip Enable |
| $\overline{\text{OE}}$ | - Output Enable |
| $\overline{\text{WE}}$ | - Write Enable |
| V_{CC} | - Power-Supply Input |
| GND | - Ground |
| X1, X2 | - Crystal Connection |
| V_{BAT} | - Battery Connection |

Note: Some revisions of this device may incorporate deviations from published specifications known as errata. Multiple revisions of any device may be simultaneously available through various sales channels. For information about device errata, click here: www.maxim-ic.com/errata.

ORDERING INFORMATION

| PART | TEMP RANGE | VOLTAGE (V) | PIN-PACKAGE | TOP MARK** |
|------------------|----------------|-------------|--------------|------------------|
| DS1557P-70+ | 0°C to +70°C | 5.0 | 34 PowerCap* | DS1557P+70 |
| DS1557P-70IND+ | -40°C to +85°C | 5.0 | 34 PowerCap* | DS1557P+70 IND |
| DS1557WP-120+ | 0°C to +70°C | 3.3 | 34 PowerCap* | DS1557WP+120 |
| DS1557WP-120IND+ | -40°C to +85°C | 3.3 | 34 PowerCap* | DS1557WP+120 IND |

+ Denotes a lead(Pb)-free/RoHS-compliant package.

*DS9034PCX+ or DS9034I-PCX+ (PowerCap) required. Must be ordered separately.

*An "IND" on the top mark denotes an industrial temperature grade device.

DESCRIPTION

The DS1557 is a full-function, year-2000-compliant (Y2KC), real-time clock/calendar (RTC) with an RTC alarm, watchdog timer, power-on reset, battery monitor, and 512k x 8 nonvolatile static RAM. User access to all registers within the DS1557 is accomplished with a byte-wide interface as shown in Figure 1. The RTC registers contain century, year, month, date, day, hours, minutes, and seconds data in 24-hour BCD format. Corrections for day of month and leap year are made automatically.

The RTC registers are double-buffered into an internal and external set. The user has direct access to the external set. Clock/calendar updates to the external set of registers can be disabled and enabled to allow the user to access static data. Assuming the internal oscillator is turned on, the internal set of registers is continuously updated; this occurs regardless of external registers settings to guarantee that accurate RTC information is always maintained.

The DS1557 has interrupt ($\overline{\text{IRQ/FT}}$) and reset ($\overline{\text{RST}}$) outputs which can be used to control CPU activity. The $\overline{\text{IRQ/FT}}$ interrupt output can be used to generate an external interrupt when the RTC register values match user programmed alarm values. The interrupt is always available while the device is powered from the system supply and can be programmed to occur when in the battery-backed state to serve as a system wakeup. Either the $\overline{\text{IRQ/FT}}$ or $\overline{\text{RST}}$ outputs can also be used as a CPU watchdog timer, CPU activity is monitored and an interrupt or reset output will be activated if the correct activity is not detected within programmed limits. The DS1557 power-on reset can be used to detect a system power down or failure and hold the CPU in a safe reset state until normal power returns and stabilizes; the $\overline{\text{RST}}$ output is used for this function.

The DS1557 also contains its own power-fail circuitry, which automatically deselects the device when the V_{CC} supply enters an out-of-tolerance condition. This feature provides a high degree of data security during unpredictable system operation brought on by low V_{CC} levels.

Figure 1. Block Diagram

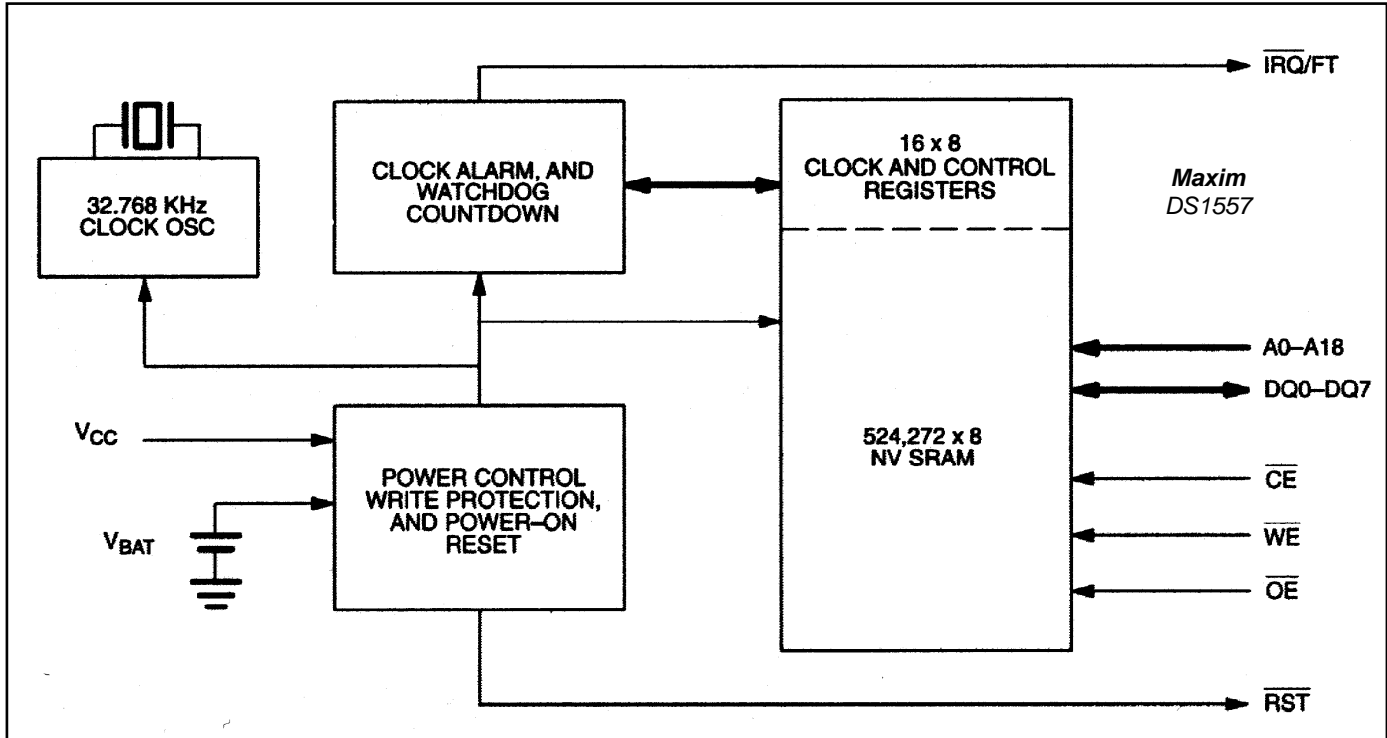


Table 1. Operating Modes

| V _{CC} | \overline{CE} | \overline{OE} | \overline{WE} | DQ0-DQ7 | MODE | POWER |
|---|-----------------|-----------------|-----------------|------------------|----------------|-----------------|
| V _{CC} > V _{PF} | V _{IH} | X | X | HIGH-Z | Deselect | Standby |
| | V _{IL} | X | V _{IL} | D _{IN} | Write | Active |
| | V _{IL} | V _{IL} | V _{IH} | D _{OUT} | Read | Active |
| | V _{IL} | V _{IH} | V _{IH} | HIGH-Z | Read | Active |
| V _{SO} < V _{CC} < V _{PF} | X | X | X | HIGH-Z | Deselect | CMOS Standby |
| V _{CC} < V _{SO} < V _{PF} | X | X | X | HIGH-Z | Data Retention | Battery Current |

DATA READ MODE

The DS1557 is in the read mode whenever \overline{CE} (chip enable) is low and \overline{WE} (write enable) is high. The device architecture allows ripple-through access to any valid address location. Valid data will be available at the DQ pins within t_{AA} after the last address input is stable, providing that \overline{CE} and \overline{OE} access times are satisfied. If \overline{CE} or \overline{OE} access times are not met, valid data will be available at the latter of chip enable access (t_{CEA}) or at output enable access time (t_{OEA}). The state of the data input/output pins (DQ) is controlled by \overline{CE} and \overline{OE} . If the outputs are activated before t_{AA} , the data lines are driven to an intermediate state until t_{AA} . If the address inputs are changed while \overline{CE} and \overline{OE} remain valid, output data will remain valid for output data hold time (t_{OH}) but will then go indeterminate until the next address access.

DATA WRITE MODE

The DS1557 is in the write mode whenever \overline{WE} and \overline{CE} are in their active state. The start of a write is referenced to the latter occurring transition of \overline{WE} or \overline{CE} . The addresses must be held valid throughout the cycle. \overline{CE} and \overline{WE} must return inactive for a minimum of t_{WR} prior to the initiation of a subsequent read or write cycle. Data in must be valid t_{DS} prior to the end of the write and remain valid for t_{DH} afterward. In a typical application, the \overline{OE} signal will be high during a write cycle. However, \overline{OE} can be active provided that care is taken with the data bus to avoid bus contention. If \overline{OE} is low prior to \overline{WE} transitioning low, the data bus can become active with read data defined by the address inputs. A low transition on \overline{WE} will then disable the outputs t_{WEZ} after \overline{WE} goes active.

DATA RETENTION MODE

The 5V device is fully accessible and data can be written and read only when V_{CC} is greater than V_{PF} . However, when V_{CC} is below the power-fail point V_{PF} (point at which write protection occurs) the internal clock registers and SRAM are blocked from any access. When V_{CC} falls below the battery switch point V_{SO} (battery supply level), device power is switched from the V_{CC} pin to the internal backup lithium battery. RTC operation and SRAM data are maintained from the battery until V_{CC} is returned to nominal levels.

The 3.3V device is fully accessible and data can be written and read only when V_{CC} is greater than V_{PF} . When V_{CC} falls below V_{PF} , access to the device is inhibited. If V_{PF} is less than V_{SO} , the device power is switched from V_{CC} to the internal backup lithium battery when V_{CC} drops below V_{PF} . If V_{PF} is greater than V_{SO} , the device power is switched from V_{CC} to the internal backup lithium battery when V_{CC} drops below V_{SO} . RTC operation and SRAM data are maintained from the battery until V_{CC} is returned to nominal levels.

All control, data, and address signals must be powered down when V_{CC} is powered down.

BATTERY LONGEVITY

The DS1557 has a lithium power source that is designed to provide energy for the clock activity, and clock and RAM data retention when the V_{CC} supply is not present. The capability of this internal power supply is sufficient to power the DS1557 continuously for the life of the equipment in which it is installed. For specification purposes, the life expectancy is 10 years at 25°C with the internal clock oscillator running in the absence of V_{CC} .

INTERNAL BATTERY MONITOR

The DS1557 constantly monitors the battery voltage of the internal battery. The Battery Low Flag (BLF) bit of the Flags Register (B4 of 7FFF0h) is not writable and should always be a 0 when read. If a 1 is ever present, an exhausted lithium energy source is indicated and both the contents of the RTC and RAM are questionable.

POWER-ON RESET

A temperature compensated comparator circuit monitors the level of V_{CC} . When V_{CC} falls to the power fail trip point, the \overline{RST} signal (open drain) is pulled low. When V_{CC} returns to nominal levels, the \overline{RST} signal continues to be pulled low for a period of 40 ms to 200 ms. The power-on reset function is independent of the RTC oscillator and thus is operational whether or not the oscillator is enabled.

CLOCK OPERATIONS

Table 2 and the following paragraphs describe the operation of RTC, alarm, and watchdog functions.

Table 2. Register Map

| ADDRESS | DATA | | | | | | | | FUNCTION/RANGE | |
|---------|-------------------------|----------------|----------------|----------------|----------------|----------------|----------------|----------------|----------------|-------|
| | B ₇ | B ₆ | B ₅ | B ₄ | B ₃ | B ₂ | B ₁ | B ₀ | | |
| 7FFFh | 10 Year | | | | Year | | | | Year | 00-99 |
| 7FFEh | X | X | X | 10 Month | Month | | | | Month | 01-12 |
| 7FFDh | X | X | 10 Date | | Date | | | | Date | 01-31 |
| 7FFCh | X | FT | X | X | X | Day | | | Day | 01-07 |
| 7FFBh | X | X | 10 Hour | | Hour | | | | Hour | 00-23 |
| 7FFAh | X | 10 Minutes | | | Minutes | | | | Minutes | 00-59 |
| 7FF9h | $\overline{\text{OSC}}$ | 10 Seconds | | | Seconds | | | | Seconds | 00-59 |
| 7FF8h | W | R | 10 Century | | Century | | | | Control | 00-39 |
| 7FF7h | WDS | BMB4 | BMB3 | BMB2 | BMB1 | BMB0 | RB1 | RB0 | Watchdog | |
| 7FF6h | AE | Y | Abe | Y | Y | Y | Y | Y | Interrupts | |
| 7FF5h | AM4 | Y | 10 Date | | Date | | | | Alarm Date | 01-31 |
| 7FF4h | AM3 | Y | 10 Hours | | Hours | | | | Alarm Hours | 00-23 |
| 7FF3h | AM2 | 10 Minutes | | | Minutes | | | | Alarm Minutes | 00-59 |
| 7FF2h | AM1 | 10 Seconds | | | Seconds | | | | Alarm Seconds | 00-59 |
| 7FF1h | Y | Y | Y | Y | Y | Y | Y | Y | Unused | |
| 7FF0h | WF | AF | 0 | BLF | 0 | 0 | 0 | 0 | Flags | |

X = Unused, Read/Writeable Under Write and Read Bit Control

Y = Unused, Read/Writeable Without Write and Read Bit Control

$\overline{\text{OSC}}$ = Oscillator Start/Stop Bit

W = Write Bit

R = Read Bit

WDS = Watchdog Steering Bit

BMB0 to BMB4 = Watchdog Multiplier Bits

RB0 to RB1 = Watchdog Resolution Bits

AE = Alarm Flag Enable

FT = Frequency Test Bit

ABE = Alarm in Battery-BackUp Mode Enable

AM1 to AM4 = Alarm Mask Bits

WF = Watchdog Flag

AF = Alarm Flag

0 = 0 (Read Only)

BLF = Battery Low Flag

CLOCK OSCILLATOR CONTROL

The clock oscillator may be stopped at any time. To increase the shelf life of the backup lithium battery source, the oscillator can be turned off to minimize current drain from the battery. The $\overline{\text{OSC}}$ bit is the MSB of the Seconds Register (B7 of 7FFF9h). Setting it to a 1 stops the oscillator, setting to a 0 starts the oscillator. The DS1557 is shipped from Maxim with the clock oscillator turned off, $\overline{\text{OSC}}$ bit set to a 1.

READING THE CLOCK

When reading the RTC data, it is recommended to halt updates to the external set of double-buffered RTC Registers. This puts the external registers into a static state allowing data to be read without register values changing during the read process. Normal updates to the internal registers continue while in this state. External updates are halted when a 1 is written into the read bit, B6 of the Control Register (7FFF8h). As long as a 1 remains in the Control Register read bit, updating is halted. After a halt is issued, the registers reflect the RTC count (day, date, and time) that was current at the moment the halt command was issued. Normal updates to the external set of registers will resume within 1 second after the read bit is set to a 0 for a minimum of 500 μs . The read bit must be a zero for a minimum of 500 μs to ensure the external registers will be updated.

SETTING THE CLOCK

The MSB bit, B7, of the Control Register is the write bit. Setting the write bit to a 1, like the read bit, halts updates to the DS1557 (7FFF8h-7FFFFh) registers. After setting the write bit to a 1, RTC registers can be loaded with the desired RTC count (day, date, and time) in 24-hour BCD format. Setting the write bit to a 0 then transfers the values written to the internal RTC registers and allows normal operation to resume.

CLOCK ACCURACY

The DS1557 and DS9034PCX are each individually tested for accuracy. Once mounted together, the module will typically keep time accuracy to within ± 1.53 minutes per month (35 ppm) at 25°C and does not require additional calibration. For this reason, methods of field clock calibration are not available and not necessary. The electrical environment also affects clock accuracy and caution should be taken to place the RTC in the lowest-level EMI section of the PC board layout. For additional information, refer to Application Note 58.

FREQUENCY TEST MODE

The DS1557 frequency test mode uses the open drain $\overline{\text{IRQ/FT}}$ output. With the oscillator running, the $\overline{\text{IRQ/FT}}$ output will toggle at 512 Hz when the FT bit is a 1, the Alarm Flag Enable bit (AE) is a 0, and the Watchdog Steering bit (WDS) is a 1 or the Watchdog Register is reset (Register 7FFF7h = 00h). The $\overline{\text{IRQ/FT}}$ output and the frequency test mode can be used as a measure of the actual frequency of the 32.768kHz RTC oscillator. The $\overline{\text{IRQ/FT}}$ pin is an open-drain output that requires a pullup resistor for proper operation. The FT bit is cleared to a 0 on power-up.

USING THE CLOCK ALARM

The alarm settings and control for the DS1557 reside within Registers 7FFF2h-7FFF5h. Register 7FFF6h contains two alarm enable bits: Alarm Enable (AE) and Alarm in Backup Enable (ABE). The AE and ABE bits must be set as described below for the $\overline{\text{IRQ/FT}}$ output to be activated for a matched alarm condition.

The alarm can be programmed to activate on a specific day of the month or repeat every day, hour, minute, or second. It can also be programmed to go off while the DS1557 is in the battery-backed state of operation to serve as a system wakeup. Alarm mask bits AM1 to AM4 control the alarm mode. Table 3 shows the possible settings. Configurations not listed in the table default to the once per second mode to notify the user of an incorrect alarm setting.

Table 3. Alarm Mask Bits

| AM4 | AM3 | AM2 | AM1 | ALARM RATE |
|-----|-----|-----|-----|--|
| 1 | 1 | 1 | 1 | Once per second |
| 1 | 1 | 1 | 0 | When seconds match |
| 1 | 1 | 0 | 0 | When minutes and seconds match |
| 1 | 0 | 0 | 0 | When hours, minutes, and seconds match |
| 0 | 0 | 0 | 0 | When date, hours, minutes, and seconds match |

When the RTC Register values match Alarm Register settings, the Alarm Flag bit (AF) is set to a 1. If Alarm Flag Enable (AE) is also set to a 1, the alarm condition activates the $\overline{\text{IRQ/FT}}$ pin. The $\overline{\text{IRQ/FT}}$ signal is cleared by a read or write to the Flags Register (Address 7FFF0h) as shown in Figure 2 and 3. When $\overline{\text{CE}}$ is active, the $\overline{\text{IRQ/FT}}$ signal may be cleared by having the address stable for as short as 15 ns and either $\overline{\text{OE}}$ or $\overline{\text{WE}}$ active, but is not guaranteed to be cleared unless t_{RC} is fulfilled. The alarm flag is also cleared by a read or write to the Flags Register but the flag will not change states until the end of the read/write cycle and the $\overline{\text{IRQ/FT}}$ signal has been cleared.

Figure 2. Clearing $\overline{\text{IRQ}}$ Waveforms

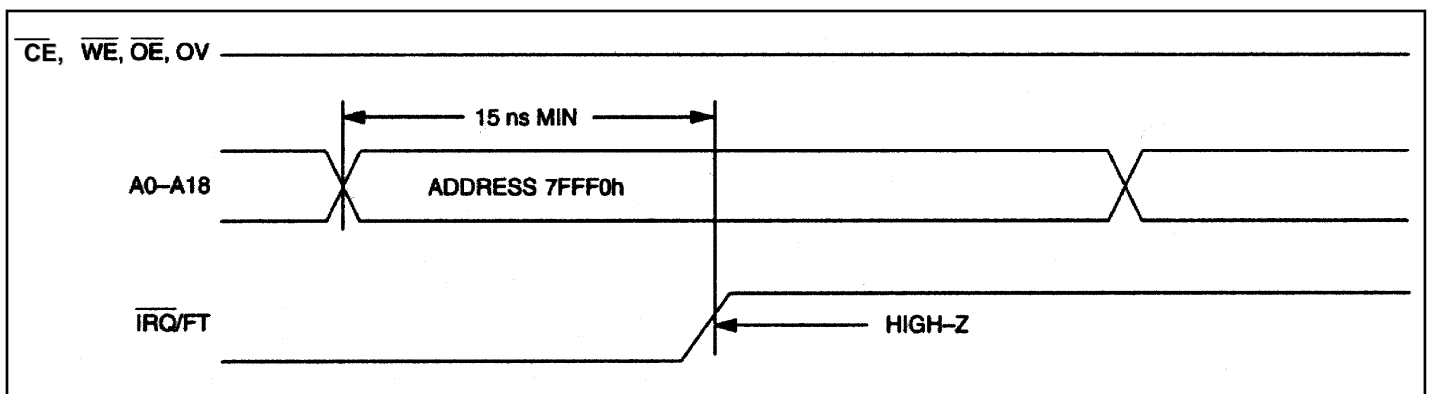
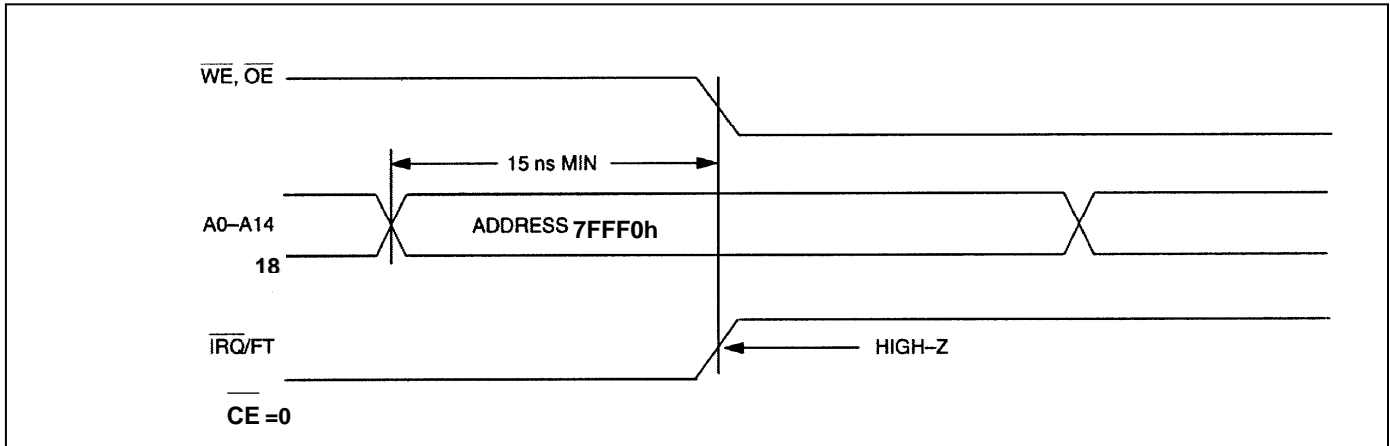
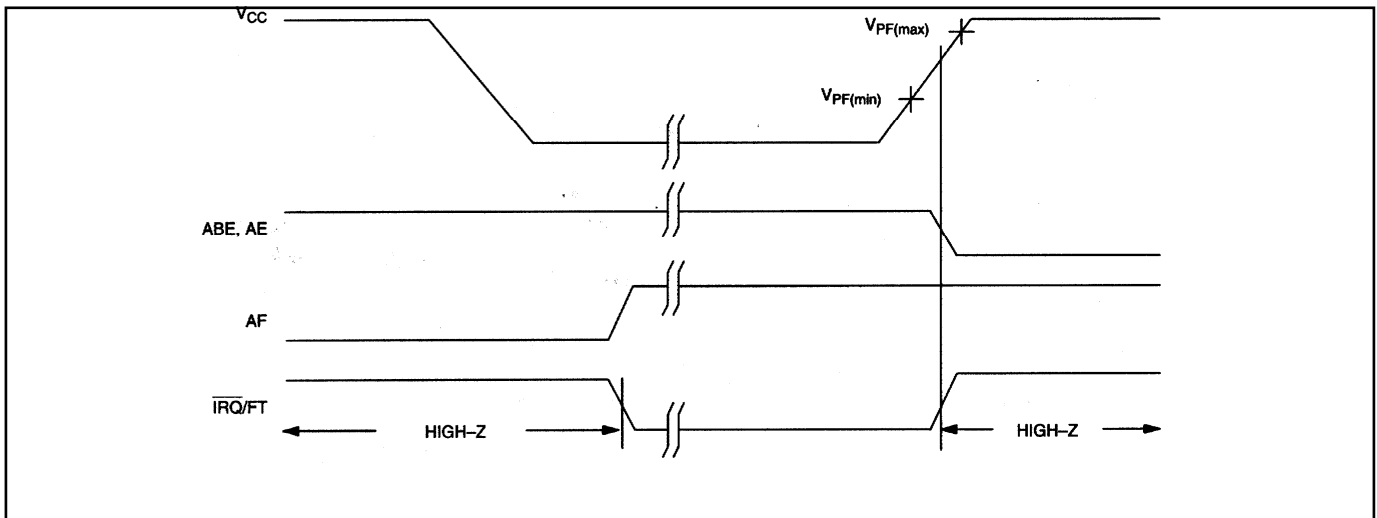


Figure 3. Clearing $\overline{\text{IRQ}}$ Waveforms

The $\overline{\text{IRQ/FT}}$ pin can also be activated in the battery-backed mode. The $\overline{\text{IRQ/FT}}$ will go low if an alarm occurs and both ABE and AE are set. The ABE and AE bits are cleared during the power-up transition, however an alarm generated during power-up will set AF. Therefore, the AF bit can be read after system power-up to determine if an alarm was generated during the power-up sequence. Figure 4 illustrates alarm timing during the battery-backup mode and power-up states.

Figure 4. Backup Mode Alarm Waveforms

USING THE WATCHDOG TIMER

The watchdog timer can be used to detect an out-of-control processor. The user programs the watchdog timer by setting the desired amount of timeout into the 8-bit Watchdog Register (Address 7FFF7h). The five Watchdog Register bits BMB4 to BMB0 store a binary multiplier and the two lower order bits RB1 to RB0 select the resolution, where 00=1/16 second, 01=1/4 second, 10=1 second, and 11=4 seconds. The watchdog time-out value is then determined by the multiplication of the 5-bit multiplier value with the 2-bit resolution value. (For example: writing 00001110 in the Watchdog Register = 3 X 1 second or 3 seconds.) If the processor does not reset the timer within the specified period, the Watchdog Flag (WF) is set and a processor interrupt is generated and stays active until either the Watchdog Flag (WF) is read or the Watchdog Register (7FFF7h) is read or written.

The most significant bit of the Watchdog Register is the Watchdog Steering Bit (WDS). When set to a 0, the watchdog will activate the $\overline{\text{IRQ}}/\text{FT}$ output when the watchdog times out.

When WDS is set to a 1, the watchdog will output a negative pulse on the $\overline{\text{RST}}$ output for a duration of 40 ms to 200 ms. The Watchdog Register (7FFF7h) and the FT bit will reset to a 0 at the end of a watchdog timeout when the WDS bit is set to a 1.

The watchdog timer resets when the processor performs a read or write of the Watchdog Register. The timeout period then starts over. Writing a value of 00h to the Watchdog Register disables the watchdog timer. The watchdog function is automatically disabled upon power-up and the Watchdog Register is cleared. If the watchdog function is set to output to the $\overline{\text{IRQ}}/\text{FT}$ output and the frequency test function is activated, the watchdog function prevails and the frequency test function is denied.

POWER-ON DEFAULT STATES

Upon application of power to the device, the following register bits are set to a 0:
WDS = 0, BMB0 to BMB4 = 0, RB0 to RB1 = 0, AE = 0, ABE = 0.

ABSOLUTE MAXIMUM RATINGS

| | |
|--|-----------------|
| Voltage Range on Any Pin Relative to Ground..... | -0.3V to +6.0V |
| Storage Temperature Range..... | -55°C to +125°C |
| Lead Temperature (soldering, 10s)..... | +260°C |
| Soldering Temperature (reflow)..... | +260°C |

This is a stress rating only and functional operation of the device at these or any other conditions above those indicated in the operation sections of this specification is not implied. Exposure to absolute maximum rating conditions for extended periods of time may affect reliability.

OPERATING RANGE

| RANGE | TEMP RANGE | V _{CC} |
|------------|----------------|----------------------|
| Commercial | 0°C to +70°C | 3.3V ±10% or 5V ±10% |
| Industrial | -40°C to +85°C | 3.3V ±10% or 5V ±10% |

RECOMMENDED DC OPERATING CONDITIONS

(T_A = Over the Operating Range)

| PARAMETER | SYMBOL | CONDITIONS | MIN | TYP | MAX | UNITS |
|--|-----------------|-----------------------------|------|-----|---------------------------|-------|
| Logic 1 Voltage All Inputs (Note 1) | V _{IH} | V _{CC} = 5V ±10% | 2.2 | | V _{CC} + 0.3V | V |
| | V _{IH} | V _{CC} = 3.3V ±10% | 2.0 | | V _{CC} + 0.3V | V |
| Logic 0 Voltage All Inputs (Note 1) | V _{IL} | V _{CC} = 5V ±10% | -0.3 | | +0.8 | |
| | V _{IL} | V _{CC} = 3.3V ±10% | -0.3 | | +0.6 | |

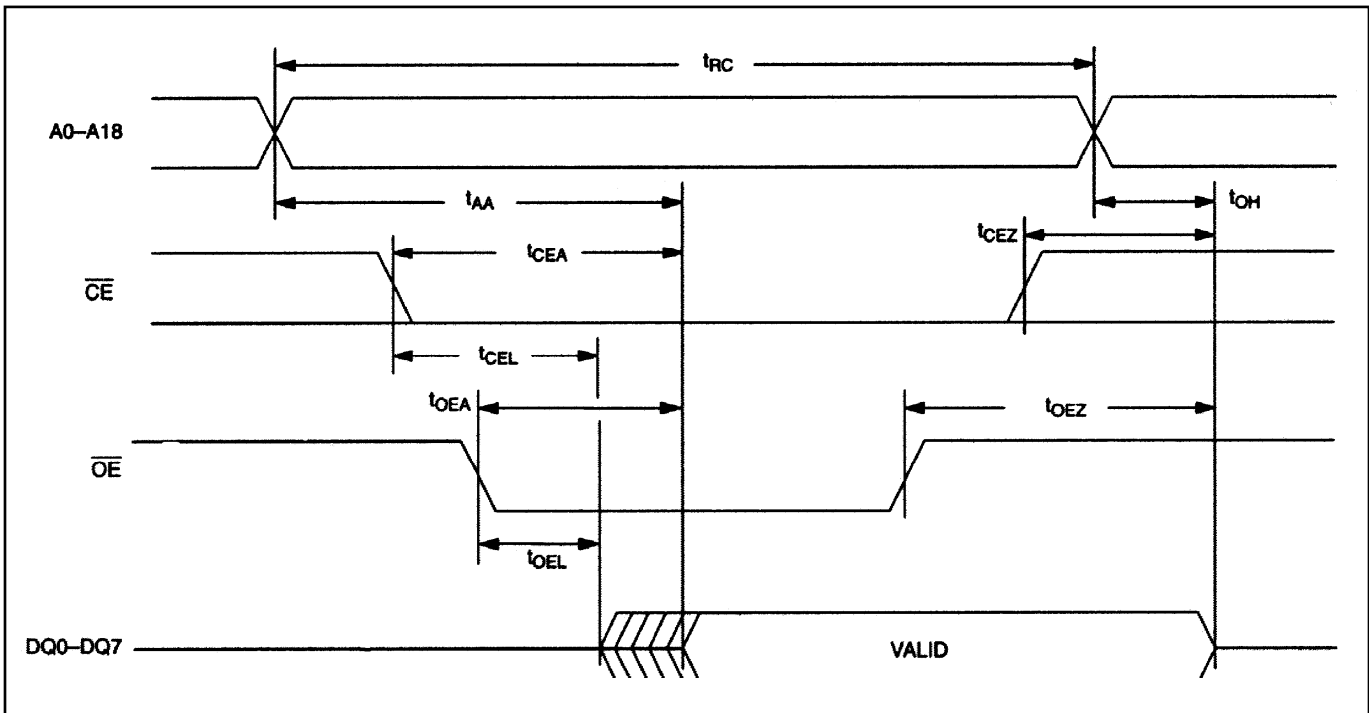
DC ELECTRICAL CHARACTERISTICS

(V_{CC} = 5.0V ±10%, T_A = Over the Operating Range.)

| PARAMETER | SYMBOL | CONDITIONS | MIN | TYP | MAX | UNITS |
|--|------------------|---|------|------------------|------|-------|
| Active Supply Current | I _{CC} | (Notes 2, 3, 11) | | 45 | 90 | mA |
| TTL Standby Current ($\overline{CE} = V_{IH}$) | I _{CC1} | (Notes 2, 3) | | 3 | 6 | mA |
| CMOS Standby Current ($\overline{CE} \geq V_{CC} - 0.2V$) | I _{CC2} | (Notes 2, 3) | | 2 | 6 | mA |
| Input Leakage Current (Any Input) | I _{IL} | | -1 | | +1 | μA |
| Output Leakage Current (Any Output) | I _{OL} | | -1 | | +1 | μA |
| Output Logic 1 Voltage (I _{OUT} = -1.0 mA) | V _{OH} | (Note 1) | 2.4 | | | V |
| Output Logic 0 Voltage | V _{OL1} | I _{OUT} = 2.1 mA, DQ0–7 Outputs (Note 1) | | | 0.4 | V |
| | V _{OL2} | I _{OUT} = 7.0 mA, $\overline{IRQ/FT}$, and \overline{RST} Outputs (Notes 1, 5) | | | 0.4 | V |
| Write Protection Voltage | V _{PF} | (Note 1) | 4.20 | | 4.50 | V |
| Battery Switchover Voltage | V _{SO} | (Notes 1, 4) | | V _{BAT} | | V |

DC ELECTRICAL CHARACTERISTICS $(V_{CC} = 3.3V \pm 10\%, T_A = \text{Over the Operating Range.})$

| PARAMETER | SYMBOL | CONDITIONS | MIN | TYP | MAX | UNITS |
|--|-----------|---|------|-----------------------------|------|---------|
| Active Supply Current | I_{CC} | (Notes 2, 3, 11) | | 20 | 30 | mA |
| TTL Standby Current ($\overline{CE} = V_{IH}$) | I_{CC1} | (Notes 2, 3) | | 2 | 6 | mA |
| CMOS Standby Current ($\overline{CE} \geq V_{CC} - 0.2V$) | I_{CC2} | (Notes 2, 3) | | 1 | 4 | mA |
| Input Leakage Current (Any Input) | I_{IL} | | -1 | | +1 | μA |
| Output Leakage Current (Any Output) | I_{OL} | | -1 | | +1 | μA |
| Output Logic 1 Voltage ($I_{OUT} = -1.0 \text{ mA}$) | V_{OH} | (Note 1) | 2.4 | | | V |
| Output Logic 0 Voltage | V_{OL1} | $I_{OUT} = 2.1 \text{ mA}$, DQ0-7 Outputs (Note 1) | | | 0.4 | V |
| | V_{OL2} | $I_{OUT} = 7.0 \text{ mA}$, $\overline{IRQ}/\overline{FT}$ and \overline{RST} Outputs (Notes 1, 5) | | | 0.4 | V |
| Write Protection Voltage | V_{PF} | (Note 1) | 2.75 | | 2.97 | V |
| Battery Switchover Voltage | V_{SO} | (Notes 1, 4) | | V_{BAT} OR V_{PF} | | V |

Figure 5. Read Cycle Timing Diagram

AC CHARACTERISTICS—READ CYCLE(T_A = Over the Operating Range)

| PARAMETER | SYMBOL | V _{CC} = 5.0V ±10% | | V _{CC} = 3.3V ±10% | | UNITS |
|--------------------------------------|------------------|-----------------------------|-----|-----------------------------|-----|-------|
| | | MIN | MAX | MIN | MAX | |
| Read Cycle Time | t _{RC} | 70 | | 120 | | ns |
| Address Access Time | t _{AA} | | 70 | | 120 | ns |
| $\overline{\text{CE}}$ to DQ Low-Z | t _{CEL} | 5 | | 5 | | ns |
| $\overline{\text{CE}}$ Access Time | t _{CEA} | | 70 | | 120 | ns |
| $\overline{\text{CE}}$ Data Off Time | t _{CEZ} | | 25 | | 40 | ns |
| $\overline{\text{OE}}$ to DQ Low-Z | t _{OEL} | 5 | | 5 | | ns |
| $\overline{\text{OE}}$ Access Time | t _{OEA} | | 35 | | 100 | ns |
| $\overline{\text{OE}}$ Data Off Time | t _{OEZ} | | 25 | | 35 | ns |
| Output Hold from Address | t _{OH} | 5 | | 5 | | ns |

AC CHARACTERISTICS—WRITE CYCLE(T_A = Over the Operating Range)

| PARAMETER | SYMBOL | V _{CC} = 5.0V ±10% | | V _{CC} = 3.3V ±10% | | UNITS |
|--------------------------------------|------------------|-----------------------------|-----|-----------------------------|-----|-------|
| | | MIN | MAX | MIN | MAX | |
| Write Cycle Time | t _{WC} | 70 | | 120 | | ns |
| Address Access Time | t _{AS} | 0 | | 0 | | ns |
| $\overline{\text{WE}}$ Pulse Width | t _{WEW} | 50 | | 100 | | ns |
| $\overline{\text{CE}}$ Pulse Width | t _{CEW} | 60 | | 110 | | ns |
| Data Setup Time | t _{DS} | 30 | | 80 | | ns |
| Data Hold Time (Note 9) | t _{DH1} | 5 | | 5 | | ns |
| Data Hold Time (Note 10) | t _{DH2} | 5 | | 5 | | ns |
| Address Hold Time (Note 9) | t _{AH1} | 5 | | 0 | | ns |
| Address Hold Time (Note 10) | t _{AH2} | 5 | | 5 | | ns |
| $\overline{\text{WE}}$ Data Off Time | t _{WEZ} | | 25 | | 40 | ns |
| Write Recovery Time | t _{WR} | 5 | | 10 | | ns |

Figure 6. Write Cycle Timing, Write-Enable Controlled

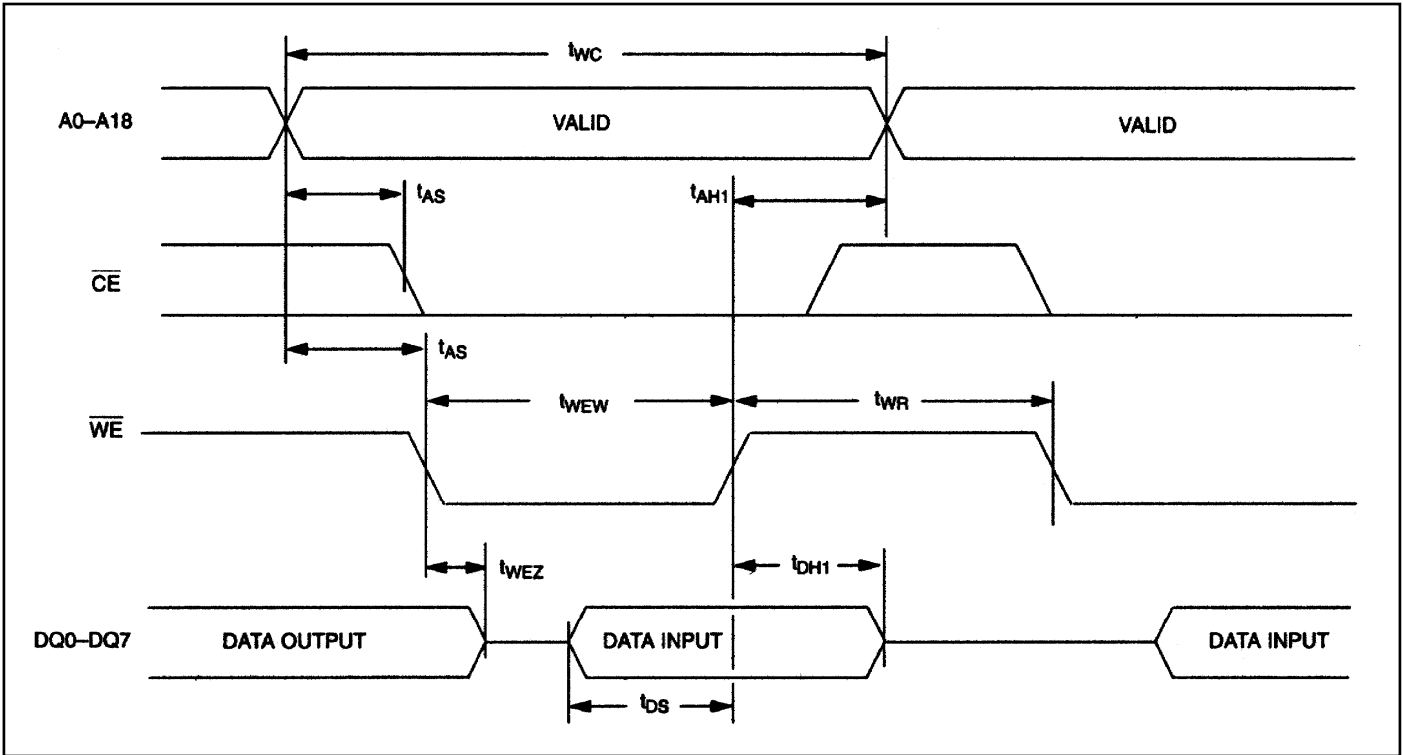
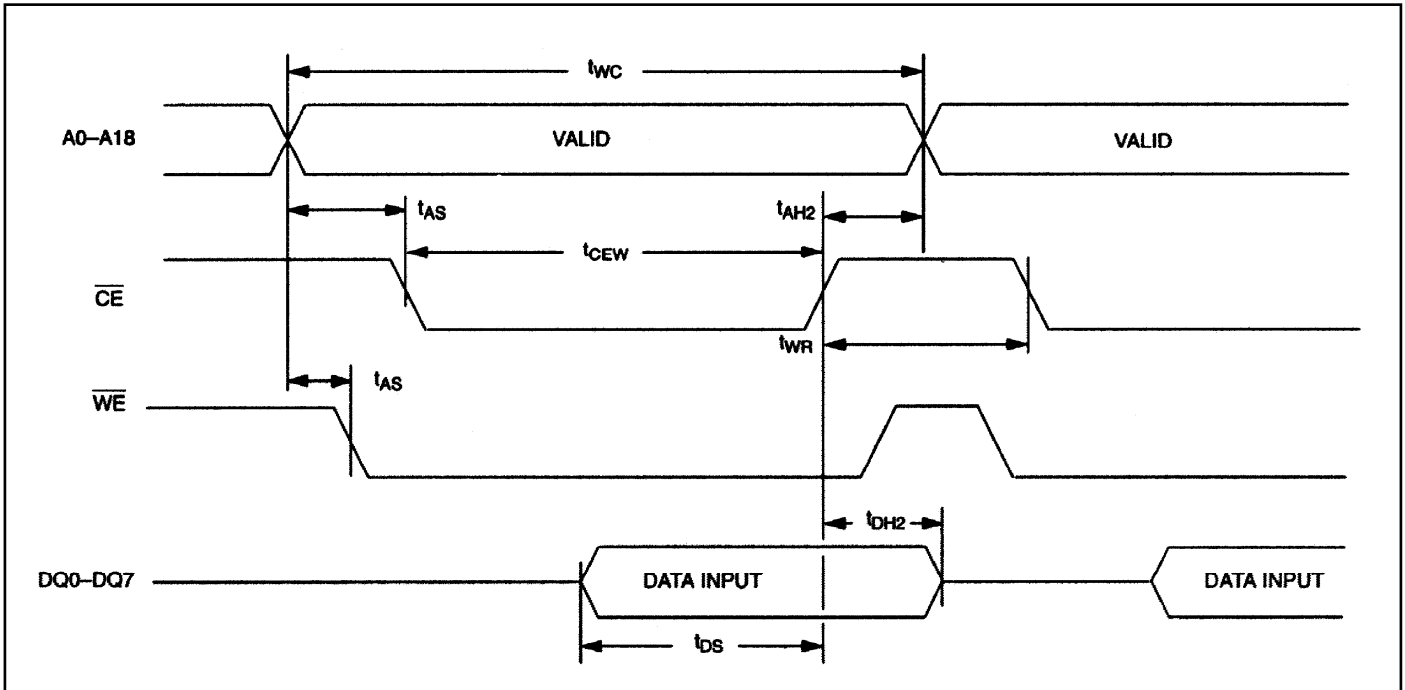


Figure 7. Write Cycle Timing, Chip-Enable Controlled

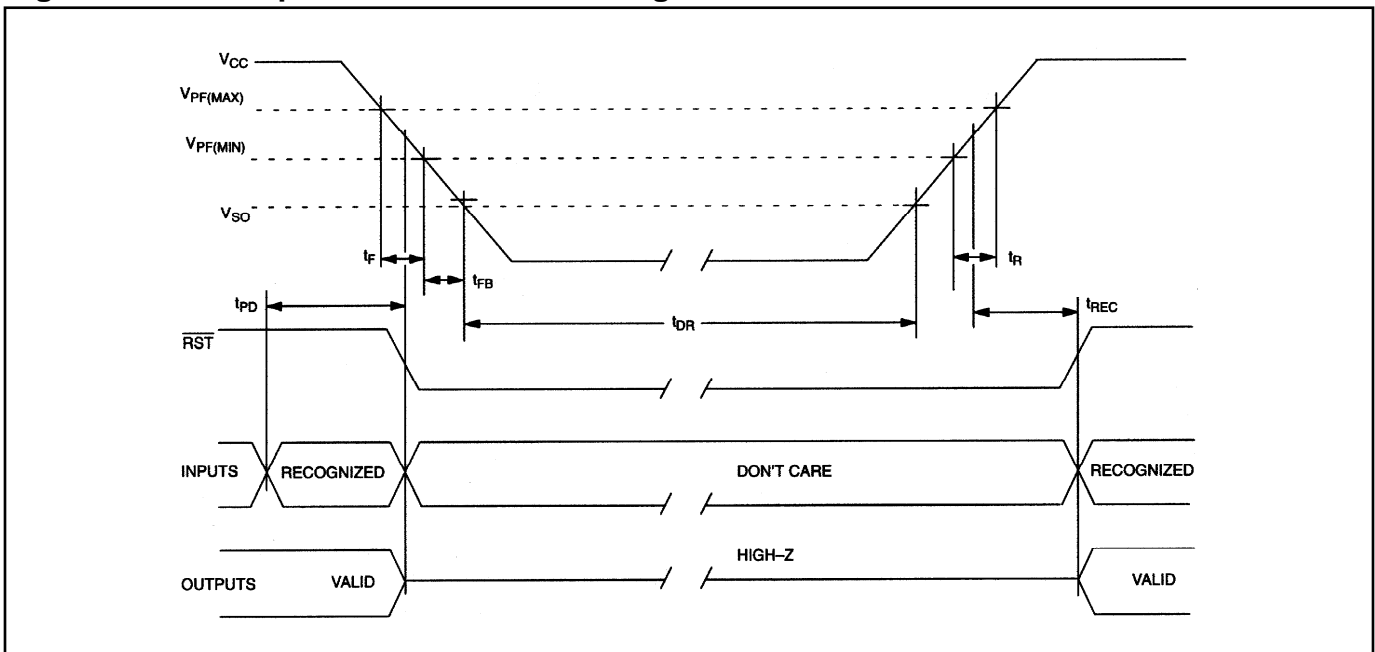


POWER-UP/DOWN CHARACTERISTICS—5V

($V_{CC} = 5.0V \pm 10\%$, $T_A =$ Over the Operating Range.)

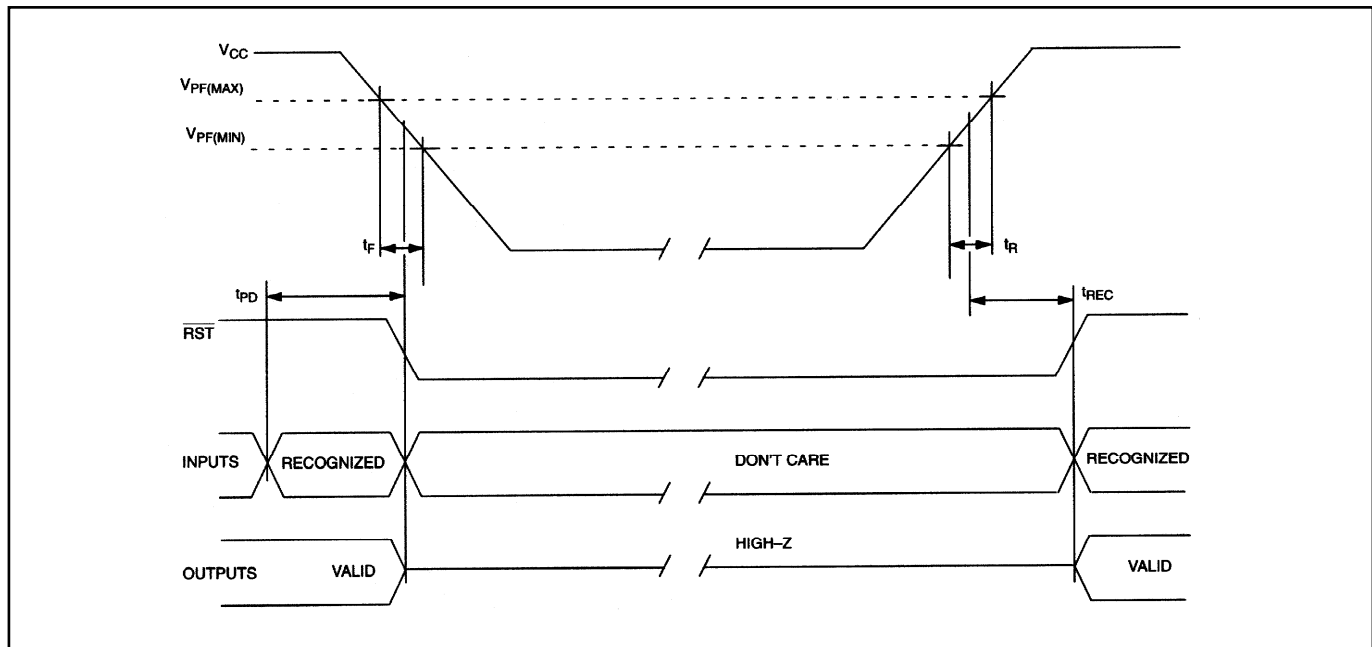
| PARAMETER | SYMBOL | CONDITIONS | MIN | TYP | MAX | UNITS |
|--|-----------|------------|-----|-----|-----|---------|
| \overline{CE} or \overline{WE} at V_{IH} , Before Power-Down | t_{PD} | | 0 | | | μs |
| V_{CC} Fall Time: $V_{PF(MAX)}$ to $V_{PF(MIN)}$ | t_F | | 300 | | | μs |
| V_{CC} Fall Time: $V_{PF(MIN)}$ to V_{SO} | t_{FB} | | 10 | | | μs |
| V_{CC} Rise Time: $V_{PF(MIN)}$ to $V_{PF(MAX)}$ | t_R | | 0 | | | μs |
| V_{PF} to \overline{RST} High | t_{REC} | | 40 | | 200 | ms |
| Expected Data-Retention Time (Oscillator On) | t_{DR} | (Note 6) | 10 | | | years |

Figure 8. Power-Up/Down Waveform Timing—5V Device



POWER-UP/DOWN CHARACTERISTICS—3.3V $(V_{CC} = 3.3V \pm 10\%, T_A = \text{Over the Operating Range.})$

| PARAMETER | SYMBOL | CONDITIONS | MIN | TYP | MAX | UNITS |
|--|-----------|------------|-----|-----|-----|---------|
| \overline{CE} or \overline{WE} at V_{IH} , Before Power-Down | t_{PD} | | 0 | | | μs |
| V_{CC} Fall Time: $V_{PF(MAX)}$ to $V_{PF(MIN)}$ | t_F | | 300 | | | μs |
| V_{CC} Rise Time: $V_{PF(MIN)}$ to $V_{PF(MAX)}$ | t_R | | 0 | | | μs |
| V_{PF} to \overline{RST} High | t_{REC} | | 40 | | 200 | ms |
| Expected Data-Retention Time (Oscillator On) | t_{DR} | (Note 6) | 10 | | | years |

Figure 9. Power-Up/Down Waveform Timing—3.3V Device**CAPACITANCE** $(T_A = +25^\circ C)$

| PARAMETER | SYMBOL | CONDITIONS | MIN | TYP | MAX | UNITS |
|---|----------|------------|-----|-----|-----|-------|
| Capacitance on All Input Pins | C_{IN} | (Note 1) | | | 14 | pF |
| Capacitance on $\overline{IRQ/FT}$, \overline{RST} , and DQ Pins | C_{IO} | (Note 1) | | | 10 | pF |

AC TEST CONDITIONS

Output Load: 50 pF + 1TTL Gate

Input Pulse Levels: 0 to 3.0V

Timing Measurement Reference Levels:

Input: 1.5V

Output: 1.5V

Input Pulse Rise and Fall Times: 5 ns

NOTES:

- 1) Voltage referenced to ground.
- 2) Typical values are at 25°C and nominal supplies.
- 3) Outputs are open.
- 4) Battery switchover occurs at the lower of either the battery voltage or V_{PF} .
- 5) The $\overline{IRQ/FT}$ and \overline{RST} outputs are open drain.
- 6) Data-retention time is at +25°C.
- 7) Maxim recommends that PowerCap Module bases experience one pass through solder reflow oriented with the label side up (“live-bug”).
- 8) Hand soldering and touch-up: Do not touch or apply the soldering iron to leads for more than 3 seconds. To solder, apply flux to the pad, heat the lead frame pad, and apply solder. To remove the part, apply flux, heat the lead frame pad until the solder reflow, and use a solder wick to remove solder.
- 9) t_{AH1} , t_{DH1} are measured from \overline{WE} going high.
- 10) t_{AH2} , t_{DH2} are measured from \overline{CE} going high.
- 11) $t_{WC} = 200\text{ns}$.

PACKAGE INFORMATION

For the latest package outline information and land patterns, go to www.maxim-ic.com/packages. Note that a “+”, “#”, or “-” in the package code indicates RoHS status only. Package drawings may show a different suffix character, but the drawing pertains to the package regardless of RoHS status.

| PACKAGE TYPE | PACKAGE CODE | OUTLINE NO. | LAND PATTERN NO. |
|--------------|--------------|-------------------------|------------------|
| 34 PWRCP | PC2+1 | 21-0246 | — |

REVISION HISTORY

| REVISION DATE | DESCRIPTION | PAGES CHANGED |
|----------------------|--|----------------------|
| 9/10 | Updated the <i>Ordering Information</i> table to include only lead-free parts; updated the storage temperature range and soldering temperature and added the lead temperature to the <i>Absolute Maximum Ratings</i> section; added Note 11 to the I_{CC} parameter in the <i>DC Electrical Characteristics</i> tables (for 5.0V and 3.3V) and the <i>Notes</i> section; replaced the package outline drawings with the <i>Package Information</i> table | 2, 10, 11, 16 |

X-ON Electronics

Largest Supplier of Electrical and Electronic Components

Click to view similar products for [Real Time Clock](#) category:

Click to view products by [Maxim](#) manufacturer:

Other Similar products are found below :

[DS1302Z-LF](#) [710029X](#) [879047C](#) [405800G](#) [PT7C43390LE](#) [RV-3029-C2-32.768k-OPTION-B-TB-QA](#) [RV-2123-C2-32.768k-20PPM-TA-QA](#) [RV-3029-C2-32.768k-OPTION-A-TB-QA](#) [PT7C4563UEX](#) [RV-1805-C3-32.768k-2PPM-TA-QA](#) [RV-3029-C3-32.768k-OPTION-A-TB-QA](#) [RV-2123-C2-32.768kHz-20PPM-TA-QC](#) [RX-4035LC:B3 PURE SN](#) [RX-8564LC:B PURE SN](#) [RX-8803LCUB PURE SN BULK](#) [BQ32002D](#) [RTC-8564JE](#) [MCP7940M-I/P](#) [DS3231SN#T&R](#) [DS1391U-18+](#) [DS1347T+T&R](#) [RX-8564LC:B3 PURE SN](#) [DS1338Z-33+T](#) [RX-4571SA:B3 PURE SN](#) [DS1340U-33+T&R](#) [RX-8571LC:B3 PURE SN](#) [PCF8583T/5.518](#) [S-35190A-J8T1U](#) [RTC-4543SAB](#) [RX-8803LC:UB3 PURE SN](#) [S-35390A-T8T1](#) [AB1815-T3](#) [AB-RTCMC-32.768kHz-AIGZ-S7-T](#) [AB-RTCMC-32.768kHz-B5GA-S3-T](#) [AB-RTCMC-32.768kHz-B5ZE-S3-T](#) [AB-RTCMC-32.768kHz-EOA9-S3-D-B-T](#) [AB-RTCMC-32.768kHz-EOZ9-S3-D-B-T](#) [AB-RTCMC-32.768KHZ-EOZ9-S3-HAT](#) [AB-RTCMC-32.768KHZ-IBO5-S3-T](#) [AB-RTCMC-32.768kHz-ZIZE-S2-T](#) [DS1672U-33+](#) [DS1337U+T&R](#) [DS1339AU+](#) [FM33256B-G](#) [DS1673E-5-LF](#) [DS1672U-3+](#) [DS1672U-33+T&R](#) [HYM1307N](#) [HYM1302](#) [HYM1302N](#)