

FEATURES

- Empty stainless steel F5 MicroCan with opening in rear and solder tabs
- Acts as a touch contact for remotely located 1-Wire™ devices
- Together with DS2404S-C01 makes complex functions involving microcontrollers behave as if they were iButtons
- DS9092R for DS9100-based iButton probes
- DS9092RG grooved version for Blue Dot Receptors

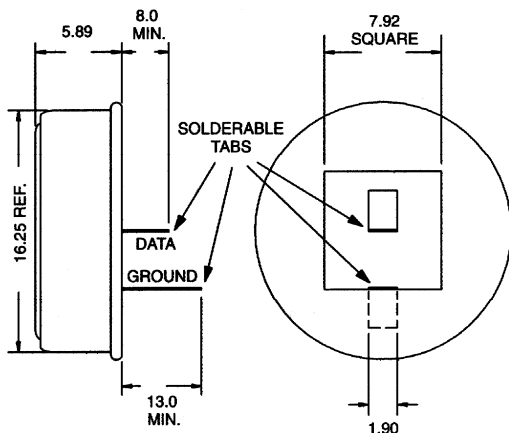
ORDERING INFORMATION

DS9092R+ Tabbed F5 MicroCan

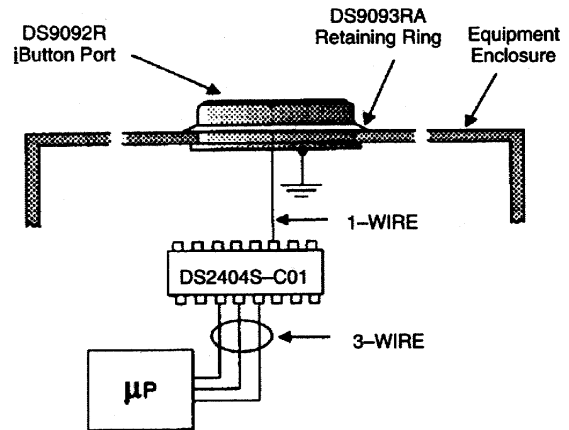
DS9092RG+ Tabbed F5 MicroCan with groove

+Denotes a lead(Pb)-free/RoHS-compliant product.

DS9092R Tabbed MicroCan

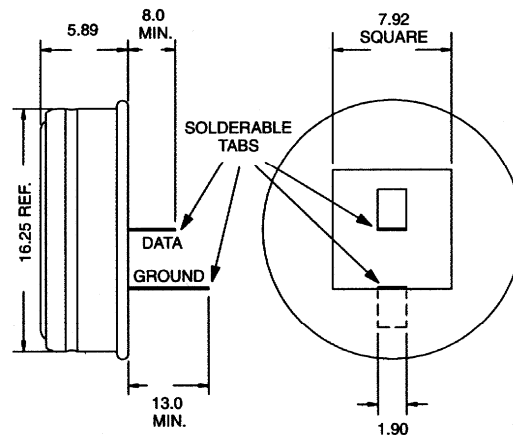


APPLICATION



Equipment fitted with 1-Wire button contact.

DS9092RG Tabbed MicroCan with Groove



All dimensions are shown in millimeters.

DESCRIPTION

The DS9092R iButton Port provides the electrical contact necessary for mating remotely located iButtons or other 1-Wire MicroLAN devices with reader/writers. The iButton port is available with groove (DS9092RG) and without (DS9092R). For applications where only a touch contact is needed either version will perform well. For dwelled-contact applications the DS9092R (without groove) is the preferred choice for use with the DS1402BP/DS1402RP MicroLAN cables. The grooved DS9092RG works best with the DS1402D-type cables featuring a Blue Dot Receptor.

REVISION HISTORY

REVISION DATE	DESCRIPTION	PAGES CHANGED
8/09	Added plus signs (+) to all the part numbers in the <i>Ordering Information</i> table.	1

X-ON Electronics

Largest Supplier of Electrical and Electronic Components

Click to view similar products for [iButtons & Accessories](#) category:

Click to view products by [Maxim](#) manufacturer:

Other Similar products are found below :

[DS9094F+](#) [DS9092+](#) [DS9092L+](#) [DS9093A+](#) [DS9093AB+](#) [DS9093AG+](#) [DS9093AY+](#) [DS9093S+](#) [DS9094FS+](#) [DS9098P-TRL+](#) [DS9100-](#)
[B+](#) [DS9100-C+](#) [DS9106L-0G0+](#) [DS9106L-GN0](#) [DS9093AR+](#) [DS9105-00C#](#)