

MAX11905 Evaluation Kit

Evaluates: **MAX11900/MAX11901/
MAX11902/MAX11903/
MAX11904/MAX11905**

General Description

The MAX11905 evaluation kit (EV kit) demonstrates the MAX11905, 20-bit, 1.6MSPS, single-channel, fully differential SAR ADC with internal reference buffers. The EV kit includes a graphical user interface (GUI) that provides communication from the Avnet ZedBoard™ development board for the Xilinx® Zynq®-7000 SoC.

The ZedBoard communicates with the PC through an Ethernet cable using Windows XP®, Windows Vista®, Windows® 7-, or Windows 8/8.1-compatible software.

The EV kit comes with the MAX11905ETP+ installed.

Please contact the factory for the pin-compatible MAX11900ETP+ (16-bit, 1MSPS), MAX11901ETP+ (16-bit, 1.6MSPS), MAX11902ETP+ (18-bit, 1MSPS), MAX11903ETP+ (18-bit, 1.6MSPS), and MAX11904ETP+ (20-bit, 1MSPS)

ZedBoard is a trademark of Avnet, Inc.

Xilinx and Zynq are registered trademarks and Xilinx is a registered service mark of Xilinx, Inc.

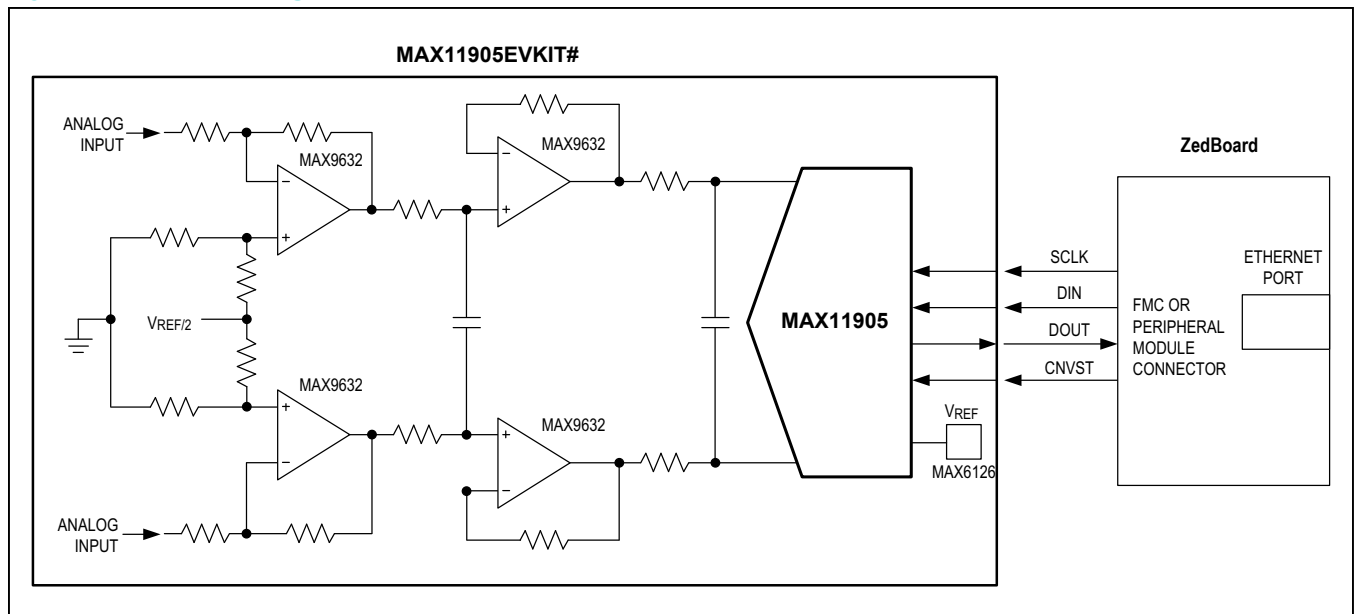
Windows, Windows XP, and Windows Vista are registered trademarks and registered service marks of Microsoft Corporation.

Features

- Peripheral Module and FMC Connector for Interface
- 75MHz SPI Clock Capability through FMC Connector
- 37.5MHz SPI Clock Capability through Peripheral Module Connector
- Sync In and Sync Out for Coherent Sampling
- On-Board Input Buffers (MAX9632)
- On-Board +3.0V Reference Voltage (MAX6126)
- Windows XP-, Windows Vista-, Windows 7-, and Windows 8/8.1-Compatible Software

Ordering Information appears at end of data sheet.

System Block Diagram



MAX11905 Evaluation Kit

Evaluates: MAX11900/MAX11901/
MAX11902/MAX11903/
MAX11904/MAX11905

Quick Start

Required Equipment

- MAX11905 EV kit with SD card
- ZedBoard development board (includes Micro A-to-B USB)
- Windows PC
- Ethernet cable
- +5V DC power supply
- ±15V dual DC power supply
- Signal generator with differential outputs (e.g., Audio Precision 2700 series)
- Solderer, 2-pin 2.54 header

Note: In the following sections, software-related items are identified by bolding. Text in **bold** refers to items directly from the EV kit software. Text in **bold and underlined** refers to items from the Windows operating system.

Procedure

The EV kit is fully assembled and tested. Follow the steps below to verify board operation:

- 1) Download the LabView 2013 run-time engine from www.ni.com/download/labview-run-time-engine-2013/4059/en.
- 2) Visit www.maximintegrated.com/evkitsoftware to download the latest version of the EV kit software, MAX11905EVKit.ZIP. Save the EV kit software to a temporary folder and uncompress the ZIP file.
- 3) Solder the 2-pin header on J18-3V3 of the ZedBoard.
- 4) Connect the Ethernet cable from the PC to the ZedBoard and configure the **Internet Protocol Version 4 (TCP/IPv4)** properties in the local area connection to IP address **192.168.1.2** and subnet mask to **255.255.255.0**.
- 5) Connect the USB cable from PC to ZedBoard's USB programming connector (J17).
- 6) Verify that jumpers JP7, JP8, and JP11 have shunts installed at the GND position, and JP9 and JP10 at the 3V3 position.
- 7) Move the shunt on J18 of the ZedBoard to the 3V3 position from 1V8.
- 8) Insert the SD card with the boot image (BOOT.bin).
- 9) Verify that all jumpers on the EV kit are in their default positions, as shown in [Table 1](#).
- 10) Connect the ZedBoard to J2 on the EV kit for FMC connection. If the peripheral module is used, the ZedBoard's JA1 connector must be connected to J1 on the EV kit.
- 11) Connect the positive terminal of the +5V supply to the +5V test point and the negative terminal to the GND_+5 test point.
- 12) Connect the +15V supply to the +15V test point, -15V supply to the -15V test point, and the ground to the GND15 test point.
- 13) Make sure the GND_+5 and GND15 test points are connected at one point at the supplies.
- 14) Set the signal generator to 5.95V_{P-P} and 10kHz to the INV+ and INV- SMA connectors on the EV kit.
- 15) Turn on all power supplies.
- 16) Enable the function generator.
- 17) Open the EV kit GUI and click on the **run** arrow (→) button at the top of the GUI screen (see [Figure 1](#)).
- 18) Verify that the IP address is **192.168.1.10**, the port is **6001**, and the status bar displays **TCP/IP Connection to Zedboard is successful** and **Connected to ZedBoard (MISO = 1)**.
- 19) Click on the **SET** button within the **SYSTEM** tab sheet.
- 20) Click on the **FFT** tab ([Figure 6](#)) and start capturing data.

Table 1. Jumper Descriptions

JUMPER	SHUNT POSITION	DESCRIPTION
JU1	Installed	Connects to GND.
	Not installed*	Apply the signal at the INV+ SMA connector when using inverting op-amp configuration.
JU2	Installed*	Connects to GND.
	Not installed	Apply the signal at the NONINV+ SMA connector when using noninverting op-amp configuration.
JU3	Installed	Connects signal to the NONINV+ SMA connector to the INV- SMA connector. Only use with single-ended signal source.
	Not installed*	Disconnects signal from the NONINV+ SMA connector to the INV- SMA connector.
JU4	Not installed	Apply the signal at the NONINV- SMA connector when using the noninverting op-amp configuration.
	1-2*	Connects to GND.
	2-3	Connects to 50Ω. Only use with single-ended signal source with 50Ω output impedance.
JU5	Installed	Connects to GND.
	Not installed*	Apply the signal at the INV- SMA connector when using the inverting op-amp configuration.
JU6	1-2*	Connects to REF/2 offset.
	2-3	Connects to GND.
JU7	1-2	Connects to REF. Only use with single-ended signal source.
	2-3*	Connects to JU6-2.
JU8	Not installed*	Enables the line driver.
	Installed	Disables the line driver.
JU9	2-3, 5-6, 8-9, 11-12*	Connects the SPI signals coming from the peripheral module or FMC connectors to the IC.
	Not installed	User-supplied SPI. Connect the SPI signals at the SCLK, CNVST, DIN, and DOUT test points.
JU11	Not installed	User-supplied OVDD. Apply +3.3V at the OVDD test point.
	1-2	Do not use.
	2-3*	OVDD supply connects to the on-board +3.3V LDO.
JU12	Installed*	AVDD supply connects to the on-board +1.8V LDO.
	Not installed	User-supplied AVDD. Apply +1.8V at the jumper JU12-2 pin.
JU13	Installed*	REFVDD supply connects to the on-board +3.3V LDO.
	Not installed	User-supplied REFVDD. Apply +3.3V at the JU13-2 pin.
JU14	1-2*	REFIN connects to the on-board +3.0V reference.
	2-3	User-supplied REFIN. Apply reference voltage at the EXT_REFIN test point.
JU15	Installed*	DVDD supply connects to the on-board +1.8V LDO.
	Not installed	User-supplied DVDD. Apply +1.8V at the DVDD test point.

*Default position.

Note: JU10 does not exist.

MAX11905 Evaluation Kit

Evaluates: MAX11900/MAX11901/
MAX11902/MAX11903/
MAX11904/MAX11905

General Description of Software

The main window of the MAX11905 EV kit software contains five tabs: **SYSTEM**, **SCOPE**, **DMM**, **HISTOGRAM**, and **FFT**. The **SYSTEM** tab provides control to communicate with the ZedBoard, SPI, and the IC registers. The other four tabs are used for evaluating the IC's high-speed ADC.

SYSTEM Tab

When all connections are made on the system and are fully powered, the **SYSTEM** tab sheet displays the correct IP address, port, and the lower status bar displays as shown [Figure 1](#). These are all indicators that the system and GUI are ready for communication.

Before proceeding, the connector used on the ZedBoard should be connected to either the FMC or peripheral module connector on the EV kit. If the FMC connector is used, all SCLK frequencies are applicable. If the peripheral module connector is used, the maximum allowed frequency is 37.5MHz. For the **Clock Source** selection, the ZedBoard

internal clock is always a valid option. If the external clock is selected, an external clock must be applied at the DCLK_IN SMA on the EV kit. The Sync-Out CLK selection is used to synchronize the signal generator with a 10MHz input. See the [Sync Input and Sync Output](#) section for more information. Once the above configurations are completed, adjust to the desired sampling rate, reference voltage, and number of samples, and then click on the **SET** button.

Also in this tab are the IC register controls. The Mode register is accessible using the controls on the **MAX11905 Mode Register Configuration** group box in the center, or the **Mode** control on the right. All other registers are read-only and are updated by clicking on the appropriate **Read** button. The first and second REF must be shorted on the board to use the REF controls. **1st REF BUF** and **2nd REF BUF** are internally set to the same value. The GUI forces these two controls to the same value, regardless of the user's choice.

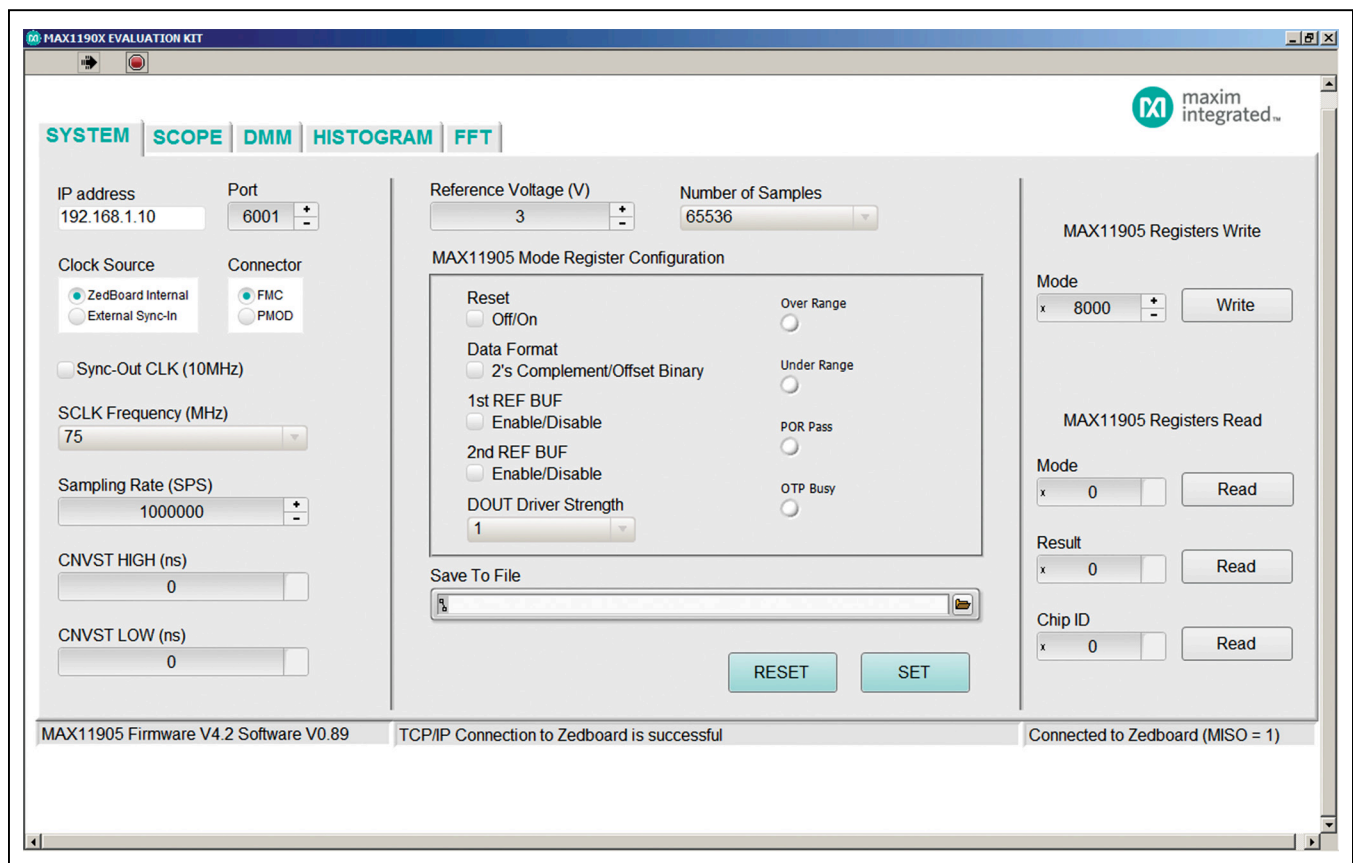


Figure 1. MAX1190X EV Kit Main Window (SYSTEM Tab Sheet)

MAX11905 Evaluation Kit

Evaluates: MAX11900/MAX11901/
MAX11902/MAX11903/
MAX11904/MAX11905

The **RESET** button resets the firmware, as well as the device. It sends 0x8000 to the Mode register and causes the device to do a power-on reset. The **SET** button should be clicked to save the current screen settings.

SCOPE Tab

The **SCOPE** tab sheet is used to capture data and display it in the time domain. Sampling rate and number of samples can also be set in this tab if they were not appropriately

adjusted in other tabs. The **Display Unit** drop-down list allows counts and voltages. Once the desired configuration is set, click on the **Capture** button. The right side of the tab sheet displays details of the waveform, such as average, standard deviation, maximum, minimum, and fundamental frequency.

Figure 2 displays the ADC data when differential sinusoidal are applied at the inputs on the EV kit.

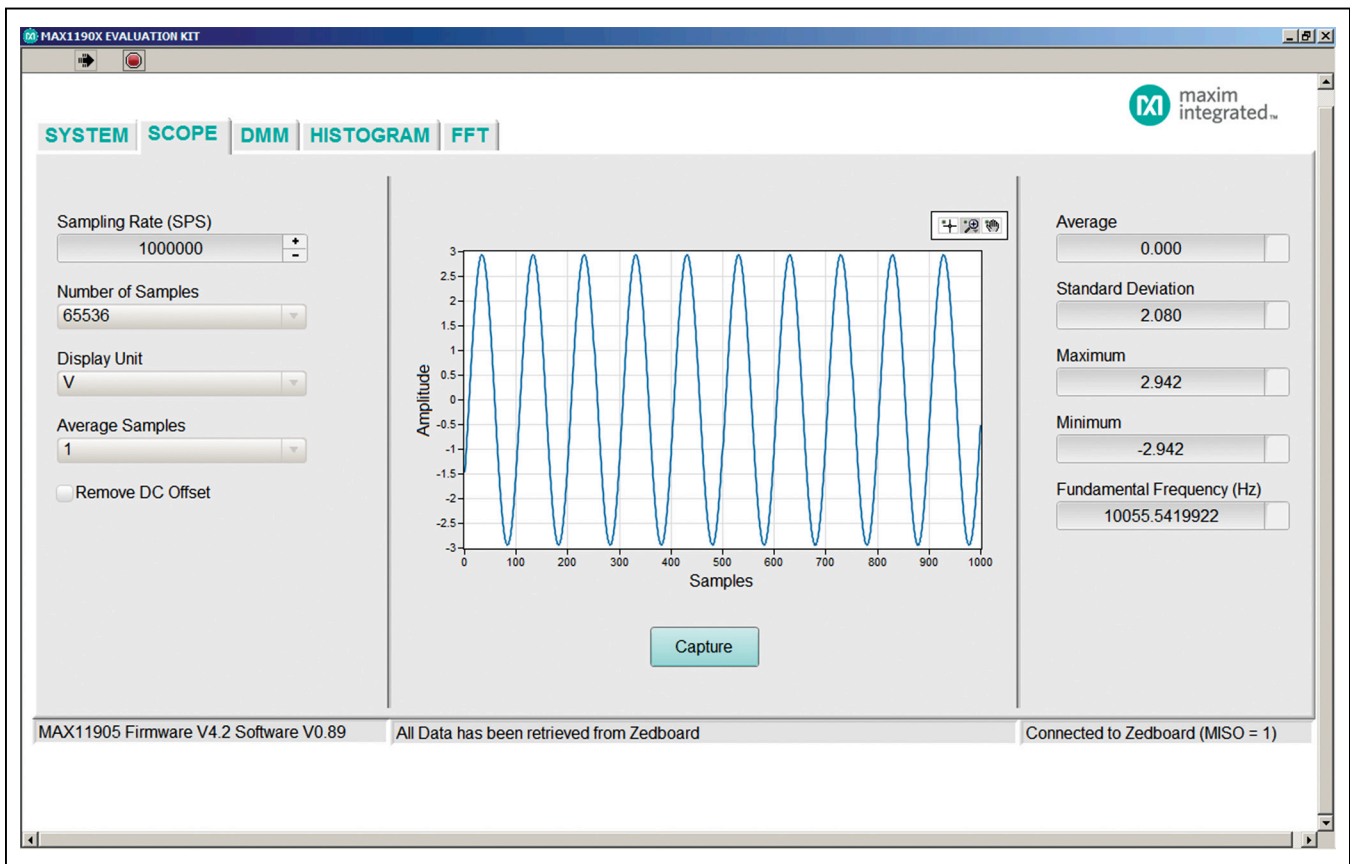


Figure 2. MAX1190X EV Kit Main Window (SCOPE Tab)

MAX11905 Evaluation Kit

Evaluates: MAX11900/MAX11901/
MAX11902/MAX11903/
MAX11904/MAX11905

DMM Tab

The **DMM** tab sheet provides the typical information as a digital multimeter. Once the desired configuration is set, click on the **Capture** button.

Figure 3 displays the numerical value when the inputs on the EV kit are shorted to ground using the jumpers (JU1, JU2, JU4, and JU5). See [Table 1](#) for shunt settings.

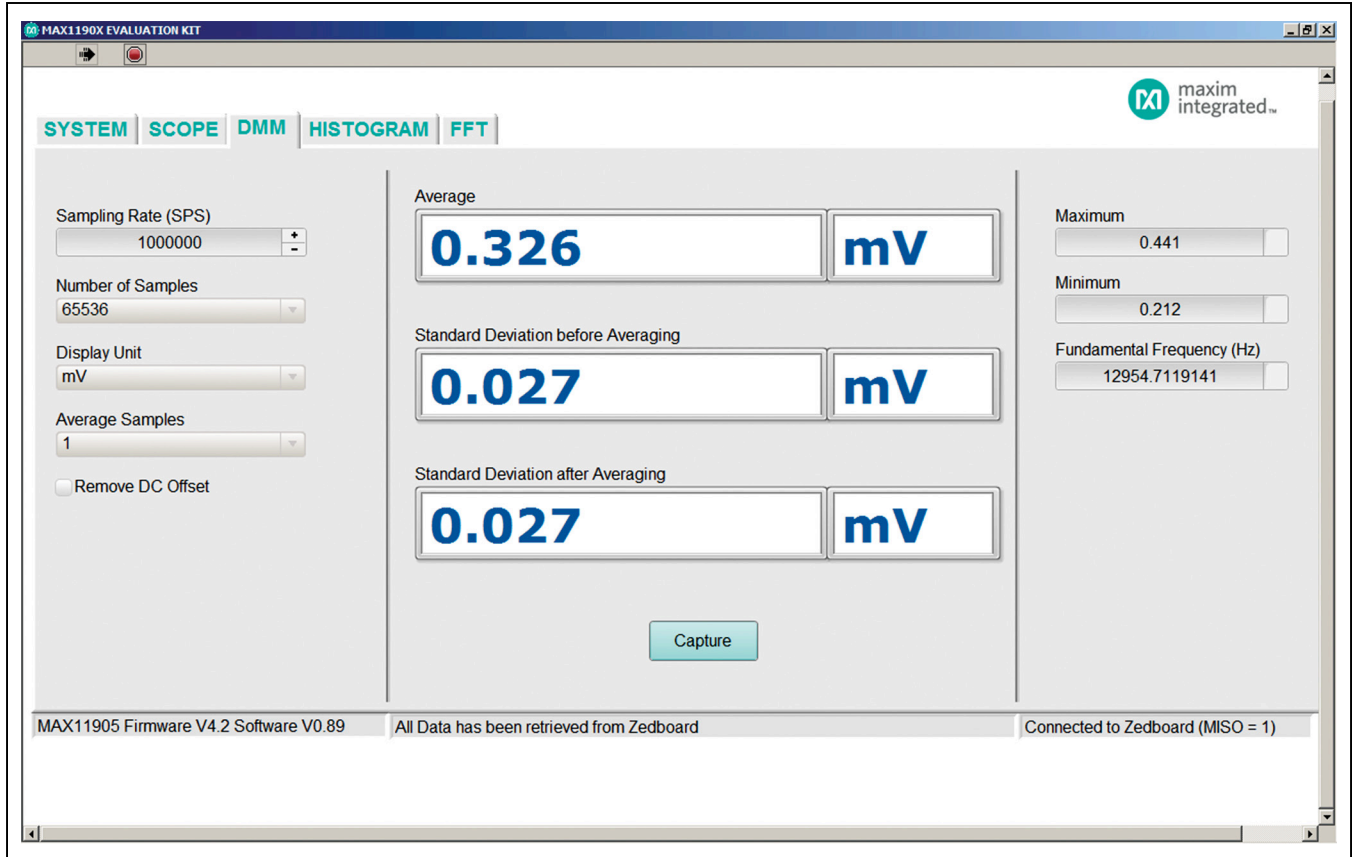


Figure 3. MAX1190X EV Kit Main Window (DMM Tab)

HISTOGRAM Tab

The **HISTOGRAM** tab sheet is used to capture the histogram of the data. Sampling rate and number of samples can also be set in this tab if they were not appropriately adjusted in other tabs. Make sure that the number of samples do not exceed 524,288. Otherwise, data capturing is longer than expected. Once the desired configuration is set, click on the **Capture** button. The right side of the tab

sheet displays details of the histogram such as average, standard deviation, maximum, minimum, peak-to-peak noise, effective resolution, and noise-free resolution.

To use this histogram feature, apply a DC voltage at the input. [Figure 4](#) displays the results when the inputs of the EV kit are shorted to ground using jumpers JU1, JU2, JU4, and JU5. See [Table 1](#) for placement of shunt positions.

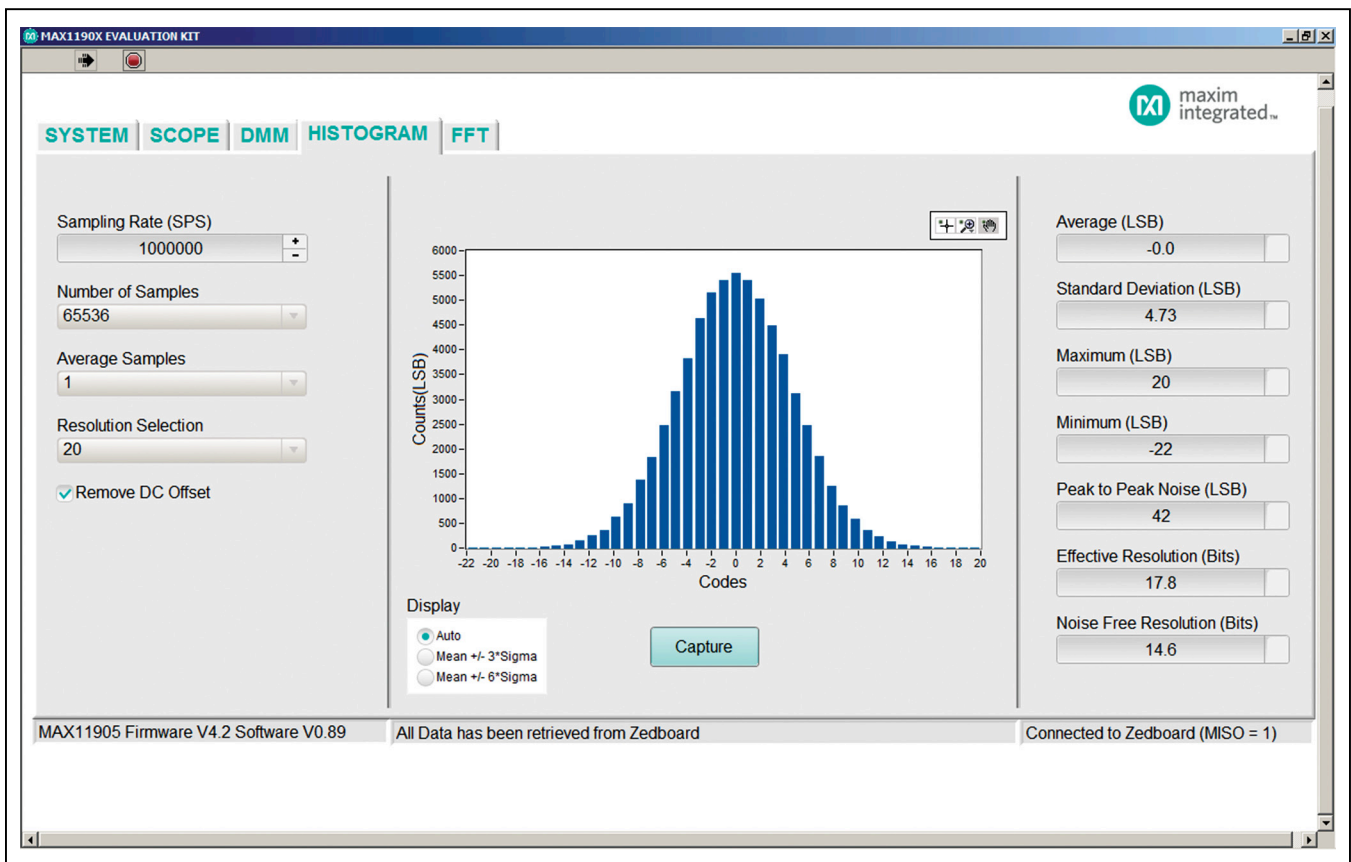


Figure 4. MAX1190X EV Kit Main Window (HISTOGRAM Tab)

FFT Tab

The **FFT** tab sheet is used to display the FFT of the data. Sampling rate and number of samples can also be set in this tab if they were not appropriately adjusted in other tabs. When coherent sampling is needed, this tab sheet allows the user to calculate the input frequency or the master clock coming into the board. Either adjust the input frequency applied to the signal generator or adjust the master applied to the DCLK_IN SMA connector. See the *Sync Input and Sync Output* section before using this feature. Once the desired configuration is set, click on the **Capture** button. The right side of the tab displays the performance based on the FFT, such as fundamental frequency, THD, SNR, SINAD, SFDR, ENOB, and noise floor.

Figure 5 shows the setup Maxim uses to capture data for coherent sampling.

To achieve the results similar to Figure 6, the daughter board was configured to inverting configuration. Use the jumper settings from Table 2 for proper configurations. The input signal from the signal generator must be exactly **10000.000000 Hz**. The low-jitter clock is synchronized with the signal generator. The master clock was initially set to **1000000000 Hz** but to achieve coherent sampling, the user must click on the **Calculate** button and use the **Adjusted(Hz)** frequency. **99523158.694 Hz** was entered into our low-jitter clock. The master clock is fed back to the ZedBoard and multiplied by 3/2, then generates a system clock that drives the Xilinx FPGA. Timing for all SPI timing and sampling rate are based off the system clock.

If the results do not look similar to Figure 6 and more similar to Figure 7, then check all connections in Figure 5 to make sure the setup is synchronizing properly.

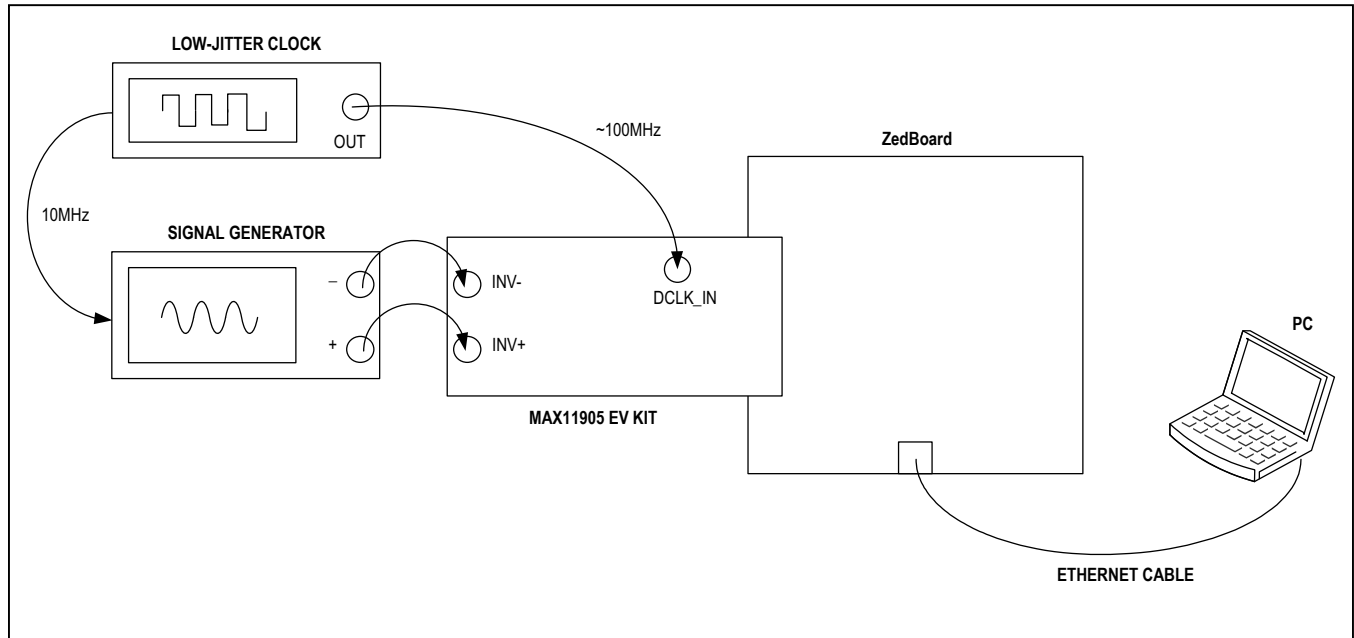


Figure 5. MAX11905 EV Kit Coherent Sampling Setup

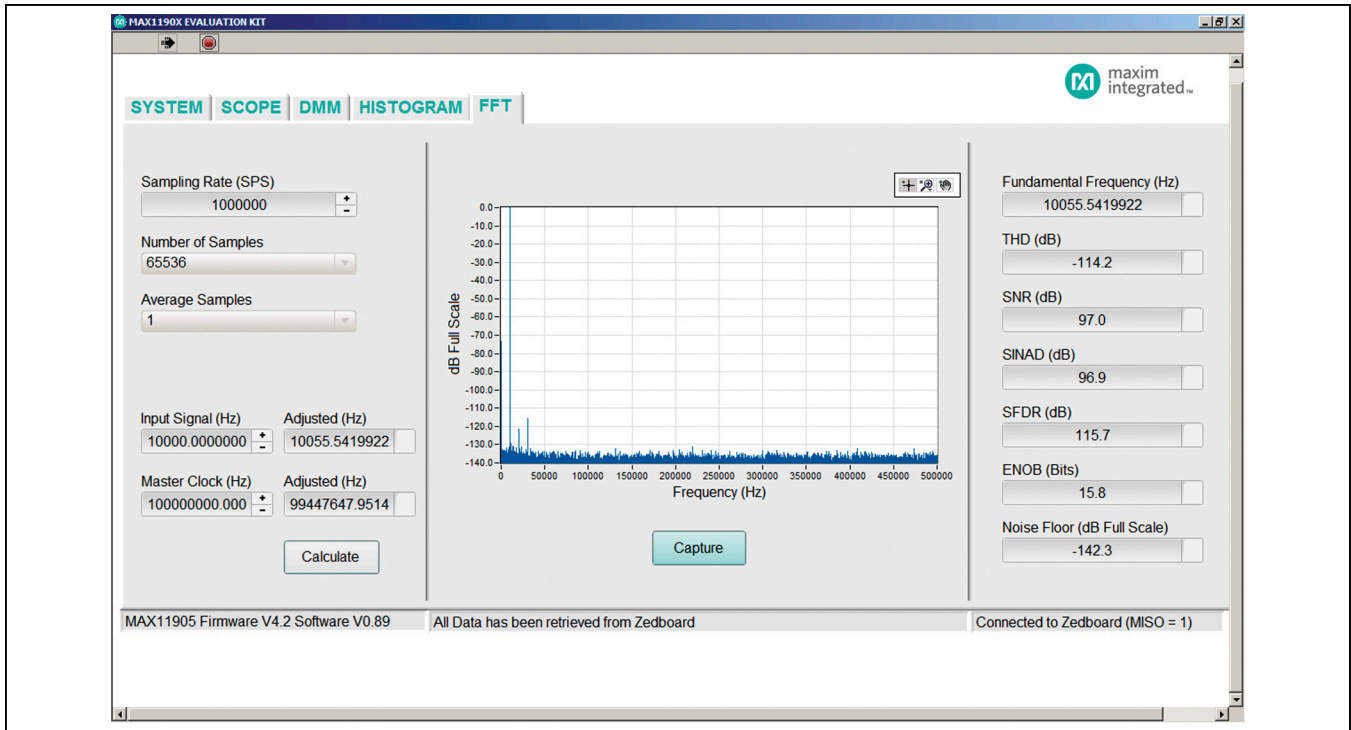


Figure 6. MAX1190X EV Kit Main Window, Results Using the Inverting Setup (FFT Tab)

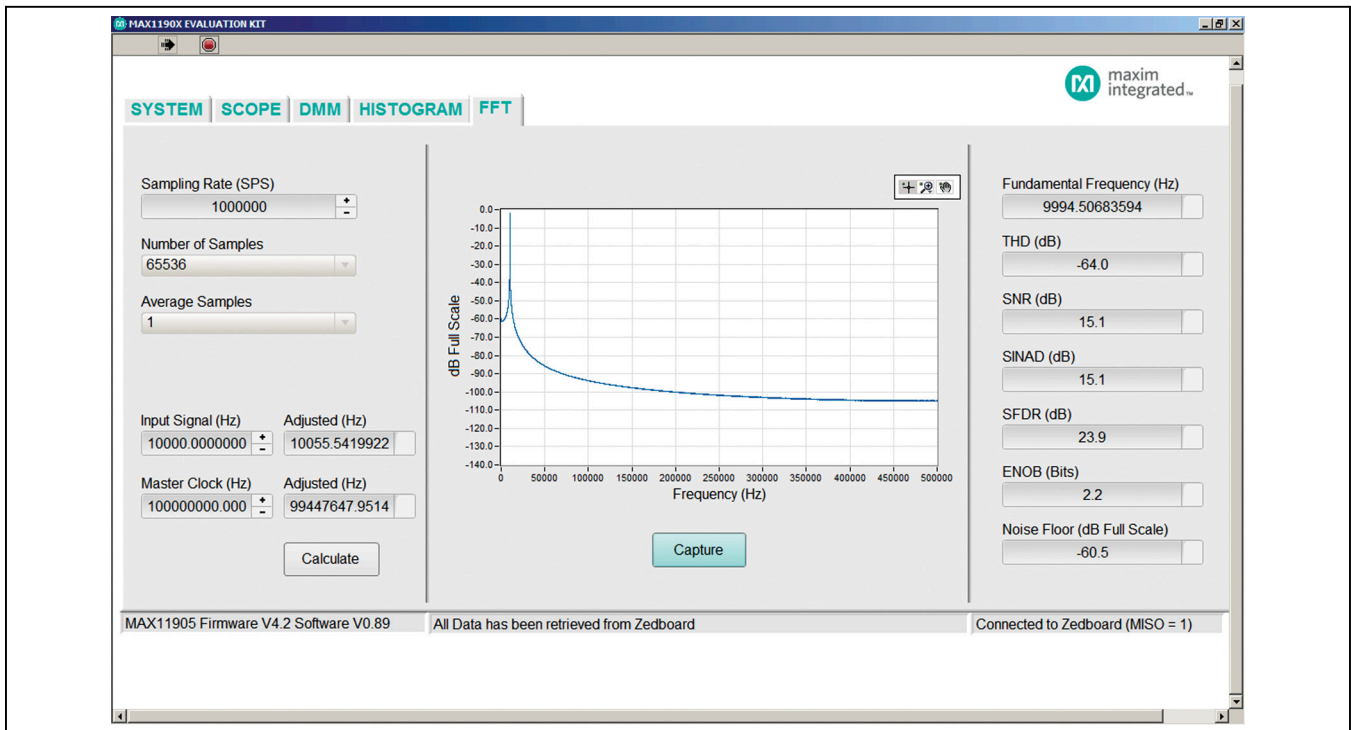


Figure 7. MAX1190X EV Kit Main Window, Results Using the Inverting Setup with Noncoherent Sampling (FFT Tab)

MAX11905 Evaluation Kit

Evaluates: MAX11900/MAX11901/
MAX11902/MAX11903/
MAX11904/MAX11905

In [Figure 8](#), the daughter board was configured to noninverting configuration. Use the jumper settings from [Table 2](#) for proper configurations.

In [Figure 9](#), the daughter board was configured to inverting, single-ended to differential configuration. Use the jumper settings from [Table 2](#) for proper configurations.

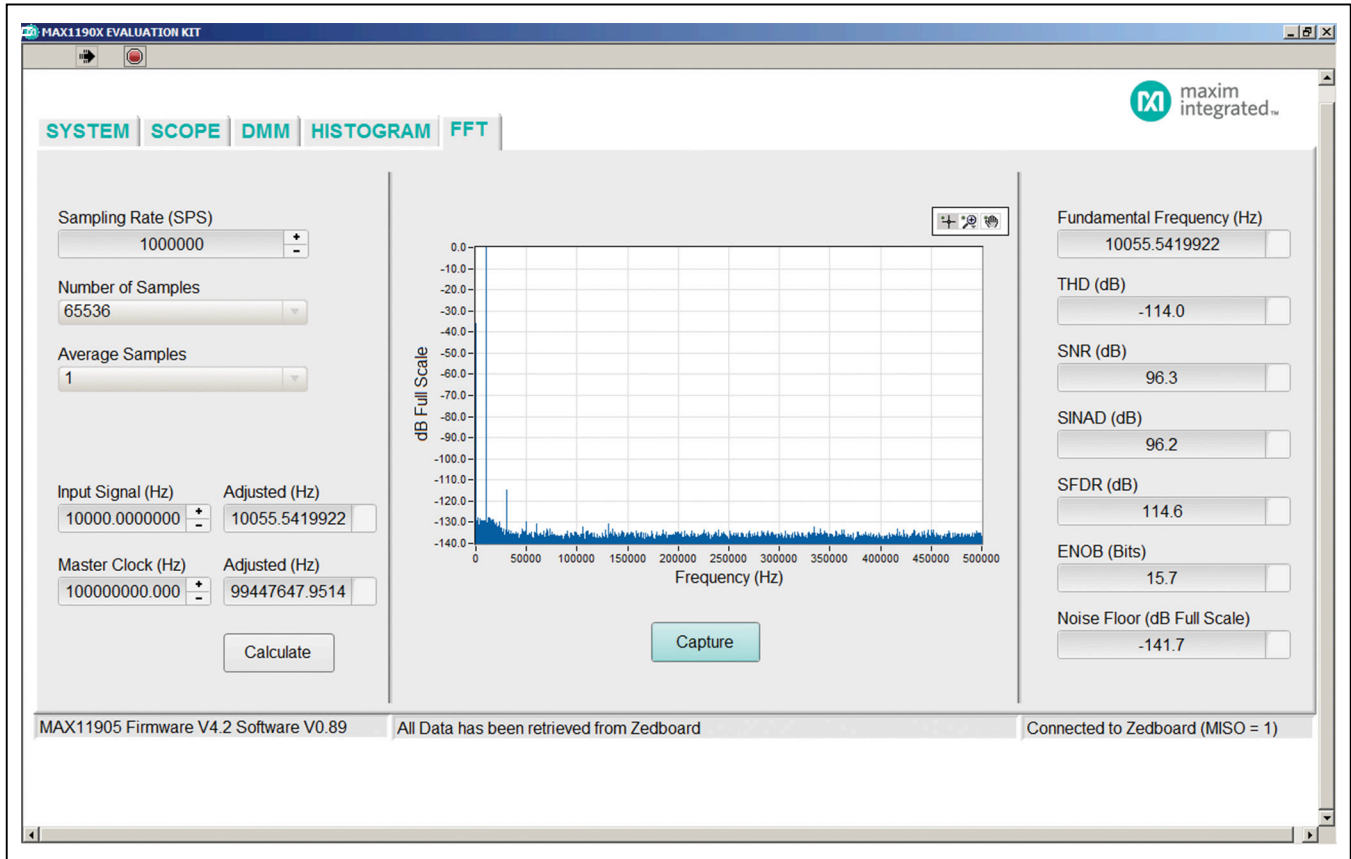


Figure 8. MAX1190X EV Kit Main Window, Results Using the Noninverting Setup (FFT Tab)

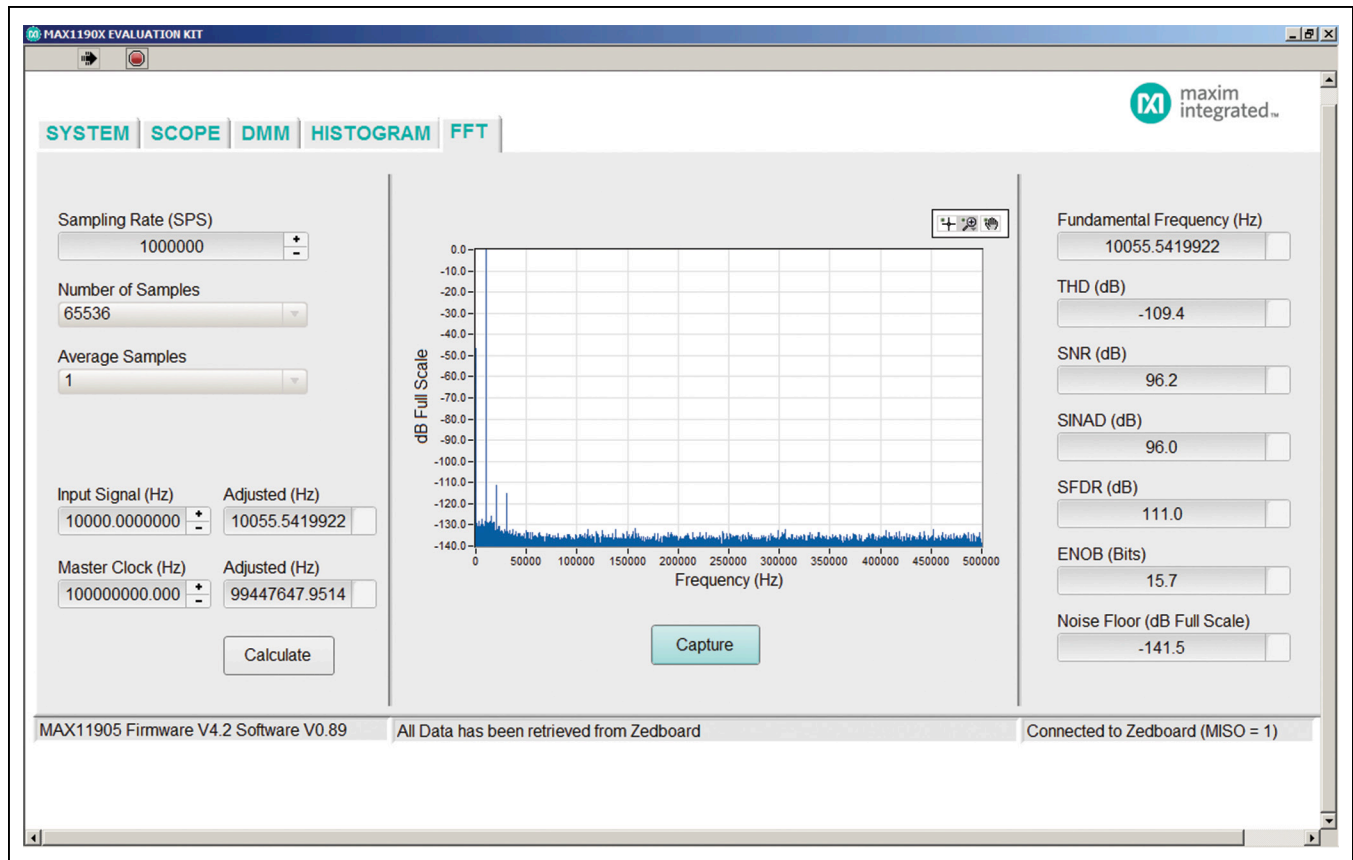


Figure 9. MAX1190X EV Kit Main Window, Results Using the Inverting Single to Differential Setup (FFT Tab)

General Description of Hardware

The MAX11905 EV kit provides a proven layout to demonstrate the performance of the MAX11905 20-bit SAR ADC. Included in the EV kit are digital isolators, ultra-low-noise LDOs (MAX8510) to all supply pins of the IC, on-board reference (MAX6126), precision amplifiers (MAX9632) for the analog inputs, and sync-in and sync-out signals for coherent sampling.

User-Supplied SPI

To evaluate the EV kit with a user-supplied SPI bus, remove shunts from jumper JU9. Apply the user-supplied SPI signals to the SCLK, CNVST, DIN, and DOUT test points. Make sure the return ground is the same as the IC's ground.

User-Supplied REFVDD

The REFVDD supply is powered through a +3.3V LDO by default. For user-supplied REFVDD, remove the shunt on jumper JU13 and apply +2.7V to +3.6V at jumper JU13-1.

User-Supplied AVDD

The AVDD supply is powered through a +1.8V LDO by default. For user-supplied AVDD, remove the shunt on jumper JU12 and apply +1.7V to +1.9V at jumper JU12-2.

User-Supplied DVDD

The DVDD supply is powered through a +1.8V LDO by default. For user-supplied DVDD, remove the shunt on jumper JU15 and apply +1.7V to +1.9V at the DVDD test point.

User-Supplied OVDD

The OVDD supply is powered through a +3.3V LDO by default. For user-supplied OVDD, remove the shunt on JU11 and apply +1.5V to +3.6V at jumper JU13-1. Since there is a supply limitation on the isolators (U3, U18), the OVDD supply should not be powered below +2.7V when the FMC connector or peripheral module of the EV kit are being used.

MAX11905 Evaluation Kit

Evaluates: MAX11900/MAX11901/
MAX11902/MAX11903/
MAX11904/MAX11905

User-Supplied REFIN

The IC uses an on-board +3V reference (MAX6126) by default. For user-supplied REFIN, move the shunt on jumper JU14 to the 2-3 position. Make sure that REFIN is 300mV below REFVDD before applying the reference.

Analog Inputs

Both analog inputs (AIN+ and AIN-) range from 0 to V_{REF} . The differential input range is from $-V_{REF}$ to $+V_{REF}$ and the full-scale range is 2 times the V_{REF} . The desired input signals are applied at the INV+ and INV- SMAs for

inverting configuration (see Figure 10), and NONINV+ and NONINV- SMAs for noninverting configuration (see Figure 11).

The EV kit is also configurable for single-ended input to differential (see Figure 12 and Figure 13). The desired signal should be applied at the INV+ SMA for inverting and at the NONINV+ SMA for noninverting. If the source is 50Ω output impedance, then jumper JU4 must be in the 2-3 position.

See Table 2 for all possible analog input configurations.

Table 2. Analog Input Configurations (JU1–JU7)

JUMPER	INVERTING AND DIFFERENTIAL	NONINVERTING AND DIFFERENTIAL	INVERTING, SINGLE-ENDED TO DIFFERENTIAL	NONINVERTING, SINGLE-ENDED TO DIFFERENTIAL
JU1	Not installed	Installed	Not installed	Installed
JU2	Installed	Not installed	Installed	Not installed
JU3	Not Installed	Not installed	Installed	Installed
JU4	1-2	Not installed	1-2	1-2
JU5	Not Installed	Installed	Not installed	Not installed
JU6	1-2	1-2	1-2	1-2
JU7	2-3	2-3	1-2	1-2

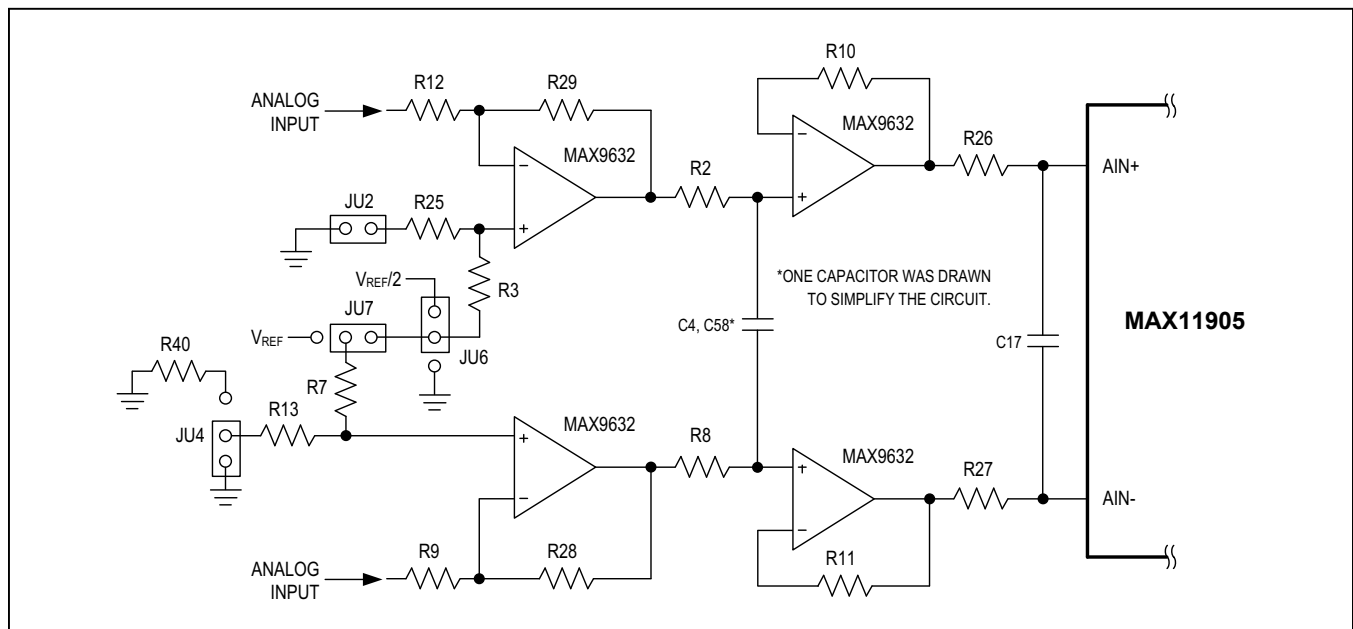


Figure 10. Inverting and Differential Configuration

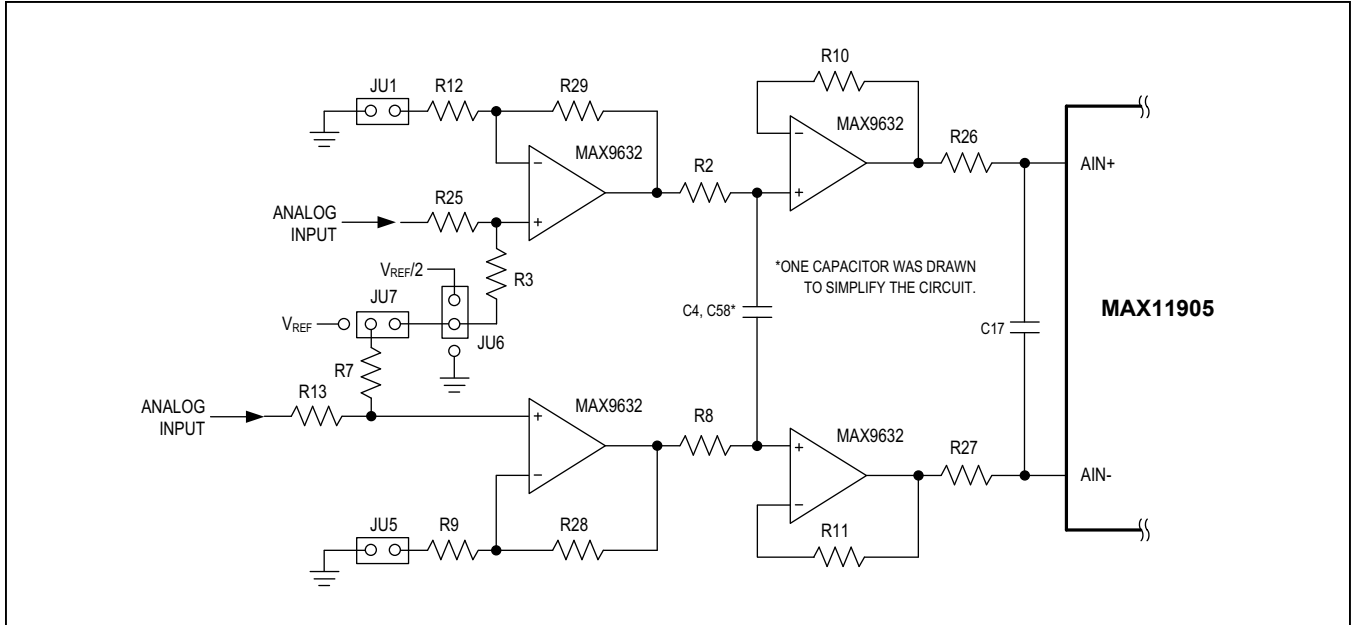


Figure 11. Noninverting and Differential Configuration

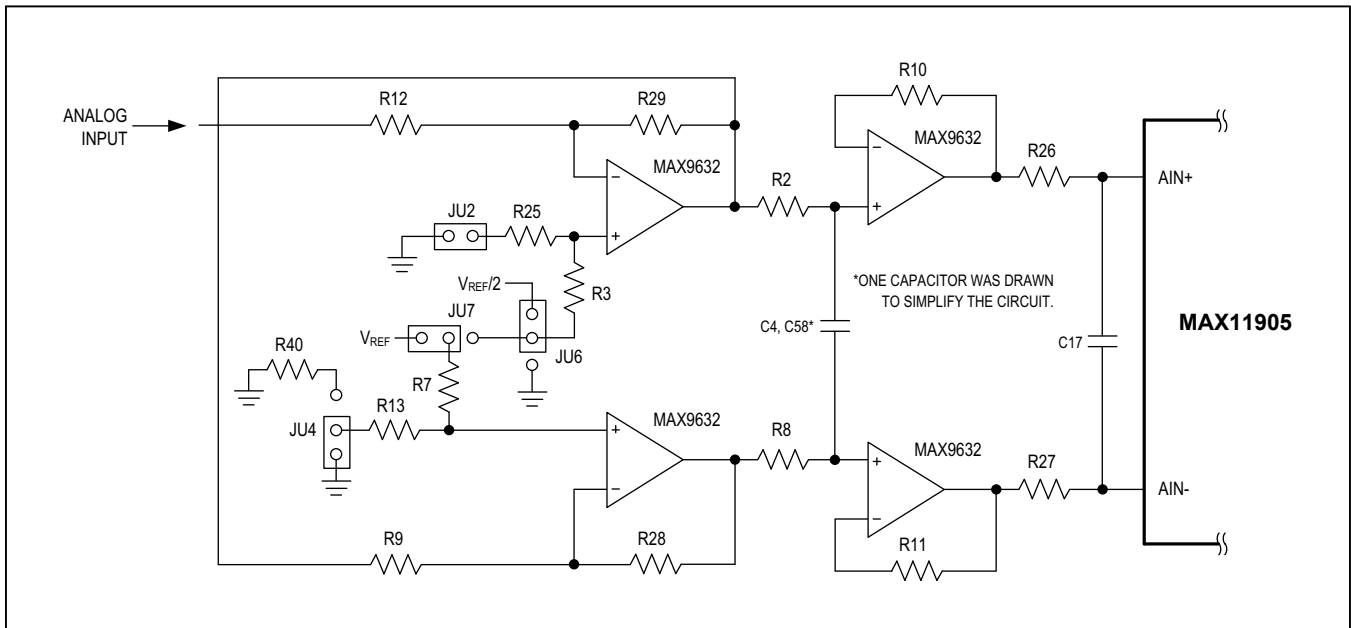


Figure 12. Inverting and Single-Ended to Differential Configuration

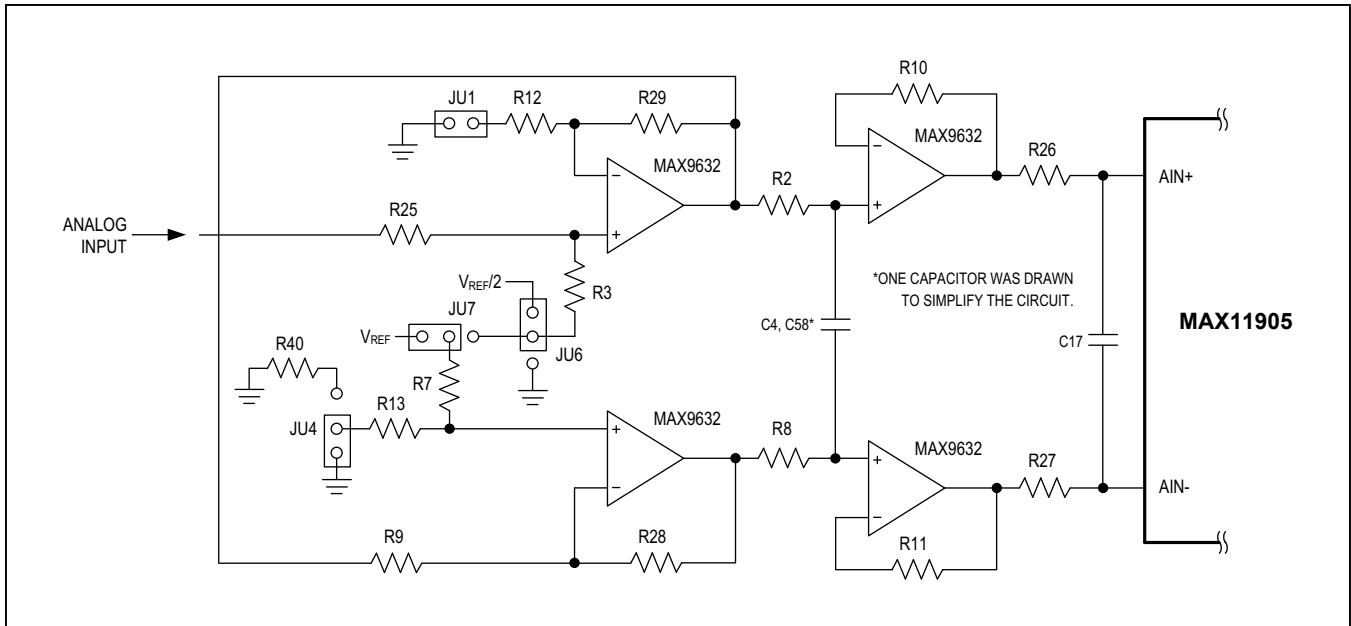


Figure 13. Noninverting and Single-Ended to Differential Configuration

Sync Input and Sync Output

The DCLK_IN SMA accepts an approximate 100MHz waveform signal to generate the system clock of the ZedBoard. For maximum performance, use a low-jitter clock that syncs to the user’s analog function generator. The SYNC_OUT SMA outputs a 10MHz square waveform that syncs to the user’s analog function generator. Both options are used for coherent sampling of the IC. Only one option should be used at a time. The relationship between f_{IN}, f_S, N_{CYCLES}, and M_{SAMPLES} is given as follows:

$$\frac{f_{IN}}{f_S} = \frac{N_{CYCLES}}{M_{SAMPLES}}$$

where:

f_{IN} = Input frequency

f_S = Sampling frequency

N_{CYCLES} = Prime number of cycles in the sampled set

M_{SAMPLES} = Total number of samples

Interface Connectors

The EV kit and ZedBoard communicate in two ways, using the peripheral module connector (J1) or the FMC connector (J2) on the EV kit. The maximum SPI SCLK frequency is 37.5MHz for the peripheral module connector and 75MHz for the FMC connector.

Part Selection

Table 3 is the list of compatible parts that can be replaced at the U1 IC designator.

Table 3. Part Selection

PART	RESOLUTION (BITS)	SAMPLE RATE (MSPS)
MAX11900ETP+	16	1.0
MAX11901ETP+	16	1.6
MAX11902ETP+	18	1.0
MAX11903ETP+	18	1.6
MAX11904ETP+	20	1.0
MAX11905ETP+*	20	1.6

*Default installed part

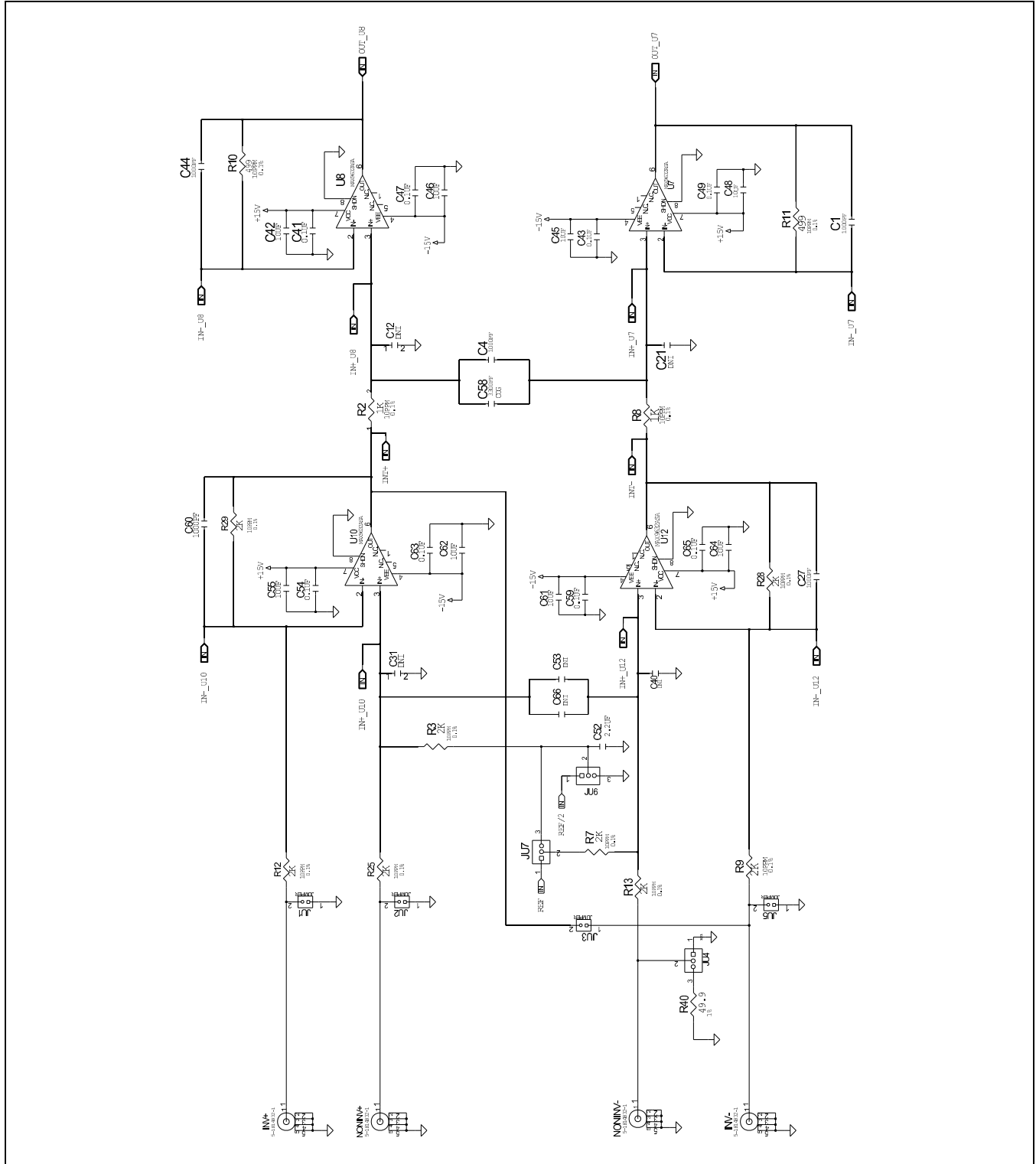


Figure 14a. MAX11905 EV Kit Schematic (Sheet 1 of 4)

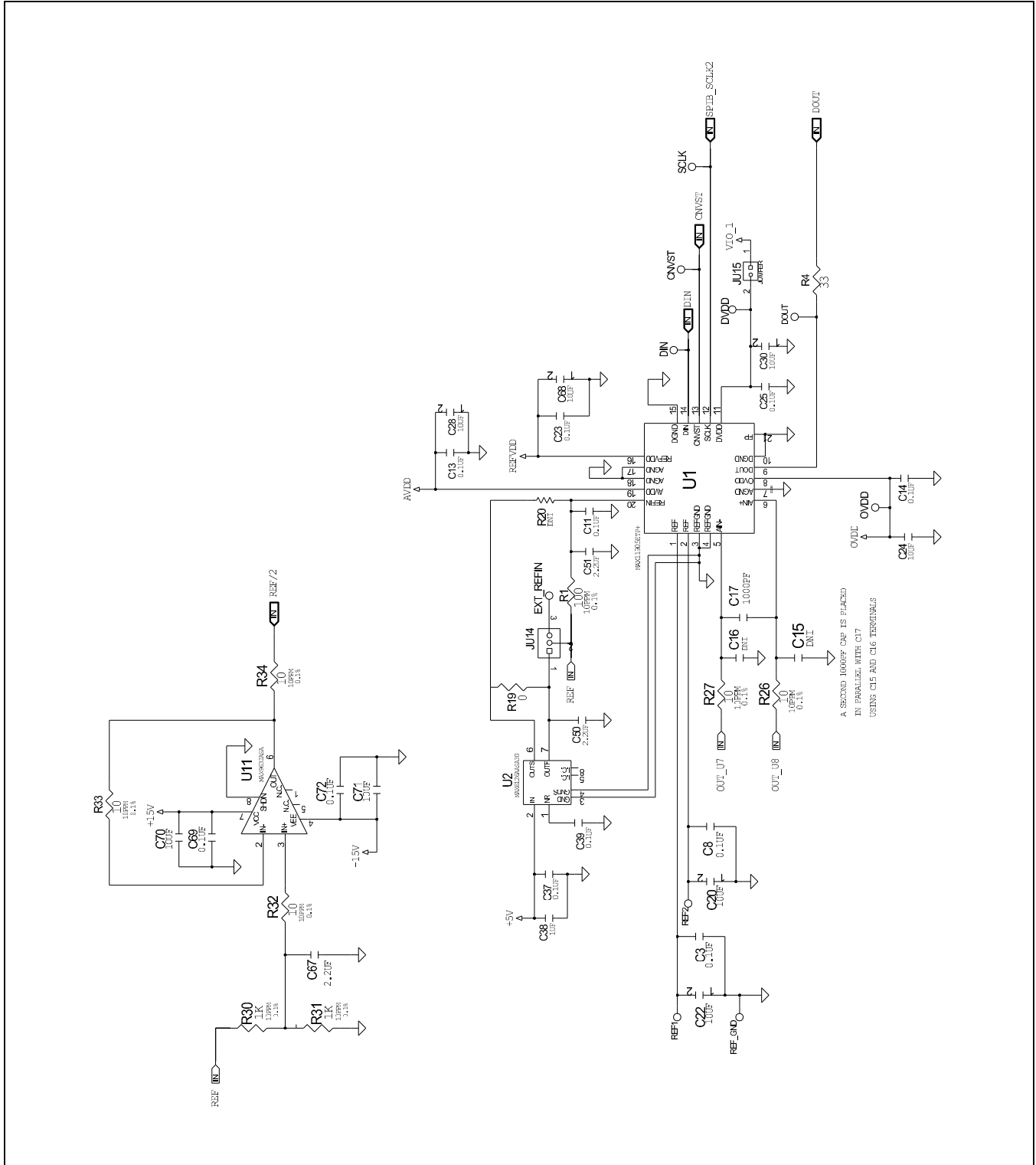


Figure 14b. MAX11905 EV Kit Schematic (Sheet 2 of 4)

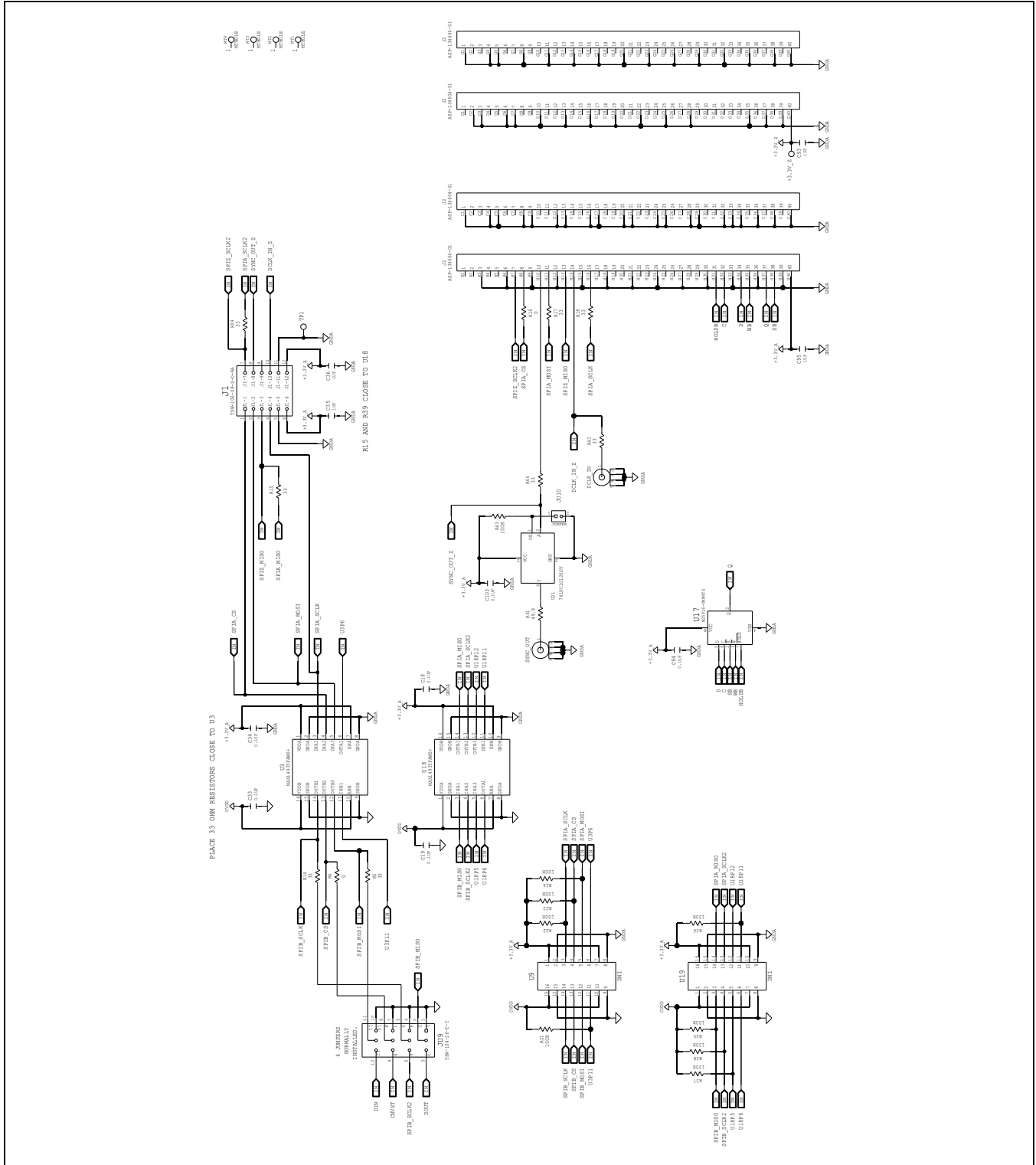


Figure 14c. MAX11905 EV Kit Schematic (Sheet 3 of 4)

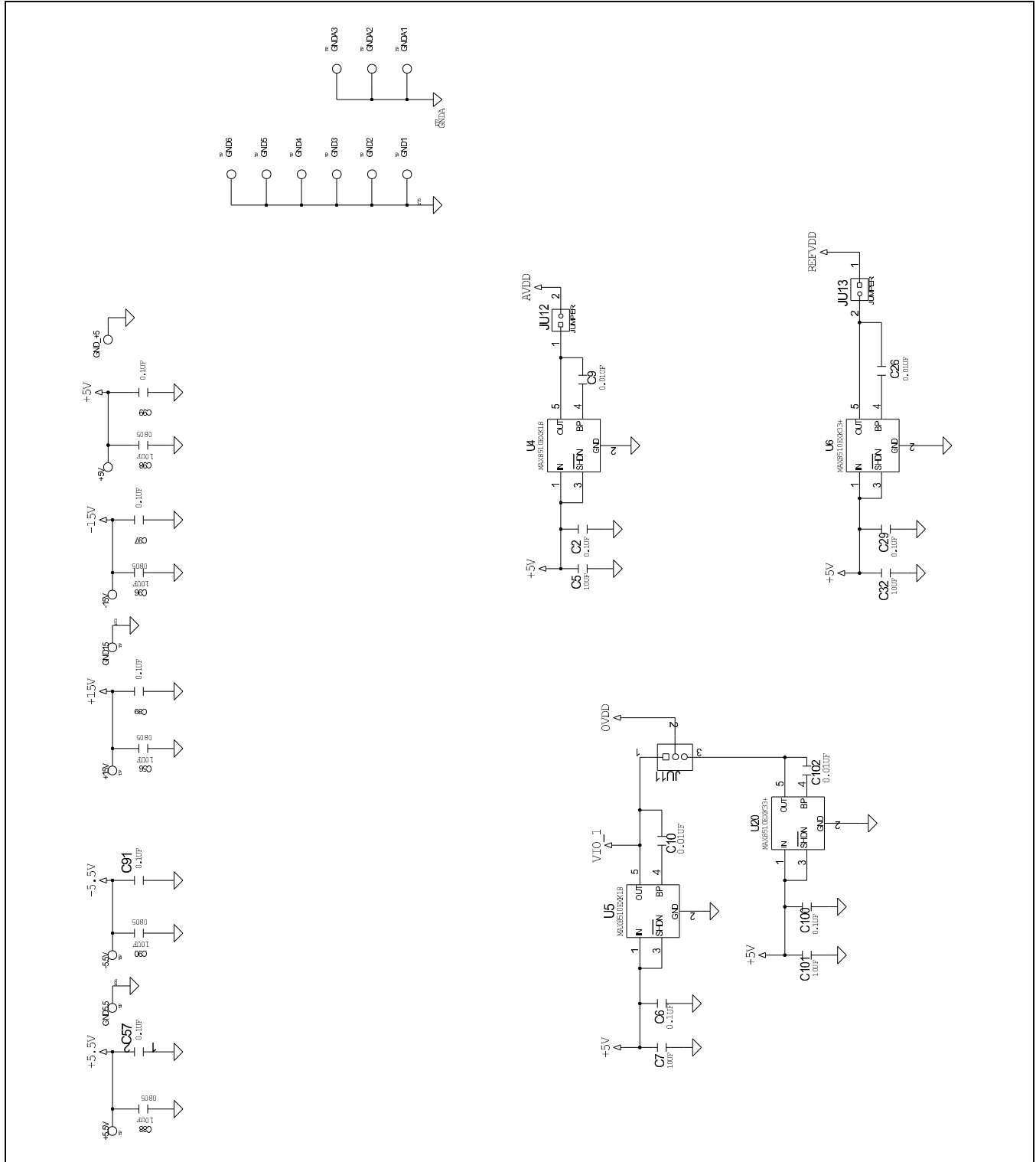


Figure 14d. MAX11905 EV Kit Schematic (Sheet 4 of 4)

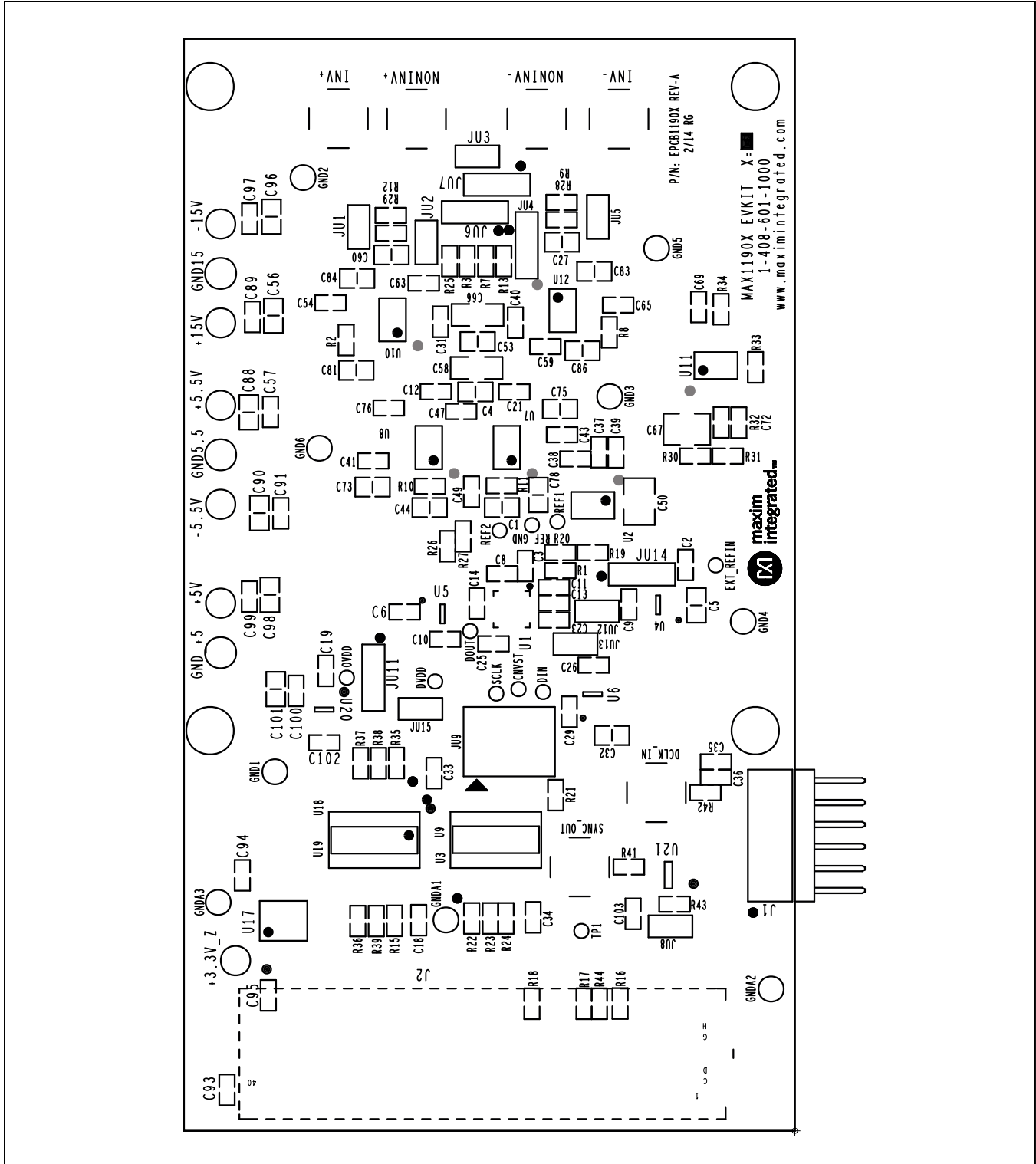


Figure 15. MAX11905 EV Kit Component Placement Guide—Component Side

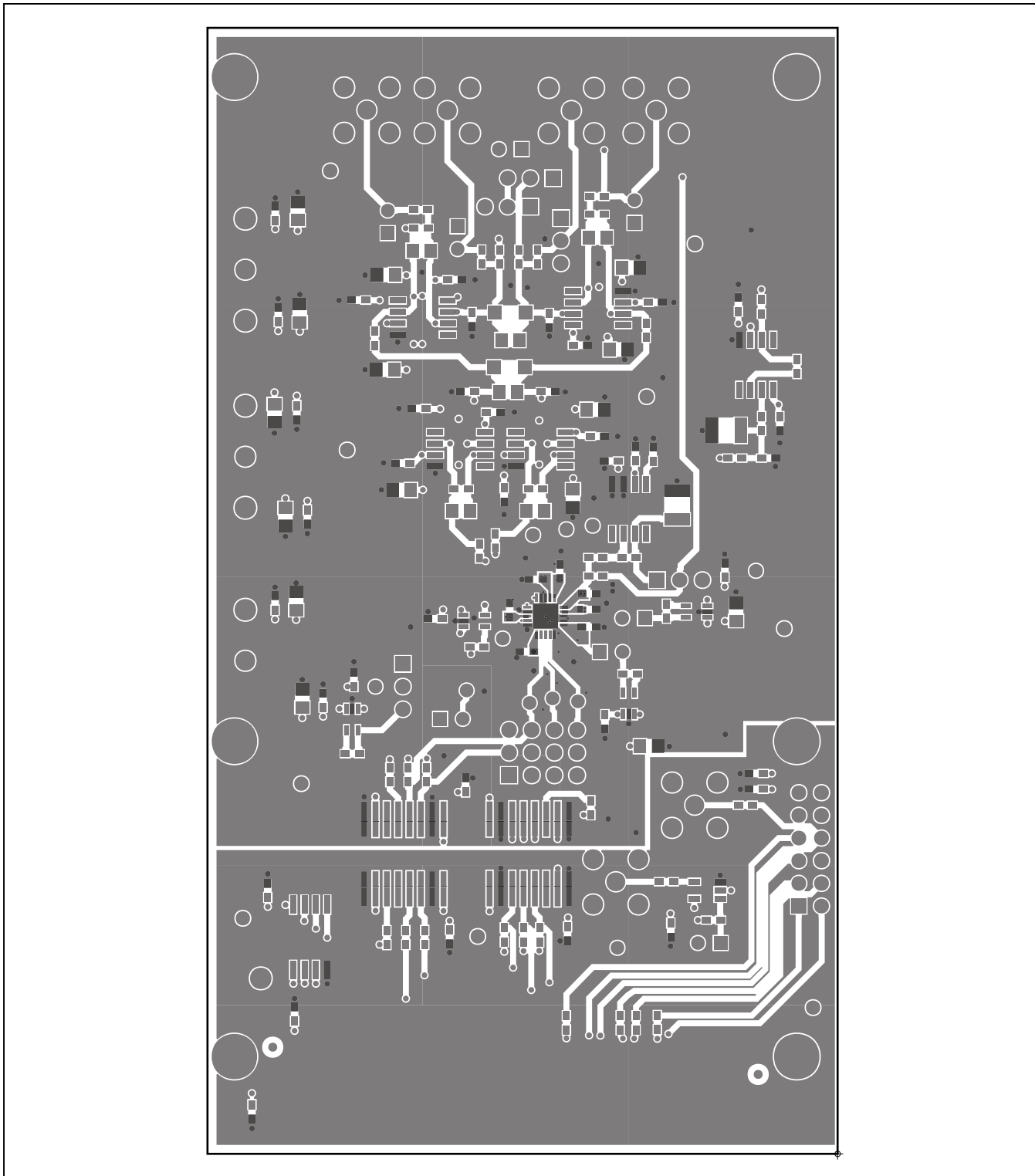


Figure 16. MAX11905 EV Kit PCB Layout—Component Side

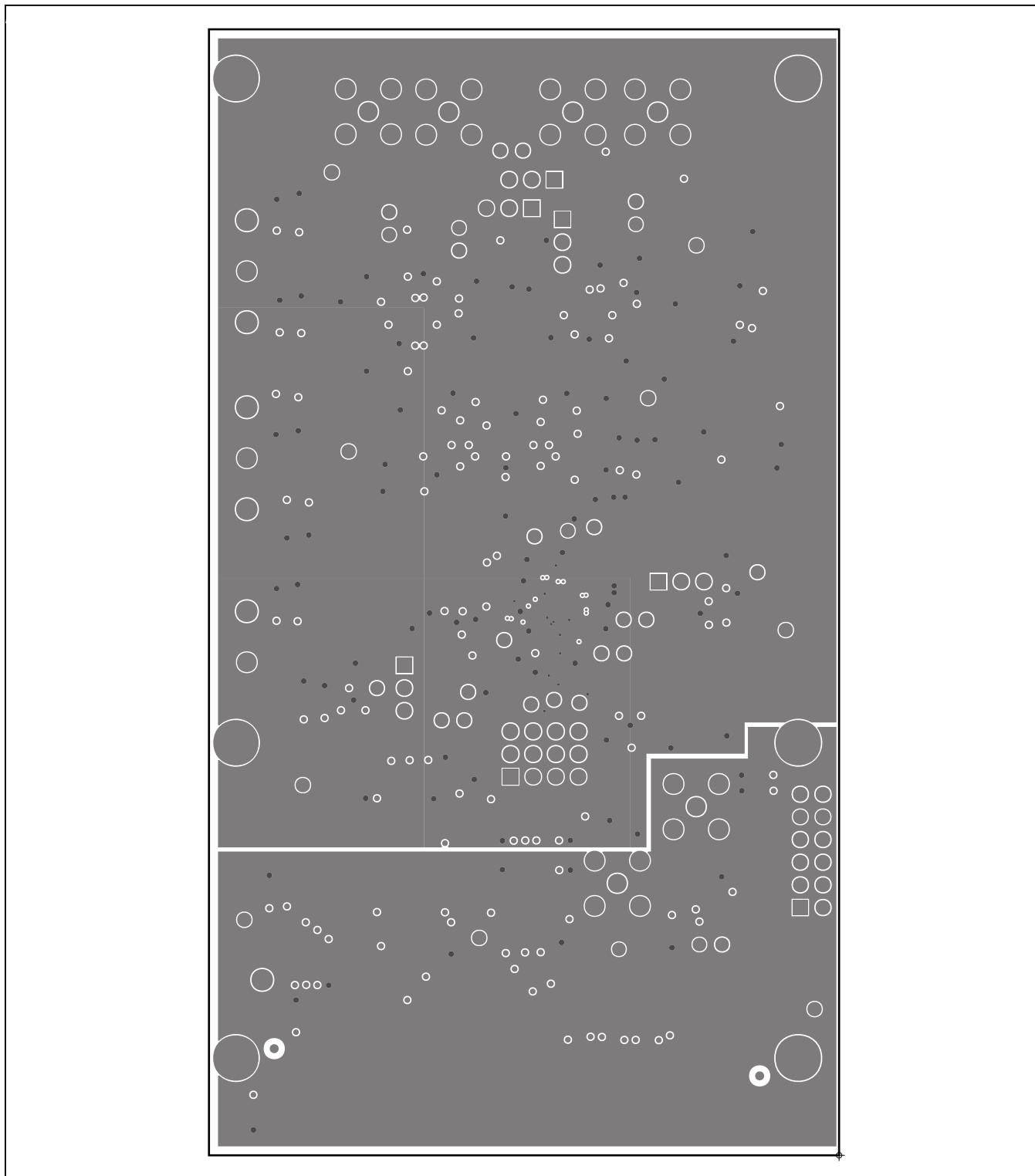


Figure 17. MAX11905 EV Kit PCB Layout—Layer 2

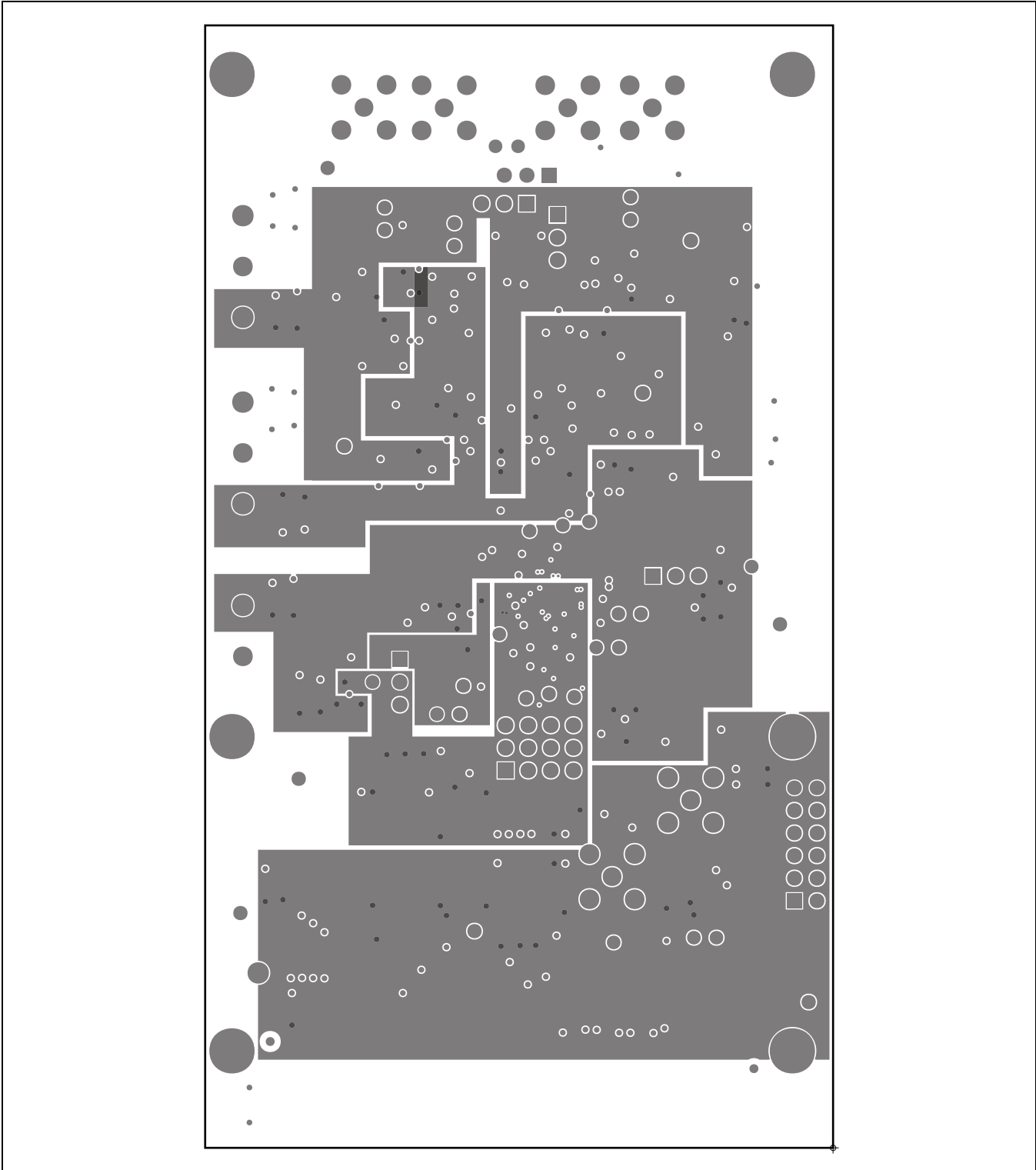


Figure 18. MAX11905 EV Kit PCB Layout—Layer 3

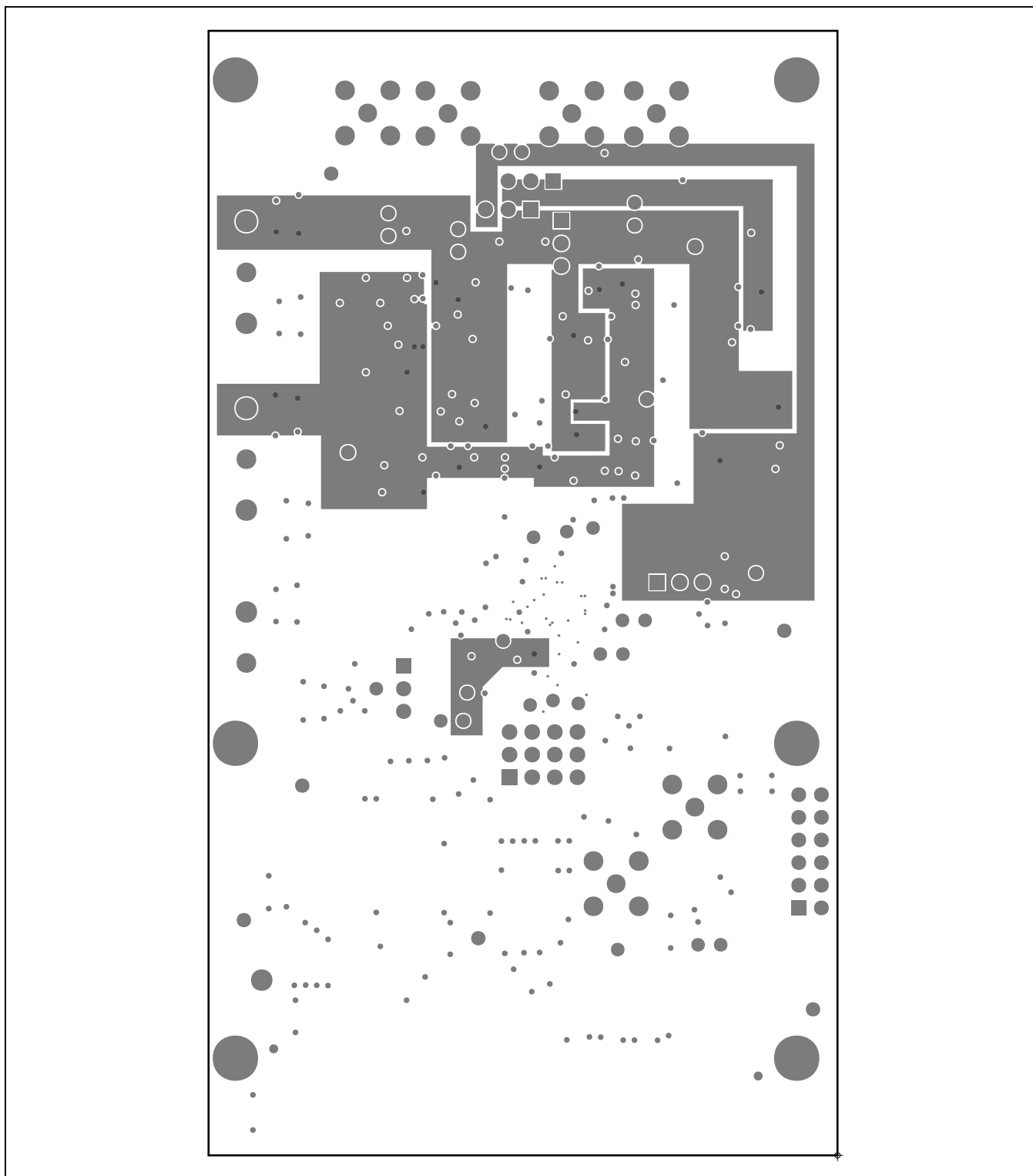


Figure 19. MAX11905 EV Kit PCB Layout—Layer 4

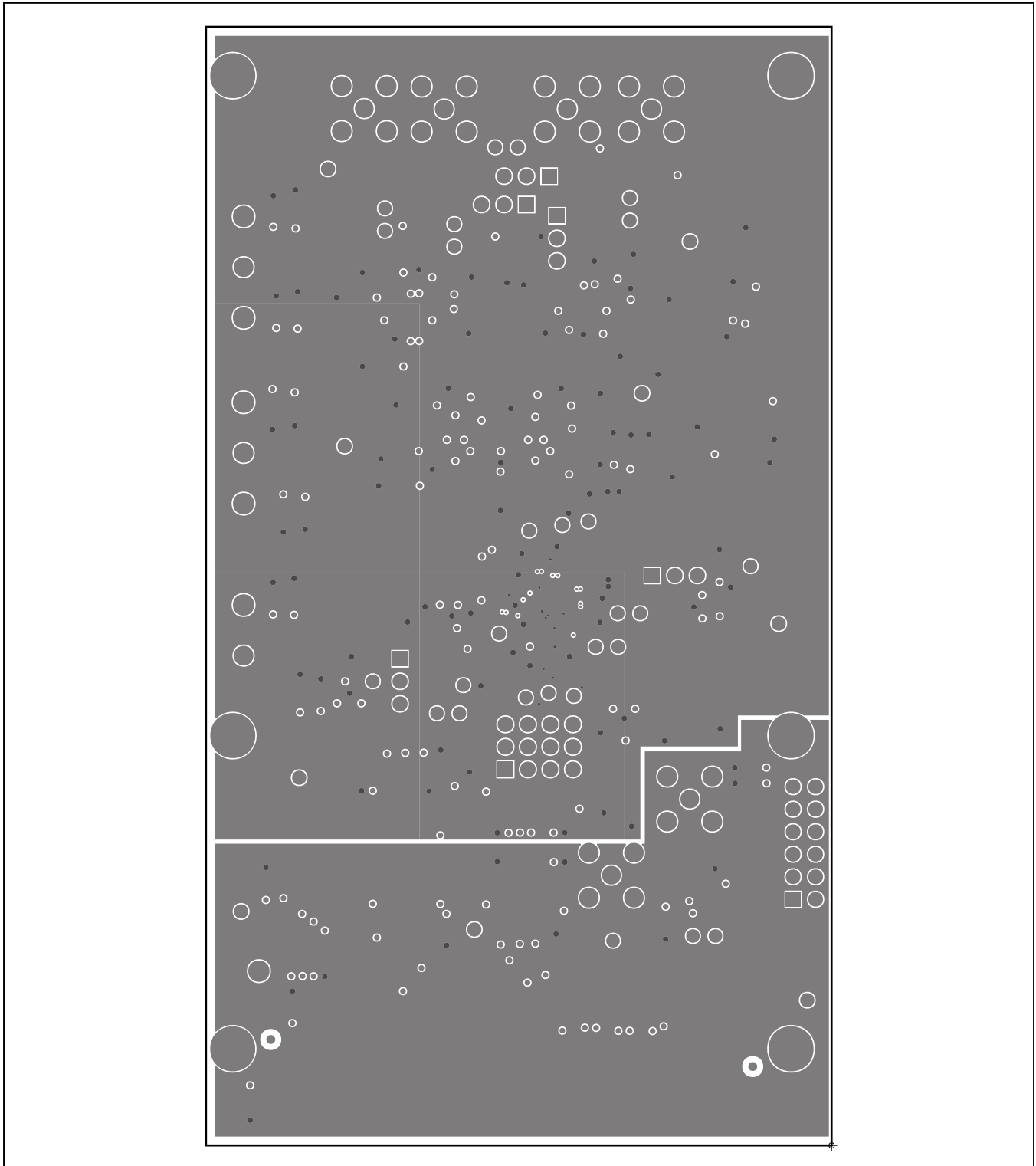


Figure 20. MAX11905 EV Kit PCB Layout—Layer 5

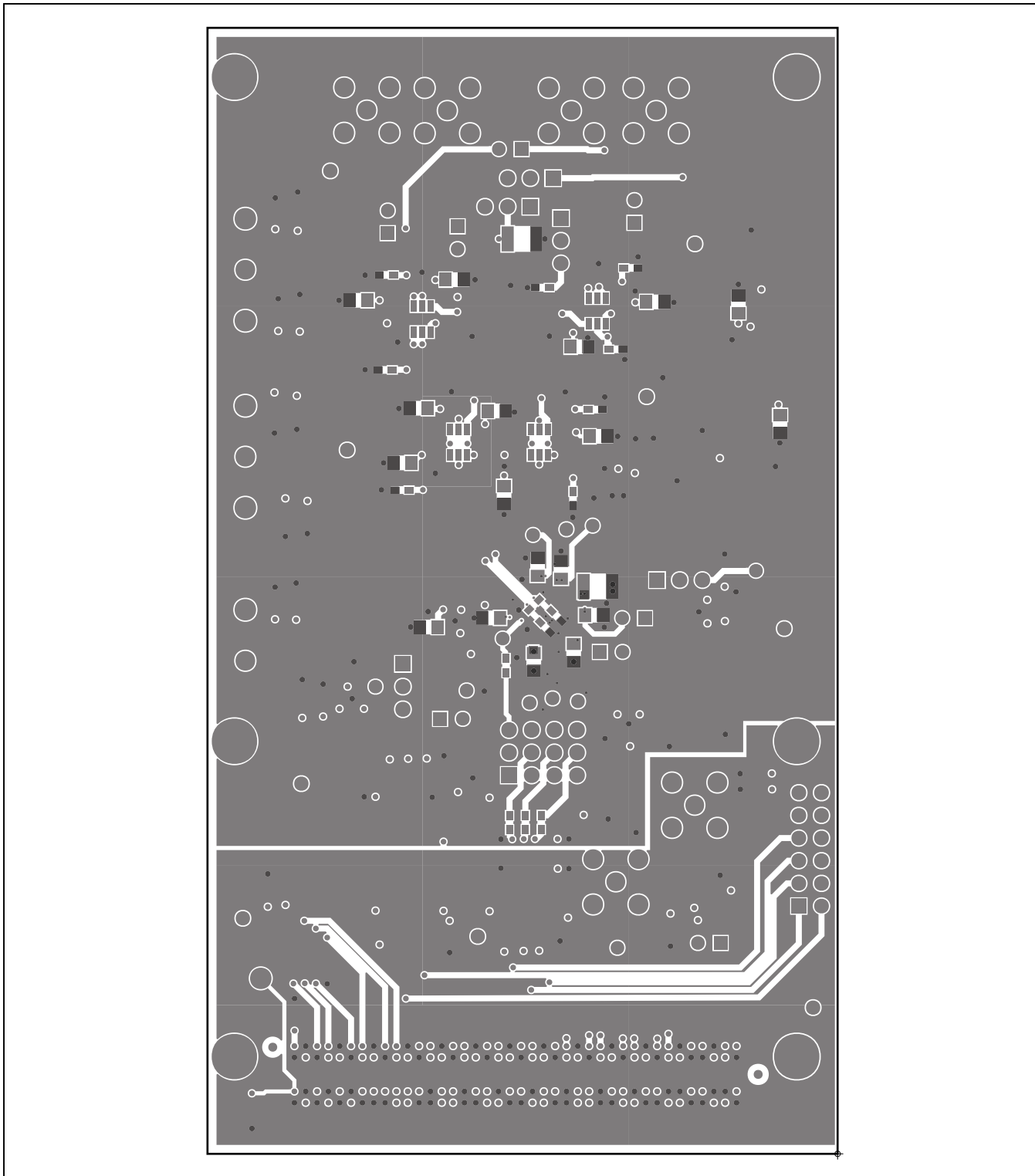


Figure 21. MAX11905 EV Kit PCB Layout—Solder Side

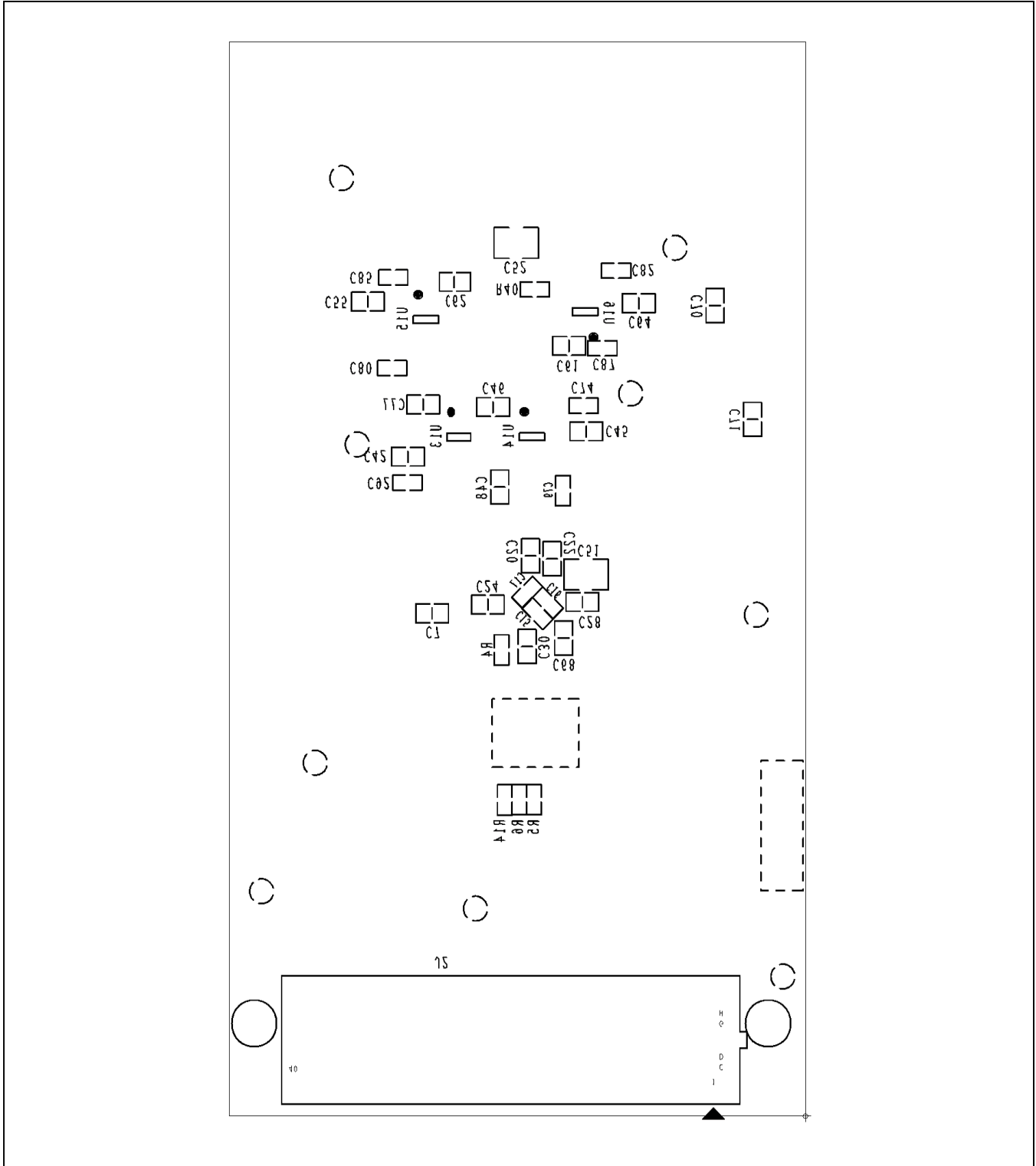


Figure 22. MAX11905 EV Kit Component Placement Guide—Solder Side

MAX11905 Evaluation Kit

Evaluates: MAX11900/MAX11901/
MAX11902/MAX11903/
MAX11904/MAX11905

MAX11905 EV Kit Bill of Materials

ITEM	QTY	REF DES	MFG PART #	MANUFACTURER	VALUE	DESCRIPTION
1	6	+5V,+15V,-15V, +5.5V,-5.5V,+3.3V_Z	5005	?	N/A	TESTPOINT WITH 1.80MM HOLE DIA, RED, COMPACT
2	5	C1,C4,C27,C44,C60	N/A	?	1000PF	CAPACITOR; SMT (0805); CERAMIC CHIP; 1000PF; 250V; TOL=5%; MODEL=; TG=-55 DEGC TO +125 DEGC; TC=C0G
3	34	C2,C3,C6,C8,C11, C13,C14,C18,C19,C23,C25, C29,C33,C34,C37,C39,C41, C43,C47,C49,C54,C57,C59, C63,C65,C69,C72,C89,C91, C94,C97,C99,C100,C103	N/A	?	0.1UF	CAPACITOR; SMT; 0603; CERAMIC; 0.1uF; 100V; 10%; X7R; -55degC to + 125degC; +/- 15% from -55degC to +125degC
4	25	C5,C7,C20,C22,C24, C28,C30,C32,C42,C45,C46, C48,C55,C56,C61,C62,C64, C68,C70,C71,C88,C90,C96, C98,C101	N/A	?	10UF	CAPACITOR; SMT (0805); CERAMIC CHIP; 10UF; 35V; TOL=10%; MODEL=C SERIES; TG=-55 DEGC TO +85 DEGC; TC=X5R
5	4	C9,C10,C26,C102	N/A	?	0.01UF	CAPACITOR; SMT (0603); CERAMIC CHIP; 0.01UF; 200V; TOL=10%; MODEL=; TG=-55 DEGC TO +125 DEGC; TC=X7R
6	1	C17	N/A	?	1000PF	CAPACITOR; SMT (0805); CERAMIC CHIP; 1000PF; 250V; TOL=5%; MODEL=; TG=-55 DEGC TO +125 DEGC; TC=C0G
7	5	C35,C36,C38,C93,C95	N/A	?	1UF	CAPACITOR; SMT (0603); CERAMIC CHIP; 1UF; 50V; TOL=10%; MODEL=_MK SERIES; TG=-55 DEGC TO +85 DEGC
8	4	C50-C52,C67	N/A	?	2.2UF	CAPACITOR; SMT (1210); CERAMIC CHIP; 2.2UF; 100V; TOL=10%; MODEL=GRM SERIES; TG=-55 DEGC to +125 DEGC; TC=X7R
9	1	C58	N/A	?	3300PF	CAPACITOR; SMT (1206); CERAMIC CHIP; 3300PF; 630V; TOL=5%; MODEL=; TG=-55 DEGC TO +125 DEGC; TC=C0G
10	9	CNVST, DIN, DOUT, DVDD, EXT_REFIN, OVDD, REF1, REF2, SCLK	PCC01SAAN	SULLINS	PCC01SAAN	CONNECTOR; MALE; THROUGH HOLE; BREAKAWAY; STRAIGHT THROUGH; 3PINS; - 65 DEGC TO +125 DEGC
11	6	INV+,INV-,DCLK_IN, NONINV+,NONINV- ,SYNC_OUT	5-1814832-1	TYCO	5-1814832-1	CONNECTOR; FEMALE; THROUGH HOLE; CONN SOCKET SMA STR DIE CAST PCB; STRAIGHT; 5PINS
12	9	GND1-GND6, GNDA1-GNDA3	5001	?	N/A	TEST POINT; PIN DIA=0.1IN; TOTAL LENGTH=0.3IN; BOARD HOLE=0.04IN; BLACK; PHOSPHOR BRONZE WIRE SILVER PLATE FINISH; RECOMMENDED FOR BOARD THICKNESS=0.062IN
13	3	GND15,GND5.5,GND_+5	5006	?	N/A	TEST POINT; PIN DIA=0.125IN; TOTAL LENGTH=0.35IN; BOARD HOLE=0.063IN; BLACK; PHOSPHOR BRONZE WIRE SILVER PLATE FINISH; RECOMMENDED FOR BOARD THICKNESS=0.062IN
14	1	J1	TSW-106-08-S-D-RA	SAMTEC	TSW-106-08-S-D-RA	CONNECTOR; THROUGH HOLE; DOUBLE ROW; RIGHT ANGLE; 12PINS; THIS PART IS DEDICATED FOR PMOD PERIPHERAL BOARD
15	1	J2	ASP-134604-01	SAMTEC	ASP-134604-01	CONNECTOR; MALE; SMT; HIGH SPEED/HIGH DENSITY OPEN PIN FIELD TERMINAL ARRAY; STRAIGHT; 160PINS
16	8	JU1-JU3, JU5, JU8, JU12, JU13, JU15	PCC02SAAN	SULLINS	PCC02SAAN	CONNECTOR; MALE; THROUGH HOLE; BREAKAWAY; STRAIGHT THROUGH; 3PINS; - 65 DEGC TO +125 DEGC
17	5	JU4,JU6,JU7,JU11,JU14	PCC03SAAN	SULLINS	PCC03SAAN	CONNECTOR; MALE; THROUGH HOLE; BREAKAWAY; STRAIGHT THROUGH; 3PINS; - 65 DEGC TO +125 DEGC

MAX11905 Evaluation Kit

Evaluates: MAX11900/MAX11901/
MAX11902/MAX11903/
MAX11904/MAX11905

MAX11905 EV Kit Bill of Materials (continued)

ITEM	QTY	REF DES	MFG PART #	MANUFACTURER	VALUE	DESCRIPTION
18	1	JU9	TSW-104-26-T-T	SAMTEC	TSW-104-26-T-T	CONNECTOR; MALE; THROUGH HOLE; TSW SERIES; TRIPLE ROW; 2.54MM PITCH; STRAIGHT; 12PINS
19	1	R1	N/A	?	100	RESISTOR; 0603; 100 OHM; 0.05%; 10PPM; 0.10W; THICK FILM
20	4	R2,R8,R30,R31	N/A	?	1K	RESISTOR; 0603; 1K, 0.1%, 10PPM, 1/16W, THIN FILM
21	8	R3,R7,R9,R12,R13,R25,R28,R29	N/A	?	2K	RESISTOR; 0603; 2K OHM; 0.1%; 10PPM; 0.063W; METAL FILM
22	9	R4,R5,R14,R15,R17,R18,R39,R42,R44	N/A	?	33	RESISTOR; 0603; 33 OHM; 1%; 100PPM; 0.10W; THICK FILM
23	3	R6,R16,R19	N/A	?	0	RESISTOR; 0603; 0 OHM; 0%; JUMPER; 0.10W; THICK FILM
24	2	R10,R11	N/A	?	499	RESISTOR; 0603; 499 OHM; 0.1%; 10PPM; 0.063W; METAL FILM
25	9	R21-R24,R35-R38,R43	N/A	?	100K	RESISTOR; 0603; 100K; 1%; 100PPM; 0.10W; THICK FILM
26	5	R26,R27,R32-R34	N/A	?	10	RESISTOR; 0603; 10 OHM; 0.1%; 10PPM; 0.063W; THICK FILM
27	2	R40,R41	N/A	?	49.9	RESISTOR; 0603; 49.9 OHM; 1%; 100PPM; 0.10W; THICK FILM
28	1	U1	MAX11905ETP+	MAXIM	MAX11905ETP+	IC; ADC; 20-BIT, 1.6MSPS, LOW-POWER, FULLY DIFFERENTIAL SAR ADC; TQFN20-EP 4X4
29	1	U2	MAX6126AASA30+	MAXIM	MAX6126AASA30	SERIES VOLTAGE REFERENCE
30	2	U3,U18	MAX14935FAWE+	MAXIM	MAX14935FAWE+	IC; DISO; FOUR-CHANNEL; 150MBPS; 5KV DIGITAL ISOLATOR; WSOIC16 300MIL
31	2	U4,U5	MAX8510EXK18	MAXIM	MAX8510EXK18	IC; VREG; ULTRA-LOW-NOISE; HIGH PSRR; LOW-DROPOUT; 0.12A LINEAR REGULATOR ; SC70-5
32	2	U6,U20	MAX8510EXK33+	MAXIM	MAX8510EXK33+	IC; VREG; ULTRA-LOW-NOISE; HIGH PSRR; LOW-DROPOUT; 0.12A LINEAR REGULATOR ; SC70-5
33	5	U7,U8,U10-U12	MAX9632ASA	MAXIM	MAX9632ASA	IC; OPAMP; PRECISION, LOW-NOISE, WIDE-BAND AMPLIFIER; NSOIC8 150MIL; -40 DEGC TO +125 DEGC-OBSOLETE; REPLACE ROHS COMPLIANT VALUE
34	1	U17	M25P16-VMW6TG	MICRON TECHNOLOGY INC	M25P16-VMW6TG	IC; MMRY; 16MBIT; SERIAL FLASH MEMORY; 75MHZ SPI BUS INTERFACE; MSOIC8 200MIL
35	1	U21	74LVC1G126GV	NXP	74LVC1G126GV	IC; DRV; SINGLE BUS BUFFER/LINE DRIVER; 3-STATE; SOT753
35	1		N/A	MAXIM	PCB	PCB; ECPB1190X
TOTAL	205					

Ordering Information

PART	TYPE
MAX11905EVKIT#	EV Kit

#Denotes RoHS compliant.

Contact Avnet to purchase a ZedBoard to communicate with the MAX11905 EV kit.

MAX11905 Evaluation Kit

Evaluates: MAX11900/MAX11901/
MAX11902/MAX11903/
MAX11904/MAX11905

Revision History

REVISION NUMBER	REVISION DATE	DESCRIPTION	PAGES CHANGED
0	5/14	Initial release	—
1	3/15	Added the evaluation of MAX11900, MAX11901, MAX11902, MAX11903, and MAX11904	1–29
2	8/17	Updated <i>Quick Start</i> section, schematic, and added <i>Bill of Materials</i>	2, 17, 27

For pricing, delivery, and ordering information, please contact Maxim Direct at 1-888-629-4642, or visit Maxim Integrated's website at www.maximintegrated.com.

Maxim Integrated cannot assume responsibility for use of any circuitry other than circuitry entirely embodied in a Maxim Integrated product. No circuit patent licenses are implied. Maxim Integrated reserves the right to change the circuitry and specifications without notice at any time.

X-ON Electronics

Largest Supplier of Electrical and Electronic Components

Click to view similar products for [Data Conversion IC Development Tools](#) category:

Click to view products by [Maxim](#) manufacturer:

Other Similar products are found below :

[EVAL-AD7265EDZ](#) [EVAL-AD7719EBZ](#) [EVAL-AD7767-1EDZ](#) [EVAL-AD7995EBZ](#) [AD9211-200EBZ](#) [AD9251-20EBZ](#) [AD9251-65EBZ](#)
[AD9613-170EBZ](#) [AD9629-20EBZ](#) [AD9716-DPG2-EBZ](#) [AD9737A-EBZ](#) [AD9993-EBZ](#) [DAC8555EVM](#) [EVAL-AD5061EBZ](#) [EVAL-](#)
[AD5062EBZ](#) [EVAL-AD5443-DBRDZ](#) [EVAL-AD5570SDZ](#) [EVAL-AD7992EBZ](#) [EVAL-AD7994EBZ](#) [AD9119-MIX-EBZ](#) [AD9233-125EBZ](#)
[AD9629-80EBZ](#) [AD9650-80EBZ](#) [AD9767-EBZ](#) [DAC8531EVM](#) [LM96080EB/NOPB](#) [EVAL-AD5445SDZ](#) [EVAL-AD5660EBZ](#) [EVAL-](#)
[AD7685SDZ](#) [EVAL-AD7687SDZ](#) [MAX5318PMB#](#) [MAX1246EVL11-QSOP](#) [MAX117EVKIT-DIP](#) [DC2365A-C](#) [DC2795A-B](#) [DC2795A-A](#)
[DAC088S085EB/NOPB](#) [SIM8909-EVB-KIT](#) [82635ASRCDVKHV 961443](#) [DC1466B-B](#) [EVAL-AD5413SDZ](#) [ADC12D1600RB/NOPB](#) [1083](#)
[RFPDK FOR CMT2X5X](#) [TS7003DB](#) [TSC2014EVM-PDK](#) [MOD-USB3G](#) [KDC5514EVALZ](#) [650201392G](#) [ISL28005FH-100EVAL1Z](#)