

MAX14912/MAX14913 Evaluation Kit

Evaluates: MAX14912/MAX14913

General Description

The MAX14912/MAX14913 evaluation kit (EV kit) provides a proven design to evaluate the MAX14912 or MAX14913 octal digital output driver. The EV kit includes an evaluation board and a graphical user interface (GUI) that provides communication from a PC to the target device through a USB port.

The EV kit includes Windows 7, Windows 8 and Windows 10 compatible software for exercising the features of the IC. The EV kit GUI allows controlling the MAX14912/MAX14913 in either Parallel Mode or Serial (SPI) Mode.

The EV kit must be powered from an external +24V power supply and can consume up to 10A when fully loaded.

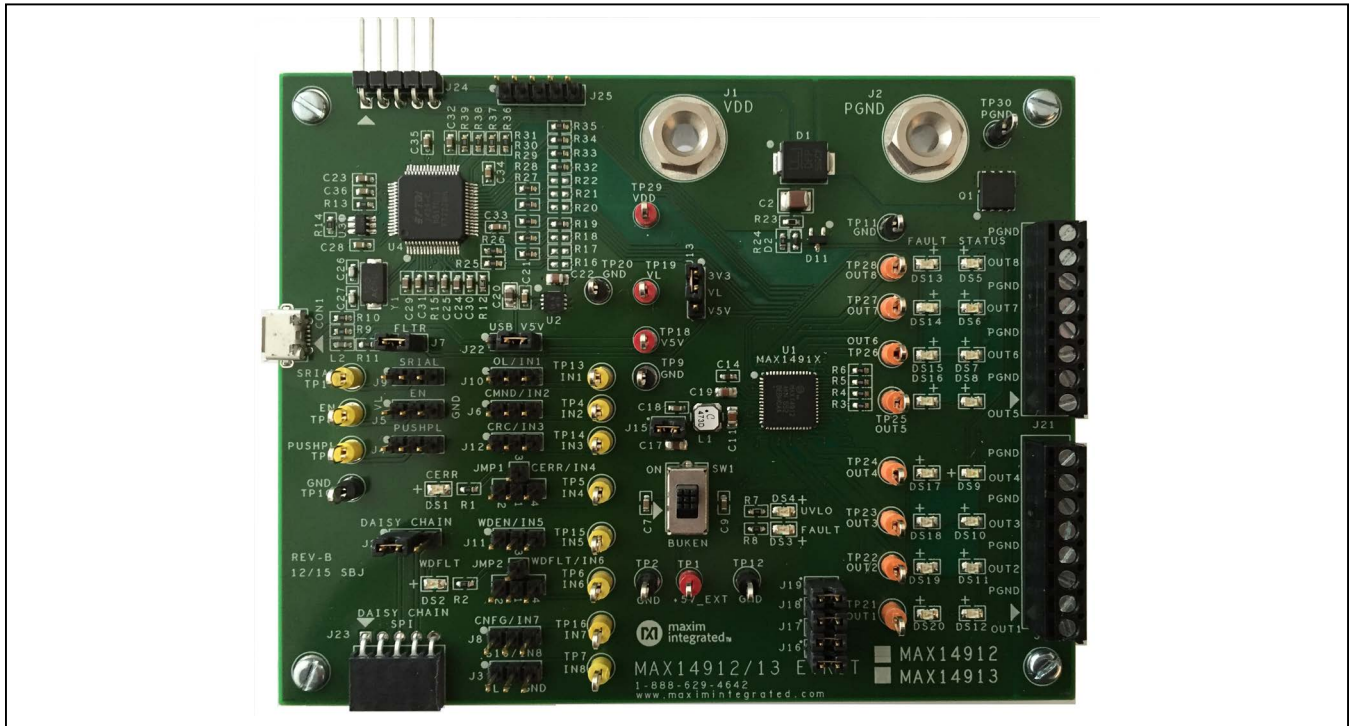
The MAX14912EVKIT/MAX14913EVKIT comes with a MAX14912AKN+, or MAX14913AKN+ installed in a 56-pin, 8 x 8mm TQFN-EP package.

Features

- Robust Operation with Wide Range of Input Voltages and Load Conditions
- SPI Interface with up to 20MHz Clock Rate
- Parallel Interface with up to 200kHz Switching Rate
- Manual Control in Parallel Mode
- Wide Logic Voltage Range
- -40°C to +125°C Temperature Range
- On-Board LED Indication of Status and Fault Conditions
- Daisy-Chain Capability
- Reverse-Voltage Protection
- Proven PCB Layout
- Fully Assembled and Tested
- Windows® 7, Windows 8 and Windows 10 Compatible Software

Ordering Information appears at end of data sheet.

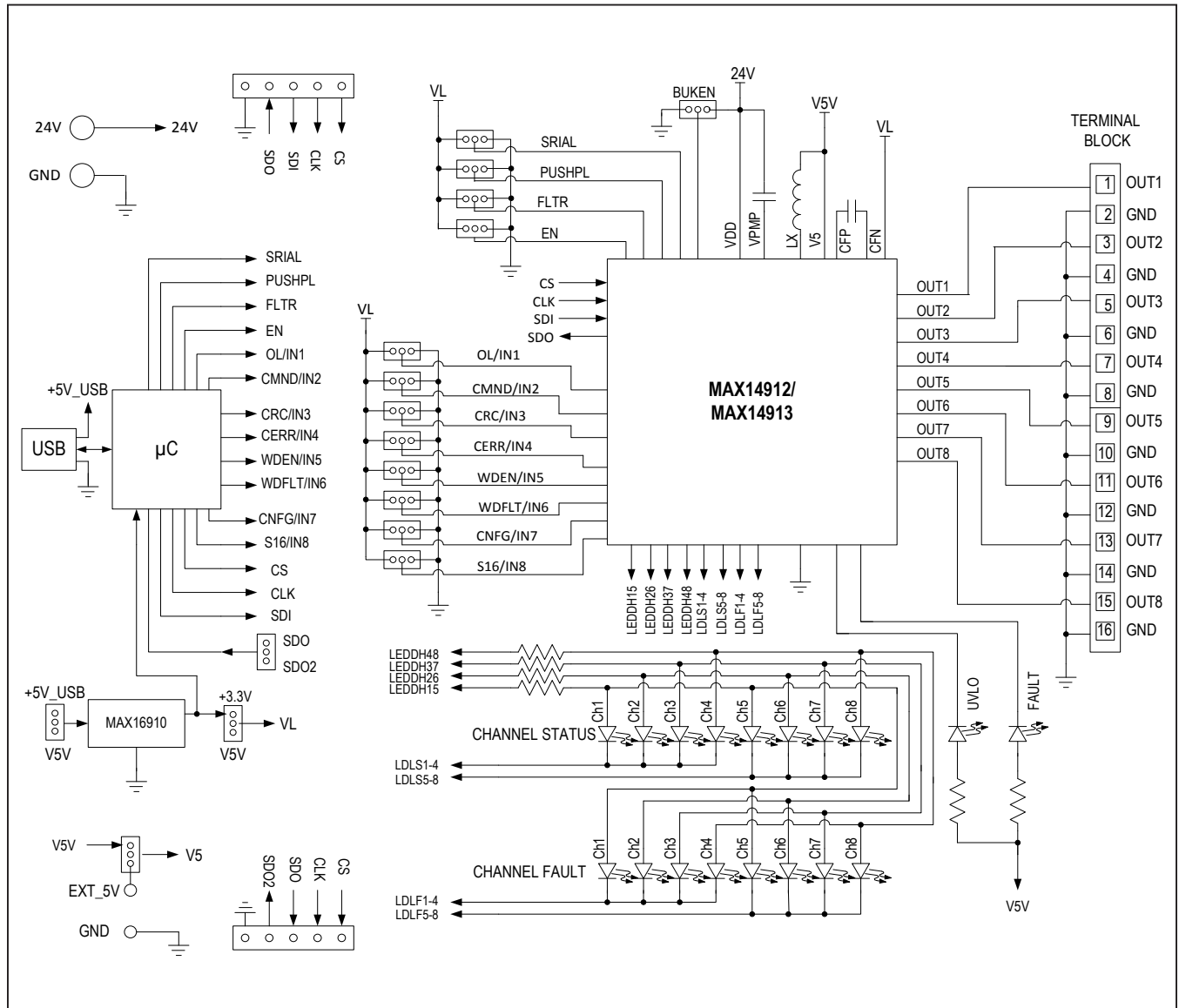
MAX14912/MAX14913 EV Kit Board Photo



Windows is a registered trademark and registered service mark of Microsoft Corporation.



System Block Diagram



MAX14912/MAX14913EV Kit Files

FILE	DESCRIPTION
MAX14912EVKITSetupV1.0.exe	Application Program (GUI)

Quick Start

Required Equipment

- MAX14912/MAX14913 EV kit
- +24V power supply
- Voltmeter (optional)
- Oscilloscope (optional)
- PC with installed Windows 7, Windows 8 or Windows 10 and USB port

Note: In the following section(s), software-related items are identified by bolding. Text in bold refers to items directly from the EV system software. Text in **bold and underline** refers to items from the Windows operating system.

Procedure

The EV kit is fully assembled and tested. Follow the steps below to verify board operation:

- 1) Visit www.maximintegrated.com/evkitssoftware to download the latest version of the EV kit software, MAX14912EVKIT.ZIP. Save the EV kit software to a temporary folder and uncompress the ZIP file.
- 2) Install the EV kit software on your computer by running the MAX14912EVKITSetupV1.0.exe program inside the temporary folder. The program files are copied to your PC and icons are created in the Windows **Start | Programs** menu.
- 3) Verify that all jumpers are in their default positions for the SPI or parallel mode operation ([Table 1](#)). Note that the hardware is configured for SPI communication by default.
- 4) Power up the EV kit with +24V from external power supply.
- 5) Start the EV kit software by opening its icon in the **Start | Programs** menu. The EV kit software appears as shown in [Figure 1](#). Verify that the lower-right status bar indicates the EV kit hardware is **Connected**. The GUI automatically detects which EV kit is connected to the PC, the MAX14912 or MAX14913, and enables

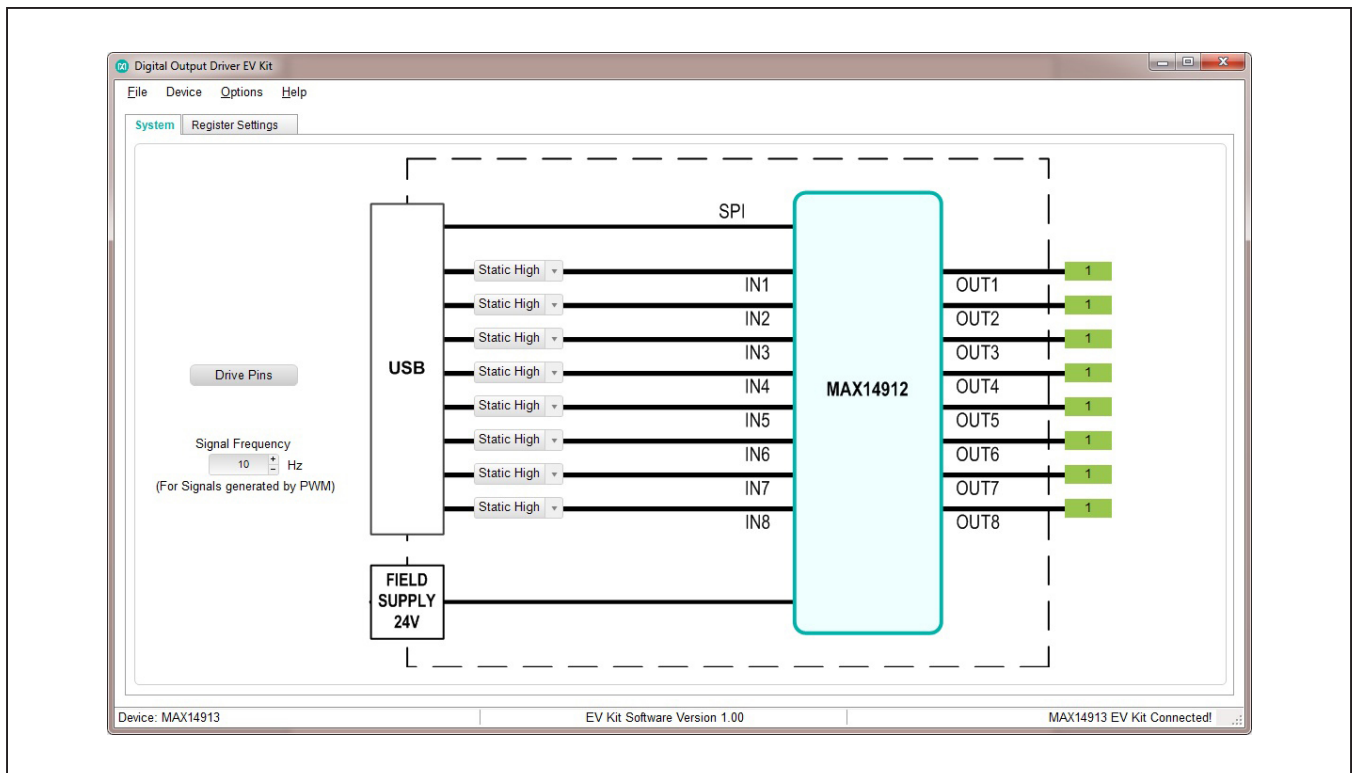


Figure 1. Digital Output Driver EV Kit GUI. System Tab

Table 1. MAX14912/MAX14913 Board Shunt Positions and Settings

HEADER	SHUNT POSITION	DESCRIPTION
J3	Open*	Set IN8 high or low/select 16-bit or 8-bit SPI operation in GUI
	1-2	Set IN8 high and OUT8 on/high (stand-alone parallel mode)
	2-3	Set IN8 low and OUT8 off/low (stand-alone parallel mode)
J4	Open*	Set push-pull or high-side mode in GUI
	1-2	Set push-pull mode (stand-alone parallel mode)
	2-3	Set high-side mode (stand-alone parallel mode)
J5	Open*	Enable/disable outputs in GUI
	1-2	Enable outputs (stand-alone parallel mode)
	2-3	Disable (three-state) outputs (stand-alone parallel mode)
J6	Open*	Set IN2 high or low/enable command mode
	1-2	Set IN2 high and OUT2 on/high (stand-alone parallel mode)
	2-3	Set IN2 low and OUT2 off/low (stand-alone parallel mode)
J7	1-2*	Enable glitch filtering on all parallel logic inputs and \overline{CS}
	Open	Disable parallel logic glitch filtering
J8	Open*	Set IN7 high or low/Enable configuration command in GUI
	1-2	Set IN7 high and OUT7 on/high (stand-alone parallel mode)
	2-3	Set IN7 low and OUT7 off/low (stand-alone parallel mode)
J9	Open*	Select serial or parallel interface active in GUI
	1-2	Enable serial peripheral interface (SPI)
	2-3	Enable parallel interface (stand-alone parallel mode)
J10	Open*	Enable/disable open-load detection/Set IN1 in GUI
	1-2	Set IN1 high and OUT1 on/high (stand-alone parallel mode)
	2-3	Set IN1 low and OUT1 off/low (stand-alone parallel mode)
J11	Open*	Enable watchdog timer/set IN5 in GUI
	1-2	Set IN5 high and OUT5 on/high (stand-alone parallel mode)
	2-3	Set IN5 low and OUT5 off/low (stand-alone parallel mode)
J12	Open*	Enable or disable CRC detection/set IN3 in GUI
	1-2	Set IN3 high and OUT3 on/high (stand-alone parallel mode)
	2-3	Set IN3 low and OUT3 off/low (stand-alone parallel mode)
J13	1-2*	Select 3.3V logic level
	2-3	Select 5V logic level
J15	1-2*	5V supply. Replace J15 shunt with a current meter to measure power consumption.
J16	1-2*	Connect Status and Fault LED anodes for outputs 1 and 5 to the driver
	Open	Disconnect Status and Fault LED anodes for outputs 1 and 5 to the driver

Table 1. MAX14912/MAX14913 Board Shunt Positions and Settings (continued)

HEADER	SHUNT POSITION	DESCRIPTION
J17	1-2*	Connect Status and Fault LED anodes for outputs 2 and 6 to the driver
	Open	Disconnect Status and Fault LED anodes for outputs 2 and 6 to the driver
J18	1-2*	Connect Status and Fault LED anodes for outputs 3 and 7 to the driver
	Open	Disconnect Status and Fault LED anodes for outputs 3 and 7 to the driver
J19	1-2*	Connect Status and Fault LED anodes for outputs 4 and 8 to the driver
	Open	Disconnect Status and Fault LED anodes for outputs 4 and 8 to the driver
J22	1-2	Select 5V power to U4 from USB port (CON1)
	2-3*	Select 5V power to U4 from integrated buck regulator (U1)
J26	1-2*	Disable daisy-chain communication
	2-3	Enable daisy-chaining of two boards and use GUI to send a command
JMP1	Open*	Enable CRC Error Detection output/Set IN4 high or low in GUI
	1-2	Set IN4 high and OUT4 on/high (stand-alone parallel mode)
	1-4	Set IN4 low and OUT4 off/low (stand-alone parallel mode)
	1-3	Connect CERR LED (DS1) to U1 to indicate communication error if CRC is enabled on J12
JMP2	Open*	Enable watchdog fault output/set IN6 high or low in GUI
	1-2	Set IN6 high and OUT6 on/high (stand-alone parallel mode)
	1-4	Set IN6 low and OUT6 off/low (stand-alone parallel mode)
	1-3	Connect WDFLT LED (DS2) to U1 to indicate communication error if Watchdog is enabled on J11
SW1	2-3, 5-6*	Enable buck regulator of U1 to generate 5V (ON position)
	1-2, 4-5	Disable buck regulator of U1. Provide an external +5V to TP1.

*Default configuration.

serial command mode communication. Any configuration change can be made on Register Settings tab. (The following steps are used to verify functionality of the devices.)

- 6) Select **System** tab.
- 7) Configure each input signal as **Static High** from the pull-down menu, as shown in [Figure 1](#).
- 8) Click on **Drive Pins** button on the left-side of the GUI.
- 9) Observe all the status LEDs (DS5 to DS12) light up, and measured output voltages on corresponding OUT_ test point match V_{DD} level.
- 10) Change the input signal to **Static Low** from the pulldown menu and observe as corresponding LED turned off.
- 11) Change the input signal to **Static PWM**. Select the duty cycle from the pulldown menu, refer to [Figure 2](#), and observe the output on corresponding OUT_ test point by oscilloscope.

General Description of Software

When the GUI starts, it automatically detects which device is connected to the PC and indicates that in the status bar at the bottom-edge of the GUI. There are two tabs available to control the EV kit. The **System** tab provides system-level control of the selected output pins, including static or dynamic PWM (Pulse-Width Modulation) output in either serial or parallel Mode. The **Register Settings** tab provides full control of the device, including mode selection, per-channel configuration, and enhanced diagnostics of the device. In Serial mode, the SPI clock is set to 5MHz.

System Tab

The **System** tab allows driving the output pins by setting up the input signal to the device through the on-board USB to SPI/GPIO bridge IC, U4. Each input pin can be configured as Static High, Static Low, Static PWM, or PWM from the pulldown menu on the input lines in the block diagram shown in the **System** tab. Refer to [Figure 3](#).

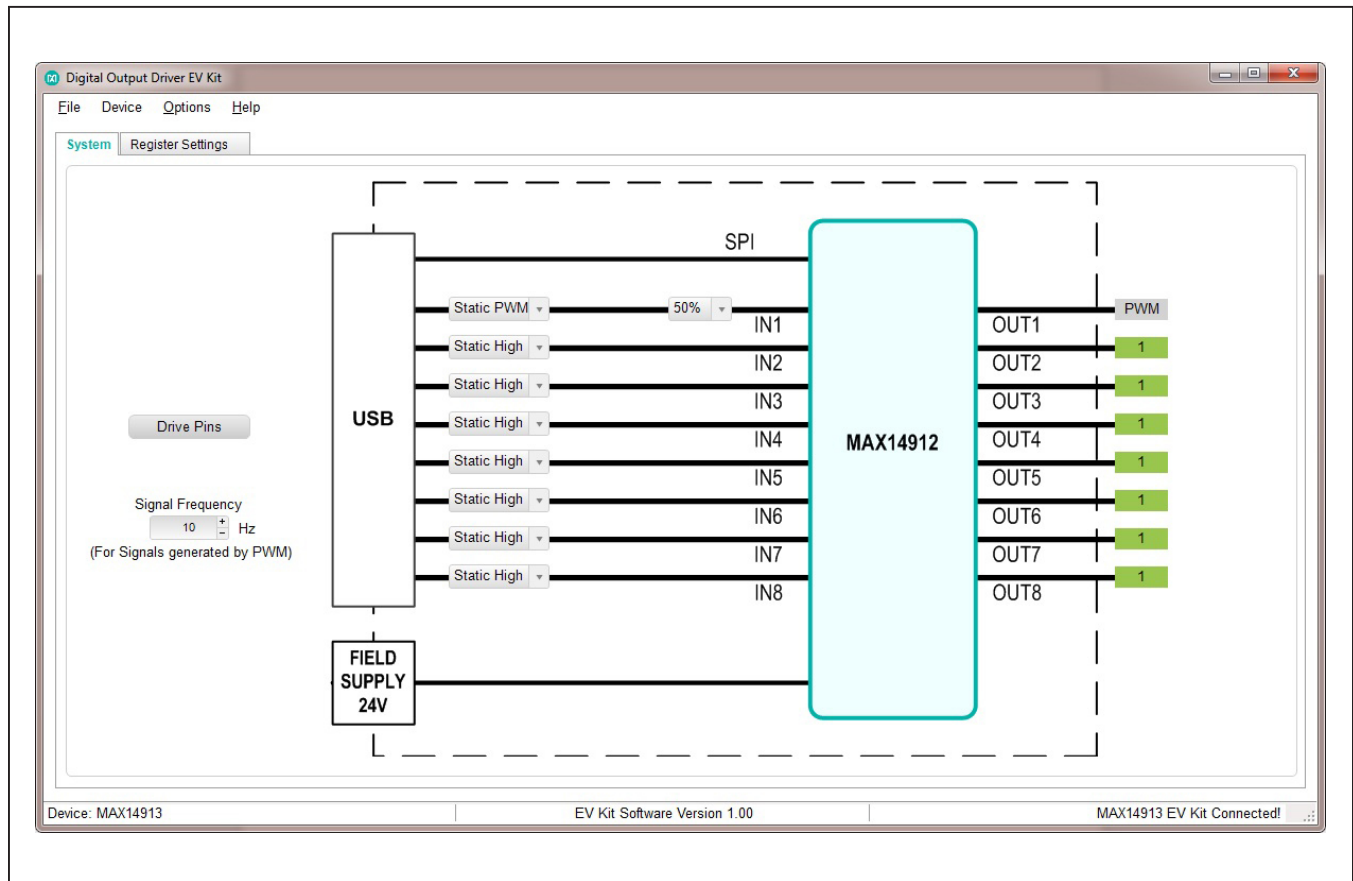


Figure 2. System Tab. Static PWM Configuration

Click **Drive Pins** button on the left-side of the GUI after configuring the inputs. The outputs follow the state of the inputs, while indicators connected to the OUT_ pins show the static state or dynamic operation mode.

Connect the oscilloscope probe to OUT_ pin to see the output signal in real-time.

In static PWM and PWM mode, the GUI generates a 1kHz (if SRIAL pin is high) or 20kHz (if SRIAL pin is low) square wave. The level of modulation is selectable from the pulldown menu from 0% to 100%. Refer to [Figure 2](#).

In PWM mode, the signal is modulated by a selected waveform. It can be either a sine wave with a selectable phase, triangle, or sawtooth wave. Refer to [Figure 3](#). The modulation frequency is adjustable from 0Hz up to 60Hz by pressing the + or - buttons. This feature is useful to control small motors, including 3-phase motors, and actuators.

Register Settings Tab

The **Register Settings** tab is used for detailed configuration of the device to explore all the available features in either parallel (SRIAL is low) or serial (SPI) mode (SRIAL is high). SPI communication is also available in parallel mode with the MAX14912. For a detailed explanation of the features, refer to the MAX14912/MAX14913 data sheet. The mode and pin configuration can be set through the MAX14912 I/O pins control group box on the right-side of the tab. Refer to [Figure 4](#). The pin set slide buttons allow the setting of the input pins high or low, while the read status boxes provide visual colored states of the input/output pins.

The EV kit supports a number of different devices, as listed in [Table 3](#).

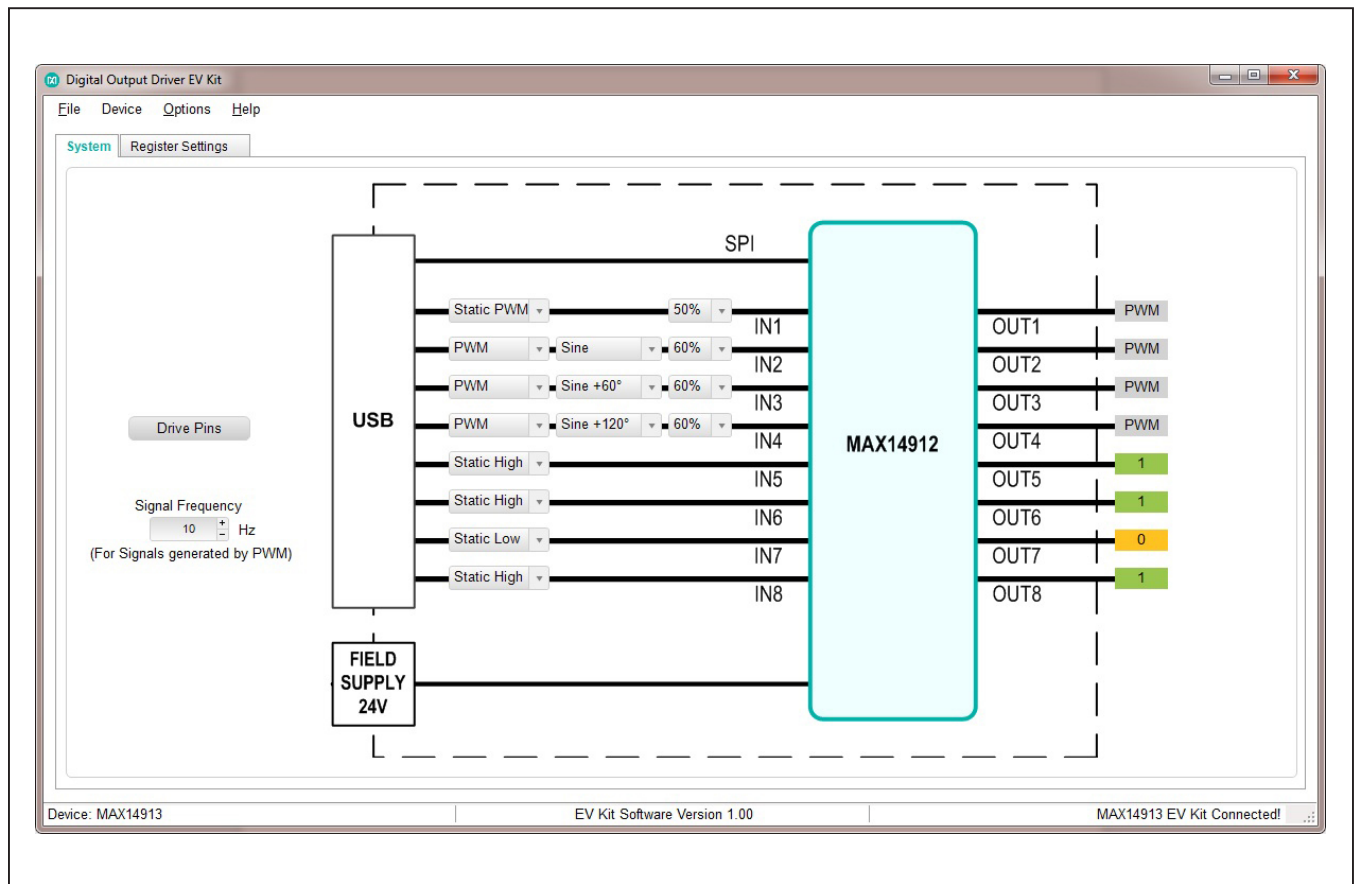


Figure 3. System Tab. PWM Configuration

User-Supplied SPI

To evaluate the EV kit with a user-supplied SPI bus, disconnect the board from the PC. Apply the user-supplied CS, SCLK (CLK), MOSI (SDI) and MISO (SDO) to the J25 header. Make sure the master ground is connected to the J25.5 ground pin.

The logic level of the external SPI host should be compatible with the J13 shunt selection, (e.g., 3.3V or 5V). Use an external VL logic supply to TP19 to support different logic levels from 1.6V to 5.5V. In this case, J13 shunt should be removed.

Daisy-Chaining

The two MAX1491X EV kits can be daisy-chained by pairing J24 of board #2 and J23 of board #1 in order to control 16 outputs through a single SPI host. The J26 jumper of board #1 must be set to 2-3 position and both boards have to be powered from an external +24V. The PC should be connected to board #1.

It is also required that board #2 has installed jumpers for SPI communication: J9: 1-2, J5: 1-2, J6: 1-2, J12: 2-3, and J11: 2-3.

The daisy-chain feature is not supported by rev 1.0 GUI and can be evaluated using user-supplied SPI interface. Refer to the MAX14912/MAX14913 data sheet for daisy-chain command description.

External +5V Power Supply

An external +5V voltage can supply to TP1, +5V_EXT. In this case the internal dc-dc controller should be disabled (BUKEN = low) by switching SW1 into off position.

Reverse-Voltage Protection

The EV kit has reverse-voltage protection circuitry built on the return path of the supply current. During normal operation, the Q1 nMOSFET is ON since the gate voltage is about 7.5V higher than the source. Very low R_{ON} of Q1 MOSFET helps to minimize voltage drop and power dissipation to a negligible level. If V_{DD} becomes negative with respect to the supply ground, the MOSFET is turned off and disconnects the current path.

Stand-Alone Operation

The EV kit can work without connecting to a PC. In this case, jumpers should set the inputs, refer to [Table 1](#) for proper shunt positions. In stand-alone operation, the devices should be configured for parallel mode. It is recommended to enable internal de-bouncing by placing the J7 shunt for proper operation.

This EV kit comes with two assembly options:

The MAX14912EVKIT# comes with a MAX14912ATE+ in a 56-pin TQFN package.

The MAX14913EVKIT# comes with a MAX14913ATE+ in a 56-pin TQFN package.

Both EV Kit variations use the same PCB and bill of materials, and the only variation is the IC assembled at U1.

Table 3. Products supported with MAX14912/MAX14913 EV kit

PART #	DESCRIPTION
MAX14912	Octal High-Speed Output Driver
MAX14913	Octal High-Speed Output Driver

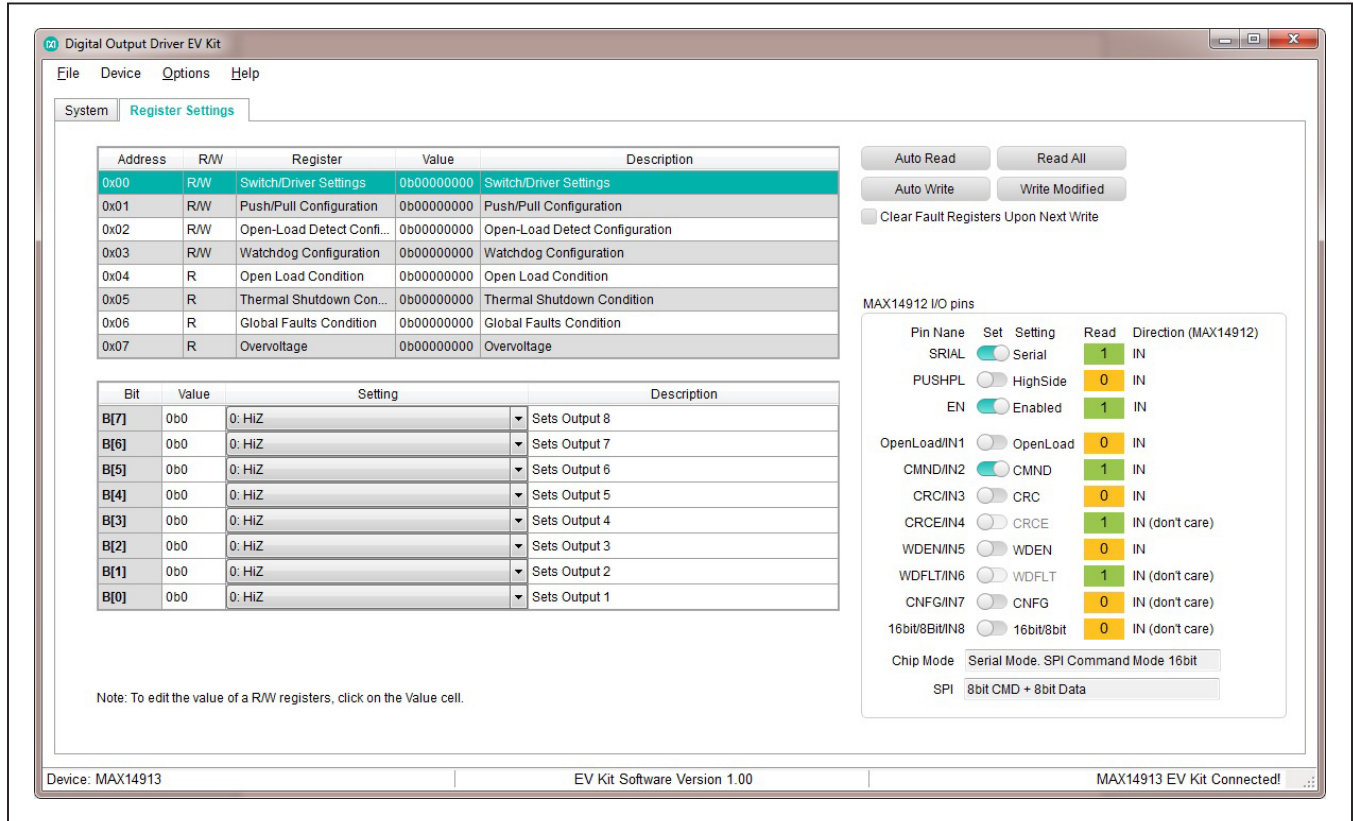


Figure 4. Digital Output Driver EV Kit GUI. Register Settings Tab

The two tables on the left side of the tab are the register map (upper table) and bit-by-bit control and description table (lower table). When the register is selected in upper table, the lower table gives the description of each bit and allows changing the register settings using drop down menus for writable registers 0x00 to 0x03. The register setting can be changed directly in the register map table by double clicking on the Value cell. Each data entry should follow by the "Enter/Return" button on the keyboard. The Value cell accepts binary (0b), decimal or hex (0x) numbers and automatically convert them into binary format. The modified register changes its color from black to red until the data will be actually written to the register. There are several write and read options available through the corresponding control buttons on the upper right side of the GUI.

When the **Auto Write** button is selected, any data typed in, or selected through, the **Setting** pulldown menu will be automatically written into the corresponding writable register. The button renamed to **Stop Auto Write** and auto write function can be canceled by clicking on this button second time.

When the **Auto Read** button is selected, the write function is disabled and the GUI is constantly monitoring the status and fault conditions of the device. Clicking a second time on the button, which becomes **Stop Auto Read**, allows canceling this operation.

The **Read All** button performs a read operation of all registers after each click.

When any fault conditions occur, they will set the bit(s) in the corresponding read-only registers 0x04 to 0x07. The fault conditions should be carefully evaluated and removed externally (overvoltage/under voltage, overload, open load, etc.). After that, select the **Clear Fault Registers Upon Next Write** check box and perform any write/read operation to clear fault bits.

The **Write Modified** button performs write operation to all modified registers after each click.

Component List, PCB Layout, and Schematic

See the following links for component information, PCB layout diagrams, and schematics.

- [MAX14912/MAX14913 EV BOM](#)
- [MAX14912/MAX14913 EV PCB Layout](#)
- [MAX14912/MAX14913 EV Schematics](#)

Ordering Information

PART	TYPE
MAX14912EVKIT#*	EVKIT
MAX14913EVKIT#	EVKIT

*Future Product—Contact factory for availability.

#Denotes RoHS compliant package.

Revision History

REVISION NUMBER	REVISION DATE	DESCRIPTION	PAGES CHANGED
0	3/16	Initial release	—

For pricing, delivery, and ordering information, please contact Maxim Direct at 1-888-629-4642, or visit Maxim Integrated's website at www.maximintegrated.com.

Maxim Integrated cannot assume responsibility for use of any circuitry other than circuitry entirely embodied in a Maxim Integrated product. No circuit patent licenses are implied. Maxim Integrated reserves the right to change the circuitry and specifications without notice at any time.

TITLE: Bill of Materials

DATE: 12/11/2015

DESIGN: max14912_evkit_b

NOTE: DNI--> DO NOT INSTALL ; DNP--> DO NOT PROCURE

ITEM	REF_DES	DNI/ DNP	QTY	MFG PART #	MANUFAC TURER	VALUE	DESCRIPTION
1	C2	-	1	C3225X7S1H106K250AB	TDK	10UF	CAPACITOR; SMT (1210); CERAMIC CH TOL=10%; TG=-55 DEGC TO +125 DEG
2	C3-C6, C8, C10, C12, C13, C15, C16, C20	-	11	GMK212B7105KG	TAIYO YUDEN	1.0UF	CAPACITOR; SMT (0805); CERAMIC; 1U TOL=10%; MODEL=GMK SERIES; TG=- +125 DEGC; TC=X7R
3	C7, C9, C18, C21, C25, C28, C30-C36	-	13	GRM188R72A104KA35; CC0603KRX7R0BB104	MURATA; TDK	0.1UF	CAPACITOR; SMT (0603); CERAMIC CH 100V; TOL=10%; TG=-55 DEGC TO +125 TC=X7R
4	C11, C17, C19, C22	-	4	CGA4J1X7S1C106K125	TDK	10UF	CAPACITOR; SMT (0805); CERAMIC CH TOL=10%; TG=-55 DEGC TO +125 DEG AUTO
5	C14	-	1	GRM188F51H224ZA01D	MURATA	0.22UF	CAPACITOR; SMT (0603); CERAMIC CH 50V; TOL=20%; MODEL=Y5V; TG=-55 D DEGC; TC=+
6	C23, C24, C29	-	3	C1608X5R1E475K080AC	TDK	4.7UF	CAPACITOR; SMT (0603); CERAMIC CH TOL=10%; MODEL=C SERIES; TG=-55 D DEGC; TC=X5R
7	C26, C27	-	2	C0603HQN101-180FNP	KEMET/VE NKEL	18PF	CAPACITOR; SMT; 0603; CERAMIC; 18 C0G; -55degC to + 125degC; 0 +/-30PPM
8	CON1	-	1	ZX62RD-AB-5P8	HIROSE ELECTRIC CO LTD.	ZX62RD- AB-5P8	CONNECTOR; MALE; SMT; MICRO-USE MEETING REQUIREMENTS OF USB 2.0 RIGHT ANGLE; 5PINS
9	D1	-	1	SMDJ36CA	LITTELFU SE	36V	DIODE; TVS; SMC (DO-214AB); VRM=36
10	D2	-	1	RB751S40	FAIRCHIL D SEMICON DUCTOR	RB751S 40	DIODE; SCH; SMT (SOD-523F); PIV=40V
11	D11	-	1	BZX84-A7V5	NXP	7.5V	DIODE; ZNR; SMT (SOT-23); VZ=7.5V; IZ
12	DS1-DS4, DS13- DS20	-	12	LTST-C171KRKT	LITE-ON ELECTRO NICS; INC.	LTST- C171KR KT	DIODE; LED; STANDARD; RED; SMT (0805) IF=0.08A; -55 DEGC TO +85 DEGC

13	DS5-DS12	-	8	LTST-C171GKT	LITE-ON ELECTRONICS; INC.	LTST-C171GKT	DIODE; LED; STANDARD; GREEN; SMT; PIV=5.0V; IF=0.12A; -55 DEGC TO +85 DEGC
14	J1, J2	-	2		POMONA ELECTRONICS	3267	CONNECTOR; MALE; PANELMOUNT; STRAIGHT THROUGH; UNINSULATED BANANA JACK; STRAIGHT THROUGH
15	J3-J6, J8-J13, J22, J26	-	12	PCC03SAAN	SULLINS	PCC03SAAN	CONNECTOR; MALE; THROUGH HOLE STRAIGHT THROUGH; 3PINS; -65 DEGC TO +125 DEGC
16	J7, J15-J19	-	6	PCC02SAAN	SULLINS	PCC02SAAN	CONNECTOR; MALE; THROUGH HOLE STRAIGHT THROUGH; 2PINS; -65 DEGC TO +125 DEGC
17	J20, J21	-	2	OSTTE080104	ON-SHORE TECHNOLOGY INC.	OSTTE080104	CONNECTOR; MALE; THROUGH HOLE BLOCKS-WIRE TO BOARD; STRAIGHT THROUGH
18	J23	-	1	SSQ-105-02-L-S-RA	SAMTEC	SSQ-105-02-L-S-RA	CONNECTOR; FEMALE; THROUGH HOLE STRAIGHT THROUGH; 5PINS; 0.025IN SQ POST SOCKET; RIGHT ANGLE
19	J24	-	1	TSW-105-25-T-S-RA	SAMTEC	TSW-105-25-T-S-RA	CONNECTOR; MALE; THROUGH HOLE POST HEADER; RIGHT ANGLE; 5PINS
20	J25	-	1	PBC05SAAN	SULLINS ELECTRONICS CORP.	PBC05SAAN	CONNECTOR; MALE; THROUGH HOLE STRAIGHT THROUGH; 5PINS; -65 DEGC TO +125 DEGC
21	JMP1, JMP2	-	2	PEC04SAAN	SULLINS ELECTRONICS CORP.	PEC04SAAN	CONNECTOR; MALE; THROUGH HOLE STRAIGHT THROUGH; 4PINS
22	L1	-	1	LPS4018-104MR	COILCRAFT	100UH	INDUCTOR; SMT; FERRITE BOBBIN CORE; TOL=+/-20%; 0.56A
23	L2	-	1	MMZ1608B601C	TDK	600	INDUCTOR; SMT (0603); FERRITE-BEAD CORE; TOL=+/-25%; 0.5A; -55 DEGC TO +125 DEGC
24	Q1	-	1	AON6452	ALPHA & OMEGA SEMICONDUCTOR	AON6452	TRANSISTOR; N-CHANNEL SD MOS POWER TRANSISTOR; DFN8-EP; PD-(2W); I-(26A); V-(100V)

25	R1, R2, R7, R8	-	4	CRCW06031001FK; ERJ-3EKF1001V	VISHAY DALE; PANASONIC	1K	RESISTOR; 0603; 1K; 1%; 100PPM; 0.10
26	R3-R6	-	4	CRCW0603470RFK; ERJ-3EKF4700	VISHAY DALE/PANASONIC	470	RESISTOR, 0603, 470 OHM, 1%, 100PPM THICK FILM
27	R9, R10	-	2	ERJ-3EKF28R0V	PANASONIC	28	RESISTOR; 0603; 28 OHM; 1%; 100PPM FILM
28	R11, R13, R19	-	3	CRCW060310K0FK; 9C06031A1002FK; ERJ-3EKF1002	VISHAY DALE/YAGEO PHICOMP/PANASONIC	10K	RESISTOR; 0603; 10K; 1%; 100PPM; 0.1 FILM
29	R12	-	1	CRCW060315K0FK	VISHAY DALE	15K	RESISTOR, 0603, 15K OHM, 1%, 100PPM THICK FILM
30	R14	-	1	CRCW06032K20FK	VISHAY DALE	2.2K	RESISTOR, 0603, 2.2K OHM, 1%, 100PPM THICK FILM
31	R15	-	1	CRCW060312K0FK	VISHAY DALE	12K	RESISTOR, 0603, 12K OHM, 1%, 100PPM THICK FILM
32	R23	-	1	CRCW06033K00FK	VISHAY DALE	3K	RESISTOR; 0603; 3K OHM; 1%; 100PPM FILM
33	R24	-	1	CRCW06031003FK; ERJ-3EKF1003	VISHAY DALE/PANASONIC	100K	RESISTOR; 0603; 100K; 1%; 100PPM; 0.1 FILM
34	R25-R39	-	15	CRCW06030000ZS; MCR03EZPJ000; ERJ-3GEY0R00	VISHAY DALE/ROHM/PANASONIC	0	RESISTOR; 0603; 0 OHM; 0%; JUMPER FILM
35	SCREW1-SCREW4	-	4	EVKIT_STANDOFF_M2.5_20MM	?	EVKIT_STANDOFF_M2.5_20MM	KIT; ASSY-STANDOFF20MM; 1PC. STANDOFF/FEM/HEX/M2.5/(20MM)/ALU SCREW/SLOT/PAN/M2.5/(6MM)/STEEL;
36	SU1-SU11	-	11	SX1100-B	KYCON	SX1100-B	TEST POINT; JUMPER; STR; TOTAL LEAD LENGTH=1.27MM; BLACK; INSULATION=PBT;PHOSPHOR BRONZE CONTACT=GOLD PLATED
37	SW1	-	1	EG2207	E-SWITCH	EG2207	SWITCH; DPDT; THROUGH HOLE; STR; TOTAL LEAD LENGTH=1.27MM; 0.2A; SWITCH SLIDE DPDT 200MA 30V; 100 OHM; RINSULATION=0 OHM

38	TP1, TP18, TP19, TP29	-	4	5010	KEYSTONE	N/A	TESTPOINT WITH 1.80MM HOLE DIA, R MULTIPURPOSE;
39	TP2, TP9-TP12, TP20, TP30	-	7	5011	KEYSTONE	N/A	TEST POINT; PIN DIA=0.125IN; TOTAL LENGTH=0.445IN; BOARD HOLE=0.063 PHOSPHOR BRONZE WIRE SILVER PL
40	TP3-TP8, TP13-TP17	-	11	5014	KEYSTONE	N/A	TEST POINT; PIN DIA=0.125IN; TOTAL LENGTH=0.445IN; BOARD HOLE=0.063 PHOSPHOR BRONZE WIRE SILVER PL
41	TP21-TP28	-	8	5013	KEYSTONE	N/A	TEST POINT; PIN DIA=0.125IN; TOTAL LENGTH=0.445IN; BOARD HOLE=0.063 PHOSPHOR BRONZE WIRE SILVER PL
42	U1	-	1	MAX14912AKN+	MAXIM	MAX14912AKN+	IC; SWTC; OCTAL HIGH-SPEED; HIGH-SWITCH/PUSH-PULL DRIVER; TQFN56
43	U2	-	1	MAX16910CATA8/V+	MAXIM	MAX16910CATA8/V+	IC; VREG; EXPOSED PAD 0.2A, AUTOM LOW QUIESCENT CURRENT, LINEAR P TDFN8-EP 150MIL
44	U3	-	1	93LC66BT-I/OT	MICROCHIP	93LC66BT-I/OT	IC; EPROM; 4K MICROWIRE SERIAL EE
45	U4	-	1	FT2232HL	FUTURE TECHNOLOGY DEVICES INTL LTD.	FT2232HL	IC; MMRY; DUAL HIGH SPEED USB TO MULTIPURPOSE UART/FIFO; LQFP64
46	Y1	-	1	ABM7-12.000MHZ-D2Y-T	ABRACON	12MHZ	CRYSTAL; SMT ; 18PF; 12MHZ; +/-20PP
47	MICRO_USB_CABLE	DNI	1	AK67421-1-R	ASSMANN	AK67421-1-R	CONNECTOR; MALE; USB; USB2.0 MICRO CONNECTION CABLE; USB B MICRO M MALE; STRAIGHT; 5PINS-4PINS
48	SU12-SU20	DNI	9	SX1100-B	KYCON	SX1100-B	TEST POINT; JUMPER; STR; TOTAL LE BLACK; INSULATION=PBT;PHOSPHOR CONTACT=GOLD PLATED
49	C1	DNP	1	EEV-TG1H102M	PANASONIC	1000UF	CAPACITOR; SMT (CASE_K16); ALUMIN ELECTROLYTIC; 1000UF; 50V; TOL=20% DEGC TO +125 DEGC

50	D3-D10	DNP	8	STPS0560Z	ST MICROEL ECTRONI CS	STPS05 60Z	DIODE; SCH; SCHOTTKY RECTIFIER; S PIV=60V; IF=0.5A
51	R16-R18, R20-R22	DNP	6	CRCW060310K0FK; 9C06031A1002FK; ERJ- 3EKF1002	VISHAY DALE/YAG EO PHICOMP/ PANASONI C	10K	RESISTOR; 0603; 10K; 1%; 100PPM; 0.1 FILM



This document contains information considered proprietary, and shall not be reproduced wholly or in part, nor disclosed to others without specific written permission.

HARDWARE NAME: MAX14912_EVKIT_B

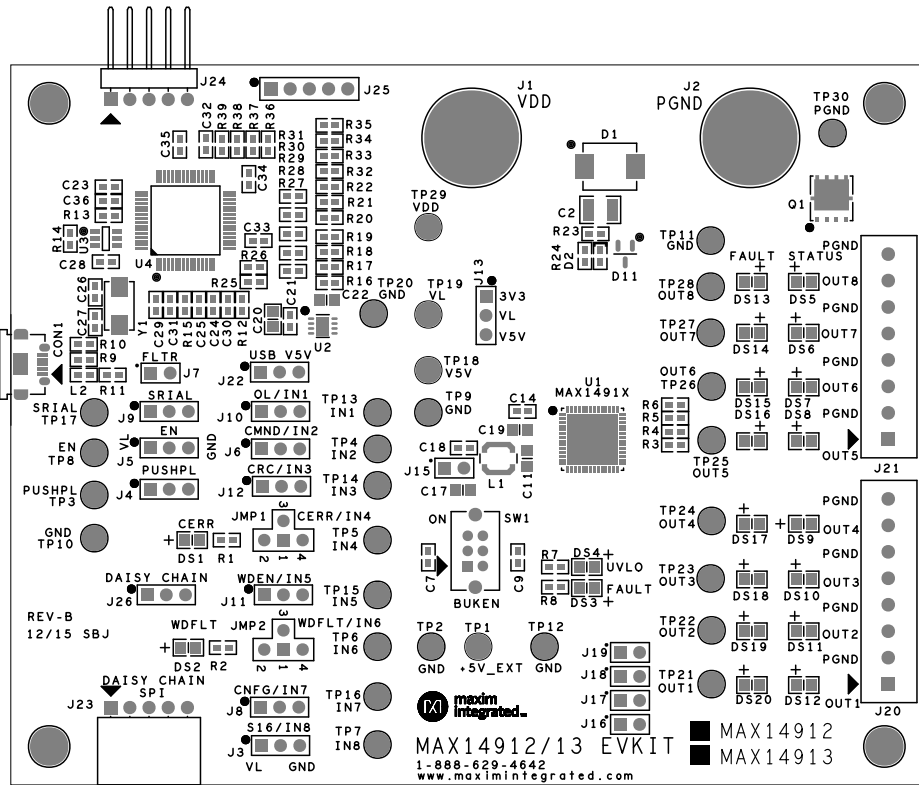
HARDWARE NUMBER:

ENGINEER:

DESIGNER:

DATE: 12/15/2015

ODB++/GERBER: SILK_TOP





This document contains information considered proprietary, and shall not be reproduced wholly or in part, nor disclosed to others without specific written permission.

HARDWARE NAME: MAX14912_EVKIT_B

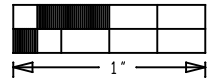
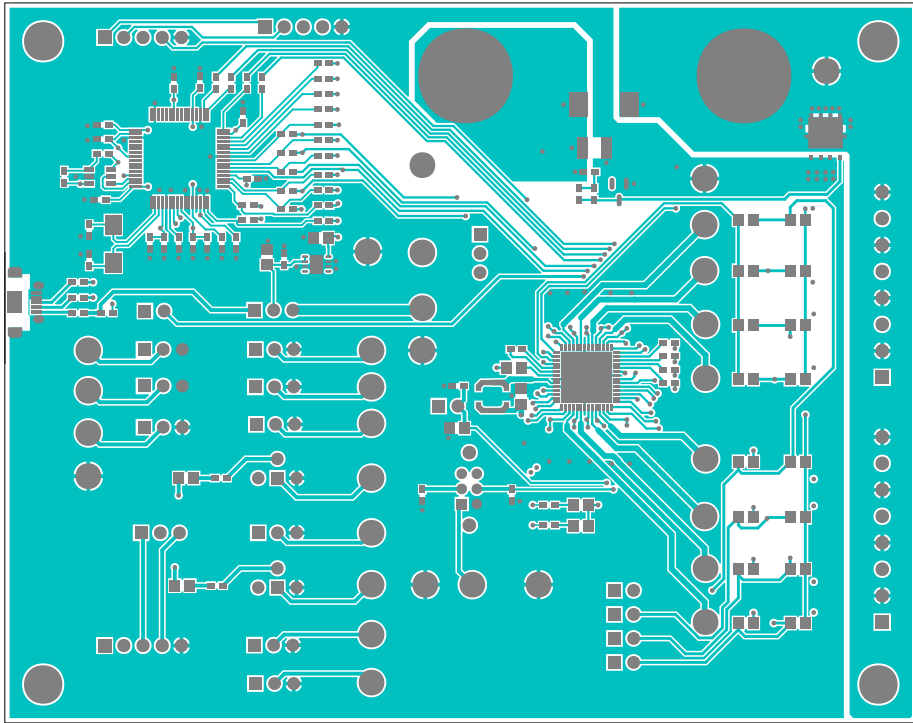
HARDWARE NUMBER:

ENGINEER:

DESIGNER:

DATE: 12/15/2015

ODB++/GERBER: TOP





This document contains information considered proprietary, and shall not be reproduced wholly or in part, nor disclosed to others without specific written permission.

HARDWARE NAME: MAX14912_EVKIT_B

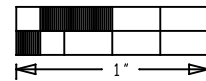
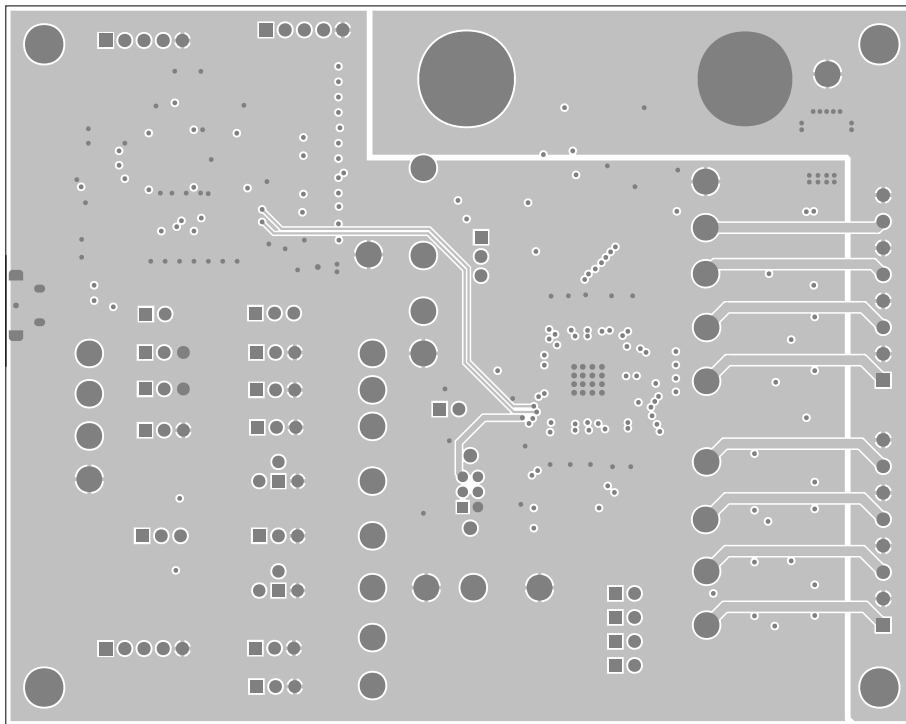
HARDWARE NUMBER:

ENGINEER:

DESIGNER:

DATE: 12/15/2015

ODB++/GERBER: LAYER2





This document contains information considered proprietary, and shall not be reproduced wholly or in part, nor disclosed to others without specific written permission.

HARDWARE NAME: MAX14912_EVKIT_B

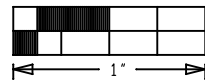
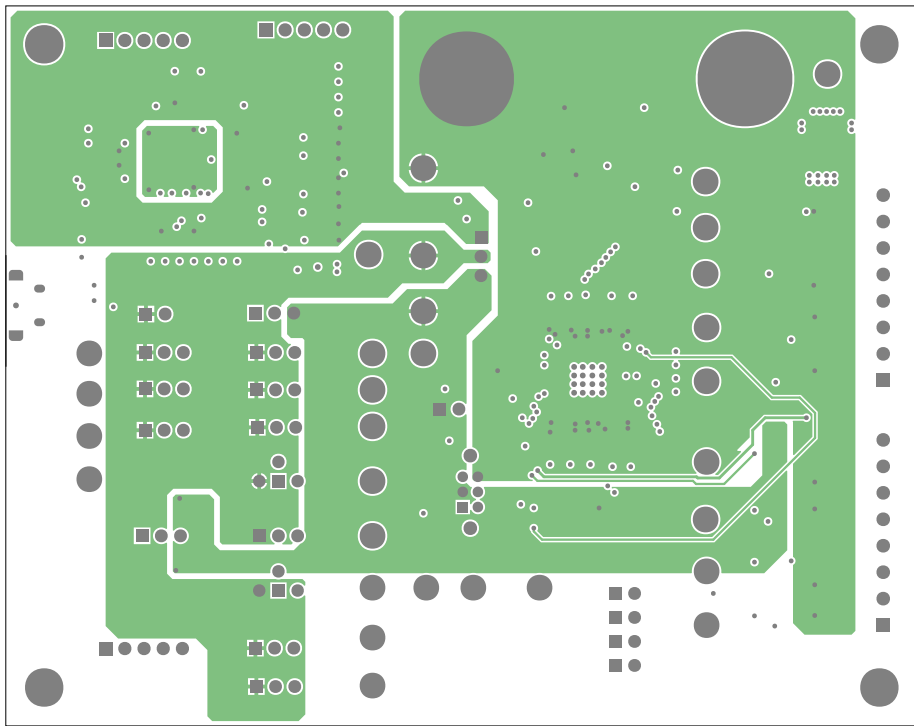
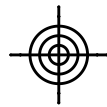
HARDWARE NUMBER:

ENGINEER:

DESIGNER:

DATE: 12/15/2015

ODB++/GERBER: LAYER3





This document contains information considered proprietary, and shall not be reproduced wholly or in part, nor disclosed to others without specific written permission.

HARDWARE NAME: MAX14912_EVKIT_B

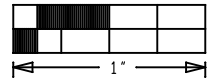
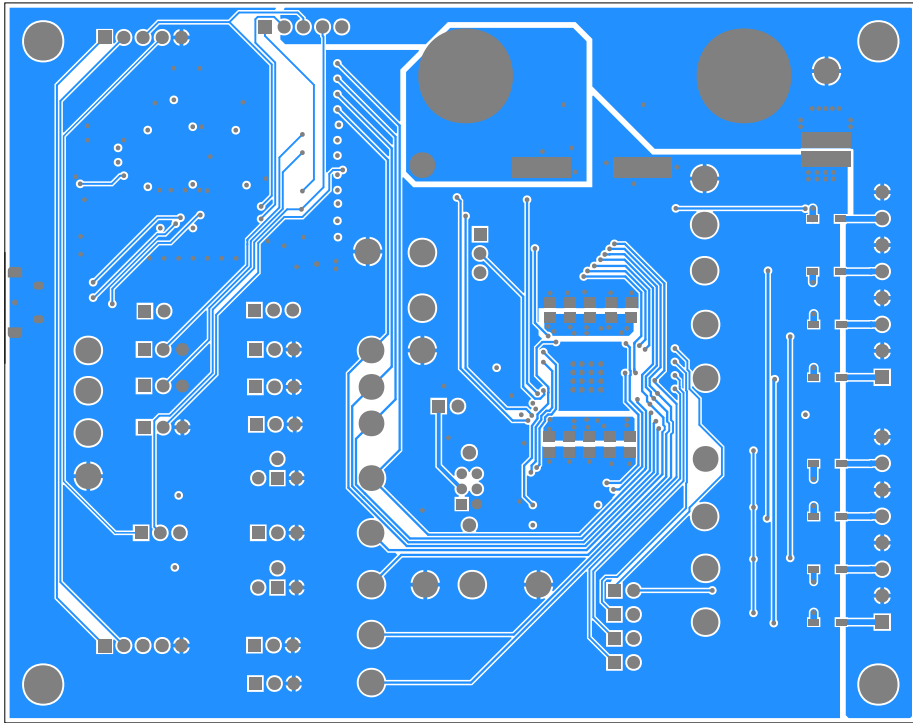
HARDWARE NUMBER:

ENGINEER:

DESIGNER:

DATE: 12/15/2015

ODB++/GERBER: BOTTOM





This document contains information considered proprietary, and shall not be reproduced wholly or in part, nor disclosed to others without specific written permission.

HARDWARE NAME: MAX14912_EVKIT_B

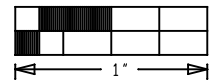
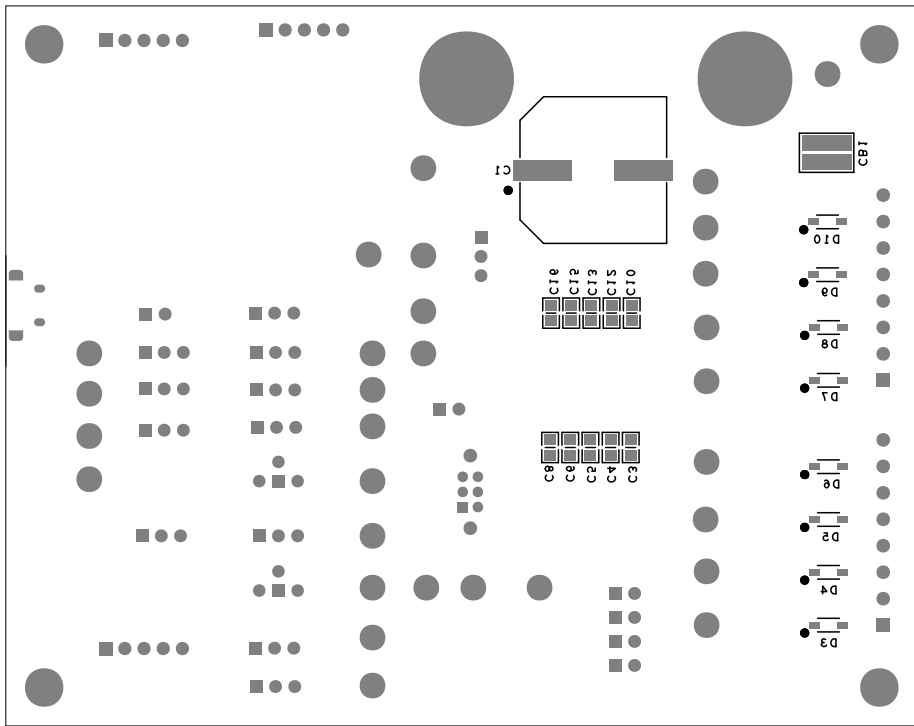
HARDWARE NUMBER:

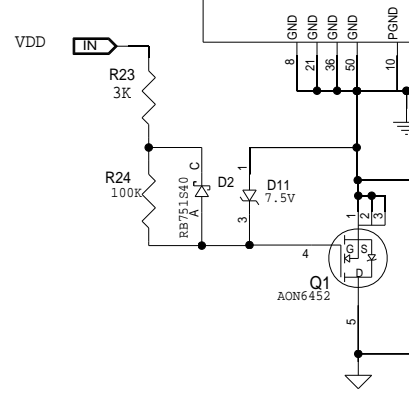
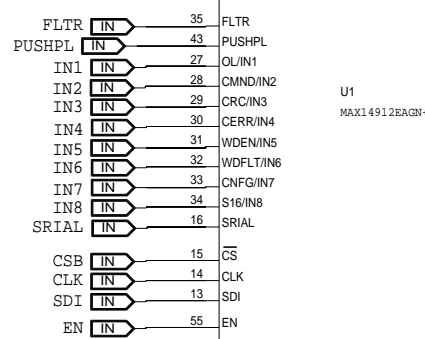
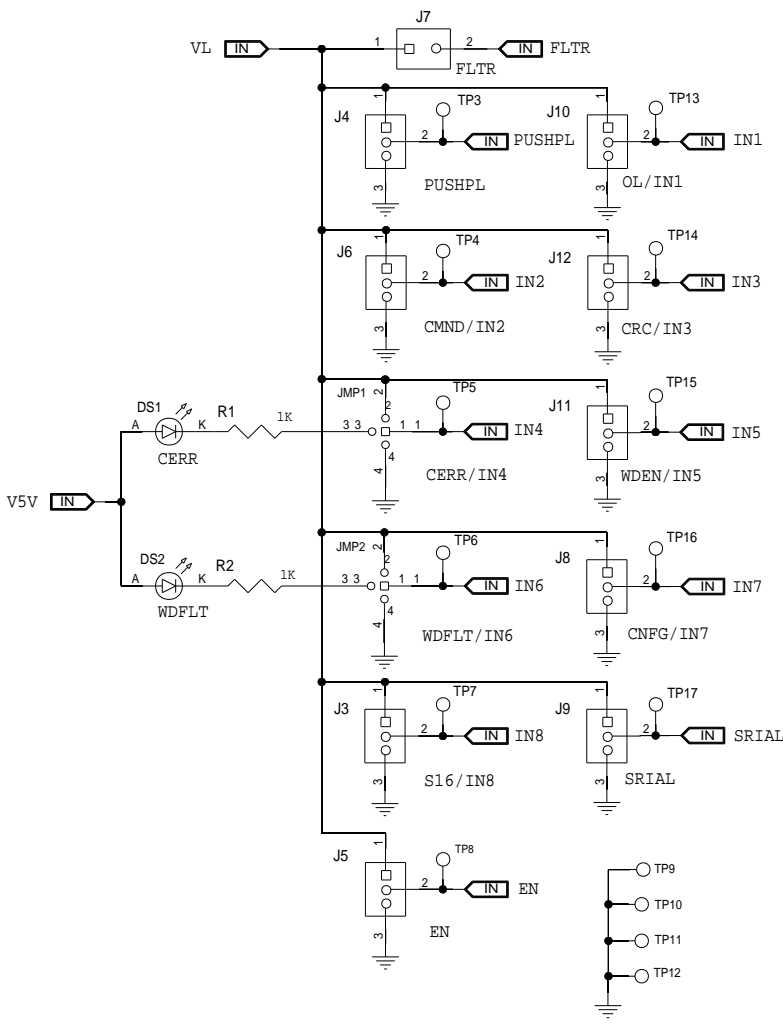
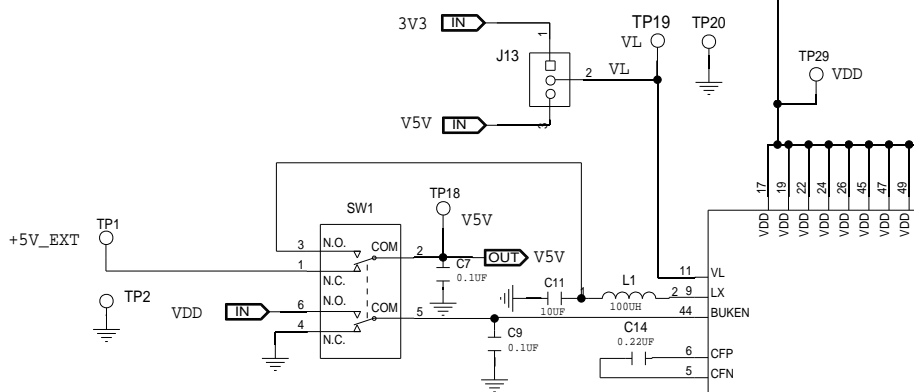
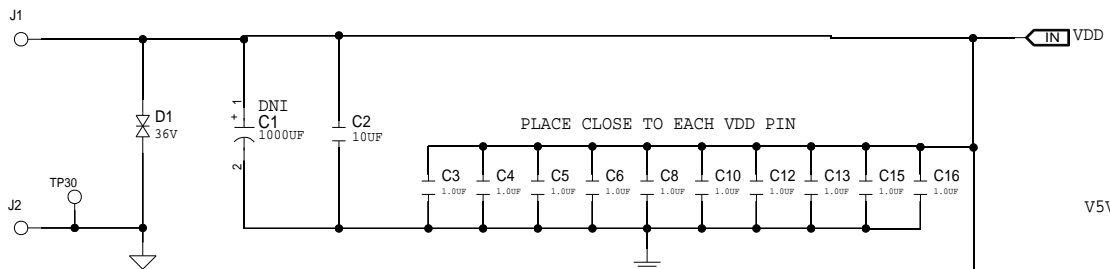
ENGINEER:

DESIGNER:

DATE: 12/15/2015

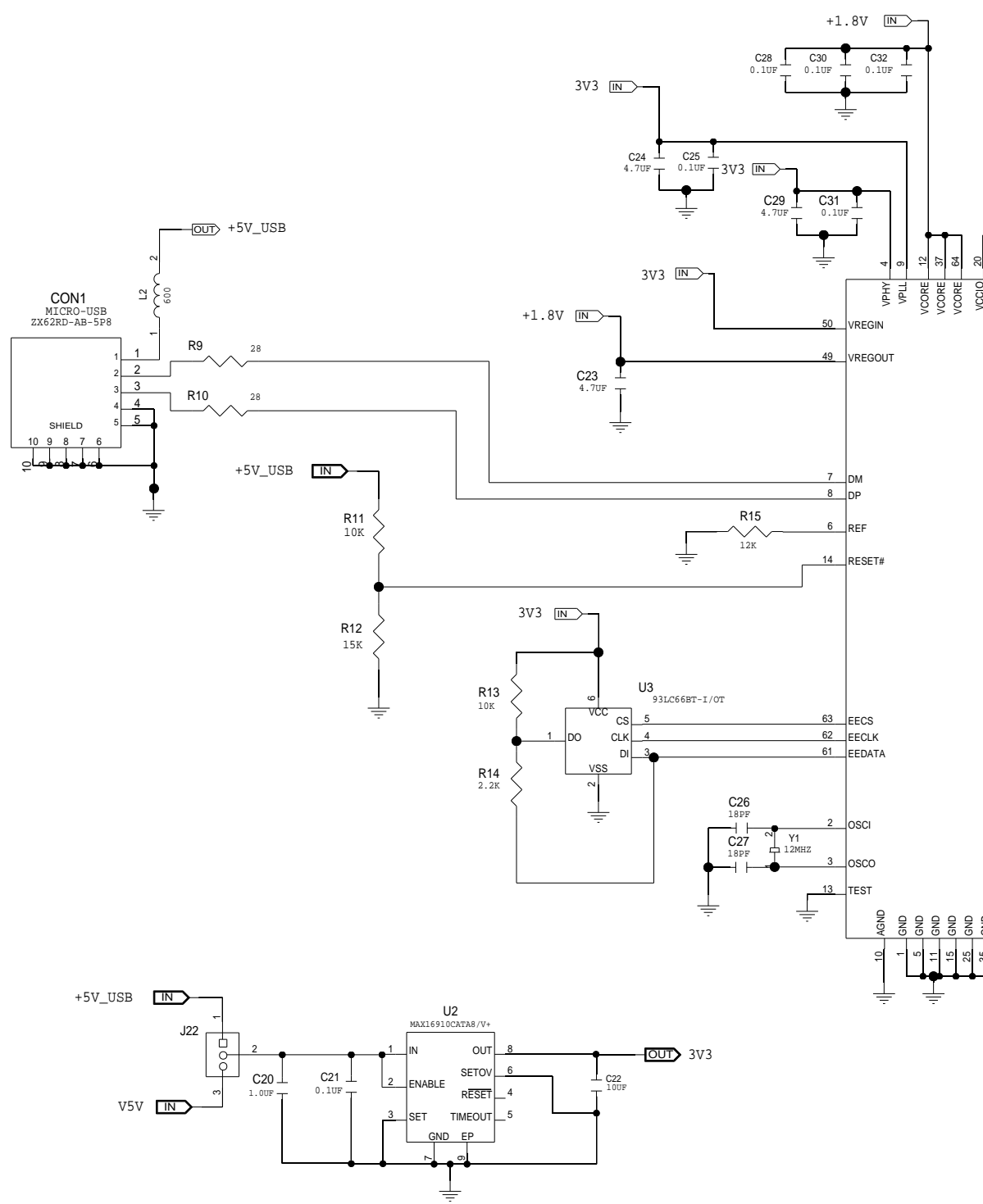
ODB++/GERBER: SILK_BOT





F
E
D
C
B
A

ONE CAPACITOR PER



F
E
D
C
B
A

X-ON Electronics

Largest Supplier of Electrical and Electronic Components

Click to view similar products for [Power Management IC Development Tools](#) category:

Click to view products by [Maxim](#) manufacturer:

Other Similar products are found below :

[EVB-EP5348UI](#) [MIC23451-AAAYFL EV](#) [MIC5281YMME EV](#) [124352-HMC860LP3E](#) [DA9063-EVAL](#) [ADP122-3.3-EVALZ](#) [ADP130-0.8-EVALZ](#) [ADP130-1.8-EVALZ](#) [ADP1740-1.5-EVALZ](#) [ADP1870-0.3-EVALZ](#) [ADP1874-0.3-EVALZ](#) [ADP199CB-EVALZ](#) [ADP2102-1.25-EVALZ](#) [ADP2102-1.875EVALZ](#) [ADP2102-1.8-EVALZ](#) [ADP2102-2-EVALZ](#) [ADP2102-3-EVALZ](#) [ADP2102-4-EVALZ](#) [AS3606-DB](#) [BQ25010EVM](#) [BQ3055EVM](#) [ISLUSBI2CKIT1Z](#) [LP38512TS-1.8EV](#) [EVAL-ADM1186-1MBZ](#) [EVAL-ADM1186-2MBZ](#) [ADP122UJZ-REDYKIT](#) [ADP166Z-REDYKIT](#) [ADP170-1.8-EVALZ](#) [ADP171-EVALZ](#) [ADP1853-EVALZ](#) [ADP1873-0.3-EVALZ](#) [ADP198CP-EVALZ](#) [ADP2102-1.0-EVALZ](#) [ADP2102-1-EVALZ](#) [ADP2107-1.8-EVALZ](#) [ADP5020CP-EVALZ](#) [CC-ACC-DBMX-51](#) [ATPL230A-EK](#) [MIC23250-S4YMT EV](#) [MIC26603YJL EV](#) [MIC33050-SYHL EV](#) [TPS60100EVM-131](#) [TPS65010EVM-230](#) [TPS71933-28EVM-213](#) [TPS72728YFFEVM-407](#) [TPS79318YEQEVM](#) [UCC28810EVM-002](#) [XILINXPWR-083](#) [LMR22007YMINI-EVM](#) [LP38501ATJ-EV](#)