



# MAX16802B Evaluation Kit

**Evaluates: MAX16802B**

## General Description

The MAX16802B evaluation kit (EV kit) demonstrates a current-controlled, high-output-current LED driver based on the MAX16802B. This EV kit is capable of supplying stable output currents of up to 750mA, can run at supply voltages between 10.8V and 30V, and can operate at temperatures ranging from -40°C to +85°C.

The MAX16802B EV kit features two different types of dimming controls using either a linear input voltage or a PWM input signal to control the LED brightness. This EV kit also has a UVLO feature to turn off the EV kit operation during low input supply voltage and an overvoltage protection to protect the EV kit under an open-LED condition. The MAX16802B EV kit is a fully assembled and tested board.

**Warning:** Under severe fault or failure conditions, this EV kit may dissipate large amounts of power, which could result in the mechanical ejection of a component or of component debris at high velocity. Operate this EV kit with care to avoid possible personal injury.

## Features

- ◆ 10.8V to 30V Wide Supply Voltage Range
- ◆ Current-Controlled Output
- ◆ Up to 750mA LED Current at 12V Output
- ◆ Linear and PWM Dimming Control
- ◆ Over 80% Efficiency at Full Load
- ◆ Supply Undervoltage Lockout
- ◆ Output Overvoltage Protection

## Ordering Information

PART	TEMP RANGE	IC PACKAGE
MAX16802BEVKIT	-40°C to +85°C	8 $\mu$ MAX <sup>®</sup>

$\mu$ MAX is a registered trademark of Maxim Integrated Products, Inc.

## Component List

DESIGNATION	QTY	DESCRIPTION
C1, C2, C5, C6	4	4.7 $\mu$ F, 50V X7R ceramic capacitors Murata GRM32ER71H475KA88L
C3, C4, C7	3	0.1 $\mu$ F, 50V X7R SMD ceramic capacitors Murata GRM188R71H104KA93D or TDK C1608X7R1H104K
C8	1	470pF, 50V X7R ceramic capacitor Murata GRM188R71H471KA01D or TDK C1608X7R1H471K
C9	1	1nF, 50V X7R ceramic capacitor Murata GRM188R71H102KA01D or TDK C1608X7R1H102K
D1	1	22V, 1.5W zener diode Vishay SMZG3797B
D2	1	60V, 1A Schottky diode Central Semiconductor CMSH1-60M or Diodes Inc. B160
D3	1	20V, small-signal Schottky diode Vishay SD103CWS or Diodes Inc. SD103CWS
J1, J2	2	0.1in, 2-pin hole headers (through hole)

DESIGNATION	QTY	DESCRIPTION
L1	1	4.7 $\mu$ H, 4.2A peak SMD inductor Coilcraft DO3308P-472ML
Q1	1	60V, 3.2A n-channel MOSFET Vishay Si3458DV
R1	1	392k $\Omega$ $\pm$ 1%, 1/8W resistor (0603)
R2	1	11k $\Omega$ $\pm$ 1%, 1/8W resistor (0603)
R3	1	499k $\Omega$ $\pm$ 1%, 1/8W resistor (0603)
R4	1	73.2k $\Omega$ $\pm$ 1%, 1/8W resistor (0603)
R5, R7	2	1k $\Omega$ $\pm$ 1%, 1/8W resistors (0603)
R6	1	330 $\Omega$ $\pm$ 1%, 1/4W resistor (1206)
R8	1	220 $\Omega$ $\pm$ 1%, 1/8W resistor (0603)
R9	1	0.10 $\Omega$ $\pm$ 1%, 1/2W resistor (1206) Susumu RL1632R-R100-F
R10	1	1 $\Omega$ $\pm$ 5%, 1/8W resistor (0603)
U1	1	MAX16802B (8-pin $\mu$ MAX)
VIN, VLED, PWM_IN, LIN_IN	4	0.1in, 2-pin male connectors (through hole)
—	1	MAX16802B PC board

# MAX16802B Evaluation Kit

## Quick Start

The MAX16802B EV kit is fully assembled and tested. Follow these steps to verify operation. **Do not turn on the power supply until all connections are completed.**

- 1) Connect a DC power supply (0 to 30V or above, 1A) to +VIN and GND.
- 2) Connect a voltmeter or oscilloscope and the LED array (connected in series to drop about 12V at 750mA forward current) to +VLED and -VLED with anode connected to +VLED and cathode to -VLED.
- 3) Close the jumpers J1 and J2 to disable dimming.
- 4) Turn on the power supply and increase the input voltage to above 10.8V. The output voltage increases to forward bias the LED array and delivers approximately 750mA regulated average LED current. Increase the supply further up to 30V and the output average current will be regulated throughout the range.
- 5) Open shunt J1 and apply a PWM signal to PWM\_IN with a frequency of 200Hz and 0 to 2V amplitude. Vary the duty cycle from 0 to 100% and the LED brightness varies from 100% to 0%. When the PWM duty cycle is 0%, the LED brightness is 100%.
- 6) Close J1, and then open J2. Connect a variable voltage source to LIN\_IN and vary the voltage between 0 and 1.6V. The LED brightness varies from 100% to 0%. When the voltage input at LIN\_IN is 0V, the LED brightness is 100%.

**Caution: Avoid powering up the EV kit without connecting load.**

## Detailed Description

The MAX16802B evaluation kit is a current-controlled, high-output-current LED driver capable of supplying constant currents up to 750mA, irrespective of supply voltage variations.

This EV kit is based on a discontinuous current mode (DCM) buck-boost converter operating at 262kHz to deliver a finite amount of energy to the output every cycle. The amount of this energy depends primarily on the value of the inductor and the user-programmable peak inductor current and does not depend on the supply voltage. Due to this configuration, the power output of the EV kit, and thus the output current supplied to the LED at a given LED operating voltage, becomes independent of the supply voltage.

This EV kit is designed to drive LED loads capable of taking up to 750mA of maximum current at a 12V operating voltage. If an LED load with lower operating voltage is used, then the maximum output current will increase by the same ratio to maintain the output power constant. To drive an LED array with a different operating voltage, the value of the current-sense resistor needs to be adjusted. Calculation of the current-sense resistor for a different output operating voltage is explained in later sections.

### Input Supply UVLO

Input supply UVLO is implemented by using a resistor network that combines R3 and R4, which senses the input supply voltage and uses the EN pin to turn on the circuit when the input supply voltage goes above 10.8V. The wake-up threshold of EN is 1.23V when the voltage at EN is rising, and it has a hysteresis of 50mV. Once the device is turned on, due to the hysteresis, the device turns off only if the input supply voltage goes below 10.4V.

The UVLO threshold can be adjusted by varying R1 or R2 using the equation below:

$$R3 = \left( \frac{V_{UVLO}}{1.23} - 1 \right) \times R4$$

where  $V_{UVLO}$  is the desired UVLO threshold. To maintain threshold accuracy, keep the value of R4 less than 100k $\Omega$ .

## Component Suppliers

SUPPLIER	PHONE	FAX	WEBSITE
Central Semiconductor	631-435-1110	631-435-3388	www.centralsemi.com
Coilcraft	847-639-6400	847-639-1469	www.coilcraft.com
Diodes Inc.	805-446-4800	805-446-4850	www.diodes.com
Murata	770-436-1300	770-436-3030	www.murata.com
Susumu Co Ltd.	208-328-0307	208-328-0308	www.susumu-usa.com
TDK	847-390-4373	847-390-4428	www.component.tdk.com
Vishay	402-563-6866	402-563-6296	www.vishay.com

**Note:** Indicate you are using the MAX16802B when contacting these manufacturers.

# MAX16802B Evaluation Kit

Evaluates: MAX16802B

## Output Overvoltage Protection

The maximum voltage at the positive pin of VLED with respect to GND is limited to 45V by a feedback network formed by R1 and R2, which is connected to the FB pin of the MAX16802B. If the EV kit is turned on with no load or if the LED connection opens, the voltage at the positive pin of VLED may rise to unsafe levels. This condition is sensed by the internal error amplifier, which reduces the peak inductor current to limit the voltage at the positive pin of VLED to 45V. Even if this protection is present, it is recommended to connect the specified load before powering up the EV kit.

## PWM Dimming

The PWM dimming is for controlling the LED brightness by adjusting the duty cycle of the PWM input signal connected to the PWM\_IN input. A HIGH at PWM\_IN input turns off the LED current and LOW turns on the LED current. Connect a signal with peak amplitude between 1.5V to 5.0V and with frequency between 100Hz to 1000Hz and vary the duty cycle to adjust the LED brightness. Frequencies lower than 100Hz can introduce flickering in the light output. LED brightness reduces when duty cycle is increased and vice-versa. When the PWM duty cycle is 0%, the LED brightness will be 100%.

## Linear Dimming

The linear dimming is for controlling the LED brightness by varying the amplitude of the voltage connected to the LIN\_IN input. The voltage at the LIN\_IN input modulates the current-sense signal and makes the MOSFET trip at a different current level. This process, in turn, changes the output current and thus controls the LED brightness. Since the LED is continuously on at all brightness levels, flickering effect is not present with linear dimming. Vary the LIN\_IN voltage between 0 and 1.6V to adjust LED brightness from 100% to 0%. LED brightness reduces when the voltage at LIN\_IN is increased and vice-versa. When the voltage at LIN\_IN is 0V the LED brightness is 100%.

## Adjusting the Output Power

To change the maximum output power of the EV kit from 12V at 750mA to a different level, adjust the value of the current-sense resistor, R9, using the following equations. Note that the maximum output current of the EV kit is limited to 750mA, the maximum output voltage is limited to 15V, and the maximum output power is limited to 8.25W.

Initially calculate the approximate optimum ON duty cycle required at the minimum input voltage:

$$D_{ON} = \frac{V_{LED} + V_D}{V_{INMIN} + V_{LED} + V_D}$$

where  $V_{INMIN}$  is the minimum input supply voltage,  $V_{LED}$  is the LED operating voltage,  $I_{LED}$  is the desired LED current and  $V_D$  is the forward voltage of D2.

Calculate the approximate required peak inductor current:

$$I_P = \frac{k_f \times 2 \times I_{LED}}{1 - D_{ON}}$$

where  $k_f$  is a noncritical “fudge factor” set equal to 1.1 for this circuit.

Calculate the approximate required inductor value and choose the closest standard value smaller than the calculated value:

$$L = \frac{D_{ON} \times V_{INMIN}}{f_{SW} \times I_P}$$

where L is the inductance value of inductor L1, and  $f_{SW}$  is the switching frequency equal to 262kHz.

Power transferred to the output circuit by the flyback process is:

$$P_N = \frac{1}{2} \times L \times I_P^2 \times f_{SW}$$

Power consumed by the output circuit is:

$$P_{OUT} = V_{LED} \times I_{LED} + V_D \times I_{LED}$$

Conservation of power requires that the above two equations can be equated and solved for a more precise value of the required peak inductor current.

$$I_P = \sqrt{\left( \frac{2 \times (V_{LED} + V_D) \times I_{LED}}{f_{SW} \times L} \right)}$$

Set the value of the current-sense resistor, R9, based on the  $I_{PEAK}$  value using the following equation:

$$R9 = \frac{0.292 \times (R8 + R7)}{I_{PEAK} \times R7}$$

where 0.292V is the current-sense trip threshold voltage. R7 and R8 form a voltage-divider, which scales down the voltage across the current-sense resistor before reaching the current-sense pin of the device.

## Jumper Selection

Keep jumper J1 closed when PWM dimming is not used. Keep jumper J2 closed when linear dimming is not used.

# MAX16802B Evaluation Kit

Evaluates: MAX16802B

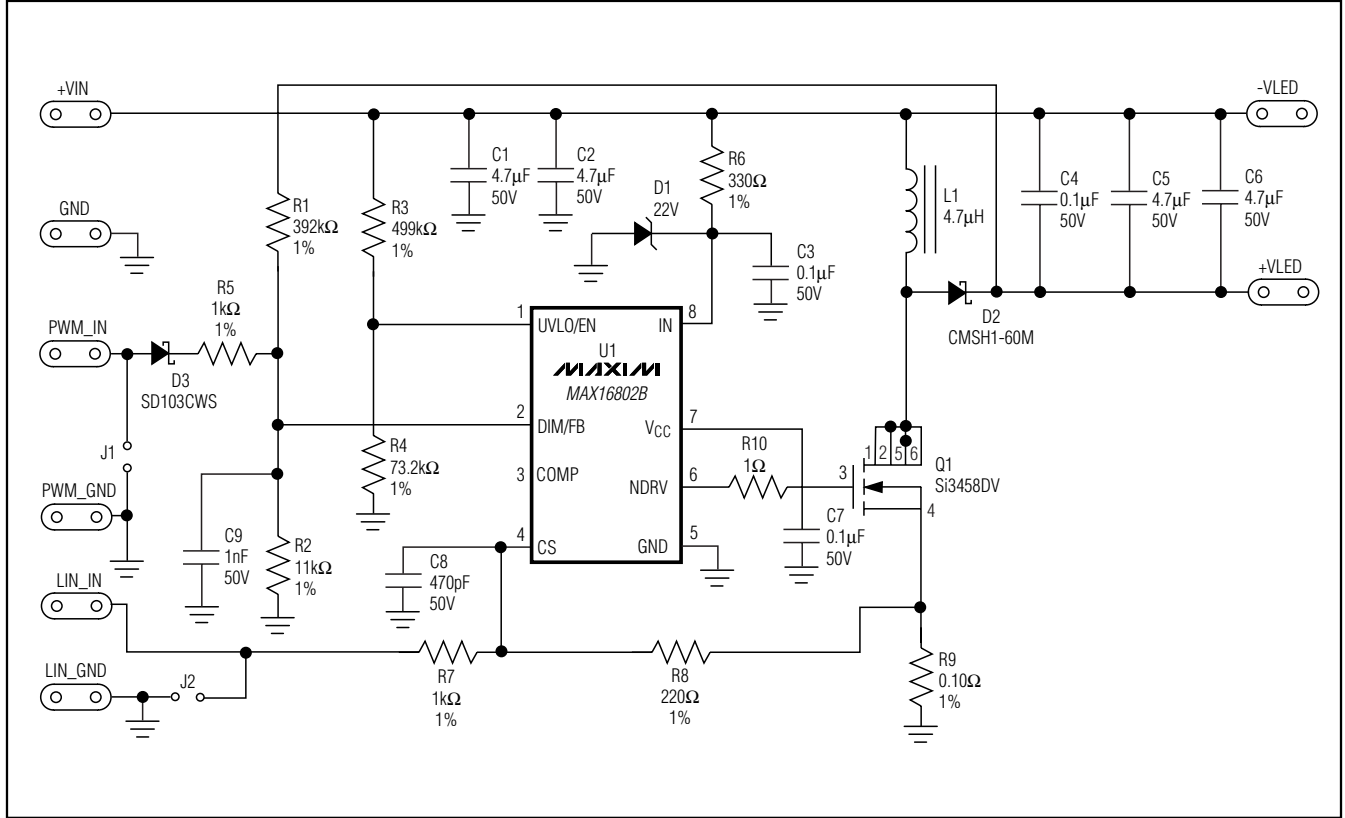


Figure 1. MAX16802B EV Kit Schematic

# MAX16802B Evaluation Kit

Evaluates: MAX16802B

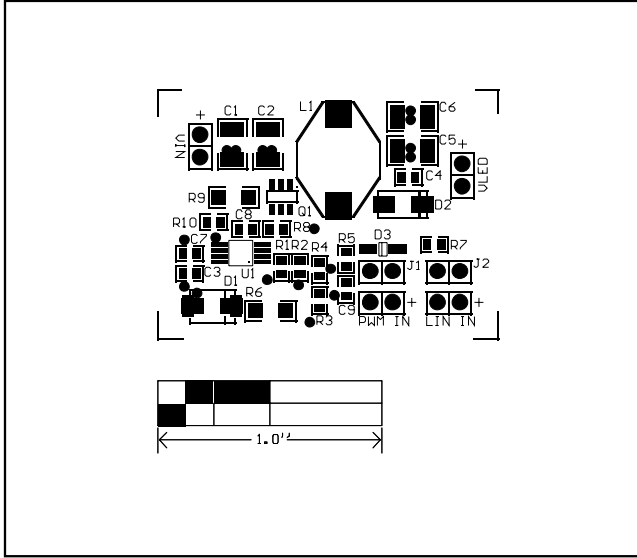


Figure 2. MAX16802B EV Kit Component Placement Guide—Component Side

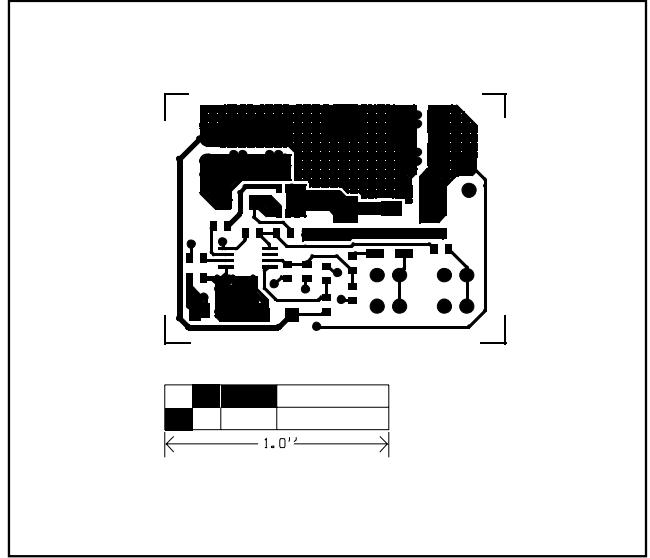


Figure 3. MAX16802B EV Kit PC Board Layout—Component Side

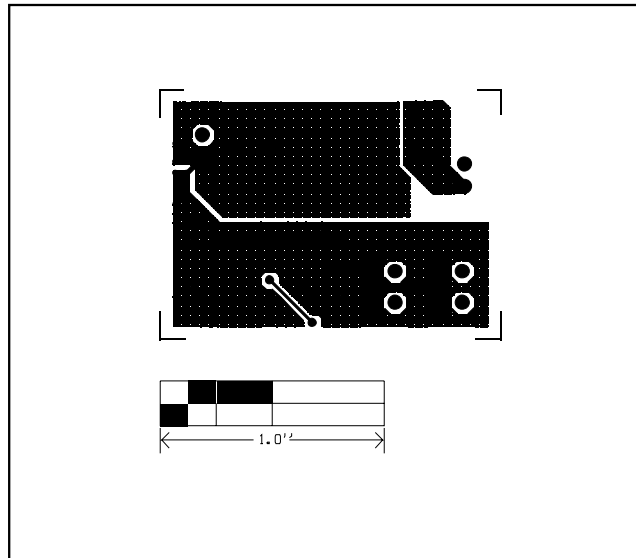


Figure 4. MAX16802B EV Kit PC Board Layout—Solder Side

Maxim cannot assume responsibility for use of any circuitry other than circuitry entirely embodied in a Maxim product. No circuit patent licenses are implied. Maxim reserves the right to change the circuitry and specifications without notice at any time.

Maxim Integrated Products, 120 San Gabriel Drive, Sunnyvale, CA 94086 408-737-7600 \_\_\_\_\_ 5

## X-ON Electronics

Largest Supplier of Electrical and Electronic Components

*Click to view similar products for [LED Lighting Development Tools](#) category:*

*Click to view products by [Maxim](#) manufacturer:*

Other Similar products are found below :

[MIC2870YFT EV](#) [ADP8860DBCP-EVALZ](#) [LM3404MREVAL](#) [ADM8843EB-EVALZ](#) [TDGL014](#) [ISL97682IRTZEVALZ](#) [LM3508TLEV](#)  
[EA6358NH](#) [MAX16826EVKIT](#) [MAX16839EVKIT+](#) [TPS92315EVM-516](#) [MAX6956EVKIT+](#) [OM13321,598](#) [DC986A](#) [DC909A](#) [DC824A](#)  
[STEVAL-LLL006V1](#) [IS31LT3948-GRLS4-EB](#) [104PW03F](#) [PIM526](#) [PIM527](#) [MAX6946EVKIT+](#) [MAX20070EVKIT#](#) [MAX21610EVKIT#](#)  
[MAX6951EVKIT](#) [MAX20090BEVKIT#](#) [MAX20092EVSYS#](#) [PIM498](#) [AP8800EV1](#) [ZXLD1370/1EV4](#) [MAX6964EVKIT](#) [TLC59116EVM-](#)  
[390](#) [1216.1013](#) [TPS61176EVM-566](#) [TPS61197EVM](#) [TPS92001EVM-628](#) [1270](#) [1271.2004](#) [1272.1030](#) [1273.1010](#) [1278.1010](#) [1279.1002](#)  
[1279.1001](#) [1282.1000](#) [1293.1900](#) [1293.1800](#) [1293.1700](#) [1293.1500](#) [1293.1100](#) [1282.1400](#)