

Click [here](#) for production status of specific part numbers.

MAX20079

Automotive 36V 3.5A Buck Converter with 3.5 μ A I_q

General Description

The MAX20079 is a small, automotive grade synchronous buck converter with integrated high-side and low-side switches. The device is designed to deliver up to 3.5A with input voltages from +3V to +36V while using only 3.5 μ A quiescent current at no load. The MAX20079 provides an accurate output voltage of $\pm 2\%$ within the normal operation input range of +6V to +18V. With 65ns minimum on-time capability, the converter is capable of large input-to-output conversion ratios. Voltage quality can be monitored by observing the PGOOD signal. MAX20079 can operate in drop-out by running at 99% duty cycle, making it ideal for automotive and industrial applications. The IC offers standard parts with fixed output voltages of 3.3V and 5V. In addition, MAX20079 can be configured for output voltages from 3V to 12V, using an external resistor divider. Frequency is internally fixed at 2.1MHz, which allows for small external components, reduces output ripple, and guarantees there is no AM interference. A 400kHz option is also offered to provide minimum switching losses and maximum efficiency. MAX20079 automatically enters skip mode at light loads with ultra-low quiescent current of 3.5 μ A at no load. It offers pin-enabled spread-spectrum frequency modulation designed to minimize EMI-radiated emissions due to the modulation frequency.

The MAX20079 comes in a small 4mm x 4mm 20-pin SW-TQFN package and uses very few external components. The intelligent package layout results in an extremely low-noise solution with superior EMI performance.

Applications

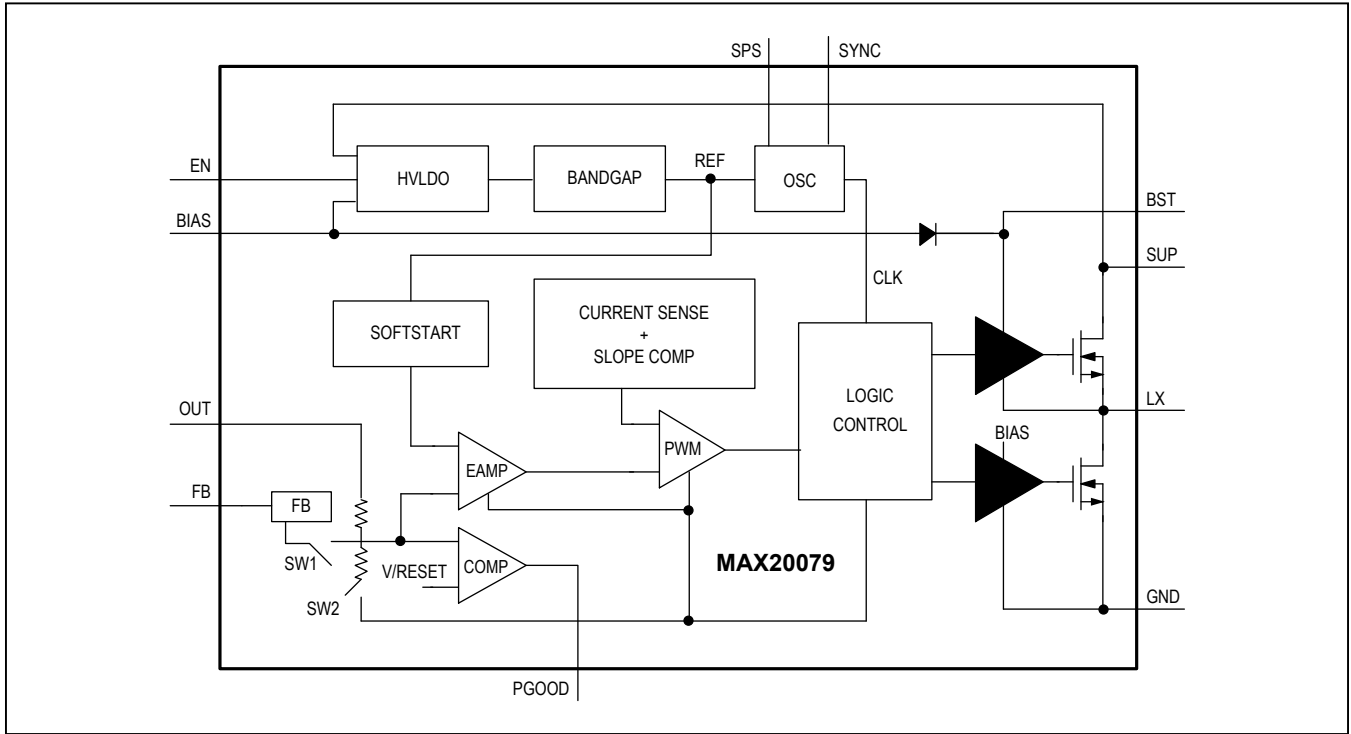
- Automotive
- Industrial
- High Voltage DC-DC Converters

Benefits and Features

- Synchronous DC-DC Converter with Integrated FETs
 - 3.5A Output-Current Capability
 - 3.5 μ A Quiescent Current in Standby Mode
- Small Solution Size Saves Space
 - 65ns Minimum On-Time
 - 2.1MHz or 400kHz Fixed Operating Frequency Options
 - Programmable 3V to 12V Output Voltage or Fixed 5V/3.3V Options Available
 - Fixed 3.5ms Internal Soft-Start
 - Innovative Current-Mode-Control Architecture Minimizes Total Board Space and BOM Count
- PGOOD Output and High-Voltage EN Input Simplify Power Sequencing
- Protection Features and Operating Range Ideal for Automotive Applications
 - 3V to 36V Operating V_{IN} Range
 - 40V Load-Dump Protection
 - 99% Duty-Cycle Operation with Low Dropout
 - -40°C to +125°C Automotive Temperature Range
 - AEC-Q100 Qualified

[Ordering Information](#) appears at end of data sheet.

Simplified Block Diagram



Absolute Maximum Ratings

SUP	-0.3V to +40V	OUT Short-Circuit Duration	Continuous
EN.....	-0.3V to +40V	ESD Protection	
BST to LX.....	+6V	Human Body Model	±2kV
BST.....	-0.3V to +45V	Continuous Power Dissipation (T _A = +70°C)	
FB	-0.3V to V _{BIAS} + 0.3V	20-L SW TQFN	
SYNC.....	-0.3V to V _{BIAS} + 0.3V	(Derate 30.3 mW/°C above +70°C).....	2424.20mW
SPS	-0.3V to V _{BIAS} + 0.3V	Operating Ambient Temperature Range	-40°C to +125°C
OUT	-0.3V to 13V	Operating Junction Temperature (Note 2).....	-40°C to +150°C
PGOOD	-0.3V to 6V	Storage Temperature Range	-65°C to +150°C
PGND to AGND.....	-0.3V to 0.3V	Lead Temperature (Soldering 10s)	+300°C
BIAS	-0.3V to +6.0V	Soldering Temperature (Reflow).....	+260°C

Note 1: LX has internal clamp diodes to PGND/AGND and SUP. Applications that forward bias these diodes should take care not to exceed the IC's package power dissipation limits.

Note 2: The device is designed for continuous operation up to T_J = +125°C for 95,000 hours and T_J = +150°C for 5,000 hours.

Stresses beyond those listed under "Absolute Maximum Ratings" may cause permanent damage to the device. These are stress ratings only, and functional operation of the device at these or any other conditions beyond those indicated in the operational sections of the specifications is not implied. Exposure to absolute maximum rating conditions for extended periods may affect device reliability.

Recommended Operating Conditions

PARAMETER	SYMBOL	CONDITION	TYPICAL	UNIT
Ambient Temperature Range			-40 to 125	°C

Package Information

20-Lead Side-Wettable TQFN Package

Package Code	T2044Y+5C
Outline Number	21-100318
Land Pattern Number	90-0409
Thermal Resistance, Single-Layer Board:	
Junction to Ambient (θ _{JA})	48
Junction to Case (θ _{JC})	2
Thermal Resistance, Four-Layer Board:	
Junction to Ambient (θ _{JA})	33
Junction to Case (θ _{JC})	2

For the latest package outline information and land patterns (footprints), go to www.maximintegrated.com/packages. Note that a "+", "#", or "-" in the package code indicates RoHS status only. Package drawings may show a different suffix character, but the drawing pertains to the package regardless of RoHS status.

Package thermal resistances were obtained using the method described in JEDEC specification JESD51-7, using a four-layer board. For detailed information on package thermal considerations, refer to www.maximintegrated.com/thermal-tutorial.

Electrical Characteristics

(V_{SUP} = V_{EN} = 14V, V_{SYNC} = 0V, T_J = -40°C to +150°C unless otherwise noted, V_{OUT} = 5V, (Notes 3 and 4))

PARAMETER	SYMBOL	CONDITIONS	MIN	TYP	MAX	UNITS	
Supply Voltage Range	V _{SUP}		3.5		36	V	
		After start-up	3.0		36		
	V _{SUP_MAX}	t < 1s			40		
Supply Current	I _{SUP_OFF}	V _{EN} = Low		1	5	µA	
	I _{SUP,3.3V}	Fixed V _{OUT} (internal) = 3.3V, f _{SW} = 2.1MHz/400kHz, no load, no switching		3.5	8	µA	
	I _{SUP_SW,3.3V}	Fixed V _{OUT} (internal) = 3.3V, f _{SW} = 2.1MHz/400kHz, no load, switching (Note 5)		4.5			
	I _{SUP,5V}	Fixed V _{OUT} (internal) = 5V, f _{SW} = 2.1MHz/400kHz, no load, no switching		6	10	µA	
	I _{SUP_SW,5V}	Fixed V _{OUT} (internal) = 5V, f _{SW} = 2.1MHz/400kHz, no load, switching (Note 5)		7.5		µA	
LX Leakage	I _{LX,leak}	V _{SUP} = 36V, LX = 0V or 40V, T _A = +25°C	-1		1	µA	
UV Lockout	UVLO	V _{BIAS} rising	2.525	2.725	2.925	V	
	UVLO _{HYS}	Hysteresis		0.13			
BIAS Voltage	V _{BIAS}	+5.5V ≤ V _{SUP} ≤ +36V		5		V	
BUCK CONVERTER							
Voltage Accuracy	V _{OUT,5V}	Fixed V _{OUT} (internal) = 5V, f _{SW} = 2.1MHz/400kHz	Skip mode (Note 4)	4.92	5	5.06	V
			PWM mode	4.93	5	5.07	
	V _{OUT,3.3V}	Fixed V _{OUT} (internal) = 3.3V, f _{SW} = 2.1MHz/400kHz	Skip mode (Note 4)	3.23	3.3	3.37	
			PWM mode	3.25	3.3	3.35	
	V _{OUT,3.395V}	Fixed V _{OUT} (internal) = 3.395V, f _{SW} = 2.1MHz	Skip mode (Note 4)	3.325	3.395	3.465	
			PWM mode	3.345	3.395	3.445	
Output Voltage Range with External Resistor-Divider	V _{OUT}		3		12	V	
FB Voltage Accuracy	V _{FB}		0.985	1	1.015	V	
FB Current	I _{FB}	V _{FB} = 1V, T _A = +25°C		0.02		µA	
FB Line Regulation	LR _{FB}	V _{SUP} = 6V to 36V		0.02		%/V	
High-Side Switch ON Resistance	R _{ON,HS}	V _{BIAS} = 5V, I _{LX} = 1A		70	125	mΩ	
Low-Side Switch ON Resistance	R _{ON,LS}	V _{BIAS} = 5V, I _{LX} = 1A		70	125	mΩ	
High-Side Current-Limit Threshold	ILIMPEAK		4.1	4.7	5.3	A	

Electrical Characteristics (continued)

(V_{SUP} = V_{EN} = 14V, V_{SYNC} = 0V, T_J = -40°C to +150°C unless otherwise noted, V_{OUT} = 5V, (Notes 3 and 4))

PARAMETER	SYMBOL	CONDITIONS	MIN	TYP	MAX	UNITS
Low-Side Negative Current-Limit Threshold	I _{NEG}			-1.2		A
Soft-Start Ramp Time (Note 5)	I _{SS,2M}	f _{SW} = 2.1MHz		3.5	5	ms
	I _{SS,400K}	f _{SW} = 400KHz		5.5	7.5	
Minimum ON Time	T _{ON_MIN}			65	80	ns
Maximum Duty Cycle	DC _{MAX}		98	99		%
PWM Switching Frequency	f _{SW,2M}	f _{SW} = 2.1MHz option	1.925	2.1	2.275	MHz
	f _{SW,400K}	f _{SW} = 400kHz option	360	400	440	kHz
Spread-Spectrum Range	SS	V _{SPS} = 5V		±3%		%
PGOOD						
PGOOD Threshold	V _{THR,PGD}	V _{OUT} rising	91	93	95	%
	V _{THF,PGD}	V _{OUT} falling	90	92	94	
PGOOD Debounce	T _{DEB_PWM,2M}	PWM mode, f _{SW} = 2.1MHz option (Note 4)		60		μs
	T _{DEB_SKIP,2M}	Skip mode, f _{SW} = 2.1MHz option (Note 4)		90		μs
	T _{DEB_PWM,400K}	PWM mode, f _{SW} = 400kHz option (Note 4)		80		μs
	T _{DEB_SKIP,400K}	Skip mode, f _{SW} = 400kHz option (Note 4)		110		μs
PGOOD High Leakage Current	I _{LEAK,PGD}	T _A = +25°C			1	μA
PGOOD Low Level	V _{OUT,PGD}	Sinking 1mA			0.4	V
LOGIC LEVELS						
EN Level	V _{IH,EN}		2.4			V
	V _{IL,EN}				0.6	
EN Input Current	I _{IN,EN}	V _{EN} = V _{SUP} = 36V, T _A = +25°C			1	μA
External Input Clock Frequency	FSYNC _{2M,PEAK}	f _{SW} = 2.1MHz option	1.7		2.6	MHz
	FSYNC _{400K}	f _{SW} = 400kHz option	325		500	kHz
SYNC Threshold	V _{IH,SYNC}		1.4			V
	V _{IL,SYNC}				0.4	
SYNC Internal Pulldown	R _{PD,SYNC}			1000		kΩ
SPS Threshold	V _{IH,SPS}		1.4			V
	V _{IL,SPS}				0.4	
SPS Internal Pulldown	R _{PD,SPS}			1000		kΩ
THERMAL PROTECTION						
Thermal Shutdown	T _{SHDN}	(Note 4)		175		°C
Thermal Shutdown Hysteresis	T _{SHDN.HYS}	(Note 4)		15		°C

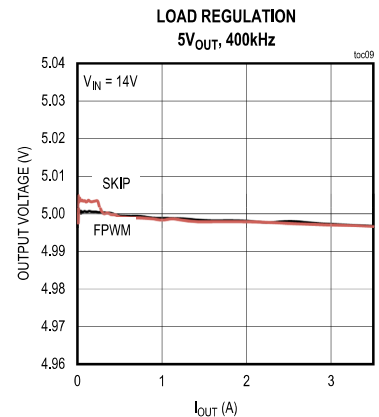
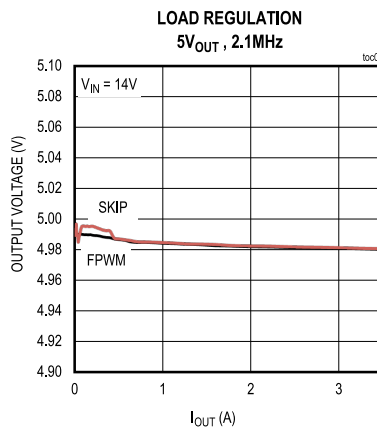
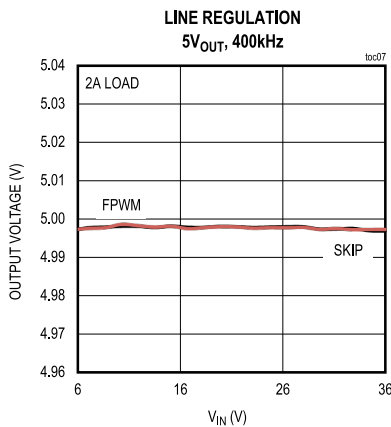
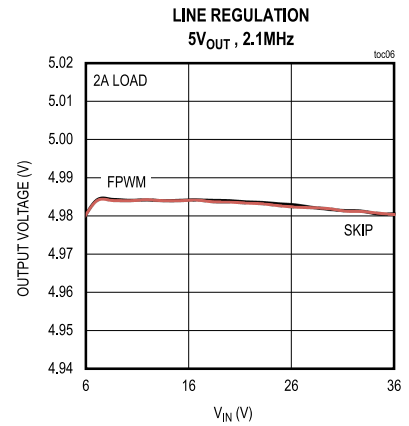
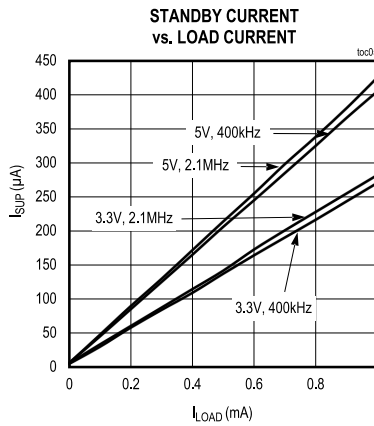
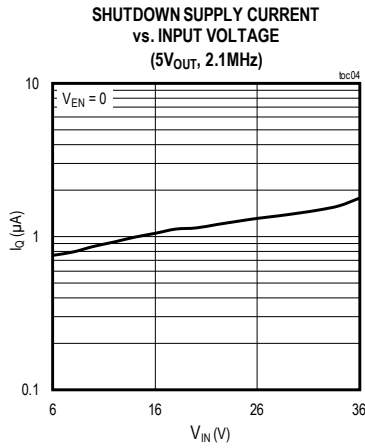
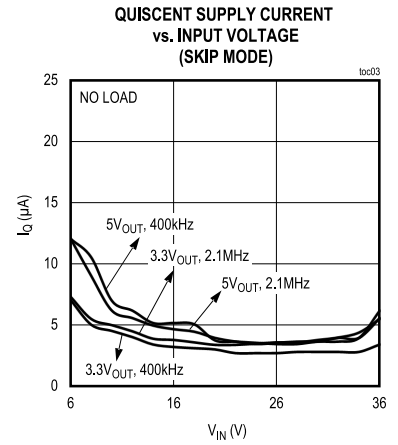
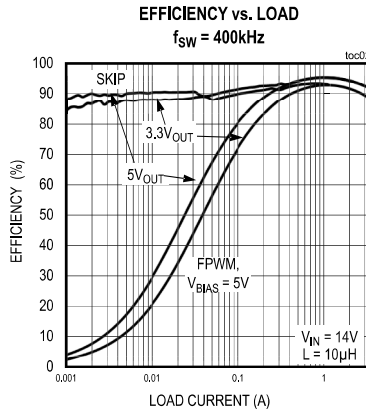
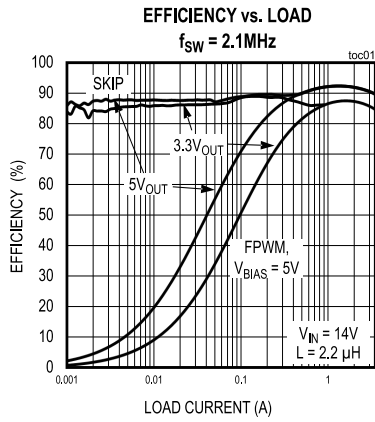
Note 3: Limits are 100% tested at T_A = +25°C. Limits over the operating temperature range and relevant supply voltage are guaranteed by design and characterization. Typical values are at T_A = +25°C.

Note 4: Guaranteed by design; not production tested.

Note 5: Soft-start time is measured as the time taken from EN going high to PGOOD going high.

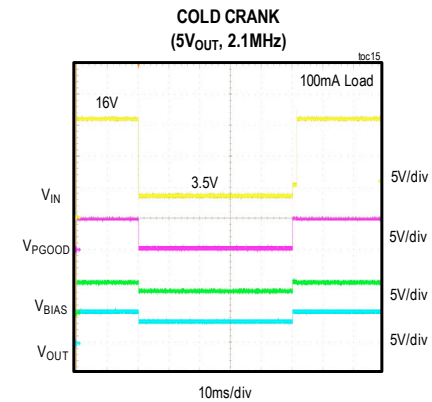
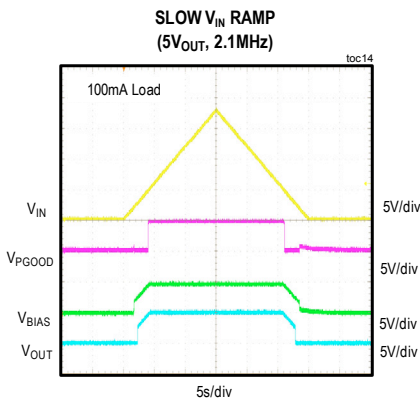
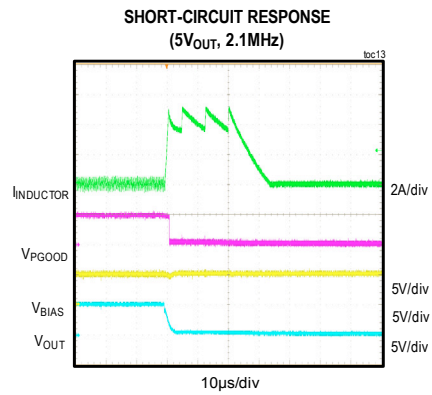
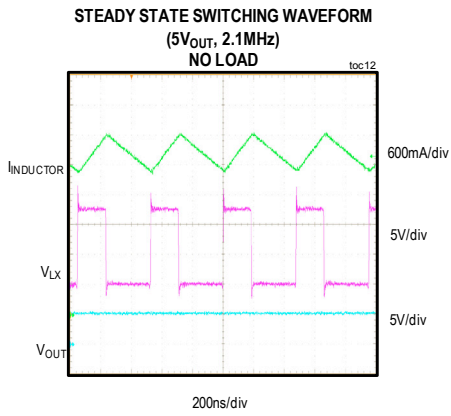
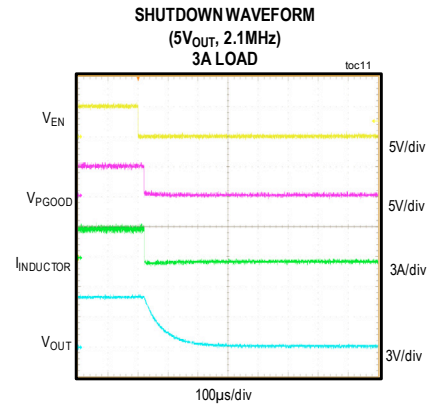
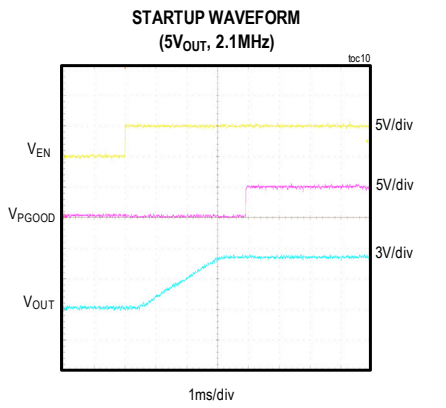
Typical Operating Characteristics

((V_{SUP} = V_{EN} = +14V, T_A = +25°C, unless otherwise noted.))



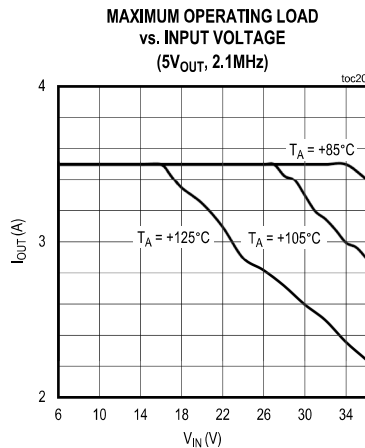
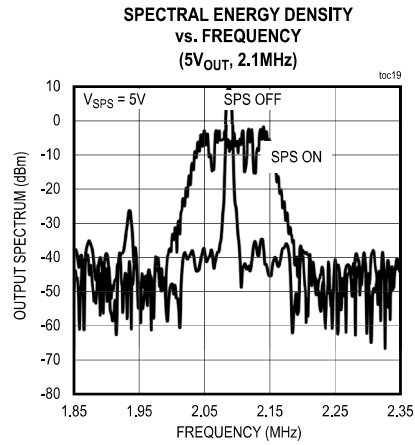
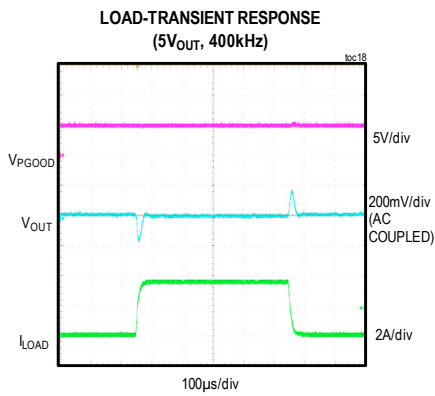
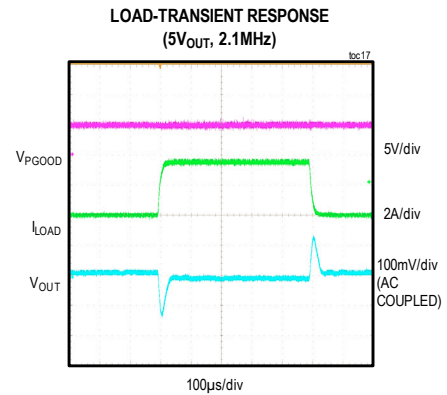
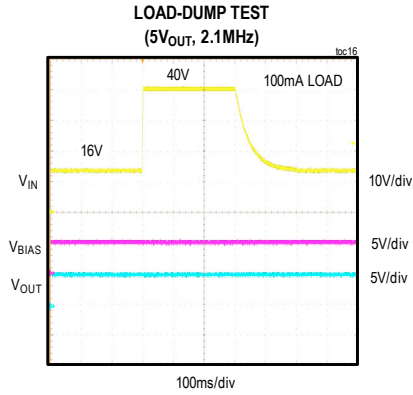
Typical Operating Characteristics (continued)

((V_{SUP} = V_{EN} = +14V, T_A = +25°C, unless otherwise noted.))

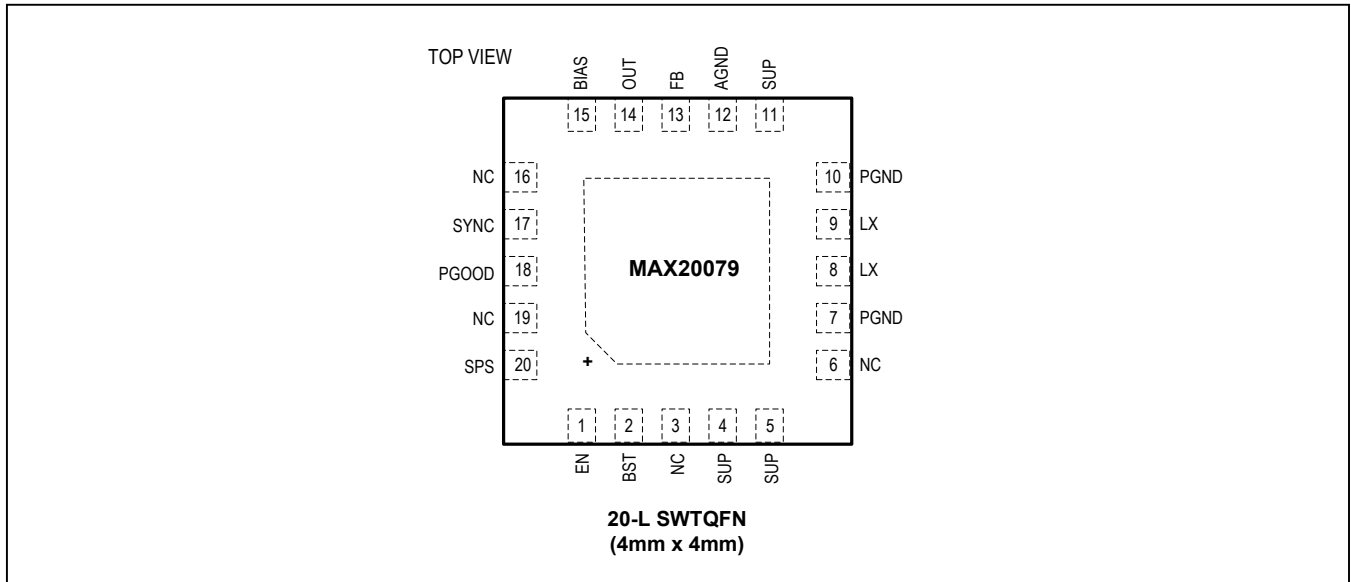


Typical Operating Characteristics (continued)

((V_{SUP} = V_{EN} = +14V, T_A = +25°C, unless otherwise noted.))



Pin Configuration



Pin Description

PIN	NAME	FUNCTION
1	EN	High-Voltage-Compatible Enable Input. If this pin is low, the part is off.
2	BST	Bootstrap pin for HS driver. It is recommended to use 0.1µF from BST to LX.
4, 5, 11	SUP	Supply Input. Connect a 4.7µF ceramic capacitor from SUP to ground.
8, 9	LX	Buck Switching Node. Connect inductor between LX and OUT. See the Inductor Selection section. If the part is off, this node is high impedance.
13	FB	Feedback pin. Connect a resistor-divider from the buck output to FB to ground for external adjustment of the output voltage. Connect FB to BIAS for internal fixed voltages.
15	BIAS	5V Internal BIAS supply. Connect a 1µF (minimum) ceramic capacitor to ground.
17	SYNC	Sync Input. If connected to ground or left floating, skip-mode operation is enabled under light loads. If connected to BIAS, forced PWM mode is enabled. This pin has a 1MΩ internal pulldown.
18	PGOOD	Open-Drain Reset Output. External pullup required.
3, 6, 16, 19	NC	No Connect
20	SPS	Spread-Spectrum Enable. Connect logic-high to enable spread spectrum of internal oscillator, or logic-low to disable spread spectrum. This pin has a 1MΩ internal pulldown.
7, 10	PGND	Power Ground.
12	AGND	Analog Ground.
14	OUT	Buck Regulator Output-Voltage-Sense Input. Bypass OUT to PGND with ceramic capacitors.

Detailed Description

The MAX20079 family of small, current-mode-controlled buck converters features synchronous rectification and requires no external compensation network. MAX20079 is designed for 3.5A output current and can stay in dropout by running at 99% duty cycle. Each device provides an accurate output voltage of $\pm 2\%$ within the 6V to 18V input range. Voltage quality can be monitored by observing the PGOOD signal. The devices operate at 2.1MHz (typ) frequency, which allows for small external components, reduces output ripple, and guarantees there is no AM-band interference. The devices are also available at 400kHz (typ) for minimum switching losses and maximum efficiency.

Each device features an ultra-low 3.5 μ A (typ) quiescent supply current in standby mode. The device enters standby mode automatically at light loads if the high-side FET (HSFET) does not turn on for eight consecutive clock cycles. The devices operate from a 3.5V to 36V supply voltage and can tolerate transients up to 40V, making them ideal for automotive applications. The devices are available in factory-trimmed output voltages (3.3V and 5V) and are programmable with an external resistor-divider. For fixed-output voltages outside of 3.3V and 5V, contact factory for availability.

The symmetrical design of the 4mm x 4mm 20-pin side-wettable TQFN package enables a design with extremely low noise, high efficiency, and superior EMI performance.

Enable Input (EN)

Each device is activated by driving EN high. EN is compatible from a 3.3V logic level to automotive battery levels. EN can be controlled by microcontrollers and automotive KEY or CAN inhibit signals. The EN input has no internal pullup/pulldown current, minimizing the overall quiescent supply current. To realize a programmable undervoltage-lockout level, use a resistor-divider from SUP to EN to AGND.

Bias/UVLO

Each device features undervoltage lockout. When the device is enabled, an internal bias generator turns on. LX begins switching after V_{BIAS} has exceeded the internal undervoltage-lockout level, $V_{UVLO} = 2.73V$ (typ).

Soft-Start

Each device features an internal soft-start timer. The output voltage soft-start time is 3.5ms (typ), which includes the delay in PGOOD. If a short circuit or undervoltage is encountered after the soft-start timer has expired, the device is disabled for 7ms (typ) and then reattempts soft-start. This pattern repeats until the short circuit has been removed.

Oscillator/Synchronization and Efficiency (SYNC)

Each device has an on-chip oscillator that provides a 2.1MHz (typ) or 400kHz (typ) switching frequency. There are two modes of operation, depending on the condition of SYNC. If SYNC is unconnected or at AGND, the device operates in highly efficient pulse-skipping mode. If SYNC is connected to BIAS or has a clock applied to it, the device is in forced-PWM mode (FPWM). The device can be switched during operation between FPWM mode and skip mode by switching SYNC.

Skip-Mode Operation

Skip mode is entered when the SYNC pin is connected to ground or is unconnected and the peak load current is less than 600mA (typ). In this mode, the HSFET is turned on until the inductor current ramps up to 600mA (typ) peak value and the internal feedback voltage is above the regulation voltage (1.0V, typ). At this point, both the HSFETs and low-side FETs (LSFETs) are turned off. Depending on the choice of the output capacitor and the load current, the HSFET turns on when OUT (valley) drops below the 1.0V (typ) feedback voltage.

When the device is in skip mode, the internal high-voltage LDO is turned off to save current. V_{BIAS} is supplied by the output after the soft-start is completed.

Achieving High Efficiency at Light Loads

Each device operates with very low-quiescent current at light loads to enhance efficiency and conserve battery life. When the device enters skip mode, the output current is monitored to adjust the quiescent current. The lowest quiescent-current standby mode is only available for factory-trimmed devices between 3.0V and 5.5V output voltages. When the output current is less than approximately 5mA, the device operates in the lowest quiescent-current mode, also called standby mode. In this mode, the majority of the internal circuitry in the device (excluding what is necessary to maintain regulation) is turned off to save current. Under no load and with skip mode enabled, the device typically draws 6 μ A for the 3.3V parts, and 6 μ A for the 5.0V parts. For load currents greater than 5mA, the device enters normal skip mode and still maintains very high efficiency.

Output-Voltage Overshoot Protection

In dropout, the output voltage closely follows the input voltage, but is below the regulation point. The device runs at maximum duty cycle to satisfy the loop, and the internal error-amplifier output is railed high. When the input voltage rises above the output, the device exits dropout, but

the internal error-amplifier output takes some time to get back to steady state. This causes an overshoot in the output voltage. To limit this overshoot, the device clamps the output of the error amplifier while exiting dropout, causing it to discharge faster and limiting the output-voltage overshoot. The actual value of the overshoot depends on the output capacitor, inductor, and load.

Controlled EMI with Forced-Fixed Frequency

In FPWM mode, the device attempts to operate at a constant switching frequency for all load currents. For tightest frequency control, apply the operating frequency to SYNC. The advantage of FPWM is a constant switching frequency, which improves EMI performance; the disadvantage is that considerable current can be discarded. If the load current during a switching cycle is less than the current flowing through the inductor, the excess current is diverted to AGND.

Extended Input Voltage Range

In some cases, the device is forced to deviate from its operating frequency, independent of the state of SYNC. For input voltages above 18V (for MAX20079BATP/VY+), the required duty cycle to regulate its output may be smaller than the minimum on-time (65ns, typ). In this event, the device is forced to lower its switching frequency by skipping pulses.

If the input voltage is reduced and the device approaches dropout, it continuously tries to turn on the HSFET. To maintain gate charge on the HSFET, the BST capacitor must be periodically recharged. To ensure proper charge on the BST capacitor when in dropout, the HSFET is turned off every 20μs and the LSFET is turned on for approximately 200ns. This gives an effective duty cycle of greater than 99%, and a switching frequency of 50kHz when in dropout.

Spread-Spectrum Option

Each device has an optional spread spectrum enabled by the SPS pin. If SPS is pulled high, the internal operating frequency varies by ±3% relative to the internally generated operating frequency. Spread spectrum is offered to improve EMI performance of the device.

The internal spread spectrum does not interfere with the external clock applied on the SYNC pin. It is active only when the device is running with an internally generated switching frequency.

Power-Good (PGOOD)

Each device features an open-drain power-good output. PGOOD is an active-high output that pulls low when the

output voltage is below 92% (typ) of its nominal value. PGOOD is high impedance when the output voltage is above 93% (typ) of its nominal value. Connect a 10kΩ (typ) pullup resistor to an external supply, or to the on-chip BIAS output.

Overcurrent Protection

Each device limits the peak output current to 4.7A (typ). The accuracy of the current limit is ±12%, making selection of external components very easy. To protect against short-circuit events, the device shuts off when OUT is below 50% of V_{OUT} and an overcurrent event is detected. The device attempts a soft-start restart every 7ms and remains off if the short circuit has not been removed. When the current limit is no longer present, it reaches the output voltage by following the normal soft-start sequence. If the device's die reaches the thermal limit of 175°C (typ) during the current-limit event, it immediately shuts off.

Thermal-Overload Protection

Each device features thermal-overload protection. The device turns off when the junction temperature exceeds +175°C (typ). Once the device cools by 15°C (typ), it turns back on with a soft-start sequence.

Applications Information

Setting the Output Voltage

Connect FB to BIAS for a fixed +5V/3.3V output voltage. To set the output to other voltages between 3V and 12V, connect a resistive divider from output (OUT) to FB to AGND (see [Figure 1](#)). Select R_{FB2} (FB to AGND resistor) ≤ 500kΩ. Calculate R_{FB1} (OUT to FB resistor) with the following equation:

Equation 1:

$$R_{FB1} = R_{FB2} \left[\left[\frac{V_{OUT}}{V_{FB}} \right] - 1 \right]$$

where $V_{FB} = 1V$ (see the [Electrical Characteristics](#) table).

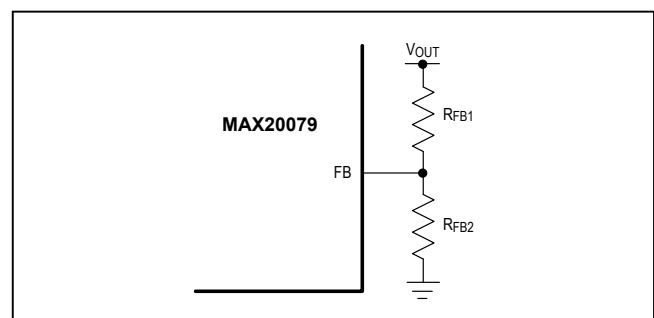


Figure 1. Adjustable Output-Voltage Setting

Input Capacitor

The discontinuous input current of the buck converter causes large input-ripple current. Switching frequency, peak inductor current, and the allowable peak-to-peak input-voltage ripple dictate the input-capacitance requirement. Increasing the switching frequency or the inductor value lowers the peak-to-average current ratio, yielding a lower input-capacitance requirement.

MAX20079 incorporates a symmetrical pinout that can be leveraged for better EMI performance. Connect two high-frequency 0603 or smaller capacitors on two SUP pins on either side of the package for good EMI performance. Connect a high-quality, 4.7μF low-ESR ceramic capacitor—or equivalent value in capacitance—on the SUP pin for low-input voltage ripple.

The input ripple is primarily composed of ΔV_Q (caused by the capacitor discharge) and ΔV_{ESR} (caused by the ESR of the input capacitor). The total voltage ripple is the sum of ΔV_Q and ΔV_{ESR} . Assume that input-voltage ripple from the ESR and the capacitor discharge is equal to 50% each. The following equations show the ESR and capacitor requirement for a target voltage ripple at the input:

Equations 2:

$$ESR = \frac{\Delta V_{ESR}}{I_{OUT} + (\Delta I_{P-P} / 2)}$$

$$C_{IN} = \frac{I_{OUT} \times D(1-D)}{\Delta V_Q \times f_{SW}}$$

where:

$$\Delta I_{P-P} = \frac{(V_{IN} - V_{OUT}) \times V_{OUT}}{V_{IN} \times f_{SW} \times L}$$

and:

$$D = \frac{V_{OUT}}{V_{IN}}$$

where I_{OUT} is the output current, D is the duty cycle, and f_{SW} is the switching frequency. Use additional input capacitance at lower input voltages to avoid possible undershoot below the UVLO threshold during transient loading.

Inductor Selection

Inductor design is a compromise between the size, efficiency, control-loop bandwidth, and stability of the converter. Insufficient inductance value would increase the inductor current ripple, causing higher conduction losses and higher output voltage ripple. Since the slope compensation is fixed internally for MAX20079, it might also cause current-mode-control instability to appear.

A large inductor reduces the ripple, but increases the size and cost of the solution and slows the response. [Table 1](#) provides optimized inductor values for respective switching frequency. The nominal standard value selected should be within $\pm 50\%$ of the specified inductance.

Output Capacitor

Output capacitance is selected to satisfy the output load-transient requirements. During a load step, the output current changes almost instantaneously, whereas the inductor is slow to react. During this transition time, the load-charge requirements are supplied by the output capacitor, which causes an undershoot/overshoot in the output voltage. For a buck converter that is controlled by peak-current, as employed in MAX20079, output capacitance also affects the control-loop stability.

Based on internal-compensation design of MAX20079, for optimal phase margin ($> 60^\circ$, typ), the recommended output capacitances are shown in [Table 2](#). Recommended values are the actual capacitances, after accounting for voltage derating. If a lower or higher output capacitance is required for the application, contact the factory for an optimized solution.

The allowable output-voltage ripple and the maximum deviation of the output voltage during step-load currents determine the output capacitance and its ESR. The output ripple comprises ΔV_Q (caused by the capacitor discharge) and ΔV_{ESR} (caused by the ESR of the output capacitor). Use low-ESR ceramic or aluminum electrolytic capacitors at the output. For aluminum electrolytic capacitors, the entire output ripple is contributed by ΔV_{ESR} . Use Equation 2 to calculate the ESR requirement and choose the capacitor accordingly. If using ceramic capacitors, assume the contribution to the output-ripple voltage from the ESR and the capacitor discharge to be equal.

Table 1. Inductor Selection

PART	RECOMMENDED INDUCTANCE (μH)
$f_{SW} = 2.1\text{MHz}$	2.2
$f_{SW} = 400\text{kHz}$	10

Table 2. Output-Capacitance Selection

PART	NOMINAL OUTPUT CAPACITANCE (μF)	MINIMUM OUTPUT CAPACITANCE (μF)
$f_{SW} = 2.1\text{MHz}$	35	25
$f_{SW} = 400\text{kHz}$	44	34

The following equations show the output capacitance and ESR requirement for a specified output-voltage ripple.

Equations 3:

$$ESR = \frac{\Delta V_{ESR}}{\Delta I_{P-P}}$$

$$C_{OUT} = \frac{\Delta I_{P-P}}{8 \times \Delta V_Q \times f_{SW}}$$

where

$$\Delta I_{P-P} = \frac{(V_{IN} - V_{OUT}) \times V_{OUT}}{V_{IN} \times f_{SW} \times L}$$

and

$$V_{OUT_RIPPLE} = \Delta V_{ESR} + \Delta V_Q$$

ΔI_{P-P} is the peak-to-peak inductor current as calculated above, and f_{SW} is the converter's switching frequency. The allowable deviation of the output voltage during fast transient loads also determines the output capacitance and its ESR. The output capacitor supplies the step-load current until the converter responds with a greater duty cycle. The resistive drop across the output capacitor's ESR and the capacitor discharge causes a voltage droop during a step load. Use a combination of low-ESR tantalum and ceramic capacitors for better transient-load and ripple/noise performance. Keep the maximum output-voltage deviations below the tolerable limits of the electronics being powered. When using a ceramic capacitor, assume an 80% and 20% contribution from the output-capacitance discharge and the ESR drop, respectively. Use the following equations to calculate the required ESR and capacitance value:

Equations 4:

$$ESR_{OUT} = \frac{\Delta V_{ESR}}{I_{STEP}}$$

$$C_{OUT} \geq \left(I_{STEP}^2 \times \frac{L}{2 \times (V_{IN} - V_{OUT}) \times D_{MAX} \times \Delta V_Q} \right) + \left(I_{STEP} \times \frac{t_{DELAY}}{\Delta V_Q} \right)$$

where I_{STEP} is the load step and t_{DELAY} is the delay for the PWM mode, the worst-case delay would be $(1 - D) t_{SW}$ when the load step occurs immediately after a turn-on cycle. This delay is greater in skip mode.

PCB Layout Guidelines

Careful PCB layout is critical to achieve low switching-power losses and clean, stable operation. Use a multi-layer board whenever possible for better noise immunity. The package for MAX20079 offers a unique symmetrical design, which helps cancel the magnetic field generated in the opposite direction. Adhere the following guidelines to ensure a low-noise PCB layout:

- Place two high-frequency ceramic capacitors (C_{IN}) on two SUP pins, on opposite sides of the IC and close to the device. High-frequency AC current flows on the loop formed by the input capacitor and the half-bridge MOSFETs internal to the device (see [Figure 2](#)). A small loop would reduce the radiating effect of high switching currents and improve EMI functionality. Two capacitors placed on opposite sides create current loops in the opposite direction, which cancels the magnetic field to reduce radiated EMI.
- Solder the exposed pad to a large copper-plane area under the device. To effectively use this copper area as a heat exchanger between the PCB and ambient environment, expose the copper area on the top and bottom. Add a few small vias (or one large via) on the copper pad for efficient heat transfer.
- Connect PGND and AGND pins directly to the exposed pad under the IC. This ensures the shortest connection path between AGND and PGND.
- Keep the power traces and load connections short. This practice is essential for high efficiency. Use a thick copper PCB to enhance full-load efficiency and power-dissipation capability.
- Using internal PCB layers as ground planes helps to improve the EMI functionality, as ground planes act as a shield against radiated noise. Spread multiple vias around the board, especially near the ground connections, for better overall ground connection.
- Keep the bias capacitor (C_{BIAS}) close to the device to reduce the bias current loop. This helps to reduce noise on the bias for smooth operation.
- Place output capacitors (C_{OUT}) symmetrically on the opposite sides of the inductor. This further reduces the radiated noise.

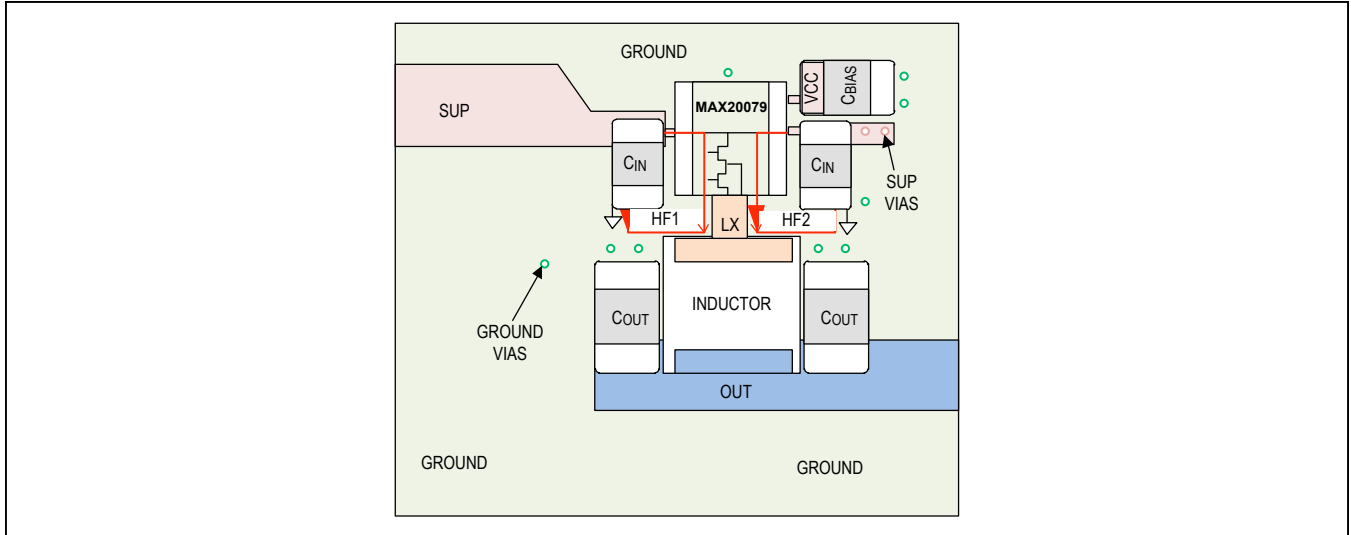


Figure 2. Recommended PCB Layout for MAX20079

Typical Application Circuits

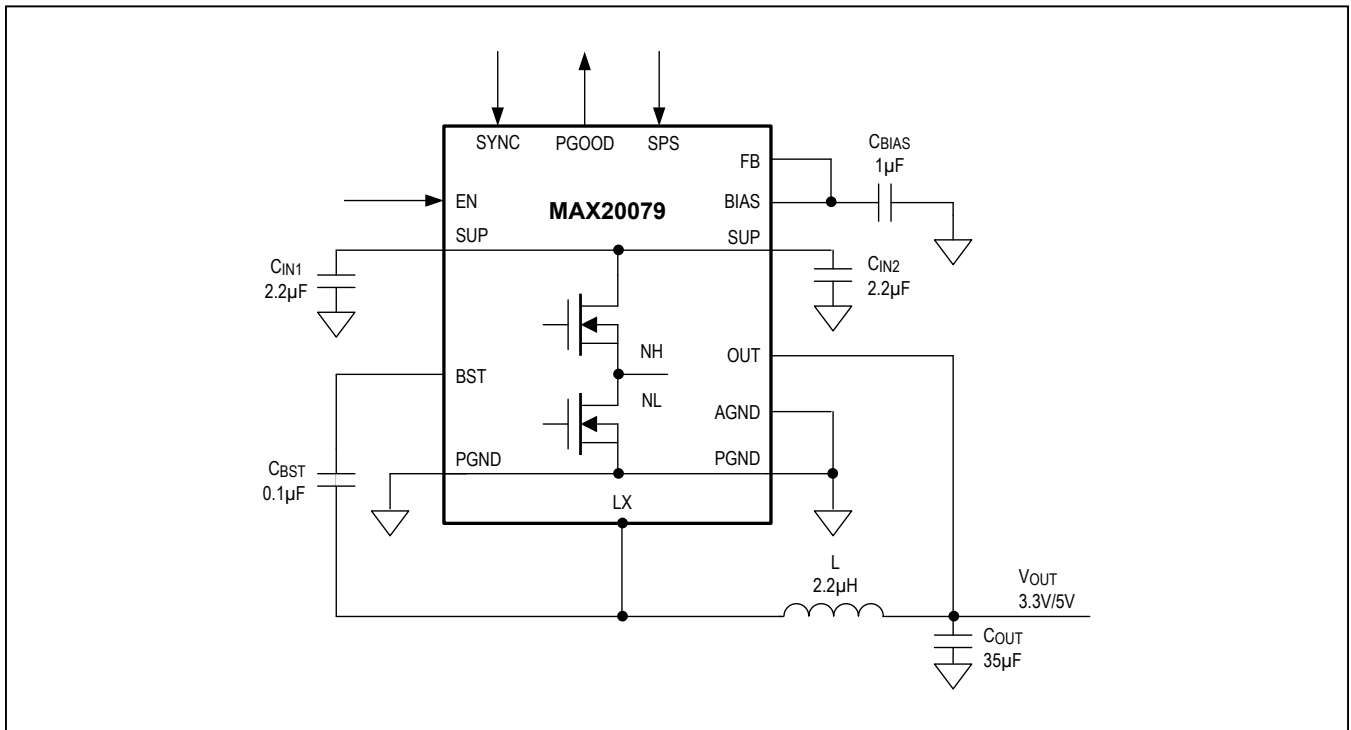


Figure 3. 2.1MHz, 5V/3.3V Fixed Output in 20-Pin Side-Wettable TQFN Package

Typical Application Circuits (continued)

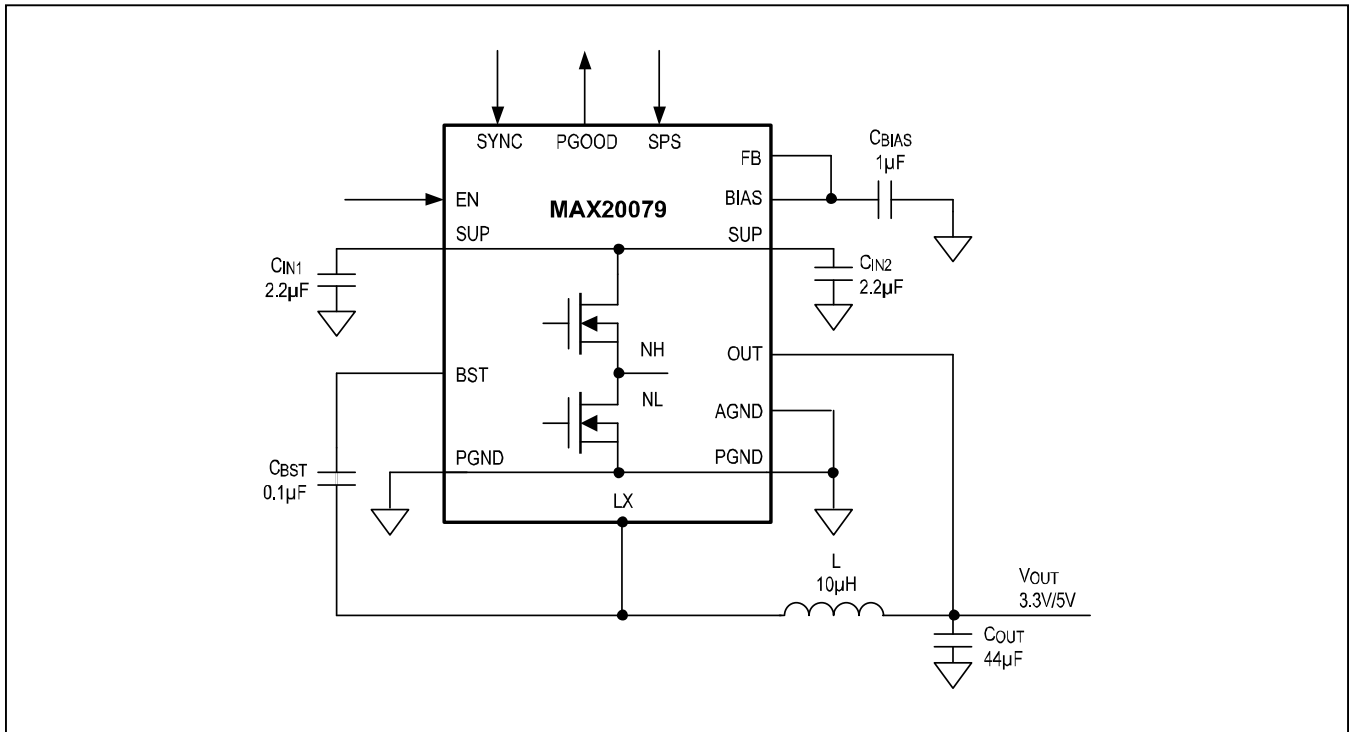


Figure 4. 400kHz, 5V/3.3V Fixed Output in 20-Pin Side-Wettable TQFN Package

Ordering Information

PART NUMBER	V _{OUT}	f _{sw}	PACKAGE	I _{OUT} (A)
MAX20079AATP/VY+	5.0V (fixed), or 3V to 12V using external divider	2.1MHz	T2044Y+5C	3.5
MAX20079BATP/VY+*	3.3V (fixed), or 3V to 12V using external divider	2.1MHz	T2044Y+5C	3.5
MAX20079DATP/VY+*	5.0V (fixed), or 3V to 12V using external divider	400kHz	T2044Y+5C	3.5
MAX20079EATP/VY+*	3.3V (fixed), or 3V to 12V using external divider	400kHz	T2044Y+5C	3.5
MAX20079FATP/VY+	3.395V (fixed), or 3V to 12V using external divider	2.1MHz	T2044Y+5C	3.5

Note: All part numbers are OTP versions, no metal mask differences.

/V Denotes an automotive qualified part

+ Denotes a lead(Pb)-free/RoHS-compliant package

* Future Product - Contact factory for availability

Revision History

REVISION NUMBER	REVISION DATE	DESCRIPTION	PAGES CHANGED
0	1/19	Initial release	—
1	3/19	Updated <i>General Description, Benefits and Features, Absolute Maximum Ratings, Electrical Characteristics, Applications Information, and Ordering Information.</i>	1, 3, 4, 11, 12, 15
2	4/19	Updated the PN (**) on three variants for intro in the <i>Ordering Information</i>	15

For pricing, delivery, and ordering information, please visit Maxim Integrated's online storefront at <https://www.maximintegrated.com/en/storefront/storefront.html>.

Maxim Integrated cannot assume responsibility for use of any circuitry other than circuitry entirely embodied in a Maxim Integrated product. No circuit patent licenses are implied. Maxim Integrated reserves the right to change the circuitry and specifications without notice at any time. The parametric values (min and max limits) shown in the Electrical Characteristics table are guaranteed. Other parametric values quoted in this data sheet are provided for guidance.

X-ON Electronics

Largest Supplier of Electrical and Electronic Components

Click to view similar products for [Switching Voltage Regulators](#) category:

Click to view products by [Maxim](#) manufacturer:

Other Similar products are found below :

[FAN53610AUC33X](#) [FAN53611AUC123X](#) [FAN48610BUC33X](#) [FAN48610BUC45X](#) [FAN48617UC50X](#) [R3](#) [430464BB](#) [MIC45116-1YMP-T1](#) [KE177614](#) [MAX809TTR](#) [NCV891234MW50R2G](#) [NCP81103MNTXG](#) [NCP81203PMNTXG](#) [NCP81208MNTXG](#) [NCP81109GMNTXG](#) [SCY1751FCCT1G](#) [NCP81109JMNTXG](#) [AP3409ADNTR-G1](#) [LTM8064IY](#) [LT8315EFE#TRPBF](#) [NCV1077CSTBT3G](#) [XCL207A123CR-G](#) [MPM54304GMN-0002](#) [MPM54304GMN-0003](#) [XDPE132G5CG000XUMA1](#) [DA9121-B0V76](#) [LTC3644IY#PBF](#) [MP8757GL-P](#) [MIC23356YFT-TR](#) [LD8116CGL](#) [HG2269M/TR](#) [OB2269](#) [XD3526](#) [U6215A](#) [U6215B](#) [U6620S](#) [LTC3803ES6#TR](#) [LTC3803ES6#TRM](#) [LTC3412IFE](#) [LT1425IS](#) [MAX25203BATJA/VY+](#) [MAX77874CEWM+](#) [XC9236D08CER-G](#) [ISL95338IRTZ](#) [MP3416GJ-P](#) [BD9S201NUX-CE2](#) [MP5461GC-Z](#) [MPQ4415AGQB-Z](#) [MPQ4590GS-Z](#) [MCP1603-330IMC](#)