

## MAX20429

# Dual 6A High-Efficiency Low Voltage Buck Converter

### General Description

The MAX20429 is a high-efficiency dual switching regulator that delivers up to 6A (peak) load current per output from 0.5V to 1.5875V in 12.5mV steps and 1.6V to 3.8V in 50mV steps. The IC operates from 3V to 5.5V, making it ideal for on-board point-of-load and post-regulation applications. Total output error is less than  $\pm 1.0\%$  over load, line, and temperature.

The MAX20429 features fixed-frequency PWM mode operation with a switching frequency of 2.1MHz or 3.2MHz. High-frequency operation allows for an all-ceramic capacitor design with small external components.

The low-resistance on-chip switches ensure high efficiency at heavy loads while minimizing critical inductances, making the layout a much simpler task with respect to discrete solutions. Following a simple layout and footprint ensures first-pass success in new designs.

The device features the MAXQ™ technology, which provides precision transient performance and phase margin. This allows obtaining the maximum power, performance, and precision from the converter over a very wide range of configurations.

The MAX20429 has separate enable inputs and status outputs for each buck converter. The output voltage is preset at the factory to allow customers to achieve  $\pm 1\%$  output-voltage accuracy without using expensive 0.1% resistors. The devices offer factory programmable soft-start and RESET times.

The devices include over-temperature shutdown and over-current limiting. All devices are designed to operate from  $-40\text{ }^{\circ}\text{C}$  to  $+125\text{ }^{\circ}\text{C}$  ambient temperature range.

### Applications

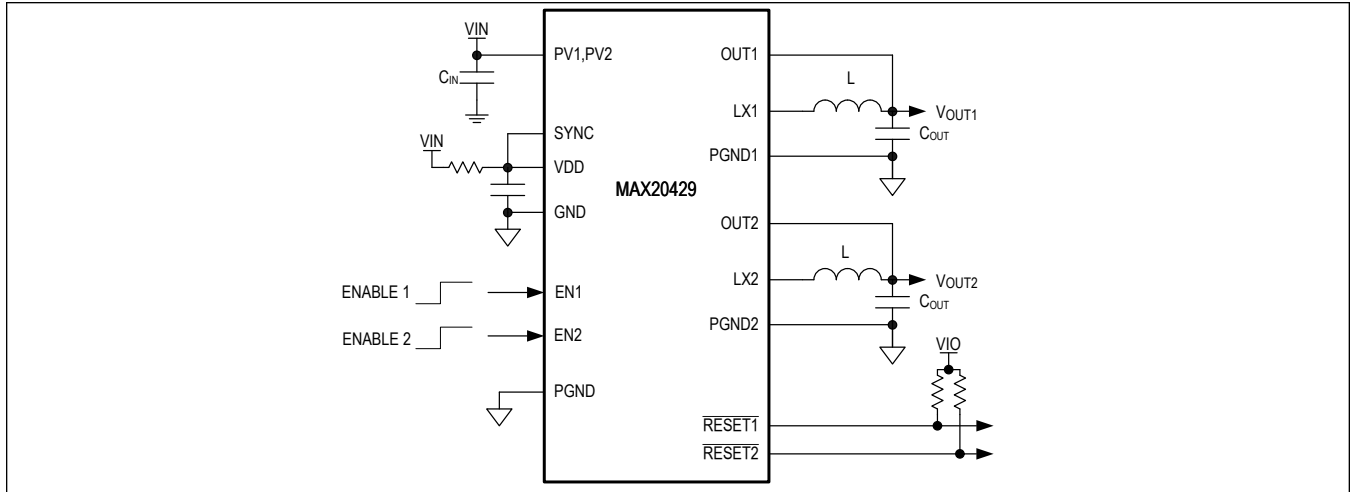
- Secondary Regulator for SoC / MCU Supply

### Benefits and Features

- High-Feature Set in an Ultra-Small Footprint
  - High-Efficiency DC-DC Converter
  - Two Independent Outputs, up to 6A per Output
  - 3.0V to 5.5V Operating Supply Voltage
  - Resistor-Adjustable Output Voltage
  - Optional Factory-Preset Output Voltage
  - 2.1MHz/3.2MHz Options
  - Enable Input
  - Individual RESET Outputs
  - Spread-Spectrum Option
  - Peak Current-Mode Architecture
  - 3mm x 3.5mm FCQFN
- High-Precision
  - 108/92% OV/UV Monitor
  - $\pm 3\%$  OV/UV Accuracy
  - $\pm 1\%$  Output Voltage Accuracy
  - Excellent Load-Transient Performance
  - PWM and SKIP Mode Operation
  - MAXQ™ Power Architecture
- High Efficiency
  - Up to 96% Efficiency 5V to 3.3V
  - Up to 90% Efficiency 5V to 1V
- $-40\text{ }^{\circ}\text{C}$  to  $+125\text{ }^{\circ}\text{C}$  Operating Temperature Range
- AEC-Q100 Qualified

*Ordering Information appears at end of data sheet.*

Simplified Block Diagram



---

**TABLE OF CONTENTS**


---

General Description . . . . .	1
Applications . . . . .	1
Benefits and Features . . . . .	1
Simplified Block Diagram . . . . .	2
Absolute Maximum Ratings . . . . .	5
Package Information . . . . .	5
FC2QFN . . . . .	5
Electrical Characteristics . . . . .	5
Typical Operating Characteristics . . . . .	9
Pin Configuration . . . . .	10
MAX20429 . . . . .	10
Pin Description . . . . .	11
Functional Diagrams . . . . .	12
Internal Block Diagram . . . . .	12
Detailed Description . . . . .	13
MAXQ Power Architecture (No Wasted Performance) . . . . .	13
Enable Input (EN1, EN2) . . . . .	13
RESET Output . . . . .	13
Internal Oscillator . . . . .	13
Synchronization (SYNC) . . . . .	13
Soft-Start and Soft-Shutdown . . . . .	13
Current Limit / Short-Circuit Protection . . . . .	13
PWM/SKIP Modes . . . . .	14
Overtemperature Protection . . . . .	14
Spread Spectrum . . . . .	14
Resistor-Adjustable Output . . . . .	14
Applications Information . . . . .	15
Input Capacitor Selection . . . . .	15
Inductor Selection . . . . .	15
Output Capacitors . . . . .	16
Typical Application Circuits . . . . .	17
Typical Application Diagram . . . . .	17
Ordering Information . . . . .	17
Revision History . . . . .	18

---

**LIST OF TABLES**

---

Table 1. Slope Compensation Terms .....	15
Table 2. Output Capacitor Terms .....	16

### Absolute Maximum Ratings

PV1, PV2 to GND .....	-0.3V to 6V	LX Continuous RMS Current (15000hr lifespan) .....	6A
V <sub>DD</sub> to GND.....	-0.3V to 6V	Output Short-Circuit Duration.....	Continuous
OUT1, OUT2 to GND .....	-0.3V to V <sub>DD</sub> +0.3V	Continuous Power Dissipation (4-Layer Board) (T <sub>A</sub> = +70°C, derate 51.8 mW/°C above +70°C. ) .....	to 4145mW
LX1, LX2 to GND.....	-0.3 to PV <sub>-</sub> + 0.3	Ambient Operating Temperature .....	-40°C to +125°C
EN1, EN2, RESET1, RESET2 to GND .....	-0.3V to 6V	Operating Junction Temperature .....	-40°C to +150°C
SYNC to GND.....	-0.3V to V <sub>DD</sub> +0.3V	Storage Temperature Range .....	-65°C to +150°C
PGND <sub>-</sub> to GND .....	-0.3V to +0.3V	Lead Temperature Range.....	+300°C
LX Continuous RMS Current (95000hr lifespan).....	4A		

Stresses beyond those listed under "Absolute Maximum Ratings" may cause permanent damage to the device. These are stress ratings only, and functional operation of the device at these or any other conditions beyond those indicated in the operational sections of the specifications is not implied. Exposure to absolute maximum rating conditions for extended periods may affect device reliability.

### Package Information

#### FC2QFN

Package Code	F183A3FY+1
Outline Number	<a href="#">21-100428</a>
Land Pattern Number	<a href="#">90-100155</a>
<b>Thermal Resistance, Four-Layer Board:</b>	
Junction to Ambient (θ <sub>JA</sub> )	19.3°C/W
Junction to Case (θ <sub>JC</sub> )	5.0°C/W

For the latest package outline information and land patterns (footprints), go to [www.maximintegrated.com/packages](http://www.maximintegrated.com/packages). Note that a "+", "#", or "-" in the package code indicates RoHS status only. Package drawings may show a different suffix character, but the drawing pertains to the package regardless of RoHS status.

Package thermal resistances were obtained using the method described in JEDEC specification JESD51-7, using a four-layer board. For detailed information on package thermal considerations, refer to [www.maximintegrated.com/thermal-tutorial](http://www.maximintegrated.com/thermal-tutorial).

### Electrical Characteristics

(PV1 = PV2 = 5V, T<sub>J</sub> = -40 °C to +150 °C, unless otherwise noted. Typical values are at T<sub>A</sub> = 25 °C under normal conditions unless otherwise noted.)

PARAMETER	SYMBOL	CONDITIONS	MIN	TYP	MAX	UNITS
PV Supply Voltage Range	V <sub>PV</sub>		3.0		5.5	V
Supply Current	I <sub>VDD</sub>	V <sub>EN1</sub> = V <sub>EN2</sub> = low, T <sub>A</sub> = +25°C		3	5	µA
		V <sub>EN1</sub> = high, V <sub>EN2</sub> = low, no load		440		
V <sub>DD</sub> UVLO	V <sub>UVLO</sub>	Falling	2.4	2.6		V
V <sub>DD</sub> UVLO	V <sub>UVLO</sub>	Rising		2.7	2.9	V
Oscillator Frequency	f <sub>SW</sub>	f <sub>SW</sub> = 2.1MHz	1.9	2.1	2.3	MHz
		f <sub>SW</sub> = 3.2MHz	2.9	3.2	3.6	
Spread Spectrum Range				+3		%

## Electrical Characteristics (continued)

(PV1 = PV2 = 5V, T<sub>J</sub> = -40 °C to +150 °C, unless otherwise noted. Typical values are at T<sub>A</sub> = 25 °C under normal conditions unless otherwise noted.)

PARAMETER	SYMBOL	CONDITIONS	MIN	TYP	MAX	UNITS
<b>OUT</b>						
Output Voltage	V <sub>OUT</sub>	Programmable voltage range, 3.0 V ≤ V <sub>PV</sub> ≤ 5.5V (Note 4)	0.5		3.8	V
		Step size, 0.5 V ≤ V <sub>OUT</sub> ≤ 1.5875 V (Note 4)		12.5		mV
		Step size, 1.6 V ≤ V <sub>OUT</sub> ≤ 3.8 V (Note 4)		50		
Skip Mode Peak Current	I <sub>SKIP</sub>	Option 1	0.7	0.825	1	A
		Option 2	0.9	1.1	1.3	
		Option 3	1.15	1.4	1.65	
		Option 4	1.3	1.69	2	
Voltage Accuracy		PWM mode, 0A ≤ I <sub>LOAD</sub> ≤ I <sub>MAX</sub> , MAX(3.0V, V <sub>OUT</sub> + 0.5V) ≤ V <sub>IN</sub> ≤ 5.5V, 0.6V ≥ V <sub>OUT</sub> ≥ 3.8V	-1		1	%
		PWM mode, 0A ≤ I <sub>LOAD</sub> ≤ I <sub>MAX</sub> , 0.5V ≤ V <sub>OUT</sub> ≤ 0.5875V	-7		+7	mV
		PWM mode, 0A ≤ I <sub>LOAD</sub> ≤ I <sub>MAX</sub> , MAX(3.0V, V <sub>OUT</sub> + 0.5V) ≤ V <sub>IN</sub> ≤ 5.5V, V <sub>OUT</sub> = 0.6V. ADJ variant MAX20429CAFNA/VY+	-1		+1	%
DC Load Regulation		0A ≤ I <sub>LOAD</sub> ≤ I <sub>MAX</sub> (PWM mode)		0.1		%
DC Line Regulation		PV <sub>-</sub> from 3V to 5.5V		0.05		%/V
High-Side On-Resistance	R <sub>ON-H</sub>	Including metal and package		18	50	mΩ
		Intrinsic		16		
Low-Side On-Resistance	R <sub>ON-L</sub>	Including metal and package		12	50	mΩ
		Intrinsic		10		
Efficiency		V <sub>IN</sub> = 5V, V <sub>OUT</sub> = 1.8V, L = 220nH, DCR = 13mΩ		92.4		%
Current-Limit Threshold	I <sub>LIM</sub>	Option 1 (2.0A DC)	2.6	3.5		A
		Option 2 (3.0A DC)	3.9	4.7		
		Option 3 (4.0A DC)	5.2	6.0		
		Option 4 (6.0A DC)	7.8	10		
nMOS Zero-Crossing Threshold	I <sub>ZX</sub>			100		mA
LX_ Rise/Fall Time		PV = 3.3V, I <sub>OUT</sub> = 2A (Note 4)		1		ns
Dead Time	t <sub>DEAD</sub>	PV = 3.3V, I <sub>OUT</sub> = 2A (Note 4)		3		ns
LX_ Leakage Current				0.01		μA
Max Duty Cycle	D <sub>MAX</sub>	Effective	100			%
Minimum On-Time	t <sub>ON</sub>			35	60	ns
LX_ Discharge Resistance	R <sub>DIS</sub>			50		Ω

**Electrical Characteristics (continued)**

(PV1 = PV2 = 5V, T<sub>J</sub> = -40 °C to +150 °C, unless otherwise noted. Typical values are at T<sub>A</sub> = 25 °C under normal conditions unless otherwise noted.)

PARAMETER	SYMBOL	CONDITIONS	MIN	TYP	MAX	UNITS
LX_ Switching Phase		LX1 rising to LX2 rising (Note 4)		180		°
Soft-Start Rate		Option 1 (step = 12.5mV for V <sub>OUT</sub> < 1.6V, otherwise 50mV)		32		clks/step
		Option 2 (step = 12.5mV for V <sub>OUT</sub> < 1.6V, otherwise 50mV)		16		
		Option 3 (step = 12.5mV for V <sub>OUT</sub> < 1.6V, otherwise 50mV)		8		
		Option 4 (step = 12.5mV for V <sub>OUT</sub> < 1.6V, otherwise 50mV)		4		
Soft-Shutdown Rate	t <sub>SHDN</sub>	Option 1		Hi-Z		clks/step
		Option 2 (step = 12.5mV for V <sub>OUT</sub> < 1.6V, otherwise 50mV)		32		
Voltage Accuracy		PWM mode, 0A ≤ I <sub>LOAD</sub> ≤ I <sub>MAX</sub> , 0.5V ≤ V <sub>OUT</sub> ≤ 0.5875V	-7		+7	mV
<b>RESET</b>						
OV Threshold Range		V <sub>OUT</sub> Rising	104	108	112	%
UV Threshold Range		V <sub>OUT</sub> Falling	89	92	95	%
Active Timeout Period	t <sub>HOLD</sub>	Option 1 (15.6ms@2.1MHz, 10.2ms@3.2MHz)		32768		clks
		Option 2 (7.8ms@2.1MHz, 5.1ms@3.2MHz)		16384		
		Option 3 (3.9ms@2.1MHz, 2.5ms@3.2MHz)		8192		
		Option 4 (488μs@2.1MHz, 320μs@3.2MHz)		1024		
Output Low Level		ISINK = 3mA		0.1	0.2	V
Thermal Shutdown Temperature	T <sub>SHDN</sub>	(Note 4)		165		°C
Thermal Shutdown Hysteresis	T <sub>HYS</sub>	(Note 4)		15		°C
Leakage Current				0.1		μA
OV/UV Filter				10		μs
<b>ENABLE INPUT (EN)</b>						
Input High		Rising	1.5			V
Input Low		Falling			0.5	V
Hysteresis				0.05		V
Leakage Current				0.1		μA
<b>SYNCHRONIZATION (SYNC)</b>						
Input High			1.8			V
Input Low					0.4	V

**Electrical Characteristics (continued)**

(PV1 = PV2 = 5V, T<sub>J</sub> = -40 °C to +150 °C, unless otherwise noted. Typical values are at T<sub>A</sub> = 25 °C under normal conditions unless otherwise noted.)

PARAMETER	SYMBOL	CONDITIONS	MIN	TYP	MAX	UNITS
SYNC Input Frequency Range	f <sub>SYNC</sub>	f <sub>SW</sub> = 2.1MHz	1.8		2.5	MHz
		f <sub>SW</sub> = 3.2MHz	2.8		3.6	
Pulldown Resistance				100		kΩ

**Note 1:** Package thermal resistances were obtained using the method described in JEDEC specification JESD51-7, using a 4-layer board. For detailed information on package thermal considerations see <http://www.maxim-ic.com/thermal-tutorial>.

**Note 2:** All units are 100% production tested at +25°C. All temperature limits are guaranteed by design.

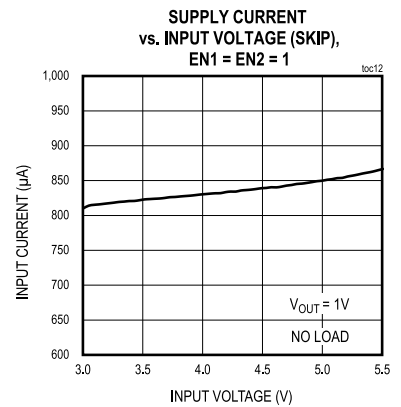
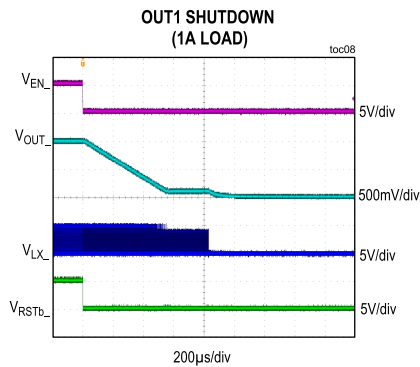
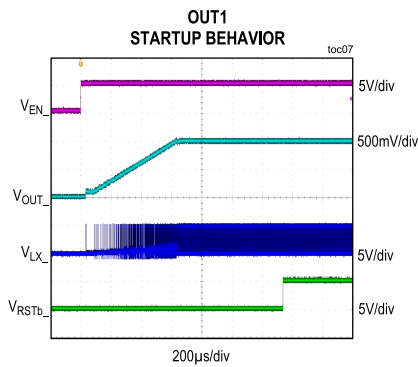
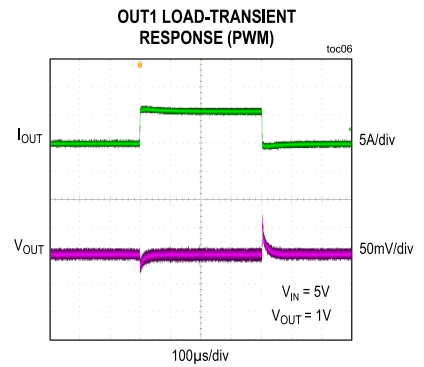
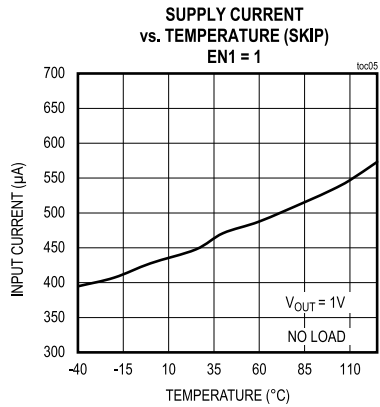
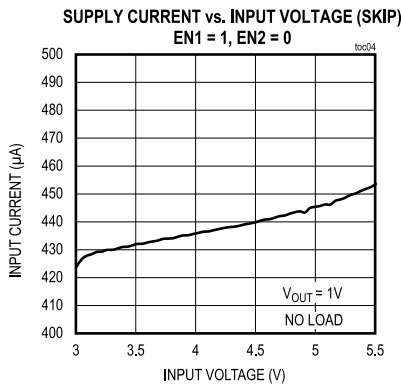
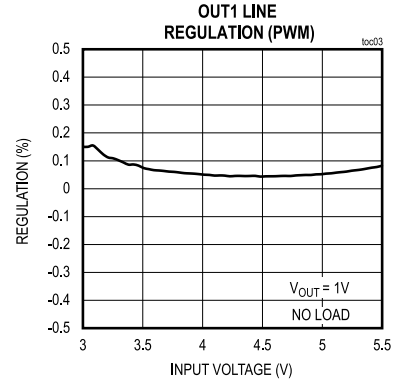
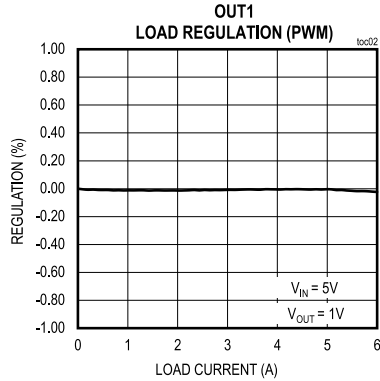
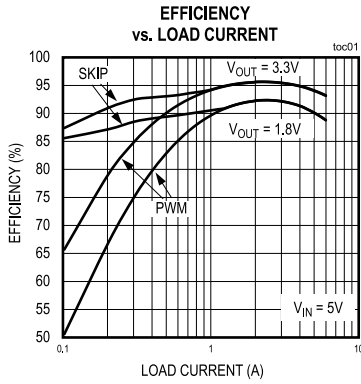
**Note 3:** The device is designed for continuous operation up to T<sub>J</sub> = +125°C for 95,000 hours and T<sub>J</sub> = +150°C for 5,000 hours.

**Note 4:** Guaranteed by design. Not production tested.



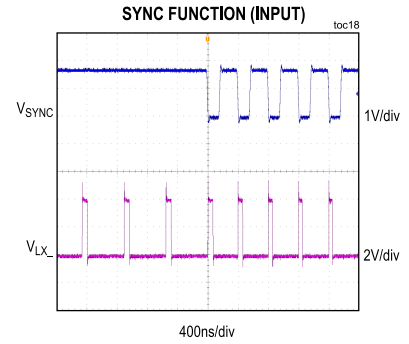
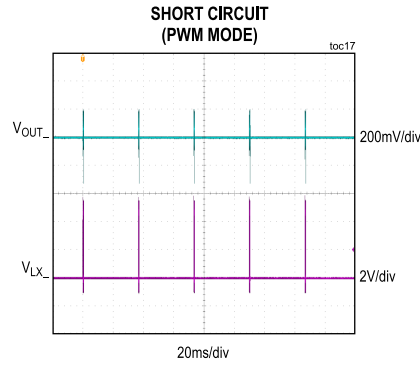
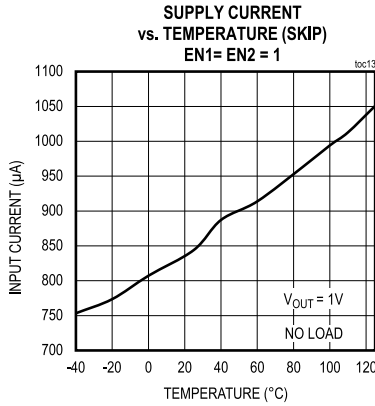
Typical Operating Characteristics

( $V_{PV1} = V_{PV2} = 5V$ ;  $T_A = +25^\circ C$  unless otherwise noted)



Typical Operating Characteristics (continued)

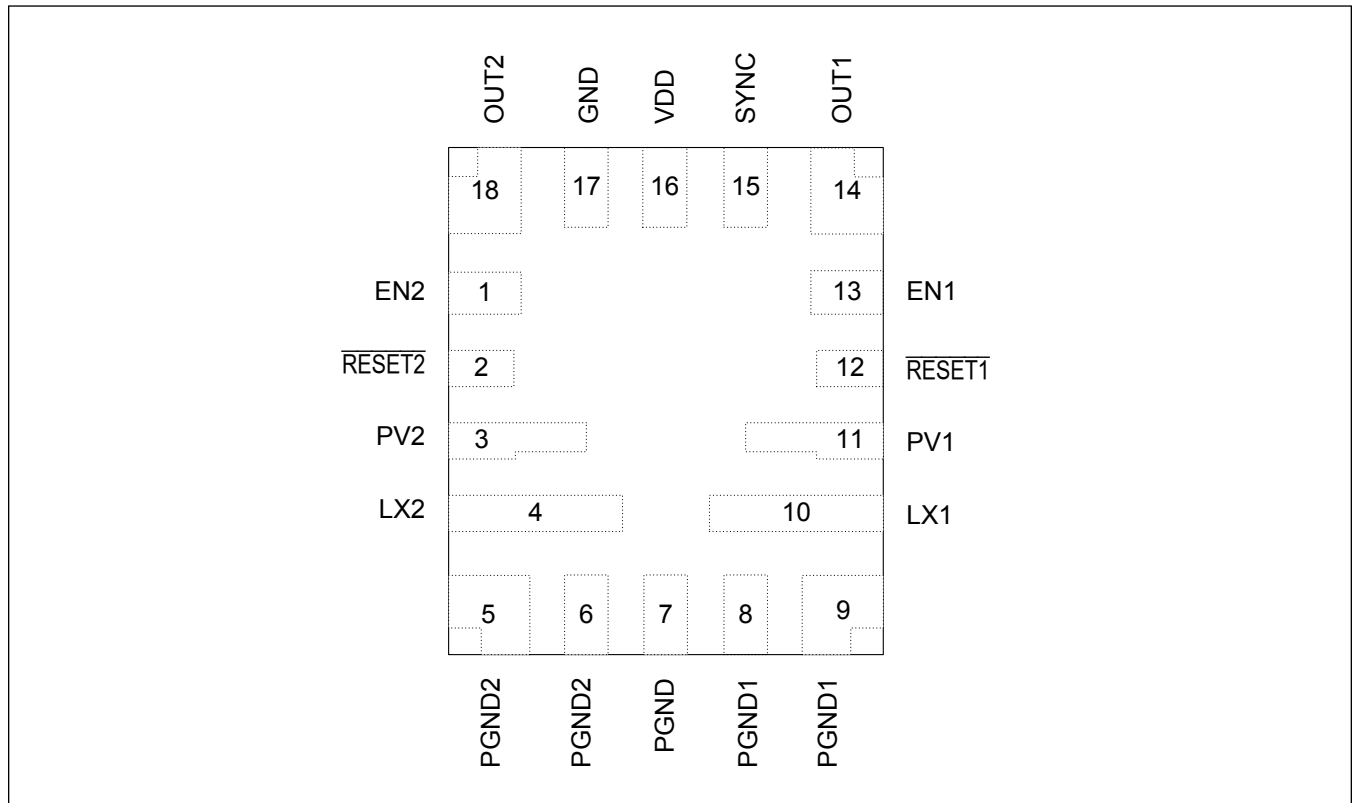
( $V_{PV1} = V_{PV2} = 5V$ ;  $T_A = +25^{\circ}C$  unless otherwise noted)



Pin Configuration

MAX20429

TOP VIEW

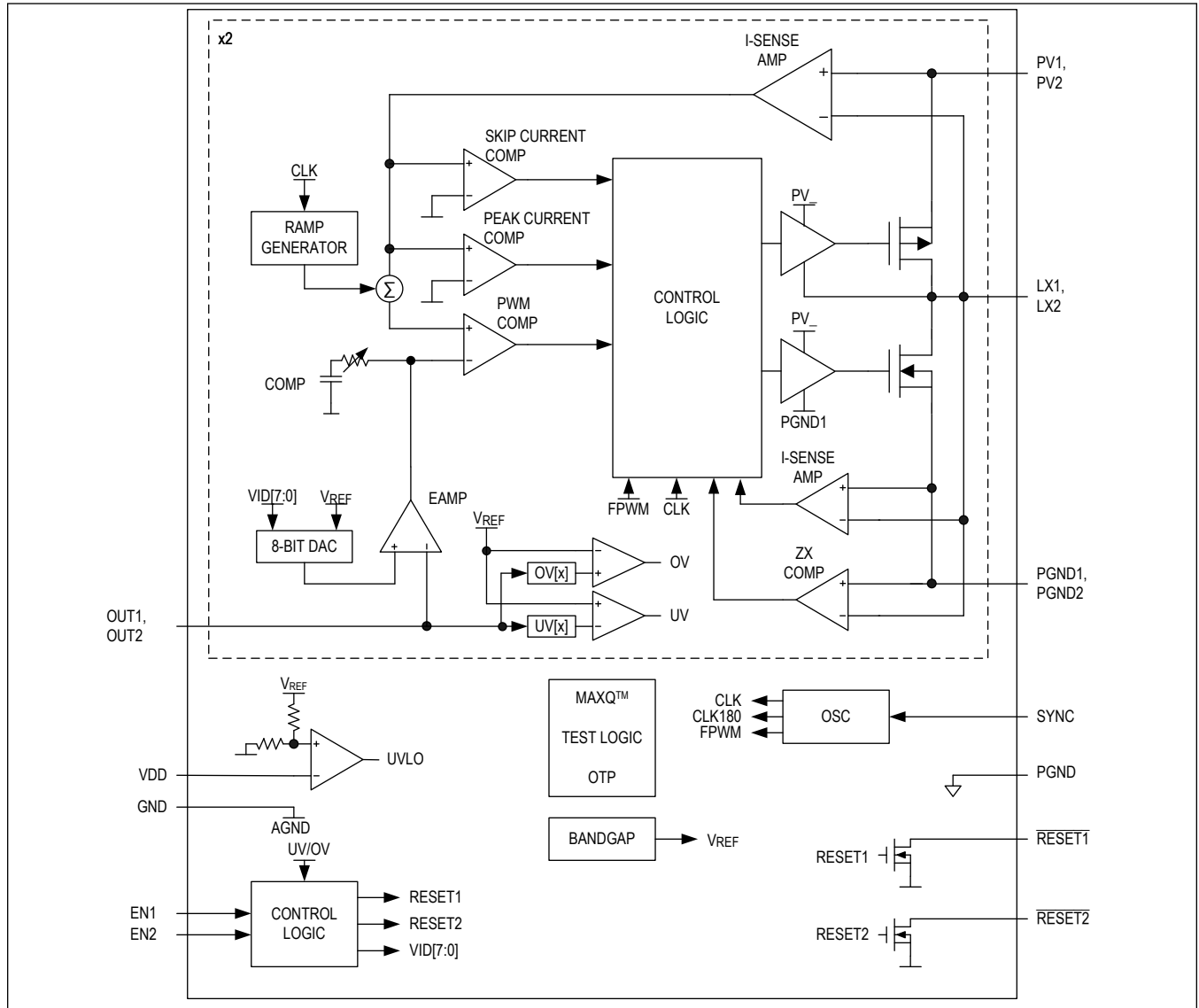


## Pin Description

PIN	NAME	FUNCTION
1	EN2	OUT2 Active-High Enable Input. Drive EN2 HIGH for normal operation. The device enters soft-start on the rising edge enters soft-shutdown on the falling edge.
2	$\overline{\text{RESET2}}$	OUT2 Active-Low Open Drain $\overline{\text{RESET}}$ Output. External pullup resistor required if used.
3	PV2	OUT2 Power Input Supply. Connect a 10 $\mu$ F or larger ceramic capacitor from PV2 to PGND2.
4	LX2	OUT2 Inductor Connection. Connect LX2 to the switched side of the inductor.
5,6	PGND2	OUT2 Power Ground
7	PGND	Power Ground
8,9	PGND1	OUT1 Power Ground
10	LX1	OUT1 Inductor Connection. Connect LX1 to the switched side of the inductor.
11	PV1	OUT1 Power Input Supply. Connect a 10 $\mu$ F or larger ceramic capacitor from PV1 to PGND1.
12	$\overline{\text{RESET1}}$	OUT1 Active-Low Open Drain $\overline{\text{RESET}}$ Output. External pullup resistor required if used.
13	EN1	OUT1 Active-High Enable Input. Drive EN1 HIGH for normal operation. The device enters soft-start on the rising edge enters soft-shutdown on the falling edge.
14	OUT1	OUT1 Feedback Input. Connect to the output capacitor of Output 1.
15	SYNC	SYNC Input. Connect SYNC to GND or leave unconnected to enable skip-mode operation under light loads. Connect SYNC to PV or an external clock to enable fixed-frequency FPWM operation.
16	V <sub>DD</sub>	Internal Analog Supply. Connect a 2.2 $\mu$ F capacitor between this pin and GND.
17	GND	Analog Ground
18	OUT2	OUT2 Feedback Input. Connect to the output capacitor of Output 2.

Functional Diagrams

Internal Block Diagram



## Detailed Description

### MAXQ Power Architecture (No Wasted Performance)

The MAXQ power architecture allows the MAX20429 to achieve the maximum dynamic performance under all worst-case conditions. Without the MAXQ power architecture, typical AC performance must be lowered below the device capabilities to guarantee that the device will be stable under all worst-case application conditions. The MAXQ power architecture keeps the device operating at peak performance.

### Enable Input (EN1, EN2)

The enable control input EN1/EN2 activates the device channel from its low-power shutdown state. EN1/EN2 have an input-high threshold of 1.5V (typ), an input-low threshold of 0.5V, and a hysteresis of 50mV (typ). When an enable input goes high, the output voltage ramps up with the soft-start time. When an enable input goes low, the output voltage ramps down with the soft-start time or enters a Hi-Z state depending on the factory programmed setting of the device. See Soft-Start and Soft-Shutdown section for more detail.

### RESET Output

The device features open-drain reset outputs that assert low when the corresponding output voltage is outside of the OV/UV window. The OV/UV comparators run from a separate reference to provide drift detection on the outputs. RESET<sub>1</sub> remains asserted for a fixed timeout period after the corresponding output returns to its regulated voltage. The fixed timeout period for 2.1 MHz is selectable between 0.5ms, 3.9ms, 7.8ms, or 15.6ms. The fixed timeout period for 3.2 MHz is selectable between 0.3ms, 2.5ms, 5.1ms, or 10.2ms. To obtain a logic signal, place a pullup resistor between the RESET<sub>1</sub> pins to the system I/O voltage.

### Internal Oscillator

The device has a spread-spectrum oscillator that varies the internal operating frequency by  $\pm 3\%$  relative to the internally generated operating frequency of 2.1MHz/3.2MHz (typ). This function does not apply to externally applied oscillation frequency on the SYNC pin.

### Synchronization (SYNC)

A logic-high on SYNC enables fixed-frequency, forced-PWM mode. Apply an external clock on the SYNC input to synchronize the internal oscillator to an external clock. The SYNC input accepts signal frequencies in the range of  $1.9\text{MHz} < f_{\text{SYNC}} < 2.3\text{MHz}$  when  $f_{\text{SW}} = 2.1\text{MHz}$ , and  $2.9\text{MHz} < f_{\text{SYNC}} < 3.6\text{MHz}$  when  $f_{\text{SW}} = 3.2\text{MHz}$ . When the pin is open-circuited or logic-low, the SYNC input enables the device to enter a low-power skip mode under light-load conditions if the IC is configured to allow that behavior.

### Soft-Start and Soft-Shutdown

The device includes a factory-programmable fixed soft-start time. Soft-start time limits startup inrush current by forcing the output voltage to ramp up towards its regulation point. The soft-start ramp rate can be factory programmed with four different options: 32, 16, 8, or 4 clocks per step, where step size = 12.5mV for  $V_{\text{OUT}} \leq 1.6\text{V}$  (50mV step size when  $V_{\text{OUT}} > 1.6\text{V}$ ).

When an EN pin goes low, the associated output enters shutdown. There are factory programmable options available that will either simply disable switching and activate a 50 $\Omega$  (typ) discharge resistor, or perform a soft-shutdown by ramping down the reference at a fixed rate until a minimum on-time of 20ns is reached, at which point the switching stops and the discharge resistor is activated. The soft-shutdown ramp rate is fixed at 32 clocks per step, where step size = 12.5mV for  $V_{\text{OUT}} \leq 1.6\text{V}$  (50mV step size when  $V_{\text{OUT}} > 1.6\text{V}$ ) when not configured as a simple discharge resistor.

### Current Limit / Short-Circuit Protection

The device features a current limit that protects the device against short-circuit and overload conditions at the output. In the event of a short-circuit or overload condition, the high-side MOSFET remains on until the inductor current reaches

the high-side MOSFET's current-limit threshold. The converter then turns on the low-side MOSFET to allow the inductor current to ramp down. Once the inductor current crosses below the low-side MOSFET current-limit threshold, the converter turns on the high-side MOSFET again. This cycle repeats until the short or overload condition is removed.

If the device crosses the current limit with the output voltage below 50% of the target, hiccup mode will be enabled and the output will turn off for 10ms, then the channel will attempt to power up through soft-start.

### PWM/SKIP Modes

The device features an input (SYNC) that puts the converter either in SKIP mode or forced-PWM mode of operation. See [Pin Descriptions](#) for mode detail. In FPWM mode of operation, the converter switches at a constant frequency with variable on-time. In SKIP mode, the converter's switching frequency is load-dependent until the output load reaches a set threshold. At higher load current, the switching frequency does not change, and the operating mode is similar to the FPWM mode. SKIP mode helps improve efficiency in light-load applications by allowing the converter to turn on the high-side switch only when the output voltage falls below a set threshold. As such, the converter does not switch MOSFETs on and off, as is often the case in the PWM mode. Consequently, the gate charge and switching losses are much lower in SKIP mode.

### Overtemperature Protection

Thermal overload protection limits the total power dissipation in the MAX20429. When the junction temperature exceeds 165°C (typ), an internal thermal sensor shuts down both outputs, allowing the IC to cool. The thermal sensor turns on the outputs again after the junction temperature cools by 15°C.

### Spread Spectrum

The spread-spectrum option is enabled/disabled based on the part number. See the ordering table. If the spread spectrum is enabled and an external clock is applied to the SYNC pin, then the spread-spectrum circuit is bypassed, effectively disabling the option.

### Resistor-Adjustable Output

MAX20429 output voltage can be set by external resistors in addition to the factory programmed  $V_{OUT}$  options. See the [Typical Application Diagram](#) for placement of R1 and R2 external resistors. Desired output voltage can be calculated using the following method:

$$V_{OUT} = \frac{R1 + R2}{R2} * V_{REF}$$

where  $V_{REF} = 0.6V$  when using the device specified for adjustable output voltage.

Fixed output voltage devices can use external resistors to achieve output voltages higher than the factory setting. When using a fixed output voltage device, use the factory preset output voltage as  $V_{REF}$  to calculate the resistor values.

## Applications Information

### Input Capacitor Selection

An input filter capacitor reduces peak currents drawn from the upstream power source and reduces noise and voltage ripple on the input (caused by the circuit's switching behavior). One 10 $\mu$ F X7R ceramic capacitor each is recommended for the PV1 and PV2 pins. The V<sub>DD</sub> pin is the input to the analog circuitry and should be connected to the same supply as PV1/2 through a series 2 $\Omega$  resistor IC to a 2.2 $\mu$ F X7R bypass capacitor.

### Inductor Selection

Three key inductor parameters must be specified for operation with the MAX20429: inductance value (L), peak inductor current (I<sub>PEAK</sub>), and inductor saturation current (I<sub>SAT</sub>). The minimum required inductance is a function of operating frequency, input-to-output voltage differential, and the maximum output current capability of the output. A lower inductor value minimizes size and cost, improves large-signal and transient response, but reduces efficiency due to higher peak currents and higher peak-to-peak output-voltage ripple for the same output capacitor. On the other hand, higher inductance increases efficiency by reducing the ripple current. Resistive losses due to extra wire turns can exceed the benefit gained from lower ripple current levels especially when the inductance is increased without also allowing for larger inductor dimensions.

Soft-saturating inductors are recommended for use with the MAX20429. The gradual decrease in inductance means that the IC will respond to overcurrent conditions before the LX current reaches dangerously high levels that might otherwise result in damage to the IC. If a hard-saturating inductor is used, its saturation current must be above the maximum LX current limit. For a soft-saturation inductor, only the current limit for temperature must be above the maximum LX current limit.

The MAX20429 is designed for nominal  $\Delta I_{PK-PK}$  equal to approximately 33% of the full load current. Use the following equation to calculate the typical inductance with respect to ripple current:

$$L = \frac{(V_{IN} - V_{OUT}) \times V_{OUT}}{V_{IN} \times f_{SW} \times I_{MAX} \times \Delta_{PK-PK}}$$

The  $V_{IN}$  and  $V_{OUT}$  terms are typical values to optimize inductor selection for expected operating conditions. The switching frequency  $f_{SW}$  is 2.1MHz, 3.2MHz, or a different value if the synchronization function is utilized. The maximum current  $I_{MAX}$  is the channel's rated output current (2A, 3A, 4A, or 6A), not the expected application maximum load current. Calculate the minimum inductance  $L_{MIN1}$  with  $\Delta_{PK-PK} = 40\%$ , and the typical inductance  $L_{TYP1}$  with  $\Delta_{PK-PK} = 30\%$ .

The second bound on minimum inductance is with respect to slope compensation. This applies only to peak current control, not to adaptive COT control. The absolute minimum inductance allowable must ensure that the inductor current downslope is less than twice the downslope of the compensation ramp:

$$-m \geq \frac{m2}{2}$$

**Table 1. Slope Compensation Terms**

TERM	VALUE
m2	Inductor current downslope: $\frac{V_{OUT}}{L} \times R_{CS}$
-m	Compensating ramp: OTP_SLP * 0.680 V / $\mu$ sec
OTP_SLP	1/2, 2/3, 4/3 (factory programmed)
R <sub>CS</sub>	0.330 $\Omega$ for 2A channel
	0.240 $\Omega$ for 3A channel
	0.185 $\Omega$ for 4A channel
	0.133 $\Omega$ for 6A channel

For margin of error, the worst-case inductance (largest derating for current and temperature, plus lowest value for percent tolerance) should result in the inductor downslope being 25% greater than half the slope compensation ramp:

$$L_{MIN2} = V_{OUT} \times \frac{R_{CS}}{2 \times m} \times 1.25$$

Nominally, the inductor current down-slope should be approximately equal to the compensating ramp. Equal down-slopes will result in current waveform perturbations being eliminated in a single switching cycle:

$$L_{TYP2} = V_{OUT} \times \frac{R_{CS}}{m}$$

Two equations must therefore be fulfilled: one equation for minimum worst-case inductance (required) and one for typical inductance (recommended):  $L_{MIN} > \max(L_{MIN1}, L_{MIN2})$  and  $L_{TYP} > \max(L_{TYP1}, L_{TYP2})$ . The maximum inductance should be less than  $2 \times L_{TYP2}$  to avoid degrading the control performance.

### Output Capacitors

The MAX20429 is designed to be stable with low-ESR ceramic capacitors. Other capacitor types are not recommended as the ESR zero can affect stability of the device. The output capacitor calculations below are guidelines based on nominal conditions. The phase margin must be measured on the final circuit to verify proper stability is achieved.

Conditions:

- Feed-forward zero enabled, GMZ = 116μS, FFR = 300kΩ
- Nominal inductor value based on the Inductor Selection section

For  $V_{OUT} < 1.6V$

$$C_{OUT_{MIN}} = 11.5\mu\text{sec} \times I_{MAX} \times \frac{R_{COMP}}{140k\Omega}$$

$$C_{OUT_{TYP}} = 24.5\mu\text{sec} \times I_{MAX} \times \frac{R_{COMP}}{140k\Omega}$$

For  $V_{OUT} \geq 1.6V$

$$C_{OUT_{MIN}} = 8.0\mu\text{sec} \times I_{MAX} \times \frac{R_{COMP}}{140k\Omega}$$

$$C_{OUT_{TYP}} = 21.0\mu\text{sec} \times I_{MAX} \times \frac{R_{COMP}}{140k\Omega}$$

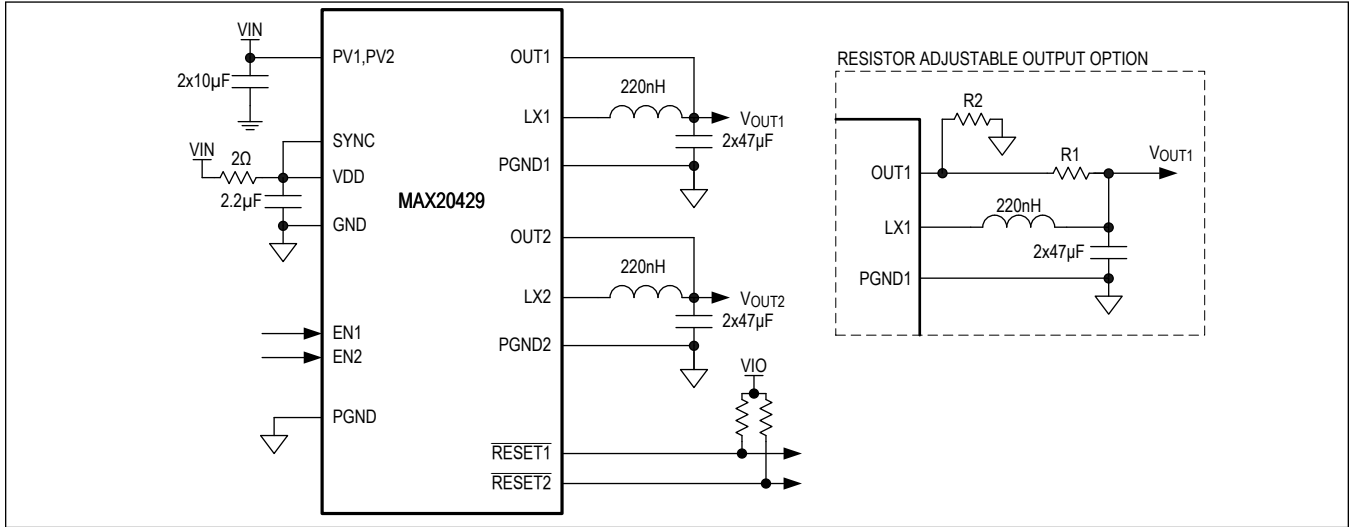
**Table 2. Output Capacitor Terms**

TERM	DESCRIPTION
COUT <sub>MIN</sub>	Minimum fully-derated capacitance necessary for phase margin of approximately 45 degrees
COUT <sub>TYP</sub>	Nominal output capacitance for a UGBW of 200kHz
I <sub>MAX</sub>	The IC channel's maximum DC current capability: 2A, 3A, 4A, or 6A
V <sub>OUT</sub>	Nominal output voltage
R <sub>COMP</sub>	Compensation Resistor setting. Default = 140kΩ. Can be factory set from 35kΩ to 297.5kΩ in 17.5kΩ increments.



Typical Application Circuits

Typical Application Diagram



Ordering Information

PART	V <sub>OUT1</sub> (V) (1)	I <sub>OUT1</sub> (A) (2)	V <sub>OUT2</sub> (V) (1)	I <sub>OUT2</sub> (A) (2)	SPREAD SPECTRUM (3)	f <sub>SW</sub> (MHz) (4)	t <sub>HOLD</sub> (ms) (5)	Soft-Start	Soft-Shutdown	R <sub>COMP</sub> (kΩ)
MAX20429AAFNA/VY+	0.85	3	0.72	6	ON	2.1	15.6	1.64 mv/us	0.82 mv/us	122.5
MAX20429CAFNA/VY+	ADJ (6)	6	ADJ (6)	6	ON	2.1	3.9	730 us (fixed)	730 us (fixed)	140

For variants with different options, contact the factory

N Denotes an AEC-Q100 automotive-qualified part.

+ Denotes lead(Pb)-free/RoHS-compliant package.

T Denotes tape-and-reel.

Y Denotes side-wettable package.

(1) Fixed factory setting, 0.5V to 1.5875V in 12.5mV steps or 1.6V to 3.8V in 50mV steps.

(2) 2, 3, 4, or 6

(3) ON or OFF

(4) 2.1 or 3.2

(5) 0.5, 3.9, 7.8, 15.6 for f<sub>SW</sub> = 2.1MHz or 0.3, 2.5, 5.1, 10.2 for f<sub>SW</sub> = 3.2MHz.

(6) ADJ (adjustable externally)

**Revision History**

REVISION NUMBER	REVISION DATE	DESCRIPTION	PAGES CHANGED
0	6/20	Initial release	—
1	12/20	Updated General Description, Benefits and Features, Absolute Maximum Ratings, Electrical Characteristics, Detailed Description, and Ordering Information	1, 4, 5, 12, 13, 16

For pricing, delivery, and ordering information, please visit Maxim Integrated's online storefront at <https://www.maximintegrated.com/en/storefront/storefront.html>.

*Maxim Integrated cannot assume responsibility for use of any circuitry other than circuitry entirely embodied in a Maxim Integrated product. No circuit patent licenses are implied. Maxim Integrated reserves the right to change the circuitry and specifications without notice at any time. The parametric values (min and max limits) shown in the Electrical Characteristics table are guaranteed. Other parametric values quoted in this data sheet are provided for guidance.*

## X-ON Electronics

Largest Supplier of Electrical and Electronic Components

*Click to view similar products for [Switching Voltage Regulators](#) category:*

*Click to view products by [Maxim](#) manufacturer:*

Other Similar products are found below :

[FAN53610AUC33X](#) [FAN53611AUC123X](#) [FAN48610BUC33X](#) [FAN48610BUC45X](#) [FAN48617UC50X](#) [R3](#) [430464BB](#) [KE177614](#)  
[MAX809TTR](#) [NCV891234MW50R2G](#) [NCP81103MNTXG](#) [NCP81203PMNTXG](#) [NCP81208MNTXG](#) [NCP81109GMNTXG](#)  
[SCY1751FCCT1G](#) [NCP81109JMNTXG](#) [AP3409ADNTR-G1](#) [LTM8064IY](#) [LT8315EFE#TRPBF](#) [NCV1077CSTBT3G](#) [XCL207A123CR-G](#)  
[MPM54304GMN-0002](#) [MPM54304GMN-0003](#) [XDPE132G5CG000XUMA1](#) [DA9121-B0V76](#) [LTC3644IY#PBF](#) [MP8757GL-P](#)  
[MIC23356YFT-TR](#) [LD8116CGL](#) [HG2269M/TR](#) [OB2269](#) [XD3526](#) [U6215A](#) [U6215B](#) [U6620S](#) [LTC3803ES6#TR](#) [LTC3803ES6#TRM](#)  
[LTC3412IFE](#) [LT1425IS](#) [MAX25203BATJA/VY+](#) [MAX77874CEWM+](#) [XC9236D08CER-G](#) [ISL95338IRTZ](#) [MP3416GJ-P](#) [BD9S201NUX-](#)  
[CE2](#) [MP5461GC-Z](#) [MPQ4415AGQB-Z](#) [MPQ4590GS-Z](#) [MCP1603-330IMC](#) [MCP1642B-18IMC](#)