

# ABRIDGED DATA SHEET

Click [here](#) for production status of specific part numbers.

## MAX25024

## Automotive Low Input Voltage I<sup>2</sup>C 4-Channel 150mA Backlight Driver supporting ASIL B

### General Description

The MAX25024 is a 4-channel backlight driver IC with boost controller for automotive displays. The integrated current outputs can sink up to 150mA LED current each. The device accepts a wide 2.5V to 36V input voltage range and withstands automotive load-dump events.

The internal current-mode switching DC-DC controller supports boost or SEPIC topologies and operates in the 400kHz to 2.2MHz frequency range. Integrated spread spectrum helps reduce EMI. An adaptive output-voltage-control scheme minimizes power dissipation in the LED current-sink paths.

Control is included for an external nMOSFET series switch to reduce quiescent current when the backlight is off and to disconnect the boost converter in the case of a fault.

The device features I<sup>2</sup>C-controlled pulse-width-modulation (PWM) dimming and hybrid dimming. In either case, the minimum pulse width is 500ns. Phase-shifted dimming of the strings is incorporated for lower EMI.

Comprehensive diagnostic information is available through the I<sup>2</sup>C interface to ease integration in systems requiring ASIL B compliance.

The MAX25024 is available in a 24-pin TQFN or 24-pin side-wettable TQFN (SWTQFN) package and operates over the -40°C to +125°C temperature range.

### Applications

- Instrument Clusters
- Central Information Displays
- Infotainment Displays

### Benefits and Features

- Wide Voltage-Range Operation
  - Operates Down to 2.5V Supply After Startup
  - Survives Load Dumps Up to 40V
- High Integration
  - Complete 4-Channel Solution Including Boost Controller
  - I<sup>2</sup>C Control for Minimum Parts Count
- Robust and Low EMI
  - Spread-Spectrum Oscillator
  - Phase Shifting
  - 400kHz to 2.2MHz Switching-Frequency Range
  - nMOS Input Protection Switch
- Multiple Features for ASIL B Systems
  - LED-Current Measurement
  - Boost Input Current Measurement
  - Boost Output Voltage Measurement
  - LED Open/Short Detection and Protection
  - Boost Output Undervoltage and Overvoltage
- Versatile Dimming Scheme Allows Hybrid or PWM-Only Dimming Using DIM Input or I<sup>2</sup>C
  - Dimming Ratio > 10,000:1 Using Hybrid Dimming
  - 10,000:1 Dimming Ratio at 200Hz Using PWM Dimming
- Compact (4mm x 4mm) 24-Pin TQFN and SWTQFN Packages

**Ordering Information appears at end of data sheet.**

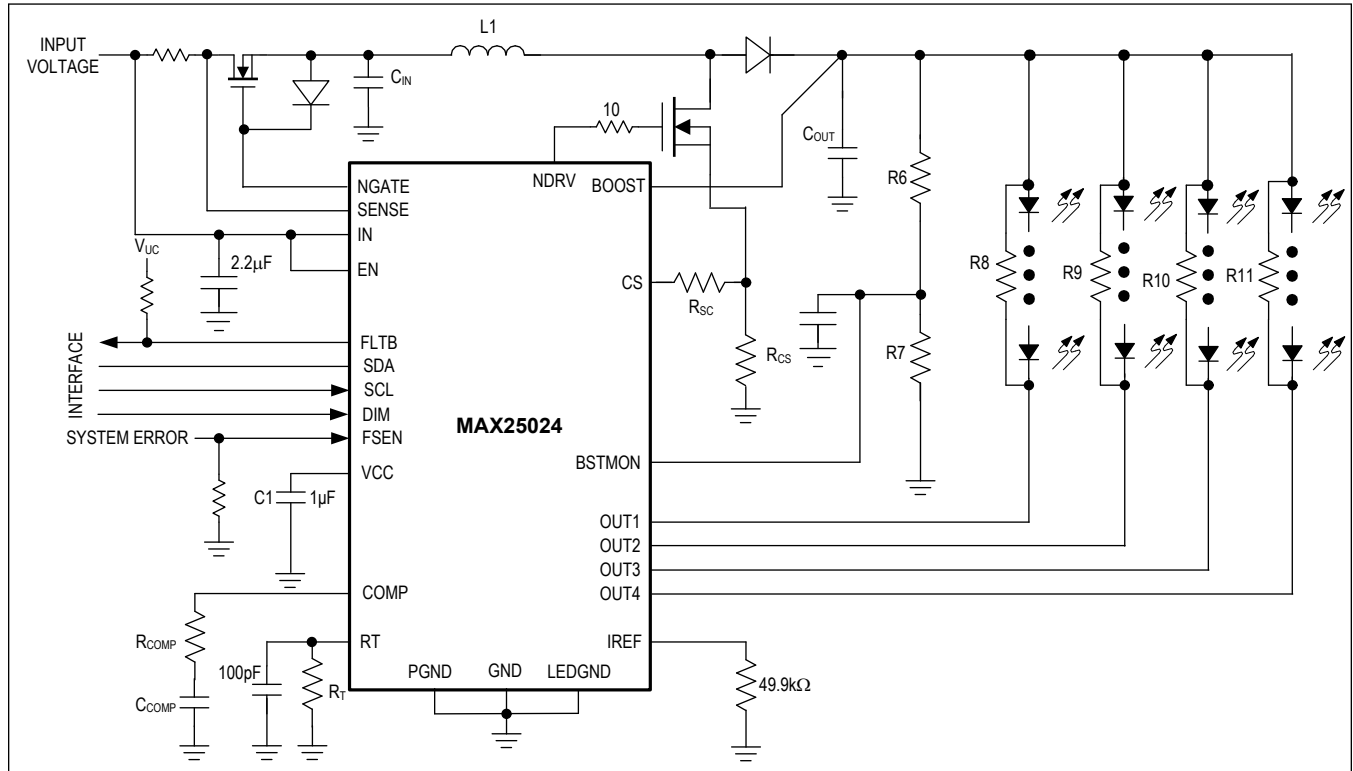
# ABRIDGED DATA SHEET

MAX25024

Automotive Low Input Voltage I<sup>2</sup>C 4-Channel  
150mA Backlight Driver supporting ASIL B

## Typical Application Circuits

### MAX25024 Applications Circuit



## Ordering Information

PART NUMBER	TEMPERATURE RANGE	PIN-PACKAGE
MAX25024ATG/V+	-40°C to +125°C	24 TQFN-EP*
MAX25024ATG/VY+	-40°C to +125°C	24 SWTQFN-EP*

+Denotes a lead(Pb)-free/RoHS-compliant package.

T = Tape and reel.

/V denotes an automotive qualified part.

Y = Side-wettable package.

EP\* = Exposed Pad

\*Future product—contact factory for availability.

## X-ON Electronics

Largest Supplier of Electrical and Electronic Components

*Click to view similar products for [LED Lighting Drivers](#) category:*

*Click to view products by [Maxim](#) manufacturer:*

Other Similar products are found below :

[LV5235V-MPB-H](#) [MB39C602PNF-G-JNEFE1](#) [MIC2871YMK-T5](#) [AL1676-10BS7-13](#) [AL1676-20AS7-13](#) [AP5726WUG-7](#) [MX877RTR](#)  
[ICL8201](#) [IS31BL3228B-UTLS2-TR](#) [IS31BL3506B-TTLS2-TR](#) [AL3157F-7](#) [AP5725FDCG-7](#) [AP5726FDCG-7](#) [LV52204MTTBG](#)  
[AP5725WUG-7](#) [STP4CMPQTR](#) [NCL30086BDR2G](#) [CAT4004BHU2-GT3](#) [LV52207AXA-VH](#) [AP1694AS-13](#) [TLE4242EJ](#) [AS3688](#)  
[IS31LT3172-GRLS4-TR](#) [TLD2311EL](#) [KTD2694EDQ-TR](#) [KTZ8864EJAA-TR](#) [IS32LT3174-GRLA3-TR](#) [ZXLD1374QESTTC](#) [MP2488DN-](#)  
[LF-Z](#) [NLM0010XTSA1](#) [AL1676-20BS7-13](#) [MPQ7220GF-AEC1-P](#) [MPQ4425BGJ-AEC1-P](#) [MPQ7220GF-AEC1-Z](#) [MPQ4425BGJ-AEC1-Z](#)  
[IS31FL3737B-QFLS4-TR](#) [IS31FL3239-QFLS4-TR](#) [KTD2058EUAC-TR](#) [KTD2037EWE-TR](#) [DIO5662ST6](#) [IS31BL3508A-TTLS2-TR](#)  
[MAX20052CATC/V+](#) [MAX25606AUP/V+](#) [BD6586MUV-E2](#) [BD9206EFV-E2](#) [BD9416FS-E2](#) [LYT4227E](#) [LYT6079C-TL](#) [MP3394SGF-P](#)  
[MP4689AGN-P](#)