

## MAX25301A/MAX25301B

## 1A Automotive Low-Noise LDO Linear Regulator

### General Description

The MAX25301A/B are low-noise automotive linear regulators that deliver up to 1A of output current with only 7 $\mu$ V<sub>RMS</sub> of output noise from 10Hz to 100kHz.

These regulators maintain  $\pm 1\%$  output accuracy over a wide input-voltage range, requiring only 100mV of input-to-output headroom at full load. The 1200 $\mu$ A no-load supply current is independent of dropout voltage.

The MAX25301A has nine pin-selectable output voltages: 1.2V, 1.5V, 1.8V, 2.5V, 3.0V, 3.1V, 3.3V, 4.0V, and 5V. The MAX25301B output voltage can be adjusted to a value in the range of 0.6V to 5.3V using two external resistors. The MAX25301B also includes an active-high POK signal for trouble-free load startup.

All versions include a programmable output soft-start rate as well as output-overcurrent and thermal-overload protection.

The MAX25301A/B are offered in a 10-pin TDFN (3mm x 3mm) package.

### Applications

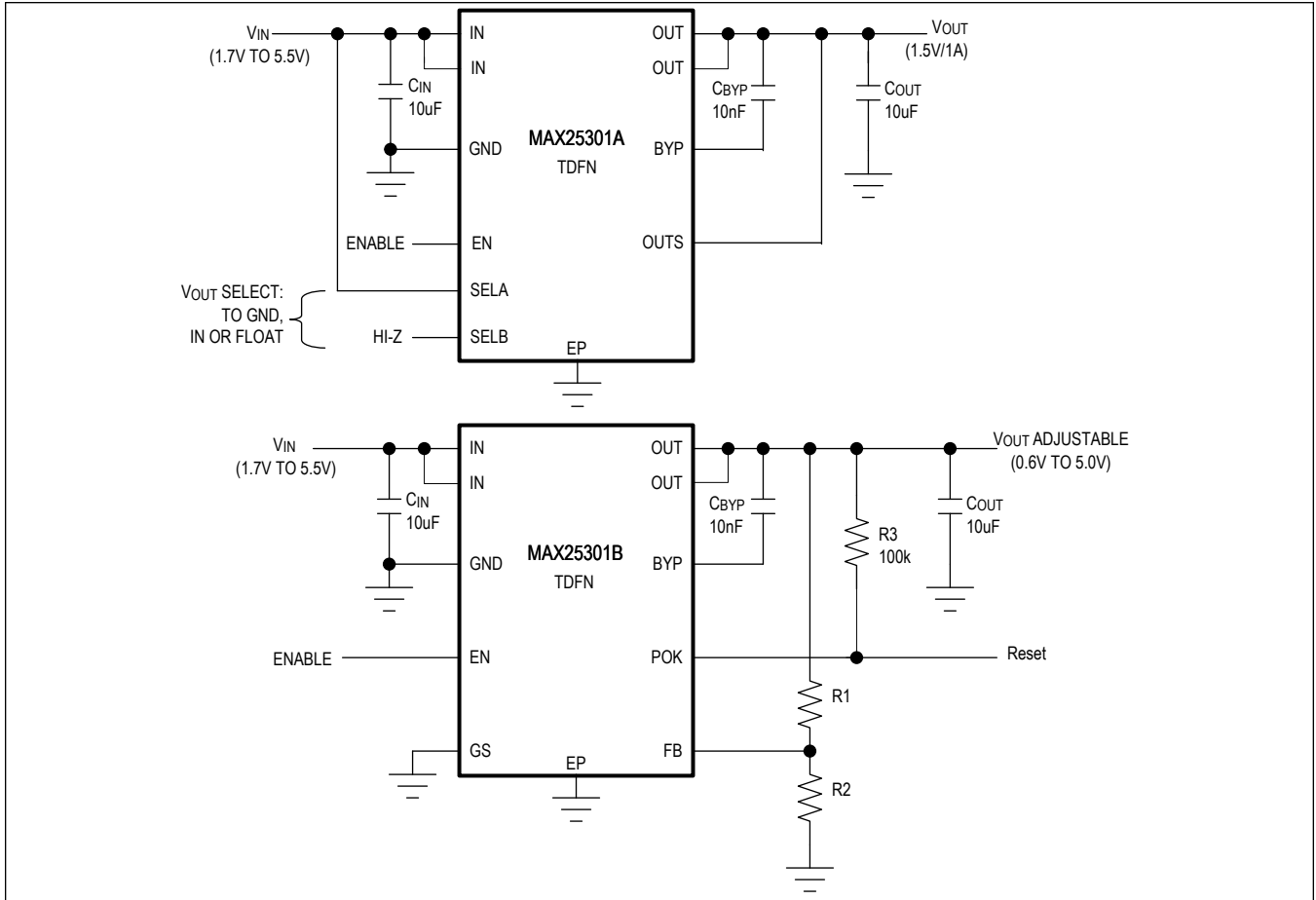
- Automotive Electronics
- Audio Systems
- High-Resolution Data Acquisition Systems

### Benefits and Features

- 1.7V to 5.5V Input Voltage Range
- 0.6V to 5.3V Programmable Output Voltage
- 7 $\mu$ V<sub>RMS</sub> Output Noise, 10Hz to 100kHz
- 1200 $\mu$ A Operating Supply Current
- 70dB PSRR at 10kHz
- 1A Maximum Output Current
- $\pm 1\%$  DC Accuracy Over Load, Line, and Temperature
- 100mV Maximum Dropout at 1A Load
- <1 $\mu$ A Shutdown Supply Current
- Stable with 4 $\mu$ F(min) Output Capacitance
- Programmable Soft-Start Rate
- Overcurrent and Overtemperature Protection
- Output-to-Input Reverse-Current Protection
- Power-OK Output
- 3mm x 3mm 10-pin TDFN Package
- AEC-Q100
- -40°C to 125°C Operating Temperature

*Ordering Information appears at end of datasheet.*

Typical Operating Circuits



---

**TABLE OF CONTENTS**

---

General Description . . . . .	1
Applications . . . . .	1
Benefits and Features . . . . .	1
Typical Operating Circuits . . . . .	2
Absolute Maximum Ratings . . . . .	5
Package Information . . . . .	5
TDFN . . . . .	5
Electrical Characteristics . . . . .	5
Typical Operating Characteristics . . . . .	7
Pin Configurations . . . . .	8
MAX25301A . . . . .	8
MAX25301B . . . . .	9
Pin Description . . . . .	9
Functional Diagrams . . . . .	11
Simplified Functional Diagram . . . . .	11
Detailed Description . . . . .	12
Enable (EN) . . . . .	12
Bypass (BYP) . . . . .	12
Protection Features . . . . .	12
Output Voltage Configuration (MAX25301A) . . . . .	12
Output Voltage Configuration (MAX25301B) . . . . .	13
Power-OK (MAX25301B) . . . . .	13
Input Capacitor . . . . .	13
Output Capacitor . . . . .	13
Thermal Considerations . . . . .	13
Typical Application Circuits . . . . .	14
Typical Application Circuits . . . . .	14
Ordering Information . . . . .	14
Revision History . . . . .	15

---

**LIST OF TABLES**

---

Table 1. MAX25301A Output Configuration ..... 13

## Absolute Maximum Ratings

IN, EN, POK, RSEL, BYP to GND .....	-0.3V to +6V	Operating Temperature Range .....	-40°C to +125°C
FB, OUTS, SELA, SELB to GND .....	-0.3V to +6V	Maximum Junction Temperature .....	+150°C
OUT to GND .....	-0.3V to IN + 0.3V	Storage Temperature Range .....	-65°C to +150°C
Output Short-Circuit Duration .....	Continuous	Lead Temperature (Soldering, 10 seconds) .....	+300°C
Continuous Power Dissipation (TA = +70°C) .....		Soldering Temperature (reflow) .....	+260°C
TDFN (derate 24.4mW/°C above 70°C) .....	1951mW		

Stresses beyond those listed under "Absolute Maximum Ratings" may cause permanent damage to the device. These are stress ratings only, and functional operation of the device at these or any other conditions beyond those indicated in the operational sections of the specifications is not implied. Exposure to absolute maximum rating conditions for extended periods may affect device reliability.

## Package Information

### TDFN

Package Code	T1033+1C
Outline Number	<a href="#">21-0137</a>
Land Pattern Number	<a href="#">90-0003</a>
<b>Thermal Resistance, Single-Layer Board:</b>	
Junction to Ambient ( $\theta_{JA}$ )	54°C/W
Junction to Case ( $\theta_{JC}$ )	9°C/W
<b>Thermal Resistance, Four-Layer Board:</b>	
Junction to Ambient ( $\theta_{JA}$ )	41°C/W
Junction to Case ( $\theta_{JC}$ )	9°C/W

For the latest package outline information and land patterns (footprints), go to [www.maximintegrated.com/packages](http://www.maximintegrated.com/packages). Note that a "+", "#", or "-" in the package code indicates RoHS status only. Package drawings may show a different suffix character, but the drawing pertains to the package regardless of RoHS status.

Package thermal resistances were obtained using the method described in JEDEC specification JESD51-7, using a four-layer board. For detailed information on package thermal considerations, refer to [www.maximintegrated.com/thermal-tutorial](http://www.maximintegrated.com/thermal-tutorial).

## Electrical Characteristics

( $V_{IN} = 3.6V$ ,  $T_J = -40^\circ C$  to  $+125^\circ C$ ,  $C_{BYP} = 0.047\mu F$ ,  $C_{IN} = 10\mu F$ ,  $C_{OUT} = 10\mu F$ ,  $I_{OUT} = 100mA$ , unless otherwise specified. Note 1.)

PARAMETER	SYMBOL	CONDITIONS	MIN	TYP	MAX	UNITS
Input Voltage Range	$V_{IN}$	Guaranteed by output accuracy	1.7		5.5	V
Input Undervoltage Lockout	$V_{IN\_UVLO}$	$V_{IN}$ rising, 100mV hysteresis	1.5	1.6	1.7	V
Output Voltage Range	$V_{OUT}$	$V_{IN} > V_{OUT} + 0.1V$	0.6		5.3	V
Output Capacitance	$C_{OUT}$	For stability and proper operation	4	10		$\mu F$
Supply Current	$I_Q$	$I_{OUT} = 0mA$		1200	2000	$\mu A$
	$I_{SHUTDOWN}$	$V_{EN} = 0V$	$T_J = +25^\circ C$		0.01	
			$T_J = +125^\circ C$		0.1	
Output Accuracy (MAX25301A Only)	ACC25301A	$I_{OUT}$ from 0.1mA to 1A, $V_{IN}$ from $V_{OUT} + 0.3V$ to 5.5V, $V_{IN} > 1.7V$	-1.0		1.0	%
Output Accuracy (MAX25301B Only)	ACC25301B	$I_{OUT}$ from 0.1mA to 1A, $V_{IN}$ from $V_{OUT} + 0.3V$ to 5.5V, $V_{IN} > 1.7V$	0.594	0.6	0.606	V
Load Regulation		$I_{OUT}$ from 0.1mA to 1A		0.02		%/V
Load Transient		$I_{OUT} = 50mA$ to 1A to 50mA, $t_{RISE} = t_{FALL} = 1\mu s$		50		mV

### Electrical Characteristics (continued)

( $V_{IN} = 3.6V$ ,  $T_J = -40^{\circ}C$  to  $+125^{\circ}C$ ,  $C_{BYP} = 0.047\mu F$ ,  $C_{IN} = 10\mu F$ ,  $C_{OUT} = 10\mu F$ ,  $I_{OUT} = 100mA$ , unless otherwise specified. Note 1.)

PARAMETER	SYMBOL	CONDITIONS		MIN	TYP	MAX	UNITS
Line Regulation		$V_{IN}$ from $V_{OUT} + 0.3V$ to $5.5V$ , $V_{IN} > 1.7V$			0.05		%/V
Line Transient		$V_{IN} = 4V$ to $5V$ to $4V$ , $I_{OUT} = 1A$ , $t_{RISE} = t_{FALL} = 5\mu s$			3		mV
Dropout Voltage (Note 2)		$I_{OUT} = 1A$	$V_{IN} = 3.6V$		50	100	mV
			$V_{IN} = 2.5V$ (Note 3)		80	160	
			$V_{IN} = 1.7V$		150	300	
Current Limit		$V_{OUT} = 95\%$ of regulation		1.15	1.4	1.6	A
Output Noise		$I_{OUT} = 100mA$ , $f = 10Hz$ to $100kHz$	$C_{BYP} = 47nF$		7		$\mu V_{RMS}$
Power Supply Rejection Ratio	PSRR	$I_{OUT} = 100mA$	$f = 1kHz$		70		dB
			$f = 10kHz$		70		
			$f = 100kHz$		60		
			$f = 1MHz$		40		
BYP Capacitor Range	$C_{BYP}$	Regulator remains stable		0.001		0.1	$\mu F$
BYP Soft-Start Current		From BYP to GND during startup			50		$\mu A$
EN Input Threshold		$V_{IN}$ from $1.7V$ to $5.5V$	EN rising		0.8	1.2	V
			EN falling	0.4	0.7		
EN Input Leakage Current		$V_{EN}$ from $1.7V$ to $5.5V$	$T_J = +25^{\circ}C$	-1	0.001	+1	$\mu A$
			$T_J = +125^{\circ}C$		0.01		
POK Threshold (MAX25301B Only)		$V_{OUT}$ when $\overline{POK}$ switches	$V_{OUT}$ rising	88	91	94	%
			$V_{OUT}$ falling		88		
POK Voltage, Low (MAX25301B Only)		$I_{POK} = 1mA$			10	100	mV
POK Leakage Current (MAX25301B Only)		$V_{POK} = 5.5V$	$T_J = +25^{\circ}C$	-0.1	0.001	+0.1	$\mu A$
			$T_J = +125^{\circ}C$		0.01		
SELA/B Input Resistance (MAX25301A Only)	$R_{INSELA/B}$	When shorted to GND or IN				500	$\Omega$
		When Hi-Z		1			$M\Omega$
SELA/B Input Capacitance (MAX25301A Only)	$C_{INSELA/B}$	When Hi-Z				10	pF
Input Reverse-Current Threshold		$V_{OUT} = 3.6V$ , when $V_{IN}$ falls to $0V$			400		mA
Thermal Shutdown Threshold		$T_J$ when output turns on/off	$T_J$ rising		165		$^{\circ}C$
			$T_J$ falling		150		

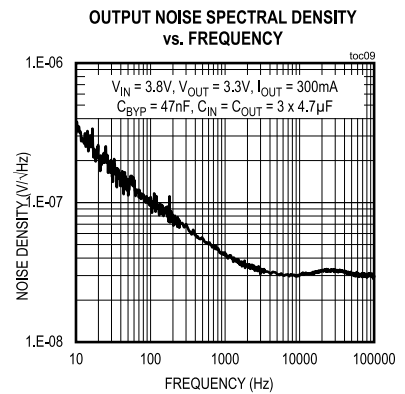
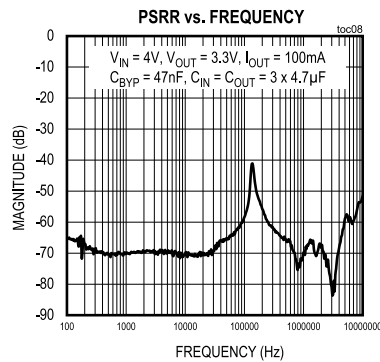
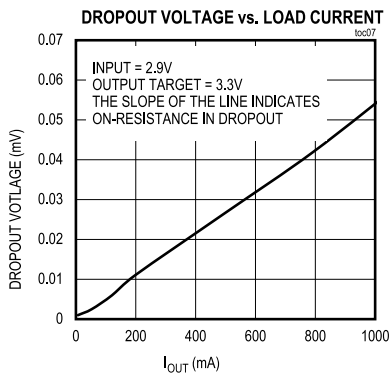
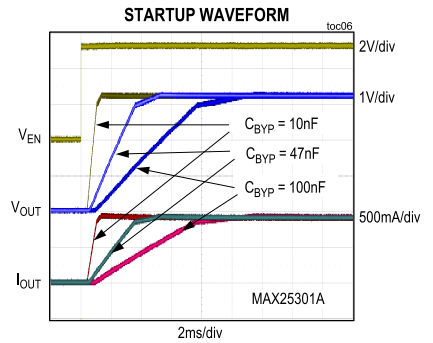
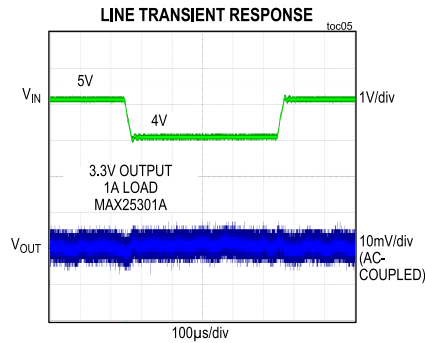
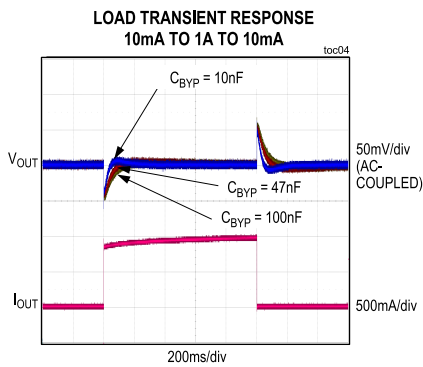
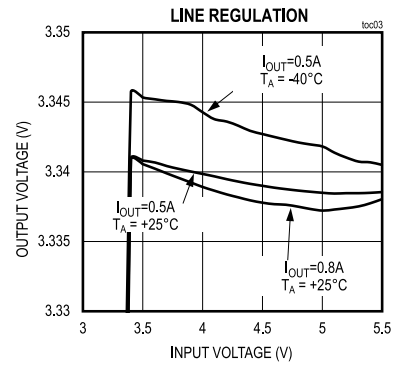
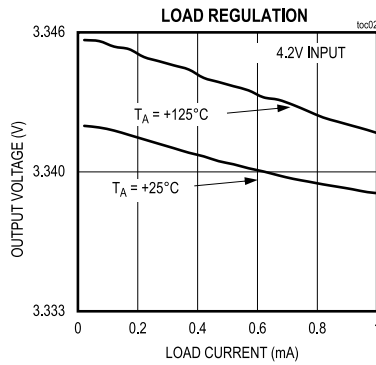
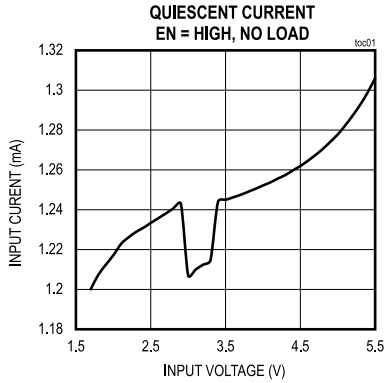
**Note 1:** Limits over the specified operating temperature and supply voltage range are guaranteed by design and characterization, and production tested at room temperature only.

**Note 2:** Dropout voltage is defined as  $(V_{IN} - V_{OUT})$ , when  $V_{IN} = V_{OUT(NOMINAL)} - 0.1V$ . For  $V_{OUT(NOMINAL)}$  less than  $1.7V$ , dropout voltage is not guaranteed.

**Note 3:** Guaranteed by design and characterization.

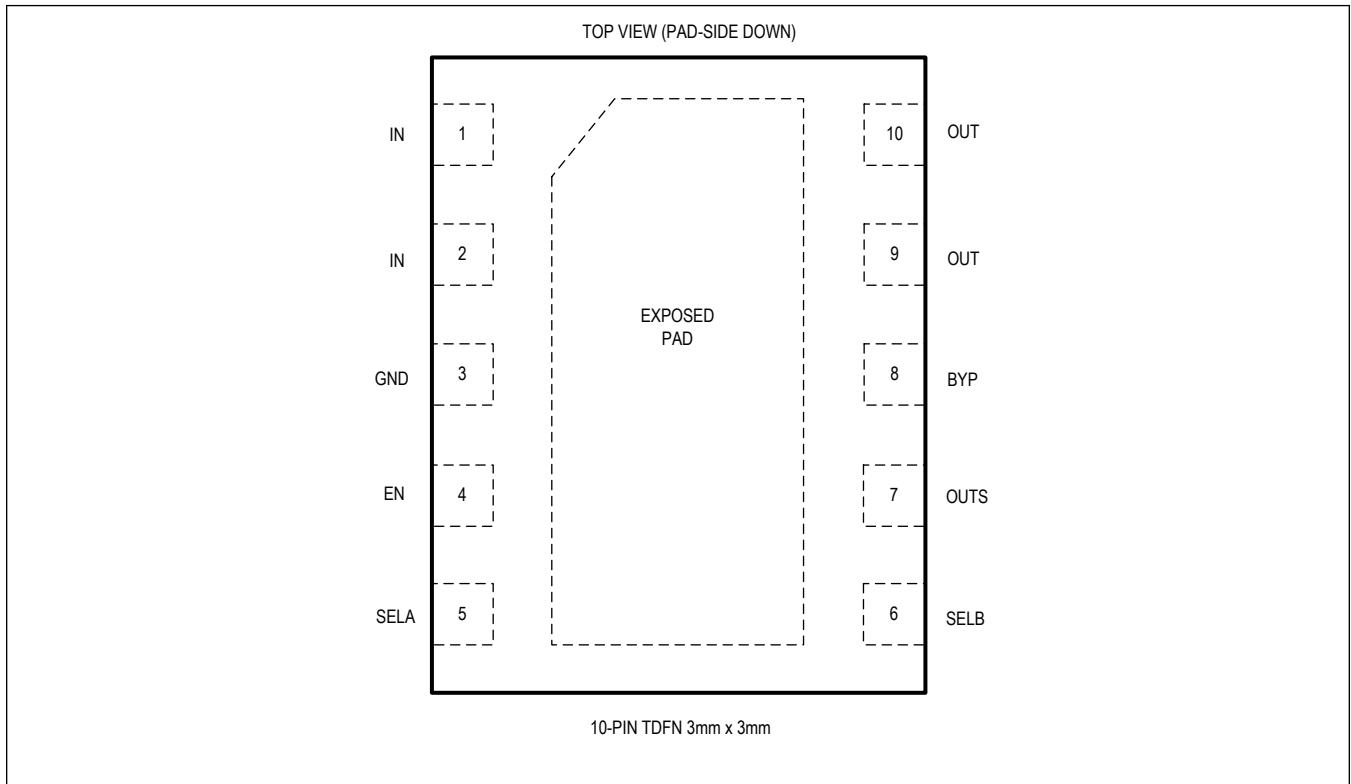
Typical Operating Characteristics

(MAX25301B,  $V_{IN} = 5.0V$ ,  $V_{OUT} = 3.3V$ ,  $T_A = 25^\circ C$ ,  $C_{IN} = 10\mu F$ ,  $C_{OUT} = 10\mu F$ , unless otherwise noted.)



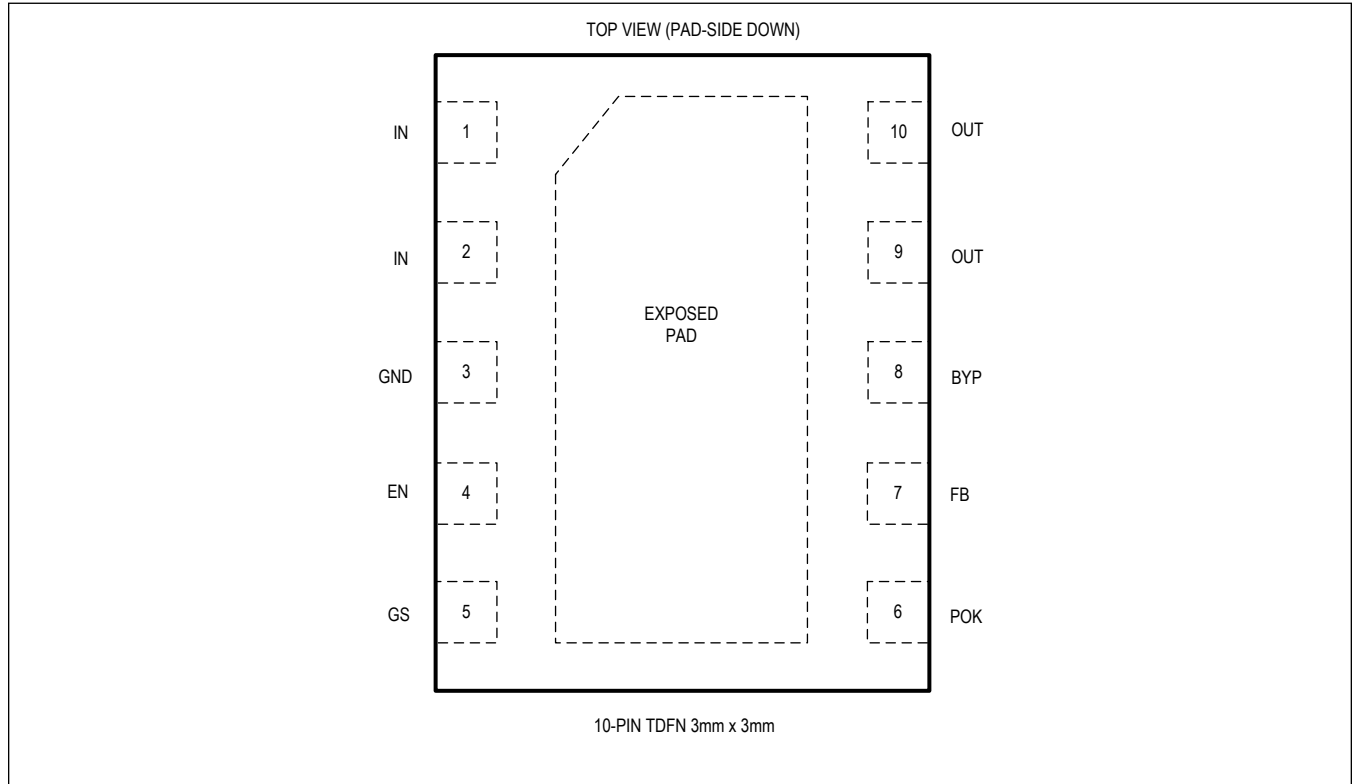
### Pin Configurations

#### MAX25301A





**MAX25301B**



**Pin Description**

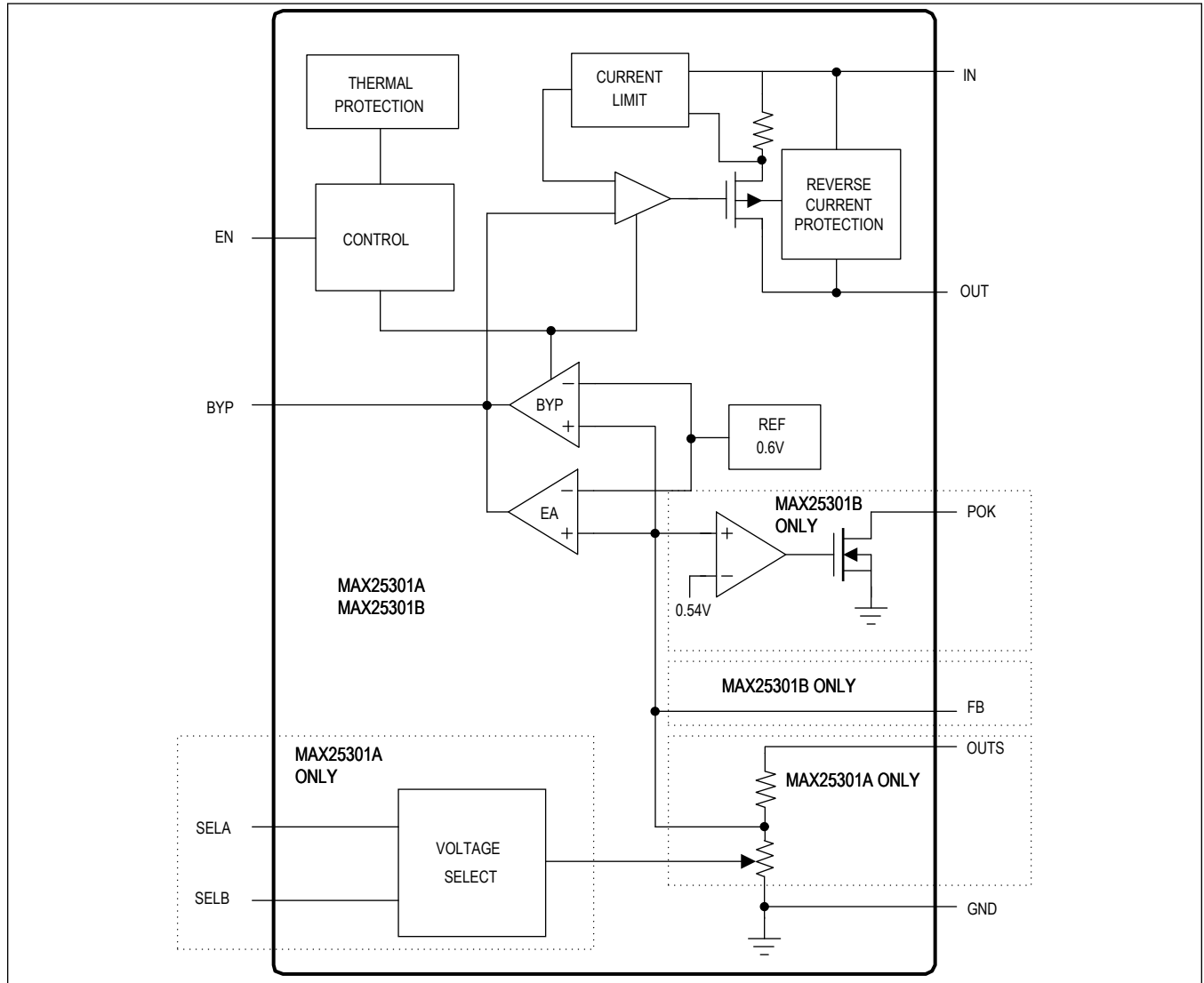
PIN		NAME	FUNCTION
MAX25301A	MAX25301B		
1, 2	1, 2	IN	Regulator Supply Input. Connect to a voltage between 1.7V and 5.5V and bypass with a 10µF capacitor from IN to GND.
3	3	GND	Regulator Ground. Connect IN and OUT bypass capacitor GND connections to this pin for best performance.
4	4	EN	Enable Input. Connect this pin to a logic signal to enable ( $V_{EN}$ high) or disable ( $V_{EN}$ low) the regulator output. Connect to IN to keep the output enabled whenever a valid supply voltage is present.
5	---	SELA	Select Input A. Connect to GND, IN, or leave unconnected to select the output voltage. This pin is read only at startup.
---	5	GS	Ground Sense. Connect GS to GND.
6	---	SELB	Select Input B. Connect to GND, IN, or leave unconnected to select the output voltage. This pin is read only at startup.
---	6	POK	Active-High Power-OK Output. Connect a pullup resistor from this pin to a supply to create a reset signal that goes high after the regulator output has reached its regulation voltage.
7	---	OUTS	Output Voltage Sense Input. Connect to the load at a point where accurate regulation is required to eliminate resistive metal drops.

## Pin Description (continued)

PIN		NAME	FUNCTION
MAX25301A	MAX25301B		
---	7	FB	Feedback Divider Input. Connect a resistor-divider string from OUT to GND with the midpoint tied to this pin to set the output voltage. In <a href="#">Typical Application Circuits</a> , $V_{OUT} = 0.6V \times (1 + R1/R2)$ .
8	8	BYP	Bypass Capacitor Input. Connect a capacitor with a value from 0.001 $\mu$ F to 0.1 $\mu$ F between OUT and BYP to reduce output noise and set the regulator soft-start rate.
9, 10	9, 10	OUT	Regulator Output. Sources up to 1A at the output regulation voltage. Bypass with a 10 $\mu$ F (4 $\mu$ F minimum including voltage derating) low-ESR (<0.03 $\Omega$ ) capacitor to GND.
EP	EP	EP	Exposed Pad (TDFN only). Connect the exposed pad to a ground plane with low thermal resistance to ambient to provide the best heat sinking.

Functional Diagrams

Simplified Functional Diagram



## Detailed Description

The MAX25301A/B low-noise linear regulators deliver up to 1A of output current with only  $7\mu\text{V}_{\text{RMS}}$  of output noise in a 10Hz to 100kHz bandwidth. These regulators maintain their output voltage over a wide input range, requiring only 100mV of input-to-output headroom at full load.

The MAX25301A/B maintain a low 1200 $\mu\text{A}$  typical supply current, independent of the load current and dropout voltage. The regulator control circuitry includes a programmable soft-start circuit, short-circuit, reverse input current, and thermal-overload protection. Other features include an enable input and power-OK (POK) output (MAX25301B only). See [Simplified Functional Diagram](#).

### Enable (EN)

The MAX25301A/B include an enable input (EN). Pull EN low to shut down the output, or drive EN high to enable the output. If a separate shutdown signal is not available, connect EN to IN.

### Bypass (BYP)

The capacitor connected from BYP to OUT filters the noise of the reference, feedback resistors, and regulator input stage, and provides a high-speed feedback path for improved transient response. A 0.01 $\mu\text{F}$  capacitor rolls off input noise at approximately 32Hz.

The slew rate of the output voltage during startup is also determined by the BYP capacitor. A 0.01 $\mu\text{F}$  capacitor sets the slew rate to 5V/ms. This startup rate results in a 50mA slew current drawn from the input at startup to charge the 10 $\mu\text{F}$  output capacitance.

The BYP capacitor value can be adjusted from 0.001 $\mu\text{F}$  to 0.1 $\mu\text{F}$  to change the startup slew rate according to the following formula:

$$\text{StartupSlewRate} = (5\text{V} / \text{ms}) \times (0.01 \mu\text{F} / C_{\text{BYP}})$$

where  $C_{\text{BYP}}$  is in  $\mu\text{F}$ .

Note that this slew rate applies only at startup. Recovery from a short-circuit will occur at a slew rate approximately 500 times slower.

Also note that, being a low-frequency filter node, BYP is sensitive to leakage. BYP leakage currents above 10nA cause measurable inaccuracy at the output and should be avoided.

### Protection Features

The MAX25301A/B are fully protected from an output short circuit by a current-limiting and thermal-overload circuit. If the output is shorted to GND, the output current is limited to 1.4A (typ). Under these conditions, the part quickly heats up. When the junction temperature reaches 165°C, a thermal limit circuit shuts off the output device. When the junction cools to 150°C, the output turns back on in an attempt to re-establish regulation. While the fault persists, the output current cycles on and off as the junction temperature slews between 150°C and 165°C.

The MAX25301A/B are also protected against reverse current when the output voltage is higher than the input. In the event that extra output capacitance is used at the output, a power-down transient at the input would normally cause a large reverse current through a conventional regulator. The MAX25301A/B include a reverse-voltage detector that trips when IN drops 10mV below OUT, shutting off the regulator and opening the pMOS body diode connection, preventing any reverse current. Once the reverse voltage is removed, the output will start up again.

### Output Voltage Configuration (MAX25301A)

The MAX25301A output can be set to one of nine voltages by shorting or opening the SELA and SELB inputs, as shown in [Table 1](#). SELA and SELB should be connected to GND, IN, or left unconnected. Alternatively, they may be driven high, low, or open with external logic. However, the states of SELA and SELB are sampled only at startup. The regulation voltage can be set to a different level by cycling EN or IN momentarily to GND.

**Table 1. MAX25301A Output Configuration**

V <sub>OUT</sub> (V)	SELA STATE	SELB STATE
1.2	Unconnected	IN
1.5	IN	Unconnected
1.8	Unconnected	GND
2.5	Unconnected	Unconnected
3.0	GND	GND
3.1	GND	IN
3.3	GND	Unconnected
4.0	IN	GND
5.0	IN	IN

**Output Voltage Configuration (MAX25301B)**

The MAX25301B uses external feedback resistors to set the output regulation voltage as shown in the Typical Operating Circuit. The output can be set from 0.6V to 5.3V. Set the lower feedback resistor R2 to 300kΩ or less to minimize FB input bias current error. Then calculate the value of the upper feedback resistor R1 as follows:

$$R1 = R2 \times \left( \frac{V_{OUT}}{V_{FB}} - 1 \right)$$

where V<sub>FB</sub> is the feedback regulation voltage of 0.6V. To set the output voltage to 2.5V, for example, R1 should be as follows:

$$R1 = 300k\Omega \times \left( \frac{2.5V}{0.6V} - 1 \right) = 950k\Omega$$

**Power-OK (MAX25301B)**

The MAX25301B includes an additional open-drain output, POK, that goes high to indicate the output voltage is in regulation. Connect a pullup resistor from this pin to an external supply. During startup, POK stays low until the output voltage rises to 91%(typ) of its regulation level. If an overload occurs at the output, or the output is shutdown, POK goes low.

**Input Capacitor**

A 10μF ceramic capacitor is recommended for the input. Select a capacitor that does not degrade significantly over temperature and DC bias. Capacitors with X5R or X7R temperature characteristics generally perform well.

**Output Capacitor**

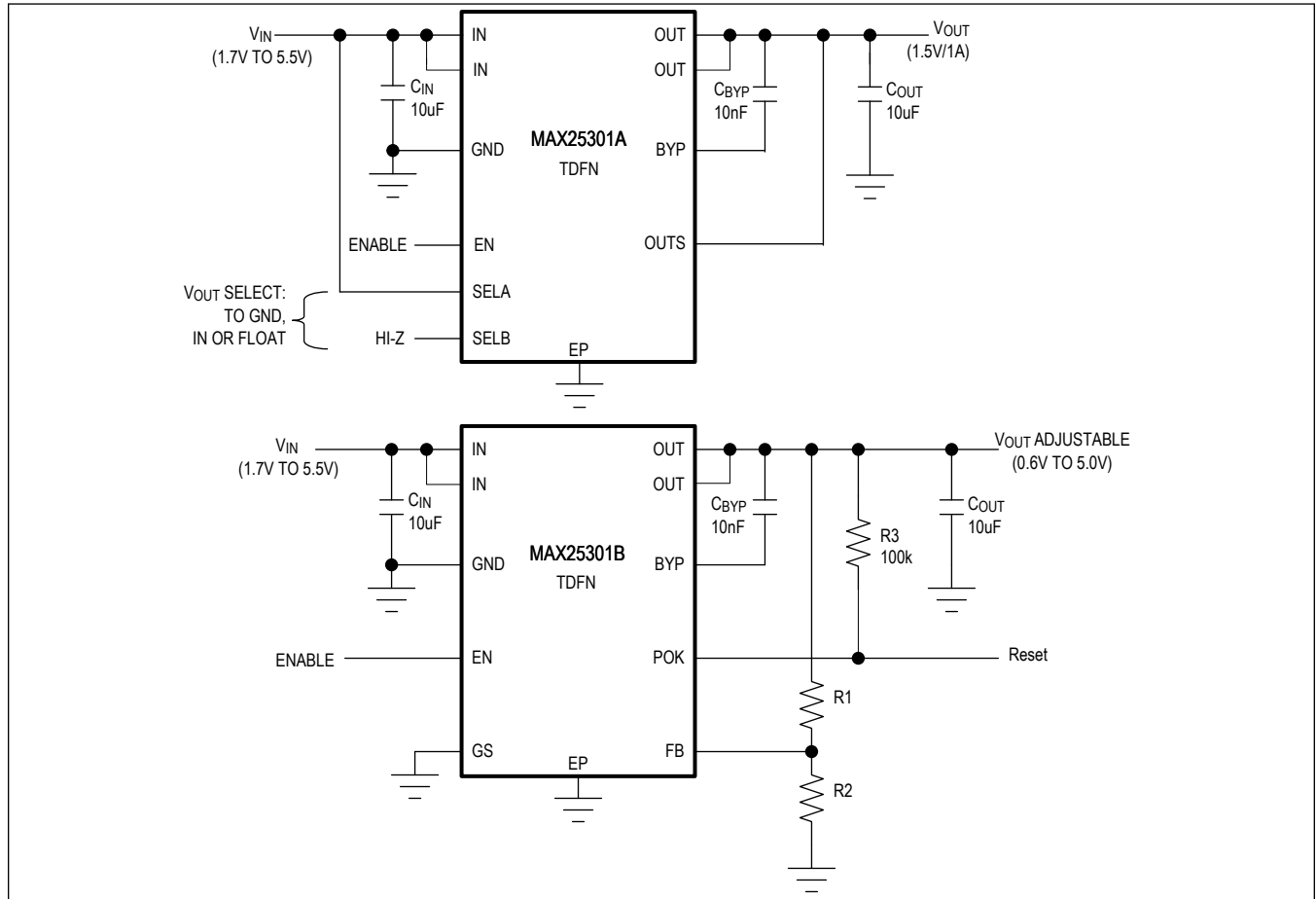
A minimum of 4μF capacitance is required at OUT to ensure stability. Select a ceramic capacitor that maintains its capacitance (4μF minimum) over temperature and DC bias. Capacitors with X5R or X7R temperature characteristics generally perform well.

**Thermal Considerations**

The MAX25301A/B is packaged in an 10-pin 3mm x 3mm TDFN package with an exposed paddle. The exposed paddle is the main path for heat to leave the IC, and therefore must be connected to a ground plane with thermal vias to allow heat to dissipate from the device. Thermal properties of the IC package are given in the [Package Information](#) section.

Typical Application Circuits

Typical Application Circuits



Ordering Information

PART NUMBER	TEMPERATURE RANGE	PIN-PACKAGE	FEATURES
MAX25301AATB/V+	-40°C to +125°C	10-pin TDFN 3mm x 3mm	Nine Selectable Output Voltages, Enable, Reset Output
MAX25301BATB/V+	-40°C to +125°C	10-pin TDFN 3mm x 3mm	Resistor-Configurable Output Voltage, Enable, Reset Output

*V* Denotes an automotive qualified part.

+Denotes a lead(Pb)-free/RoHS-compliant package.

## Revision History

REVISION NUMBER	REVISION DATE	DESCRIPTION	PAGES CHANGED
0	6/20	Initial release	—

For pricing, delivery, and ordering information, please visit Maxim Integrated's online storefront at <https://www.maximintegrated.com/en/storefront/storefront.html>.

*Maxim Integrated cannot assume responsibility for use of any circuitry other than circuitry entirely embodied in a Maxim Integrated product. No circuit patent licenses are implied. Maxim Integrated reserves the right to change the circuitry and specifications without notice at any time. The parametric values (min and max limits) shown in the Electrical Characteristics table are guaranteed. Other parametric values quoted in this data sheet are provided for guidance.*

## X-ON Electronics

Largest Supplier of Electrical and Electronic Components

*Click to view similar products for [LDO Voltage Regulators](#) category:*

*Click to view products by [Maxim](#) manufacturer:*

Other Similar products are found below :

[AP7363-SP-13](#) [L79M05TL-E](#) [PT7M8202B12TA5EX](#) [TCR3DF185,LM\(CT](#) [TCR3DF24,LM\(CT](#) [TCR3DF285,LM\(CT](#) [TCR3DF31,LM\(CT](#)  
[TCR3DF45,LM\(CT](#) [MP2013GQ-33-Z](#) [059985X](#) [NCP4687DH15T1G](#) [701326R](#) [TCR2EN28,LF\(S](#) [NCV8170AXV250T2G](#)  
[TCR3DF27,LM\(CT](#) [TCR3DF19,LM\(CT](#) [TCR3DF125,LM\(CT](#) [TCR2EN18,LF\(S](#) [AP7315-25W5-7](#) [IFX30081LDVGRNXUMA1](#)  
[NCV47411PAAJR2G](#) [AP2113KTR-G1](#) [AP2111H-1.2TRG1](#) [ZLDO1117QK50TC](#) [AZ1117IH-1.8TRG1](#) [TCR3DG12,LF](#) [MIC5514-3.3YMT-](#)  
[T5](#) [MIC5512-1.2YMT-T5](#) [MIC5317-2.8YM5-T5](#) [SCD7912BTG](#) [NCP154MX180270TAG](#) [SCD33269T-5.0G](#) [NCV8170BMX330TCG](#)  
[NCV8170AMX120TCG](#) [NCP706ABMX300TAG](#) [NCP153MX330180TCG](#) [NCP114BMX075TCG](#) [MC33269T-3.5G](#) [CAT6243-ADJCMT5T](#)  
[TCR3DG33,LF](#) [AP2127N-1.0TRG1](#) [TCR4DG35,LF](#) [LT1117CST-3.3](#) [LT1117CST-5](#) [TAR5S15U\(TE85L,F\)](#) [TAR5S18U\(TE85L,F\)](#)  
[TCR3UG19A,LF](#) [TCR4DG105,LF](#) [NCV8170AMX360TCG](#) [MIC94310-NYMT-T5](#)