



MAX2659 Evaluation Kit

General Description

The MAX2659 evaluation kit (EV kit) simplifies evaluation of the MAX2659 GPS/GNSS low-noise amplifier (LNA). The MAX2659 high-gain, LNA is designed for GPS, Galileo, and GLONASS applications. The EV kit enables testing of the device's performance and requires no additional support circuitry. The MAX2659 EV kit is fully assembled with the MAX2659 IC on-board and incorporates input matching components to optimize performance. The EV kit's signal inputs and outputs use SMA connectors to facilitate the connection of RF test equipment.

Features

- ◆ Easy Evaluation of the MAX2659 IC
- ◆ 1.6V to 3.3V Single-Supply Operation
- ◆ RF Input and Output Matched to 50Ω
- ◆ Jumper Included for Shutdown Setting
- ◆ Fully Assembled and Tested

Ordering Information

PART	TEMP RANGE	IC PACKAGE
MAX2659EVKIT+	-40°C to +85°C	6 μDFN

+Denotes a lead-free and RoHS-compliant EV kit.

Component List

DESIGNATION	QTY	DESCRIPTION
C1	1	470pF ±10% ceramic capacitor (0402) Murata GRM155R71H471K
C2, C4	2	39pF ±5% capacitors (0402) Murata GRM1555C1H390J
C3, C5	2	0.033μF ±10% ceramic capacitors (0402) Murata GRM155R71A333K
C6	1	10μF ±10% tantalum capacitor (C case) AVX TAJC106K016
C7	1	0.01μF ±10% ceramic capacitor (0402) Murata GRM155R71C103K
JU1	1	1 x 3-pin header, 3in inline header, 100-mil centers Sullins PEC36SAAN

DESIGNATION	QTY	DESCRIPTION
JU2, JU3	2	PC mini-red test points Keystone 5000
L1	1	6.8nH ±5% inductor (0402) Murata LQW15AN6N8H00
P1, P2	2	SMA edge-mount connectors, round contact Johnson 142-0701-801
P3	0	Not installed
R1, R2	2	0Ω ±5% resistors (0402)
R4	1	10kΩ ±5% resistor (0402)
U1	1	MAX2659ELT+ GPS LNA (6-pin μDFN, 1.5mm x 1mm x 0.75mm)
—	1	PCB: MAX2659 Evaluation Kit+

Component Suppliers

SUPPLIER	PHONE	WEBSITE
AVX Corp.	843-946-0238	www.avxcorp.com
Murata Mfg. Co., Ltd.	770-436-1300	www.murata.com

Note: Indicate that you are using the MAX2659 when contacting these component suppliers.

Evaluates: MAX2659

MAX2659 Evaluation Kit

Quick Start

Required Equipment

- An RF signal generator capable of delivering RF power as high as 0dBm at the 1575.42MHz operating frequency, such as the HPE4433B or equivalent
- An RF spectrum analyzer that covers the MAX2659 operating frequency range, as well as a few harmonics, such as the FSEB20 or equivalent
- One DC power supply capable of up to 50mA at 1.6V to 3.3V
- Power meter capable of measuring up to 0dBm
- One ammeter to measure the supply current (optional)
- A noise figure meter (optional)
- A network analyzer for measuring gain and return loss (optional)

Connections and Setup

The MAX2659 EV kit is fully assembled and tested. Follow the steps below for a step-by-step guide to operating the EV kit and testing the device functions. Connect pin 1 to pin 2 of JP1 to enable the device. **Caution: Do not turn on the DC power or RF signal generators until all connections are completed.**

- 1) Connect a DC supply set to +2.85V to the VCC and GND terminals (through an ammeter, if desired) on the EV kit. Do not turn on the supply.

- 2) Connect the RF signal generator to the RFIN SMA connector. Do not turn on the generator's output. Set the output of the RF signal generator to 1575.42MHz and power level to -40dBm.
- 3) Connect a spectrum analyzer to the RFOUT SMA connector. Set the center frequency to 1575.42MHz, reference level to 0dBm, and span to 1MHz.
- 4) Turn on the DC power supply. The supply current should read approximately 4.1mA.
- 5) Enable the RF generator's output. The spectrum analyzer displays a tone at 1575.42MHz at approximately -20dBm.

Layout Issues

A good printed-circuit board (PCB) is an essential part of RF circuit design. The EV kit PCB can serve as a guide for laying out a board using the MAX2659. Use controlled impedance lines on all high-frequency inputs and outputs. Bypass VCC with decoupling capacitors located close to the device. For long VCC lines, it may be necessary to add decoupling capacitors. Locate these additional capacitors farther away from the device package. This minimizes supply coupling. Proper grounding of the GND pins is essential. Connect the GND pins to the ground plane either directly, or through vias, or both.

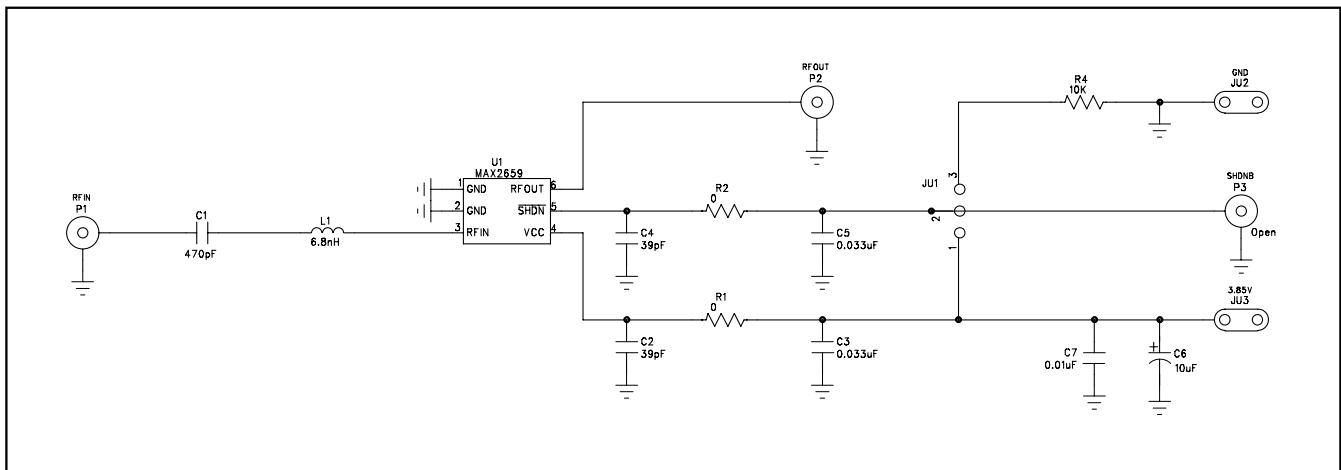


Figure 1. MAX2659 EV Kit Schematic

MAX2659 Evaluation Kit

Evaluates: MAX2659

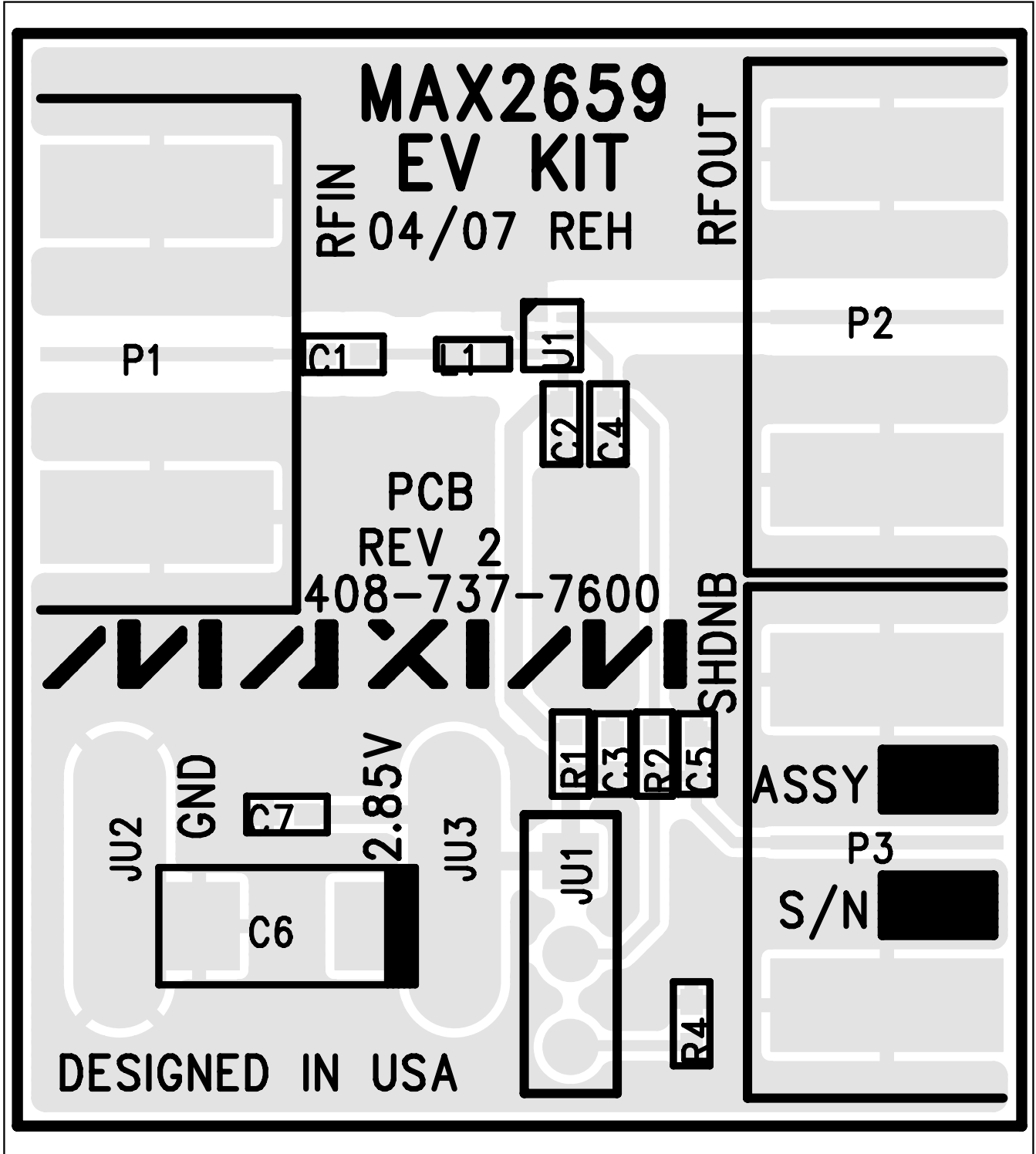


Figure 2. MAX2659 EV Kit Component Replacement Guide—Component Side

MAX2659 Evaluation Kit

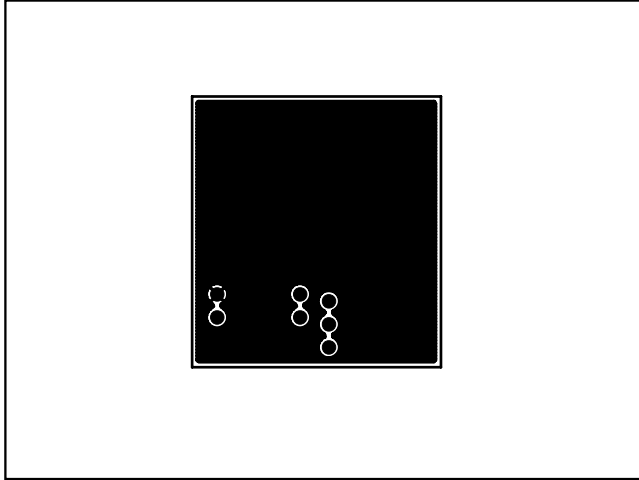


Figure 3. MAX2659 EV Kit PCB Layout—Layer 2

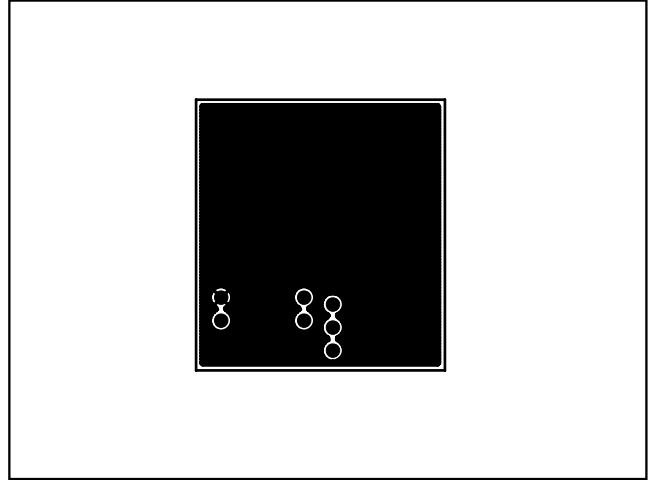


Figure 4. MAX2659 EV Kit PCB Layout—Layer 3

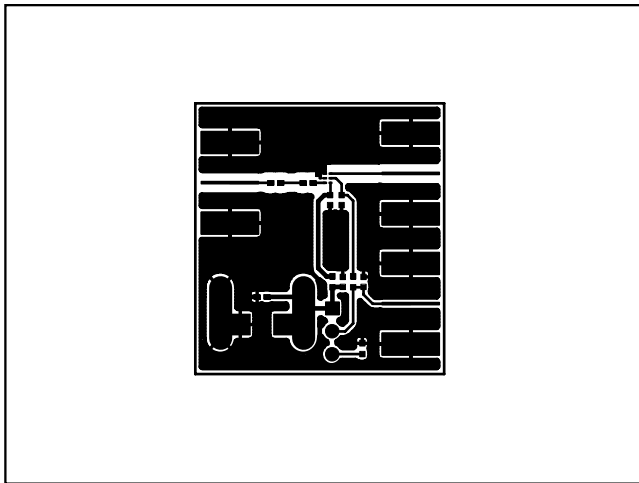


Figure 5. MAX2659 EV Kit PCB Layout—Component Side

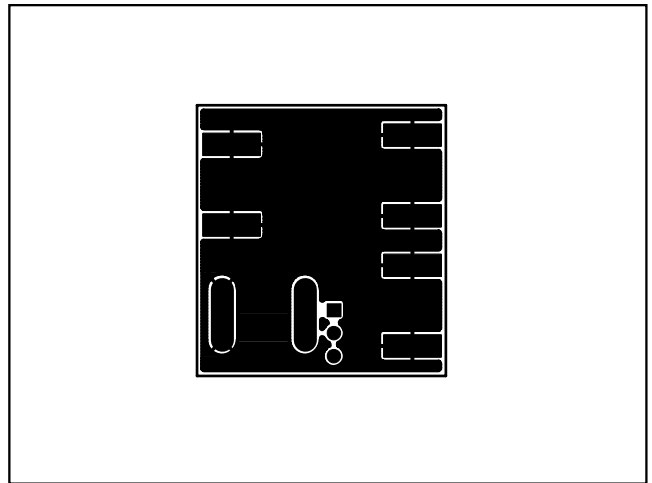


Figure 6. MAX2659 EV Kit PCB Layout—Secondary Side

Maxim cannot assume responsibility for use of any circuitry other than circuitry entirely embodied in a Maxim product. No circuit patent licenses are implied. Maxim reserves the right to change the circuitry and specifications without notice at any time.

4 **Maxim Integrated Products, 120 San Gabriel Drive, Sunnyvale, CA 94086 408-737-7600**

X-ON Electronics

Largest Supplier of Electrical and Electronic Components

Click to view similar products for [GPS Development Tools](#) category:

Click to view products by [Maxim](#) manufacturer:

Other Similar products are found below :

[A9G](#) [SKY65725-11EK1](#) [SKY65728-11EK1](#) [TAU1201-EVK-A00](#) [1059](#) [1090](#) [1272](#) [MDEV-GNSS-TM](#) [TEL0051](#) [M20050-EVB-1](#) [GPS-14414](#) [SIM808](#) [EVK-M8BZOE-0](#) [EVK-M8N-0](#) [EVK-M8U](#) [SIM868](#) [746](#) [2324](#) [4279](#) [4415](#) [M10578-A2-U1](#) [ASX00017](#) [AS-RTK2B-F9P-L1L2-NH-02](#) [AS-RTK2B-LIT-L1L2-SMA-00](#) [AS-STARTKIT-BASIC-L1L2-NH-02](#) [AS-STARTKIT-LITE-L1L2-HS-00](#) [AS-STARTKIT-LR-L1L2-EUNH-00](#) [AS-STARTKIT-LR-L1L2-NANH-00](#) [AS-STARTKIT-MCPIE-L1L2-0-00](#) [AS-STARTKIT-MR-L1L2-NH-00](#) [EA-ACC-023](#) [A2235HB04](#) [M5310A-MBR](#) [M5312](#) [EVA2035-H](#) [EVA2100-A](#) [EVA2200-A](#) [MAX2669EVKIT+](#) [MIKROE-3660](#) [MIKROE-4673](#) [MIKROE-1032](#) [MIKROE-1714](#) [MIKROE-1850](#) [MIKROE-1887](#) [MIKROE-1895](#) [MIKROE-1912](#) [MIKROE-2382](#) [ML302](#) [MOD-GPS](#) [PIM525](#)