



Ultra-Low Leakage Monolithic CMOS Analog Multiplexers

MAX328/MAX329

General Description

The MAX328/MA329 are monolithic CMOS analog multiplexers. The MAX328 is a single-ended, 1-of-8 device, and the MAX329 is a differential, 2-of-8 device.

Designed to provide the lowest possible on- and off-leakages, these multiplexers switch signals from high source impedance, providing the mux operates into a high-input-impedance op amp or A/D converter. The MAX328/MAX329 are pin-for-pin replacements for the popular DG508/DG509 in these applications.

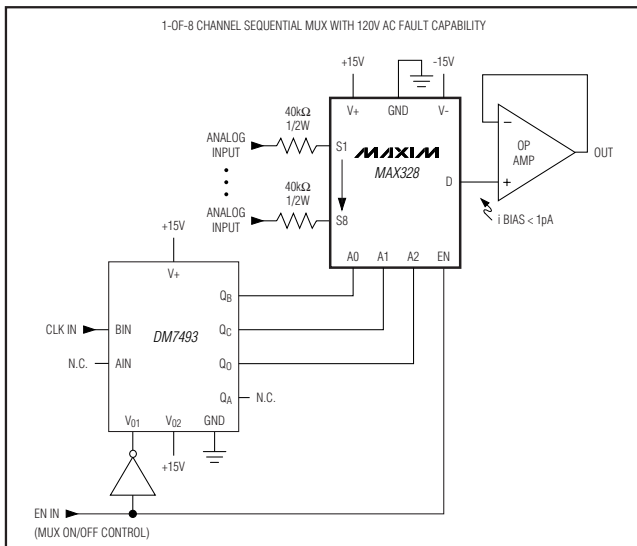
Adding an external 40kΩ resistor to each input makes the MAX328/MAX329 an excellent fault-tolerant multiplexer. Low leakage (less than 1pA at +25°C) and 2.5kΩ on-resistance allow the circuit to sustain 110V AC faults indefinitely while maintaining an error of less than 40nV for normal signals (i.e., 1pA times 40kΩ).

The MAX328/MAX329 work equally well with a single supply of 10V to 30V or dual supplies of ±5V to ±18V. They also perform well with unbalanced combinations of supply voltage, such as +12V and -5V or +5V and -15V. Low power dissipation (1.9mW with ±15V supplies) allows use in portable applications.

Applications

- Control Systems
- Data Logging Systems
- Aircraft Heads-Up Displays
- Data-Acquisition Systems
- Signal Routing

Typical Operating Circuit



Features

- ◆ Ultra-Low Off- and On-Leakage: 1pA Typ
- ◆ Bidirectional Operation (Use as Mux or Demux)
- ◆ TTL and CMOS Logic Compatibility
- ◆ Analog-Signal Range Includes Power-Supply Rails
- ◆ Switching Speeds Less Than 1.5μs
- ◆ Pin Compatible with DG508/DG509 and MAX358/MAX359
- ◆ Latchup Proof Construction

Ordering Information

PART	TEMP RANGE	PIN-PACKAGE
MAX328CPE+	0°C to +70°C	16 Plastic DIP
MAX328CWE+	0°C to +70°C	16 Wide SO
MAX328CJE	0°C to +70°C	16 CERDIP
MAX328C/D	0°C to +70°C	Dice*
MAX328ETE+	-40°C to +85°C	16 TQFN-EP**
MAX328EPE+	-40°C to +85°C	16 Plastic DIP
MAX328EWE+	-40°C to +85°C	16 Wide SO
MAX328EJE	-40°C to +85°C	16 CERDIP***
MAX328MJE	-55°C to +125°C	16 CERDIP***

+Denotes a lead(Pb)-free/RoHS-compliant package.

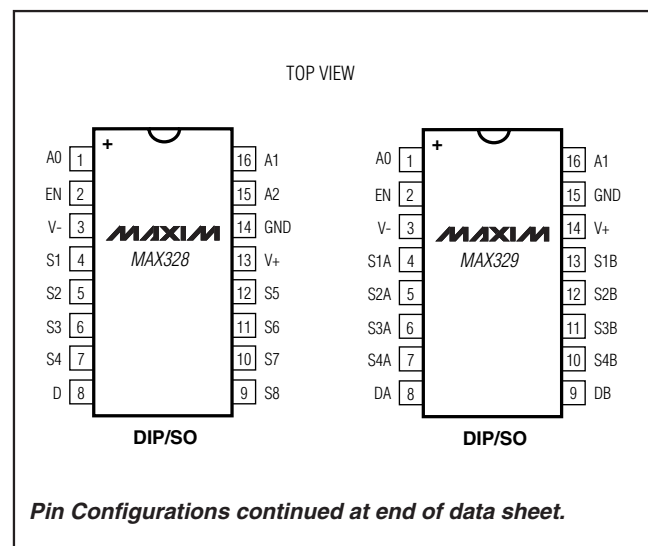
*Contact factory for dice specifications.

**EP = Exposed pad.

***Contact factory for availability. Substrate may be allowed to be unconnected or be connected to V+.

Ordering Information continued at end of data sheet.

Pin Configurations



Pin Configurations continued at end of data sheet.



Ultra-Low Leakage Monolithic CMOS Analog Multiplexers

ABSOLUTE MAXIMUM RATINGS

Voltage Referenced to V-

V+	+44V
GND	+25V
Digital Inputs (Note 1), V _S , V _D	-2V to (V+ + 2V)
Current (Any Terminal, Except S or D)	30mA
Continuous Current, S or D (pulsed at 1ms, 10% duty cycle max)	40mA
Operating Temperature Range	
MAX328/329 C	0°C to +70°C
MAX328/329 E	-40°C to +85°C
MAX328/329 M	-55°C to +125°C

Power Dissipation (Package) (Note 1)

CERDIP (derate 10mW/°C above +70°C)	800mW
PDIP (derate 10.5mW/°C above +70°C)	842.1mW
Wide SO (derate 14.3mW/°C above +70°C)	1142.9mW
TQFN (derate 33.3mW/°C above +70°C)	2666.7mW
Storage Temperature	-65°C to +150°C
Lead Temperature (soldering, 10s)	+300°C
Soldering Temperature (reflow)	
Lead(Pb)-free packages (PDIP, TQFN, Wide SO)	+260°C
Packages containing lead(Pb) (CERDIP, PDIP, Wide SO) ..	+240°C
Packages containing lead(Pb) (TQFN)	+260°C

Note 1: All leads soldered or welded to PC board.

Stresses beyond those listed under "Absolute Maximum Ratings" may cause permanent damage to the device. These are stress ratings only, and functional operation of the device at these or any other conditions beyond those indicated in the operational sections of the specifications is not implied. Exposure to absolute maximum rating conditions for extended periods may affect device reliability.

ELECTRICAL CHARACTERISTICS

(V₊ = 15V, V₋ = -15V, V_{GND} = 0V, T_A = +25°C, unless otherwise noted.) (Note 2)

PARAMETER	SYMBOL	CONDITIONS	MAX328M MAX329M			MAX328C/E MAX329C/E			UNITS
			MIN	TYP	MAX	MIN	TYP	MAX	
SWITCH									
Analog Signal Range	V _{ANALOG}		-15		+15	-15		+15	V
Drain-Source On-Resistance	R _{DS(ON)}	V _D = 10V, I _S = 100μA	Seq. each switch on, V _{AL} = 0.8V, V _{AH} = 2.4V		1.5	2.5	1.5	3.5	kΩ
		V _D = -10V, I _S = 100μA	1.0	2.5	1.0	3.5			
Greatest Change in Drain-Source On-Resistance Between Channels	ΔR _{DS(ON)}	$R_{DS(ON)} = \frac{R_{DS(ON) \text{ Max}} - R_{DS(ON) \text{ Min}}}{R_{DS(ON) \text{ Ave}}}$	2		2		2		%
Source Off-Leakage Current (Note 3)	I _{S(OFF)}	V _S = 10V, V _D = -10V	V _{EN} = 0V		0.1	±10	0.1	±10	pA
		V _S = -10V, V _D = 10V	0.3	±10	0.3	±10			
Drain Off-Leakage Current (Note 3)	MAX328	I _{D(OFF)}	V _{EN} = 0V	V _D = 10V, V _S = -10V	0.3	±10	0.3	±10	pA
				V _D = -10V, V _S = 10V	1.0	±10	1.0	±10	
	MAX329			V _D = 10V, V _S = -10V	0.3	±10	0.3	±10	
	V _D = -10V, V _S = 10V			0.5	±10	0.5	±10		
Drain On-Leakage Current (Note 3)	MAX328	I _{D(ON)}	Seq. each switch on, V _{AL} = 0.8V, V _{AH} = 2.4V	V _S (all) = V _D = 10V	3.0	±10	3.0	±10	pA
				V _S (all) = V _D = -10V	2.0	±10	2.0	±10	
	MAX329			V _S (all) = V _D = 10V	1.5	±10	1.5	±10	
	V _S (all) = V _D = -10V			1.0	±10	1.0	±10		

Ultra-Low Leakage Monolithic CMOS Analog Multiplexers

MAX328/MAX329

ELECTRICAL CHARACTERISTICS (continued)

(V₊ = 15V, V₋ = -15V, V_{GND} = 0V, T_A = +25°C, unless otherwise noted.) (Note 2)

PARAMETER	SYMBOL	CONDITIONS		MAX328M MAX329M			MAX328C/E MAX329C/E			UNITS
				MIN	TYP	MAX	MIN	TYP	MAX	
INPUT										
Address Input Current, Input Voltage High	I _{AH}	V _A = 2.4V		0.001	±1		0.001	±1	μA	
		V _A = 15V		0.001	±1		0.001	±1		
Address Input Current, Input Voltage Low	I _{AL}	V _{EN} = 2.4V	All	0.001	±1		0.001	±1	μA	
		V _{EN} = 0V	V _A = 0V	0.001	±1		0.001	±1		
DYNAMIC										
Switching Time of Multiplexer	t _{TRANSITION}	Figure 1			1.0		1.5		μs	
Break-Before-Make Interval	t _{OPEN}	Figure 2			0.2		0.2		μs	
Enable Turn-On Time	t _{ON(EN)}	Figure 3			1.0		1.5		μs	
Enable Turn-Off Time	t _{OFF(EN)}	Figure 3			0.7		1.0		μs	
Off-Isolation	OIRR	V _{EN} = 0V, R _L = 1kΩ, C _L = 15pF, V _S = 7V _{RMS} , f = 500kHz			84		84		dB	
Source Off-Capacitance	C _{S(OFF)}	V _S = 0V	V _{EN} = 0V, f = 1MHz		1.8		1.8		pF	
Drain Off- Capacitance	C _{D(OFF)}	V _D = 0V	V _{EN} = 0V, f = 1MHz		8.0		8.0		pF	
					4.0		4.0			
Charge Injection (Note 4)	Q _(INJ)	V _A = 10V			1		1		pC	
		V _A = 0V			2	5	2	5		
		V _A = -10V			4		4			
SUPPLY										
Positive Supply Current	I ₊	V _{EN} = 2.4V	V _A = 0V/5V	4.5	200		4.5	200	μA	
Negative Supply Current	I ₋	V _{EN} = 2.4V	V _A = 0V/5V	1	-100		1	-100	μA	
Power-Supply Range for Continuous Operation (Note 7)	V _{OP}			±5	±18		±5	±18	V	

Ultra-Low Leakage Monolithic CMOS Analog Multiplexers

ELECTRICAL CHARACTERISTICS (Overtemperature)

($V_+ = 15V$, $V_- = -15V$, $V_{GND} = 0V$, $T_A = T_{MIN}$ to T_{MAX} , unless otherwise noted.) (Note 2)

PARAMETER	SYMBOL	TEST CONDITIONS	MAX328M MAX329M			MAX328C/E MAX329C/E			UNITS
			MIN	TYP	MAX	MIN	TYP	MAX	
SWITCH									
Analog-Signal Range	V_{ANALOG}		-15	+15	-15	+15		V	
Drain-Source On-Resistance	$R_{DS(ON)}$	$V_D = 10V$, $I_S = 100\mu A$	Seq. each switch on, $V_{AL} = 0.8V$, $V_{AH} = 2.4V$		2.2	4	1.9	5	k Ω
		$V_D = -10V$, $I_S = 100\mu A$			1.5	4	1.2	5	
Source Off-Leakage Current (Note 6)	$I_{S(OFF)}$	$V_S = 10V$, $V_D = -10V$	$V_{EN} = 0V$		± 5		± 5		nA
		$V_S = -10V$, $V_D = 10V$			± 5		± 5		
Drain Off-Leakage Current (Note 6)	MAX328	$I_{D(OFF)}$	$V_{EN} = 0V$	$V_D = 10V$, $V_S = -10V$	± 20		± 20		nA
				$V_D = -10V$, $V_S = 10V$	± 20		± 20		
	MAX329			$V_D = 10V$, $V_S = -10V$	± 10		± 10		
				$V_D = -10V$, $V_S = 10V$	± 10		± 10		
Drain On-Leakage Current (Note 6)	MAX328	$I_{D(ON)}$	Seq. each switch on, $V_{AL} = 0.8V$, $V_{AH} = 2.4V$	V_S (all) = $V_D = 10V$	± 20		± 20		nA
				V_S (all) = $V_D = -10V$	± 20		± 20		
	MAX329			V_S (all) = $V_D = 10V$	± 10		± 10		
				V_S (all) = $V_D = -10V$	± 10		± 10		
INPUT									
Address Input Current, Input Voltage High	I_{AH}	$V_A = 2.4V$			0.01	± 1	0.01	± 1	μA
		$V_A = 15V$			0.01	± 1	0.01	± 1	
Address Input Current, Input Voltage Low	I_{AL}	$V_{EN} = 2.4V$	All $V_A = 0V$		0.01	± 1	0.01	± 1	μA
		$V_{EN} = 0V$					0.01	± 1	

Note 2: Typical values are for design aid only; not guaranteed or subject to production testing.

Note 3: All leakage parameters are 100% tested at maximum rated operating temperature, i.e., +70°C, +85°C, +125°C, and guaranteed by correlation at +25°C.

Note 4: Guaranteed by design.

Note 5: Electrical characteristics, such as On-Resistance, change when power supplies other than $\pm 15V$ are used. Power-supply range is a design characteristic, not production tested.

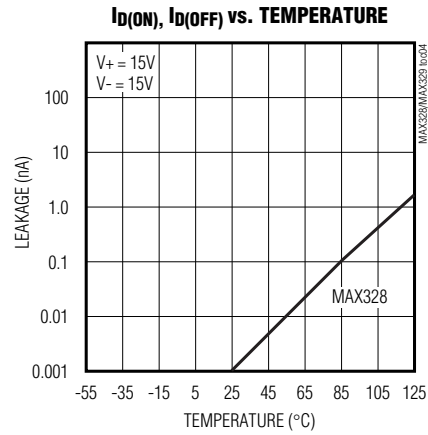
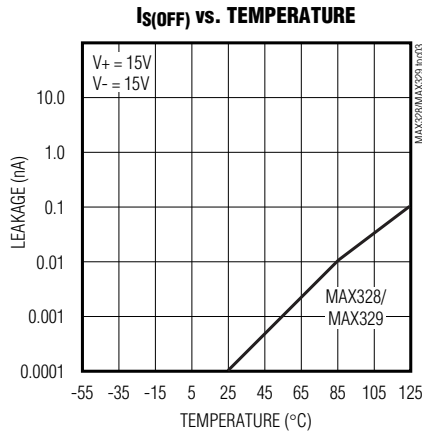
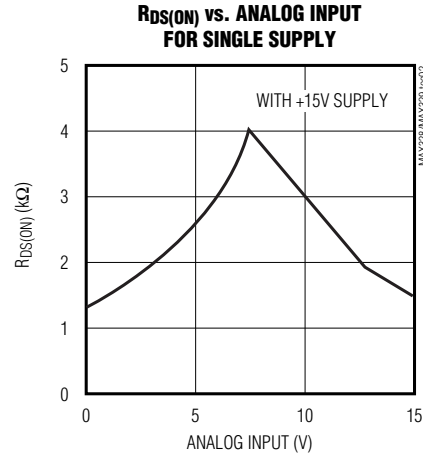
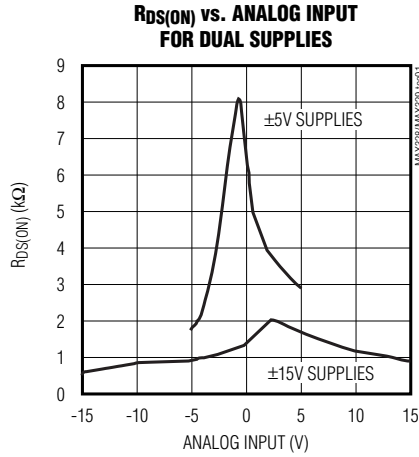
Note 6: Leakage parameters are 100% tested at maximum rated operating temperature, i.e., +70°C, etc.

Ultra-Low Leakage Monolithic CMOS Analog Multiplexers

Typical Operating Characteristics

($T_A = +25^\circ\text{C}$, unless otherwise noted.)

MAX328/MAX329



Ultra-Low Leakage Monolithic CMOS Analog Multiplexers

Pin Description

PIN				NAME	FUNCTION
MAX328		MAX329			
DIP/SO	TQFN-EP	DIP/SO	TQFN-EP		
1, 15, 16	15, 14, 13	—	—	A0, A2, A1	Address Input
—	—	1, 16	15, 14	A0, A1	Address Input
2	16	2	16	EN	Enable
3	1	3	1	V-	Negative-Supply Voltage Input
4–7	2–5	—	—	S1–S4	Analog Inputs—Bidirectional
—	—	4–7	2–5	S1A–S4A	Analog Inputs—Bidirectional
8	6	—	—	D	Analog Outputs—Bidirectional
—	—	8, 9	6, 7	DA, DB	Analog Outputs—Bidirectional
9–12	7–10	—	—	S8–S5	Analog Inputs—Bidirectional
—	—	10–13	8–11	S4B–S1B	Analog Inputs—Bidirectional
13	11	14	12	V+	Positive-Supply Voltage Input
14	12	15	13	GND	Ground
—	—	—	—	EP	Exposed pad. Connect EP to V+. (TQFN only).

Truth Table—MAX328

A2	A1	A0	EN	ON SWITCH
X	X	X	0	None
0	0	0	1	1
0	0	1	1	2
0	1	0	1	3
0	1	1	1	4
1	0	0	1	5
1	0	1	1	6
1	1	0	1	7
1	1	1	1	8

Truth Table—MAX329

A1	A0	EN	ON SWITCH
X	X	0	None
0	0	1	1
0	1	1	2
1	0	1	3
1	1	1	4

Note: Logic “0” = $V_{AL} \leq 0.8V$, Logic “1” = $V_{AH} \geq 2.4V$

Ultra-Low Leakage Monolithic CMOS Analog Multiplexers

MAX328/MAX329

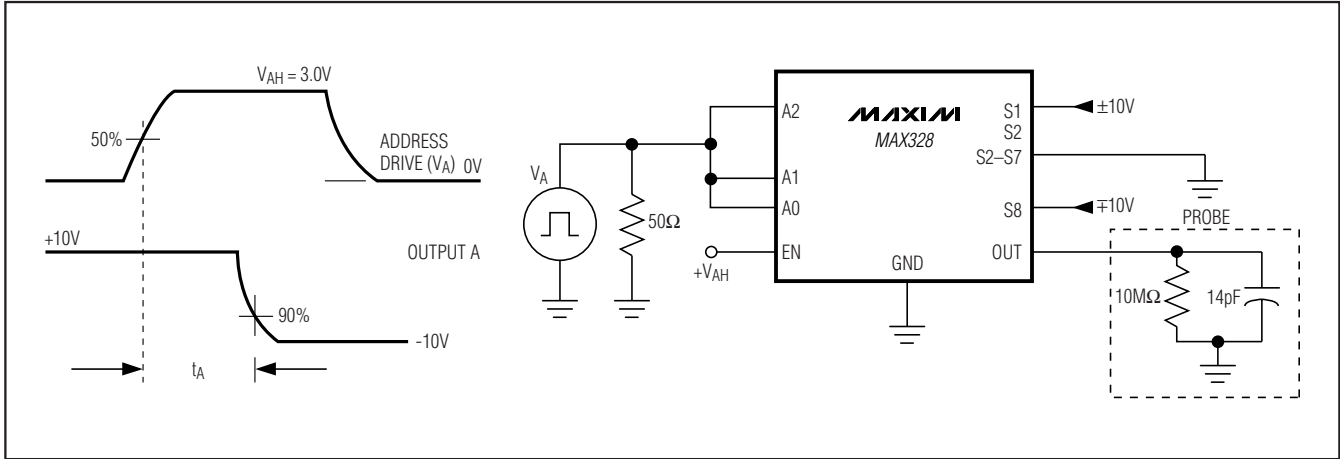


Figure 1. Access Time vs. Logic Level (High)

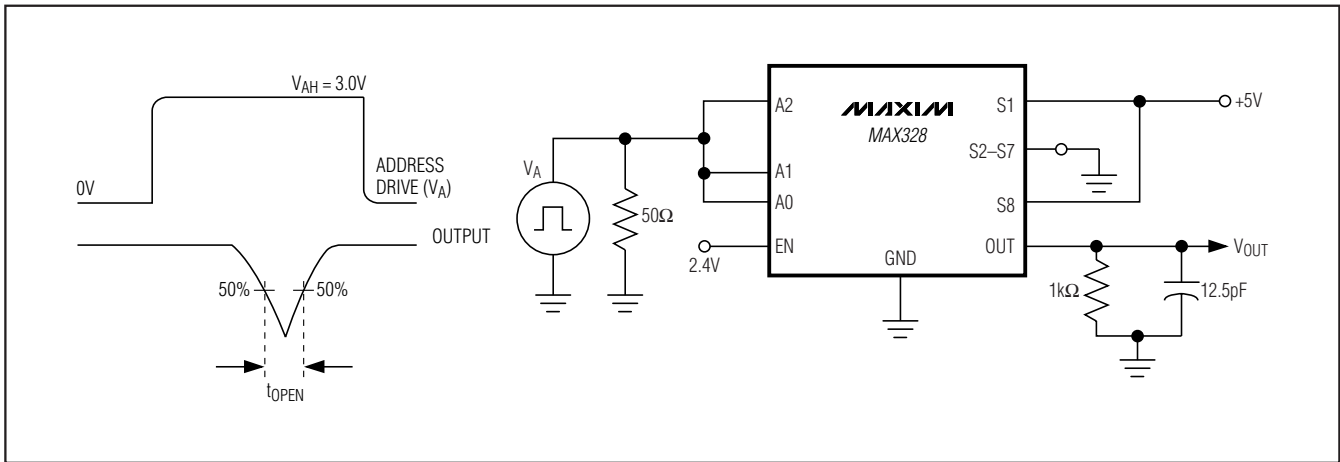


Figure 2. Break-Before-Make Delay (t_{OPEN})

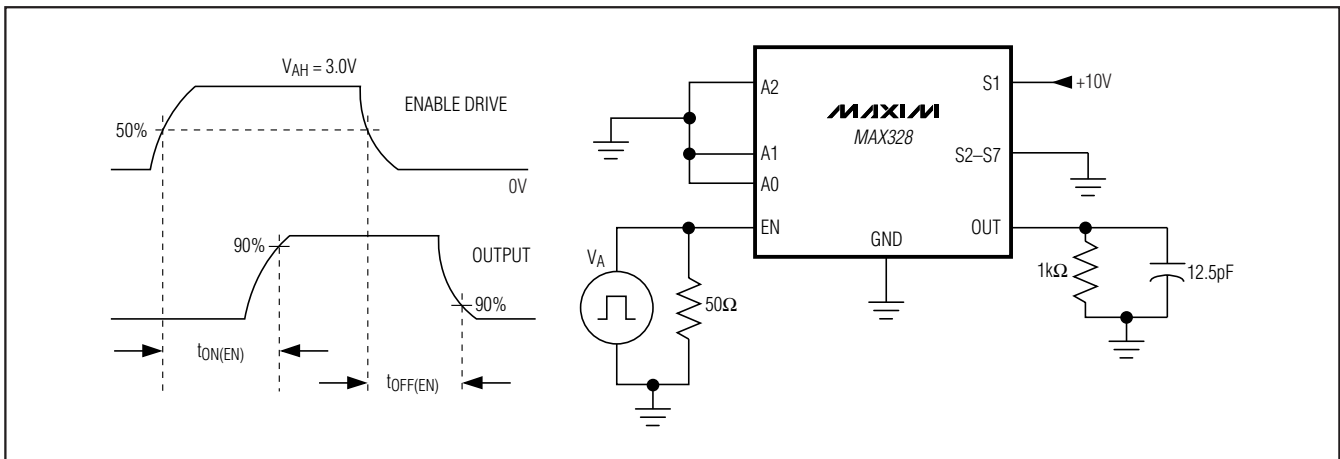


Figure 3. Enable Delay ($t_{ON(EN)}$, $t_{OFF(EN)}$)

Ultra-Low Leakage Monolithic CMOS Analog Multiplexers

Applications Information

Figure 4 is a typical circuit for converting the MAX328/MAX329 into a fault-tolerant mux. In this application, the internal diodes limit the voltage at the MAX328 input to $\pm 15.7V$ ($\pm 15V$ supplies). No external diodes need to be added with the MAX328/MAX329, unlike conventional multiplexers requiring external diodes.

The resistors, R, need to be $39k\Omega$ or higher to limit the power dissipation in the resistor when a 120V AC fault occurs (i.e., power dissipation is $(120-16)^2/39k\Omega$ or 0.28W. This is why a 1/2W resistor is needed). The circuit withstands an indefinite fault to a 120V AC line with no damage to any component.

In addition to allowing fault-protection, the guaranteed low leakage of the MAX328/MAX329 also reduces signal errors. The circuit in Figure 4 produces an error voltage of $10pA$ (max leakage) $\times 39k\Omega$ or $0.39\mu V$ at room temperature and $39\mu V$ at $+125^\circ C$. Therefore, for 10V signals, the MAX328/MAX329 allows 17-bit resolution ($38\mu V = 1LSB$) over the full temperature range.

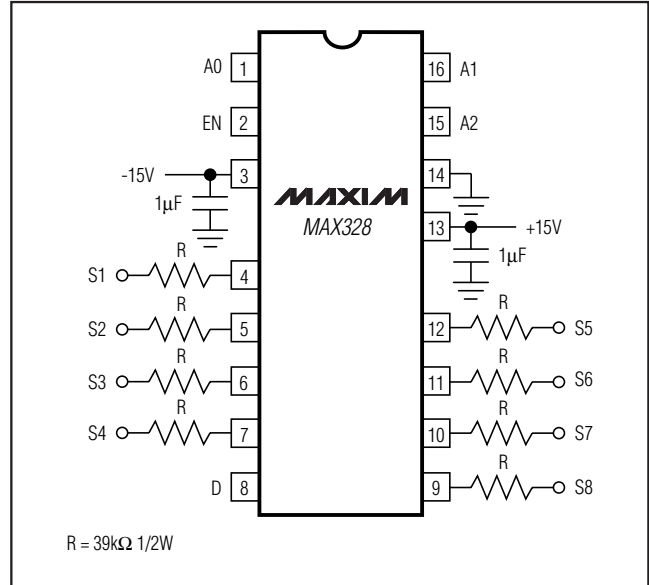
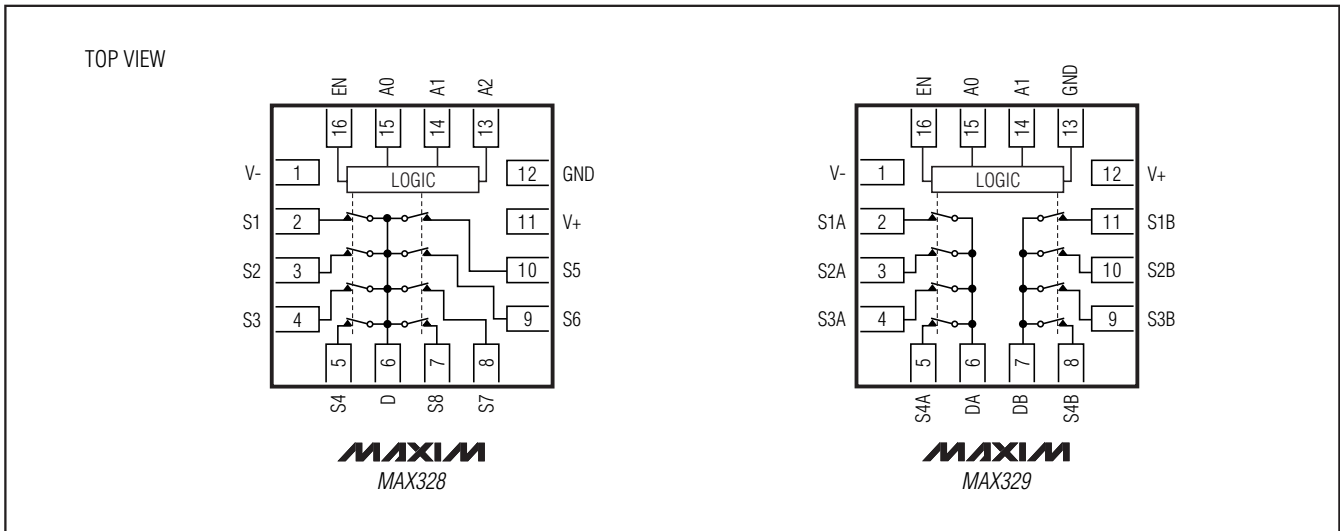


Figure 4. Fault-Tolerant Mux (indefinitely withstands 120V AC fault voltages)

Functional Diagrams



Ultra-Low Leakage Monolithic CMOS Analog Multiplexers

MAX328/MAX329

Ordering Information (continued)

PART	TEMP RANGE	PIN-PACKAGE
MAX329CPE+	0°C to +70°C	16 Plastic DIP
MAX329CWE+	0°C to +70°C	16 Wide SO
MAX329CJE	0°C to +70°C	16 CERDIP
MAX329C/D	0°C to +70°C	Dice*
MAX329ETE+	-40°C to +85°C	16 TQFN-EP**
MAX329EPE+	-40°C to +85°C	16 Plastic DIP
MAX329EWE+	-40°C to +85°C	16 Wide SO
MAX329EJE	-40°C to +85°C	16 CERDIP***
MAX329MJE	-55°C to +125°C	16 CERDIP***

+ Denotes a lead(Pb)-free/RoHS-compliant package.

* Contact factory for dice specifications.

** EP = Exposed pad.

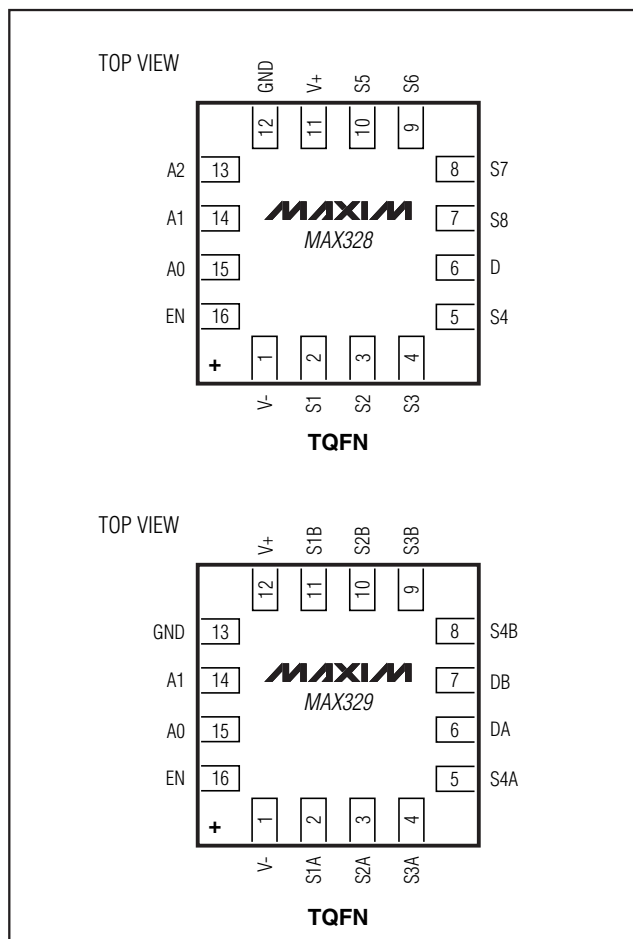
*** Contact factory for availability. Substrate may be allowed to be unconnected or be connected to V+.

Package Information

For the latest package outline information and land patterns (footprints), go to www.maxim-ic.com/packages. Note that a "+", "#", or "-" in the package code indicates RoHS status only. Package drawings may show a different suffix character, but the drawing pertains to the package regardless of RoHS status.

PACKAGE TYPE	PACKAGE CODE	OUTLINE NO.	LAND PATTERN NO.
16 CERDIP	J16+3	21-0045	—
16 PDIP	P16+2	21-0043	—
16 TQFN-EP	T1655+3	21-0140	90-0073
16 Wide SO	W16+2	21-0042	90-0107

Pin Configurations (continued)



Ultra-Low Leakage Monolithic CMOS Analog Multiplexers

Revision History

REVISION NUMBER	REVISION DATE	DESCRIPTION	PAGES CHANGED
3	2/11	Updated the <i>Ordering Information</i> table to reflect lead-free parts and corrected part numbers and package types	1, 9

Maxim cannot assume responsibility for use of any circuitry other than circuitry entirely embodied in a Maxim product. No circuit patent licenses are implied. Maxim reserves the right to change the circuitry and specifications without notice at any time.

10 **Maxim Integrated Products, 120 San Gabriel Drive, Sunnyvale, CA 94086 408-737-7600**

X-ON Electronics

Largest Supplier of Electrical and Electronic Components

Click to view similar products for [Multiplexer Switch ICs](#) category:

Click to view products by [Maxim](#) manufacturer:

Other Similar products are found below :

[NLV74HC4066ADR2G](#) [HEF4051BP](#) [MC74HC4067ADTG](#) [DG508AAK/883B](#) [NLV14051BDG](#) [016400E](#) [PI3V512QE](#) [7705201EC](#)
[PI2SSD3212NCE](#) [PI3L100QE](#) [NLAS3257CMX2TCG](#) [PI5A3157BC6EX](#) [PI3V512QEX](#) [PI3DBS16213ZLEX](#) [PI3DBS16415ZHEX](#)
[PS509LEX](#) [MUX36S16IRSNR](#) [74LVC1G3157GM-Q10X](#) [TC7W53FK,LF](#) [CD4053BM96](#) [MC74HC4053ADWR2G](#) [MAX4051AEEE+](#)
[HEF4053BT.653](#) [PI3L720ZHEX](#) [ADG1404YRUZ-REEL7](#) [ADG1208YRZ-REEL7](#) [MAX4704EUB+T](#) [ADG1406BRUZ-REEL7](#)
[CD4053BPWRG4](#) [ADG658TRUZ-EP](#) [74HC4053D.653](#) [74HCT4052PW.118](#) [74LVC2G53DP.125](#) [74HC4052DB.112](#) [74HC4052PW.112](#)
[74HC4053DB.112](#) [74HC4067DB.112](#) [74HC4351DB.112](#) [74HCT4052D.112](#) [74HCT4052DB.112](#) [74HCT4351D.112](#) [74LV4051PW.112](#)
[FSA1256L8X_F113](#) [PI5V330QE](#) [PI5V331QE](#) [5962-8771601EA](#) [5962-87716022A](#) [ADG5249FBRUZ](#) [ADG1438BRUZ](#) [ADG5207BCPZ-](#)
[RL7](#)