



# +2.35V to +5.5V, 1 $\mu$ A, 2Tx/2Rx RS-232 Transceivers with $\pm$ 15kV ESD-Protected I/O and Logic Pins

## General Description

The MAX3380E/MAX3381E are +2.35V to +5.5V-powered EIA/TIA-232 and V.28/V.24 communication interfaces with low power requirements, high data-rate capabilities, and enhanced electrostatic discharge (ESD) protection on both the TTL and RS-232 sides. The MAX3380E/MAX3381E have two receivers and two transmitters. All RS-232 inputs, outputs, and logic input pins are protected to  $\pm$ 15kV using IEC 1000-4-2 Air-Gap Discharge method and the Human Body Model, and  $\pm$ 8kV using IEC 1000-4-2 Contact Discharge method.

The proprietary low-dropout transmitter output stage enables true RS-232 performance from a +3.1V to +5.5V supply with a dual charge pump. The parts reduce the transmitter output levels to RS-232-compatible levels with no increase in supply current for supplies less than +3.1V and greater than +2.35V. The +2.35V to +5.5V operating range is fully compatible with lithium-ion (Li+) batteries. The charge pump requires only four small 0.1 $\mu$ F capacitors for operation.

The MAX3380E/MAX3381E transceivers use Maxim's revolutionary AutoShutdown Plus™ feature to automatically enter a 1 $\mu$ A shutdown mode. These devices shut down the on-board power supply and drivers when they do not sense a valid signal transition for 30 seconds on either the receiver or transmitter inputs.

The MAX3380E is capable of transmitting data at rates of 460kbps while maintaining RS-232 output levels, and the MAX3381E operates at data rates up to 250kbps. The MAX3381E offers a slower slew rate for applications where noise and EMI are issues. The MAX3380E/MAX3381E have a unique V<sub>L</sub> pin that allows interoperation in mixed-logic voltage systems down to +1.65V. Both input and output logic levels are referenced to the V<sub>L</sub> pin. The MAX3380E/MAX3381E are available in a space-saving TSSOP package.

## Applications

- Cell Phone Data Lump Cables
- PDA Data Lump Cables
- GPS Receivers
- Digital Cameras

*AutoShutdown Plus is a trademark of Maxim Integrated Products*

*Pin Configuration appears at end of data sheet.*

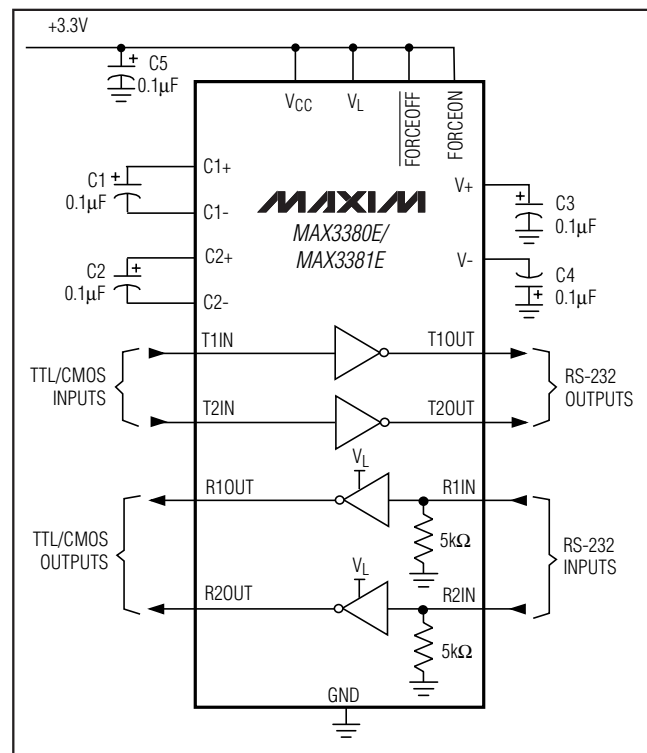
## Features

- ◆  $\pm$ 15kV ESD Protection on All CMOS and RS-232 Inputs and Outputs (Except INVALID)
  - ◆  $\pm$ 15kV Human Body Model
  - ◆  $\pm$ 15kV IEC 1000-4-2 Air-Gap Discharge
  - ◆  $\pm$ 8kV IEC 1000-4-2 Contact Discharge
- ◆ Operates Over Entire Li+ Battery Range
- ◆ Low Logic Threshold Down to +1.65V for Compatibility with Cell Phone Logic Supply Voltages
- ◆ 1 $\mu$ A Low-Power AutoShutdown Plus Mode
- ◆ Compatible with Next-Generation GSM Data Rates
- ◆ 20-Pin TSSOP Package

## Ordering Information

PART	TEMP. RANGE	PIN-PACKAGE
MAX3380ECUP	0°C to +70°C	20 TSSOP
MAX3380EEUP	-40°C to +85°C	20 TSSOP
MAX3381ECUP	0°C to +70°C	20 TSSOP
MAX3381EEUP	-40°C to +85°C	20 TSSOP

## Typical Operating Circuit



# +2.35V to +5.5V, 1µA, 2Tx/2Rx RS-232 Transceivers with ±15kV ESD-Protected I/O and Logic Pins

**MAX3380E/MAX3381E**

## ABSOLUTE MAXIMUM RATINGS

V <sub>CC</sub> to GND .....	-0.3V to +6.0V
V <sub>L</sub> to GND .....	-0.3V to +6.0V
V <sub>+</sub> to GND .....	-0.3V to +7.0V
V <sub>-</sub> to GND .....	+0.3V to -7.0V
V <sub>+</sub> +  V <sub>-</sub>   (Note 1) .....	+13V
Input Voltages	
T <sub>IN</sub> , FORCEON, FORCEOFF to GND .....	-0.3V to +6.0V
R <sub>IN</sub> to GND .....	±25V
Output Voltages	
T <sub>OUT</sub> to GND .....	±13.2V
R <sub>OUT</sub> , INVALID to GND .....	-0.3V to (V <sub>L</sub> + 0.3V)

Short-Circuit Duration T <sub>OUT</sub> to GND .....	Continuous
Continuous Power Dissipation (T <sub>A</sub> = +70°C)	
20-Pin TSSOP (derate 10.9mW/°C over +70°C) .....	879mW
Operating Temperature Ranges	
MAX3380ECUP/MAX3381ECUP .....	0°C to +70°C
MAX3380EEUP/MAX3381EEUP .....	-40°C to +85°C
Junction Temperature .....	+150°C
Storage Temperature Range .....	-65°C to +150°C
Lead Temperature (soldering, 10s) .....	+300°C

**Note 1:** V<sub>+</sub> and V<sub>-</sub> can have maximum magnitudes of +7V, but their absolute difference cannot exceed +13V.

Stresses beyond those listed under "Absolute Maximum Ratings" may cause permanent damage to the device. These are stress ratings only, and functional operation of the device at these or any other conditions beyond those indicated in the operational sections of the specifications is not implied. Exposure to absolute maximum rating conditions for extended periods may affect device reliability.

## ELECTRICAL CHARACTERISTICS

(V<sub>CC</sub> = +2.35V to +5.5V, V<sub>L</sub> = +1.65V to +5.5V. When V<sub>CC</sub> < +4.5V, C1 = C2 = C3 = C4 = 0.1µF; when V<sub>CC</sub> ≥ +4.5V, C1 = 0.047µF, C2 = C3 = C4 = 0.33µF; T<sub>A</sub> = T<sub>MIN</sub> to T<sub>MAX</sub>, unless otherwise noted. Typical values are at V<sub>CC</sub> = V<sub>L</sub> = +3.3V, T<sub>A</sub> = +25°C.)

PARAMETER	SYMBOL	CONDITIONS	MIN	TYP	MAX	UNITS	
Supply Current, AutoShutdown Plus	I <sub>CC</sub>	Receivers idle, V <sub>T_IN</sub> = V <sub>CC</sub> or GND, FORCEON = GND, FORCEOFF = V <sub>CC</sub>			10	µA	
		FORCEOFF = GND		1	10		
Supply Current, Normal Operation	I <sub>CC</sub>	FORCEON = FORCEOFF = V <sub>L</sub> , no load		0.3	1	mA	
<b>LOGIC INPUTS (T<sub>IN</sub>, FORCEON, FORCEOFF)</b>							
Input Logic Threshold Low	V <sub>IL</sub>	V <sub>CC</sub> = +5.5V, V <sub>L</sub> = +5.5V	0.4	1.2		V	
		V <sub>CC</sub> = +2.5V, V <sub>L</sub> = +1.65V	0.4				
Input Logic Threshold High	V <sub>IH</sub>	V <sub>CC</sub> = +5.5V, V <sub>L</sub> = +5.5V			V <sub>L</sub> × 0.66	V	
		V <sub>CC</sub> = +2.5V, V <sub>L</sub> = +1.65V			V <sub>L</sub> × 0.66		
Transmitter Input Hysteresis				0.5		V	
Input Leakage Current				±0.01	±1	µA	
<b>RECEIVER OUTPUTS (R<sub>OUT</sub>) AND INVALID</b>							
Output Voltage Low		I <sub>OUT</sub> = 500µA			0.5	V	
Output Voltage High		I <sub>OUT</sub> = -500µA	V <sub>L</sub> - 0.4	V <sub>L</sub> - 0.2		V	
<b>RECEIVER INPUTS (R<sub>IN</sub>)</b>							
Input Voltage Range			-25		+25	V	
Input Threshold Low		T <sub>A</sub> = +25°C	V <sub>L</sub> = +3.3V	0.6	1.2	V	
			V <sub>L</sub> = +5.0V	0.8	1.5		
Input Threshold High		T <sub>A</sub> = +25°C	V <sub>L</sub> = +3.3V		1.5	2.4	V
			V <sub>L</sub> = +5.0V		1.8	2.4	
Input Hysteresis				0.3		V	
Input Resistance		T <sub>A</sub> = +25°C	3	5	7	kΩ	

# +2.35V to +5.5V, 1μA, 2Tx/2Rx RS-232 Transceivers with ±15kV ESD-Protected I/O and Logic Pins

**MAX3380E/MAX3381E**

## ELECTRICAL CHARACTERISTICS (continued)

(V<sub>CC</sub> = +2.35V to +5.5V, V<sub>L</sub> = +1.65V to +5.5V. When V<sub>CC</sub> < +4.5V, C1 = C2 = C3 = C4 = 0.1μF; when V<sub>CC</sub> ≥ +4.5V, C1 = 0.047μF, C2 = C3 = C4 = 0.33μF; T<sub>A</sub> = T<sub>MIN</sub> to T<sub>MAX</sub>, unless otherwise noted. Typical values are at V<sub>CC</sub> = V<sub>L</sub> = +3.3V, T<sub>A</sub> = +25°C.)

PARAMETER	SYMBOL	CONDITIONS	MIN	TYP	MAX	UNITS
<b>AutoShutdown Plus (FORCEON = GND, FORCEOFF = V<sub>L</sub>)</b>						
Receiver Input Threshold to <u>INVALID</u> Output High		Figure 3	Positive threshold		2.7	V
			Negative threshold		-2.7	
Receiver Input Threshold to <u>INVALID</u> Output Low		Figure 3	-0.3		0.3	V
Receiver Positive or Negative Threshold to <u>INVALID</u> High	t <sub>INL</sub>	V <sub>CC</sub> = +5.0V, Figure 4		0.3		μs
Receiver Positive or Negative Threshold to <u>INVALID</u> Low	t <sub>INVH</sub>	V <sub>CC</sub> = +5.0V, Figure 4		30		μs
Receiver or Transmitter Edge to Transmitters Enabled	t <sub>WU</sub>	V <sub>CC</sub> = +5.0V, Figure 4		15		μs
Receiver or Transmitter Edge to Transmitters Shutdown	t <sub>AUTOSHDN</sub>	V <sub>CC</sub> = +5.0V, Figure 4		30		s
<b>TRANSMITTER OUTPUTS</b>						
V <sub>CC</sub> Mode Switch Point (V <sub>CC</sub> Falling)		T <sub>OUT</sub> = ±5.0V to ±3.7V	2.95	3.1	3.25	V
V <sub>CC</sub> Mode Switch Point (V <sub>CC</sub> Rising)		T <sub>OUT</sub> = ±3.7V to ±5.5V	3.3	3.5	3.7	V
V <sub>CC</sub> Mode Switch Point Hysteresis				400		mV
Output Voltage Swing		All transmitter outputs loaded with 3kΩ to ground	V <sub>CC</sub> = +3.25V to +5.5V, V <sub>CC</sub> falling		±5	V
			V <sub>CC</sub> = +2.5V to +2.95V, V <sub>CC</sub> falling		±3.7	
Output Resistance		V <sub>CC</sub> = 0, transmitter output = ±2.0V	300	10M		Ω
Output Short-Circuit Current					±60	mA
Output Leakage Current		V <sub>OUT</sub> = ±12V, transmitters disabled			±25	μA
<b>ESD PROTECTION</b>						
R <sub>IN</sub> , T <sub>OUT</sub> , R <sub>OUT</sub> , T <sub>IN</sub> , FORCEON, FORCEOFF		Human Body Model		±15		kV
		IEC 1000-4-2 Air-Gap Discharge Method		±15		
		IEC 1000-4-2 Contact Discharge Method		±8		

# +2.35V to +5.5V, 1μA, 2Tx/2Rx RS-232 Transceivers with ±15kV ESD-Protected I/O and Logic Pins

**MAX3380E/MAX3381E**

## TIMING CHARACTERISTICS

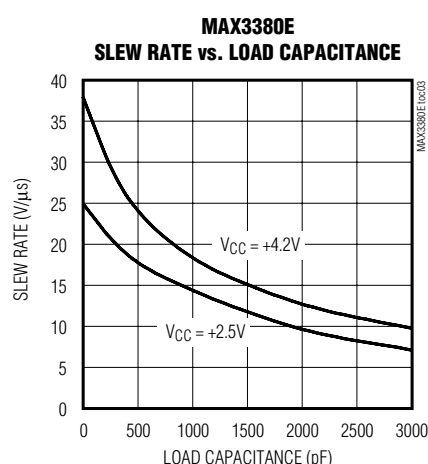
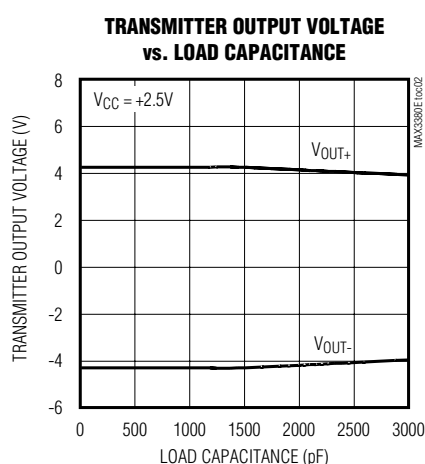
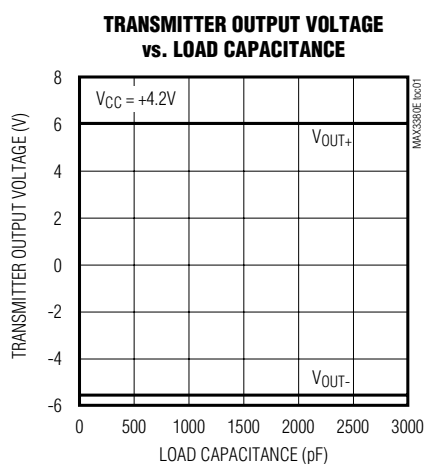
( $V_{CC} = +2.35V$  to  $+5.5V$ ,  $V_L = +1.65V$  to  $+5.5V$ . When  $V_{CC} < +4.5V$ ,  $C_1 = C_2 = C_3 = C_4 = 0.1\mu F$ ; when  $V_{CC} \geq +4.5V$ ,  $C_1 = 0.047\mu F$ ,  $C_2 = C_3 = C_4 = 0.33\mu F$ ;  $T_A = T_{MIN}$  to  $T_{MAX}$ , unless otherwise noted. Typical values are at  $V_{CC} = V_L = +3.3V$ ,  $T_A = +25^\circ C$ .)

PARAMETER	SYMBOL	CONDITIONS	MIN	TYP	MAX	UNITS		
Maximum Data Rate		$R_L = 3k\Omega$ , $C_L = 1000pF$ , one transmitter switching				kbps		
			MAX3381E	250				
						MAX3380E	460	
Receiver Propagation Delay	$t_{PLH}$	Receiver input to receiver output, $C_L = 100pF$		0.15		$\mu s$		
	$t_{PHL}$			0.15				
Transmitter Skew	$ t_{PHL} - t_{PLH} $	(Note 2)		200		ns		
Receiver Skew	$ t_{PHL} - t_{PLH} $			50		ns		
Transition Region Slew Rate (MAX3380E)		$V_{CC} = +4.2V$ , $-3.0V < T_{OUT} < +3.0V$ , $R_L = 3k\Omega$ , $C_L = 250pF$ to $1000pF$ , $T_A = +25^\circ C$	20		100	$V/\mu s$		
Transition Region Slew Rate (MAX3381E)		$V_{CC} = +4.2V$ , $-3.0V < T_{OUT} < +3.0V$ , $R_L = 3k\Omega$ , $C_L = 150pF$ to $1000pF$ , $T_A = +25^\circ C$	6		30	$V/\mu s$		
Transition Region Slew Rate (MAX3380E)		$V_{CC} = +2.35V$ , $-3.0V < T_{OUT} < +3.0V$ , $R_L = 3k\Omega$ , $C_L = 250pF$ to $1000pF$ , $T_A = +25^\circ C$		30		$V/\mu s$		
Transition Region Slew Rate (MAX3381E)		$V_{CC} = +2.35V$ , $-3.0V < T_{OUT} < +3.0V$ , $R_L = 3k\Omega$ , $C_L = 250pF$ to $1000pF$ , $T_A = +25^\circ C$		10		$V/\mu s$		

**Note 2:** Transmitter skew is measured at the transmitter zero crosspoint.

## Typical Operating Characteristics

( $V_{CC} = V_L = +4.2V$ ,  $C_1 = 0.22\mu F$ ,  $C_2 = C_3 = C_4 = 1\mu F$ ,  $C_5 = 0.1\mu F$  parallel with  $47\mu F$ ,  $R_L = 3k\Omega$ ,  $C_L = 1000pF$ , data rate is 250kbps,  $T_A = +25^\circ C$ , unless otherwise noted.)

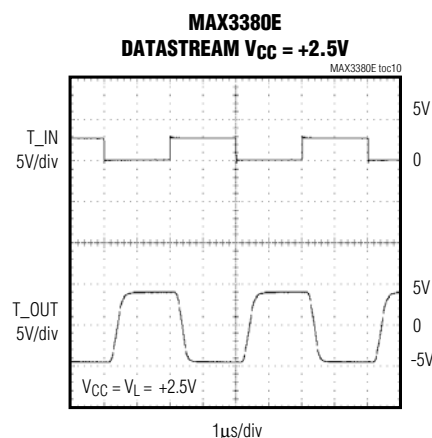
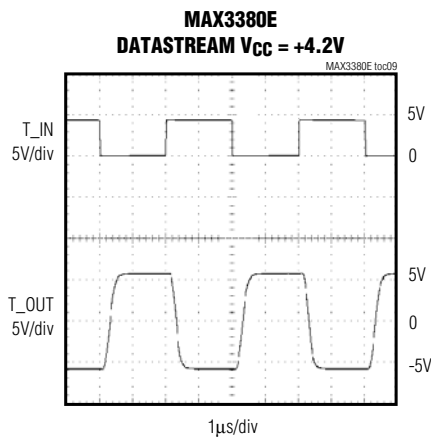
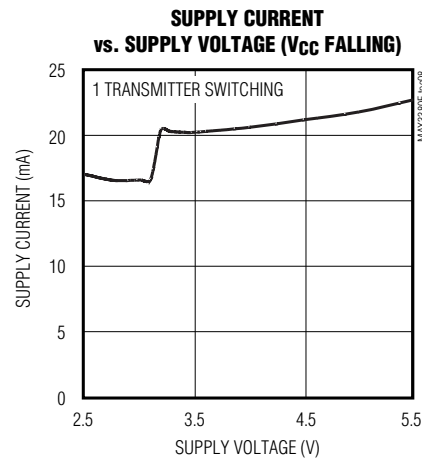
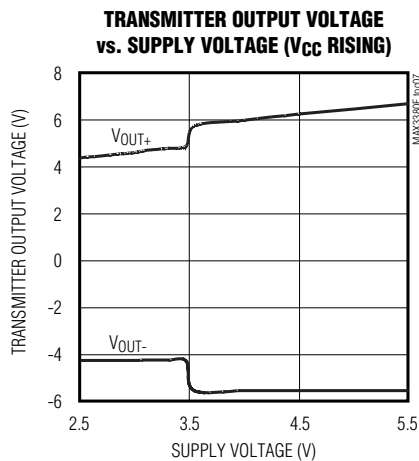
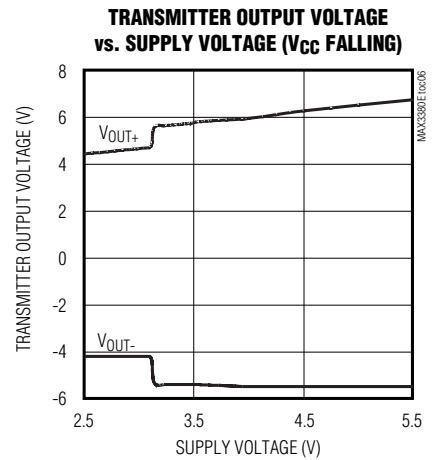
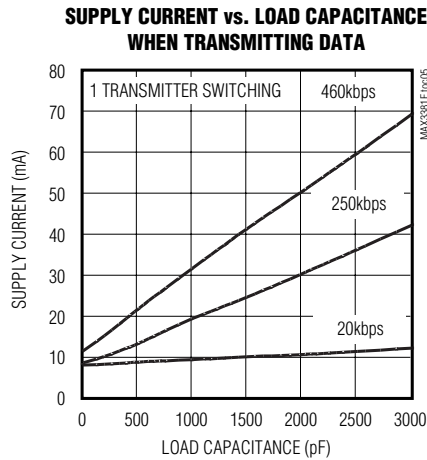
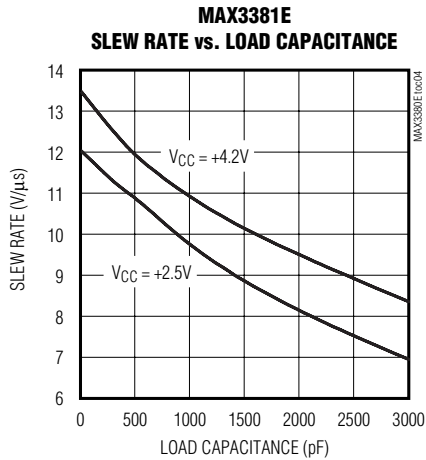


# +2.35V to +5.5V, 1μA, 2Tx/2Rx RS-232 Transceivers with ±15kV ESD-Protected I/O and Logic Pins

## Typical Operating Characteristics (continued)

( $V_{CC} = V_L = +4.2V$ ,  $C_1 = 0.22\mu F$ ,  $C_2 = C_3 = C_4 = 1\mu F$ ,  $C_5 = 0.1\mu F$  parallel with  $47\mu F$ ,  $R_L = 3k\Omega$ ,  $C_L = 1000pF$ , data rate is 250kbps,  $T_A = +25^\circ C$ , unless otherwise noted.)

**MAX3380E/MAX3381E**



# +2.35V to +5.5V, 1 $\mu$ A, 2Tx/2Rx RS-232 Transceivers with $\pm$ 15kV ESD-Protected I/O and Logic Pins

MAX3380E/MAX3381E

## Pin Description

PIN	NAME	FUNCTION	ESD PROTECTED
1	C1+	Positive Terminal of Voltage-Doubler Charge-Pump Capacitor	—
2	V+	+5.5V/+4.0V Generated by the Charge Pump	—
3	C1-	Negative Terminal of Voltage-Doubler Charge-Pump Capacitor	—
4	C2+	Positive Terminal of Inverting Charge-Pump Capacitor	—
5	C2-	Negative Terminal of Inverting Charge-Pump Capacitor	—
6	V-	-5.5V/-4.0V Generated by the Charge Pump	—
7	$\overline{\text{INVALID}}$	$\overline{\text{INVALID}}$ is asserted if any inputs of the receivers are in an invalid state; $-0.3\text{V} < V_{R\_IN} < +0.3\text{V}$	—
8, 9	T_IN	TTL/CMOS Transmitter Inputs Referenced to $V_L$ (T1IN, T2IN)	✓
10, 11	R_OUT	TTL/CMOS Receiver Outputs Referenced to $V_L$ (R2OUT, R1OUT)	✓
12	FORCEON	Force-On Input. Drive high to override automatic circuitry keeping transmitters on (FORCEOFF must be high) (Table 1).	✓
13	$V_L$	Logic Level Supply. +1.65V to +5.5V, sets CMOS logic thresholds and CMOS outputs.	—
14, 15	R_IN	RS-232 Receiver Inputs (R2IN, R1IN)	✓
16, 17	T_OUT	RS-232 Transmitter Outputs (T2OUT, T1OUT)	✓
18	GND	Ground	—
19	$\overline{\text{FORCEOFF}}$	Force-Off Input. Drive low to shut down transmitters and on-board power supply. This overrides all automatic circuitry and FORCEON (Table 1).	✓
20	VCC	+2.35V to +5.5V Supply Voltage	—

## Detailed Description

The MAX3380E/MAX3381E are RS-232 transceivers that maximize battery life by reducing current consumption at low battery levels. When the supply voltage is above +3.7V, the RS-232 outputs are at  $\pm$ 5.5V, which is compliant with the RS-232 standard. As the supply voltage drops below the +3.1V set point, the RS-232 outputs change to  $\pm$ 3.7V, which is compatible with the RS-232 standard. The outputs will remain at the compatible levels until the supply voltage rises above +3.5V, where they return to compliant levels. 400mV of hysteresis protects against power-supply bounce that may cause numerous mode changes.

Most devices that use charge pumps to double and invert voltages consume higher current when the supply voltage is less than half of the required output voltage. This is due to the fact that the charge pump is constantly operating because the output voltage is below the regulation voltage. This requires more supply current because the output will never reach the regulation voltage and switch off. The MAX3380E/MAX3381E reduce

the output voltage requirement allowing the charge pump to operate with supply voltages down to +2.35V.

### Dual-Mode Regulated Charge-Pump Voltage Converter

The MAX3380E/MAX3381Es' internal power supply is a dual-mode regulated charge pump. The output regulation point depends on  $V_{CC}$  and the direction in which  $V_{CC}$  moves through the switchover region of  $+2.95\text{V} < V_{CC} < +3.7\text{V}$ .

For supply voltages above +3.7V, the charge pump will generate +5.5V at  $V_+$  and -5.5V at  $V_-$ . The charge pumps operate in a discontinuous mode. If the output voltages are less than  $\pm$ 5.5V, the charge pumps are enabled; if the output voltages exceed  $\pm$ 5.5V, the charge pumps are disabled.

For supply voltages below +2.95V, the charge pump will generate +4.0V at  $V_+$  and -4.0V at  $V_-$ . The charge pumps operate in a discontinuous mode.

Each charge pump requires a flying capacitor (C1, C2) and a reservoir capacitor (C3, C4) to generate the  $V_+$  and  $V_-$  supplies (see *Typical Operating Circuit*).

# +2.35V to +5.5V, 1μA, 2Tx/2Rx RS-232 Transceivers with ±15kV ESD-Protected I/O and Logic Pins

MAX3380E/MAX3381E

## Voltage Generation in the Switchover Region

The MAX3380E/MAX3381E include a switchover circuit between RS-232-compliant and RS-232-compatible modes that has approximately 400mV of hysteresis around the switchover point. The hysteresis is shown in Figure 1. This large hysteresis helps to avoid mode change under battery or power-supply bounce.

Under a decaying  $V_{CC}$ , the charge pump will generate an output voltage of  $\pm 5.5V$  with a  $V_{CC}$  input range between +3.1V and +5.5V. When  $V_{CC}$  drops below the switchover point of +3.1V, the charge pump switches into RS-232-compatible mode generating  $\pm 4V$ .

When  $V_{CC}$  is rising, the charge pump will generate an output voltage of  $\pm 4.0V$ , while  $V_{CC}$  is between +2.5V and +3.5V. When  $V_{CC}$  rises above the switchover voltage of +3.5V, the charge pump switches to RS-232-compliant mode to generate an output voltage of  $\pm 5.5V$ .

## RS-232 Transmitters

The transmitters are inverting level translators that convert CMOS-logic levels to RS-232-compatible levels. The MAX3380E/MAX3381E will automatically reduce the RS-232-compliant levels from  $\pm 5.5V$  to  $\pm 3.7V$  when  $V_{CC}$  falls below approximately +3.1V. The reduced levels are RS-232-compatible and reduce supply current requirements that help preserve the battery. Built-in hysteresis of approximately 400mV for  $V_{CC}$  ensures that the RS-232 output levels do not change if  $V_{CC}$  is noisy or has a sudden current draw causing the supply voltage to drop slightly. The outputs will return to RS-232-compliant levels ( $\pm 5.5V$ ) when  $V_{CC}$  rises above approximately +3.5V.

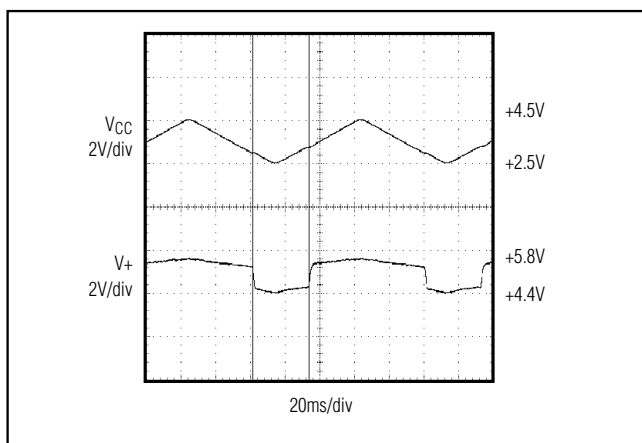


Figure 1. V+ Switchover for Changing Vcc

The MAX3380E/MAX3381E transmitters guarantee a data rate of 460kbps/250kbps, respectively, with worst-case loads of 3kΩ in parallel with 1000pF. Transmitters can be paralleled to drive multiple receivers.

When  $\overline{FORCEOFF}$  is driven to ground, the transmitters are disabled and the outputs go into high impedance; receivers remain active. When the AutoShutdown Plus circuitry senses that all receiver and transmitter inputs are inactive for more than 30s, the transmitters are disabled and the outputs go into a high-impedance state, and the receivers remain active. When the power is off, the MAX3380E/MAX3381E permit the outputs to be driven up to  $\pm 12V$ .

The transmitter inputs have a 400kΩ active positive feedback resistor. They will retain a valid logic level if the driving signal is removed or goes high impedance. Connect unused transmitter inputs to  $V_{CC}$  or ground.

## RS-232 Receivers

The receivers convert RS-232 signals to logic levels referred to  $V_L$ . Both receivers are active in shutdown (Table 1).

## AutoShutdown Plus Mode

The MAX3380E/MAX3381E achieve a 1μA supply current with Maxim's AutoShutdown Plus feature, which operates when  $\overline{FORCEOFF}$  is high and  $\overline{FORCEON}$  is low. When these devices do not sense a valid signal transition on any receiver and transmitter input for 30s, the on-board charge pumps are shut down, reducing supply current to 1μA. This occurs if the RS-232 cable is disconnected or if the connected peripheral transmitters are turned off, and if the UART driving the transmitter inputs is inactive. The system turns on again when a valid transition is applied to any RS-232 receiver or transmitter input. As a result, the system saves power without changes to the existing BIOS or operating system.

Figures 2a and 2b show valid and invalid RS-232 receiver voltage levels.  $\overline{INVALID}$  indicates the receiver input's condition, and is independent of the  $\overline{FORCEON}$  and  $\overline{FORCEOFF}$  states. Figure 2 and Table 1 summarize the MAX3380E/MAX3381E's operating modes.  $\overline{FORCEON}$  and  $\overline{FORCEOFF}$  override AutoShutdown Plus circuitry. When neither control is asserted, the IC selects between these states automatically based on the last receiver or transmitter input edge received.

By connecting  $\overline{FORCEON}$  to  $\overline{INVALID}$ , the MAX3380E/MAX3381E is shut down when no valid receiver level and no receiver or transmitter edge is detected for 30s, and wakes up when a receiver or transmitter edge is detected (Figure 2c).

# +2.35V to +5.5V, 1μA, 2Tx/2Rx RS-232 Transceivers with ±15kV ESD-Protected I/O and Logic Pins

**MAX3380E/MAX3381E**

**Table 1. AutoShutdown Plus Truth Table**

OPERATION STATUS	FORCEON	$\overline{\text{FORCEOFF}}$	VALID RECEIVER LEVEL	RECEIVER OR TRANSMITTER EDGE WITHIN 30s	T_OUT	R_OUT
Shutdown (Forced Off)	X	0	X	X	High-Z	Active
Normal Operation (Forced On)	1	1	X	X	Active	Active
Normal Operation (AutoShutdown Plus)	0	1	X	Yes	Active	Active
Shutdown (AutoShutdown Plus)	0	1	X	No	High-Z	Active
Normal Operation	$\overline{\text{INVALID}}$	1	Yes	X	Active	Active
Normal Operation	$\overline{\text{INVALID}}$	1	X	Yes	Active	Active
Shutdown	$\overline{\text{INVALID}}$	1	No	No	High-Z	Active
Normal Operation (AutoShutdown)	$\overline{\text{INVALID}}$	$\overline{\text{INVALID}}$	Yes	X	Active	Active
Shutdown (AutoShutdown)	$\overline{\text{INVALID}}$	$\overline{\text{INVALID}}$	No	X	High-Z	Active

X = Don't care

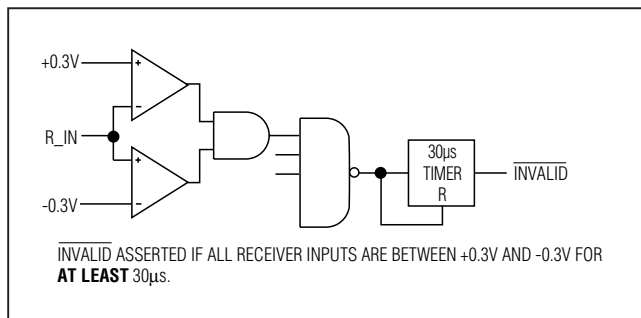


Figure 2a.  $\overline{\text{INVALID}}$  Functional Diagram,  $\overline{\text{INVALID}}$  Low

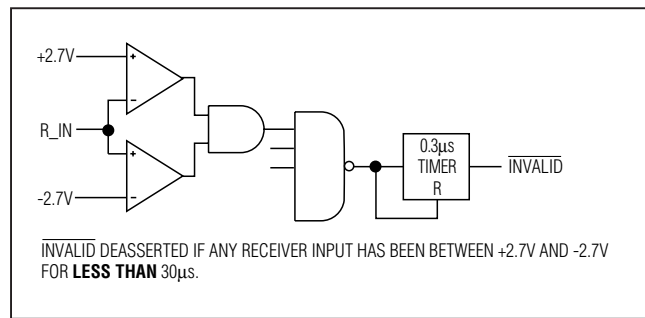


Figure 2b.  $\overline{\text{INVALID}}$  Functional Diagram,  $\overline{\text{INVALID}}$  High



# +2.35V to +5.5V, 1 $\mu$ A, 2Tx/2Rx RS-232 Transceivers with $\pm 15$ kV ESD-Protected I/O and Logic Pins

**MAX3380E/MAX3381E**

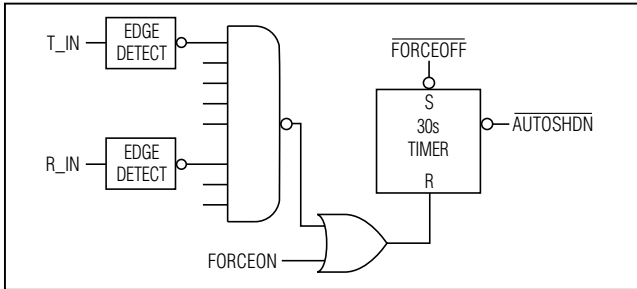


Figure 2c. AutoShutdown Plus Logic

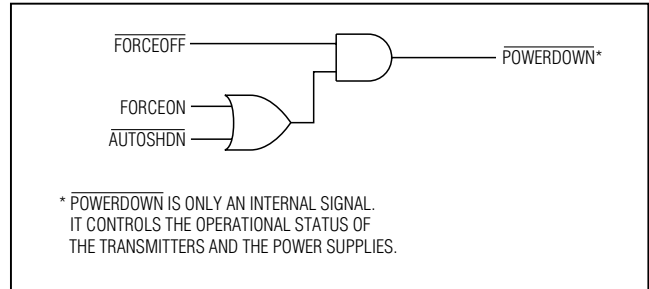


Figure 2d. Power-Down Logic

\* POWERDOWN IS ONLY AN INTERNAL SIGNAL. IT CONTROLS THE OPERATIONAL STATUS OF THE TRANSMITTERS AND THE POWER SUPPLIES.

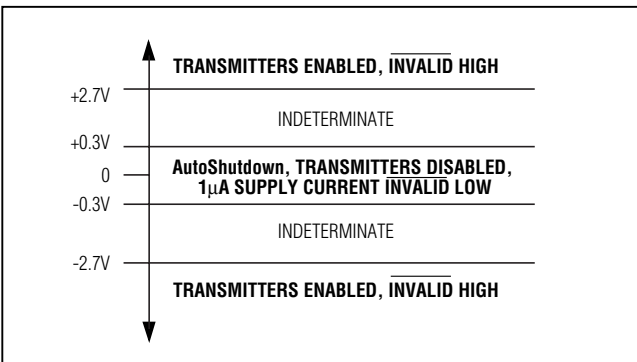


Figure 3. AutoShutdown Trip Levels

By connecting FORCEON and FORCEOFF to  $\overline{\text{INVALID}}$ , the MAX3380E/MAX3381E are shut down when no valid receiver level is detected.

### VL Logic Supply Input

Unlike other RS-232 interface devices where the receiver outputs swing between 0 and VCC, the MAX3380E/MAX3381E feature a separate logic supply input (VL) that sets VOH for the receiver and  $\overline{\text{INVALID}}$  outputs. VL also sets the threshold for the transmitter inputs, FORCEON and FORCEOFF. This feature allows a great deal of flexibility in interfacing to many different types of systems with different logic levels. Connect this input to

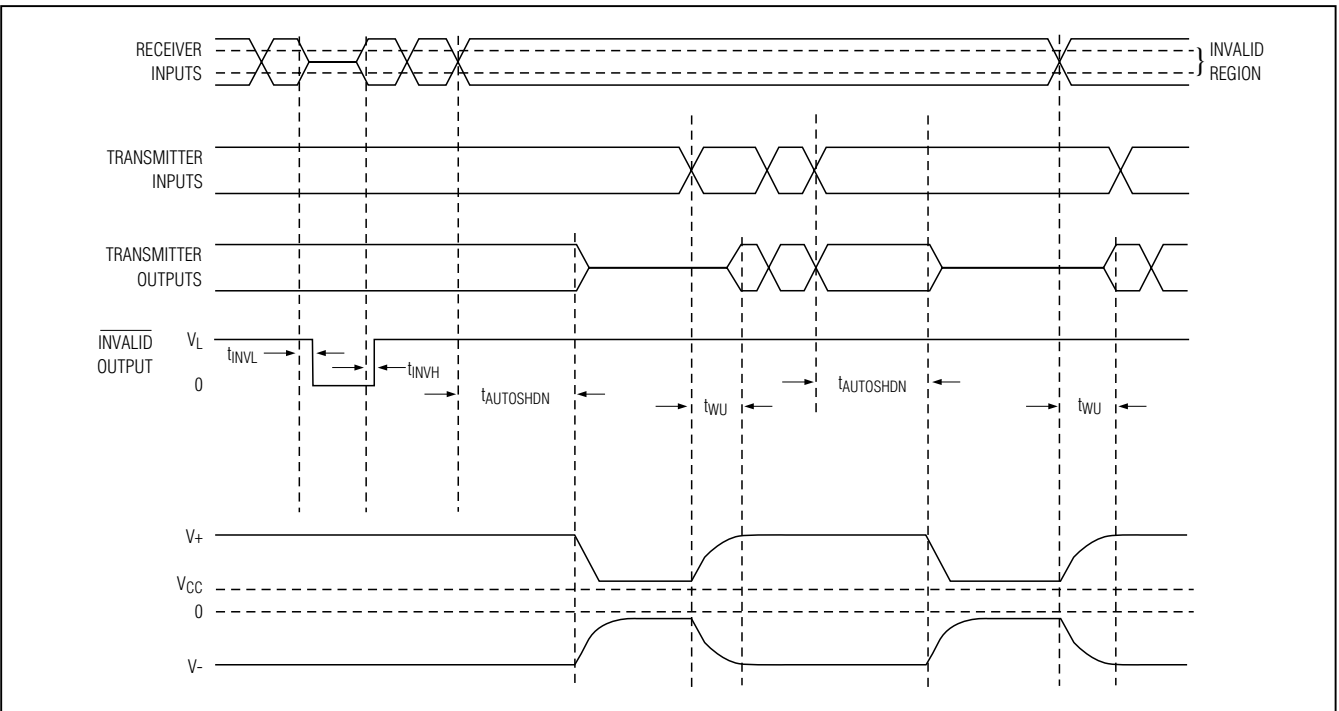


Figure 4. AutoShutdown Plus/ $\overline{\text{INVALID}}$  Timing Diagram

# +2.35V to +5.5V, 1 $\mu$ A, 2Tx/2Rx RS-232 Transceivers with $\pm$ 15kV ESD-Protected I/O and Logic Pins

**MAX3380E/MAX3381E**

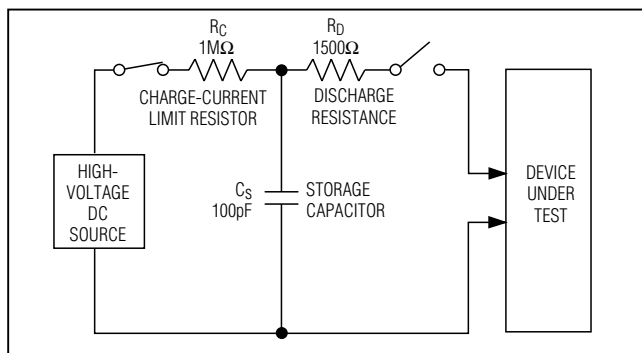


Figure 5a. Human Body ESD Test Model

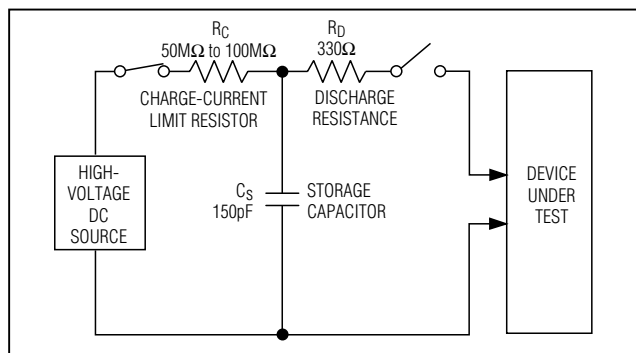


Figure 6a. IEC 1000-4-2 ESD Test Model

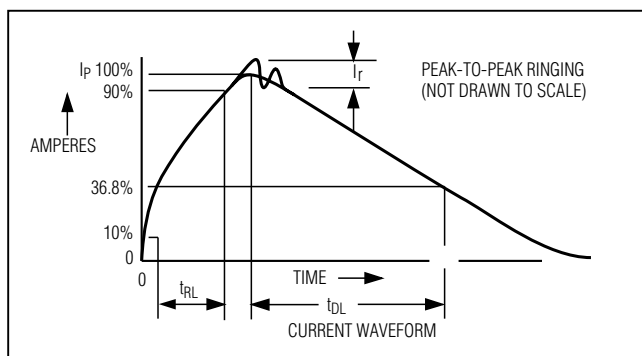


Figure 5b. Human Body Current Waveform

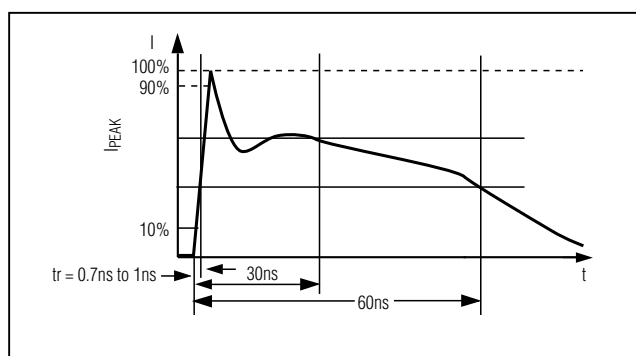


Figure 6b. IEC 1000-4-2 ESD Generator Current Waveform

the host logic supply (+1.65V to +5.5V). The VL input will draw a maximum current of 20 $\mu$ A with receiver outputs unloaded.

## $\pm$ 15kV ESD Protection

Maxim has developed state-of-the-art structures to protect these pins against an ESD of  $\pm$ 15kV without damage. The ESD structures withstand high ESD in all states: normal operation, shutdown, and power-down. After an ESD event, Maxim's "E" version devices keep working without latch-up, whereas competing RS-232 products can latch and must be powered down to remove latch-up. ESD protection can be tested in various ways. The transmitter and receiver outputs and receiver and logic inputs of this product family are characterized for protection to the following limits:

- $\pm$ 15kV using the Human Body Model
- $\pm$ 8kV using the Contact Discharge method specified in IEC 1000-4-2
- $\pm$ 15kV using IEC 1000-4-2's Air-Gap Discharge method

## ESD Test Conditions

ESD performance depends on a variety of conditions. Contact Maxim for a reliability report that documents test setup, methodology, and results.

## Human Body Model

Figure 5a shows the Human Body Model, and Figure 5b shows the current waveform it generates when discharged into a low impedance. This model consists of a 100pF capacitor charged to the ESD voltage of interest, which is then discharged into the test device through a 1.5k $\Omega$  resistor.

## IEC 1000-4-2

The IEC 1000-4-2 standard covers ESD testing and performance of finished equipment; it does not specifically refer to ICs. The MAX3380E/MAX3381E help you design equipment that meets Level 4, the highest level of IEC 1000-4-2 without the need for additional ESD-protection components. The major difference between tests done using the Human Body Model and IEC 1000-4-2 is higher peak current in IEC 1000-4-2, because series resistance is lower in the IEC 1000-4-2 model. Hence, the ESD withstand voltages measured

# +2.35V to +5.5V, 1 $\mu$ A, 2Tx/2Rx RS-232 Transceivers with $\pm$ 15kV ESD-Protected I/O and Logic Pins

MAX3380E/MAX3381E

to IEC 1000-4-2 are generally lower than that measured using the Human Body Model. Figure 6a shows the IEC 1000-4-2 model, and Figure 6b shows the current waveform for the  $\pm$ 8kV IEC 1000-4-2 Level 4 ESD Contact Discharge test.

The Air-Gap test involves approaching the device with a charged probe. The Contact Discharge method connects the probe to the device before the probe is energized.

## Machine Model

The Machine Model for ESD tests all pins using a 200pF storage capacitor and zero discharge resistance. Its objective is to emulate the stress caused by contact that occurs with handling and assembly during manufacturing. All pins require this protection during manufacturing, not just RS-232 inputs and outputs. Therefore, after PC board assembly, the Machine Model is less relevant to I/O ports.

## Applications Information

### Capacitor Selection

The capacitor type used for C1–C4 is not critical for proper operation. Polarized or nonpolarized capacitors can be used. The charge pump requires 0.1 $\mu$ F capacitors for +3.3V operation. For other supply voltages, see Table 2 for required capacitor values. Do not use values smaller than those listed in Table 2. Increasing the capacitor values (e.g., by a factor of 2) reduces ripple on the transmitter outputs and slightly reduces power consumption. C2, C3, and C4 can be increased without changing C1's value. However, do not increase C1 without also increasing the values of C2, C3, C4, and C5 to maintain the proper ratios (C1 to the other capacitors).

When using the minimum required capacitor values, make sure the capacitor value does not degrade excessively with temperature. If in doubt, use capacitors with a large nominal value. The capacitor's equivalent series resistance (ESR) usually rises at low temperatures and influences the amount of ripple on V+ and V-.

**Table 2. Minimum Required Capacitor Values**

V <sub>CC</sub> (V)	C1, C5 ( $\mu$ F)	C2, C3, C4 ( $\mu$ F)
+2.35 to +3.6	0.1	0.1
+4.5 to +5.5	0.047	0.33
+2.35 to +5.5	0.22	1

### Power-Supply Decoupling

In most circumstances, connect a 0.1 $\mu$ F capacitor from V<sub>CC</sub> to GND. This capacitor is for noise reduction. If the MAX3380E/MAX3381E are used in a data cable application, add a 47 $\mu$ F capacitor from V<sub>CC</sub> to ground. The 47 $\mu$ F capacitor is used to ensure that the current needed during power-up is supplied to the device. In applications that are sensitive to power-supply noise, decouple V<sub>CC</sub> to ground with a capacitor of the same value as charge-pump capacitor C1. Connect bypass capacitors as close to the IC as possible.

### Transmitter Outputs when Recovering from Shutdown

Figure 7 shows two transmitter outputs when exiting shutdown mode. As they become active, the two transmitter outputs are shown going to opposite RS-232 levels (one transmitter input is high, the other is low). Each transmitter is loaded with 3k $\Omega$  in parallel with 1000pF. The transmitter outputs display no ringing or undesirable transients as they come out of shutdown. Note that the transmitters are enabled only when the magnitude of V- exceeds approximately 3V.

### High Data Rates

The MAX3380E/MAX3381E maintain the RS-232  $\pm$ 5.0V minimum transmitter output voltage even at high data rates. Figure 8 shows a transmitter loopback test circuit. Figure 9 shows a loopback test result for the MAX3380E at 460kbps with true RS-232 output voltage levels (V<sub>CC</sub> = +4.2V). Figure 10 shows the same test with RS-232-compatible levels (V<sub>CC</sub> = +2.5V). With data rates as high as 460kbps, the MAX3380E is compatible with 2.5-Generation GSM standards.

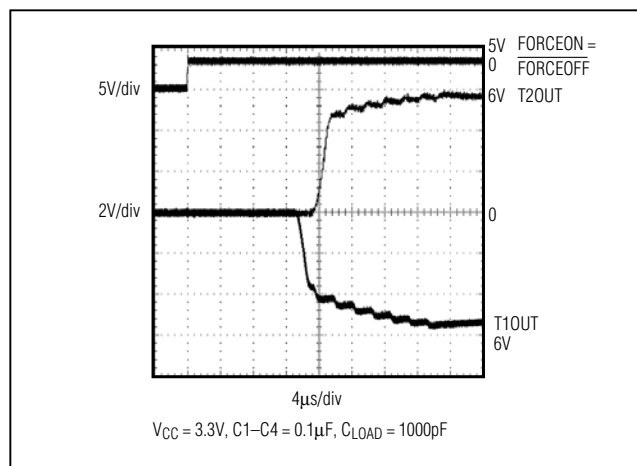


Figure 7. Transmitter Outputs when Recovering from Shutdown or Powering Up

# +2.35V to +5.5V, 1μA, 2Tx/2Rx RS-232 Transceivers with ±15kV ESD-Protected I/O and Logic Pins

MAX3380E/MAX3381E

For Figure 9 and Figure 10, a single transmitter was driven at 460kbps, and all transmitters were loaded with an RS-232 receiver in parallel with 1000pF.

### Data Cable Applications

The MAX3380E/MAX3381Es' ±15kV ESD protection on both the RS-232 I/Os as well as the logic I/Os makes them ideal candidates for data cable applications. A data cable is both an electrical connection and a level translator, allowing ultra-miniaturization of cell phones and other small portable devices.

Previous data cable approaches suffered from complexity due to the required protection circuits on both the logic side of the cable, as well as on the RS-232 connections. The example shown in Figure 11 shows the ease of using the MAX3380E/MAX3381E in data cable applications. For best performance, keep the logic level lines short and use the RS-232 level lines to span any distance.

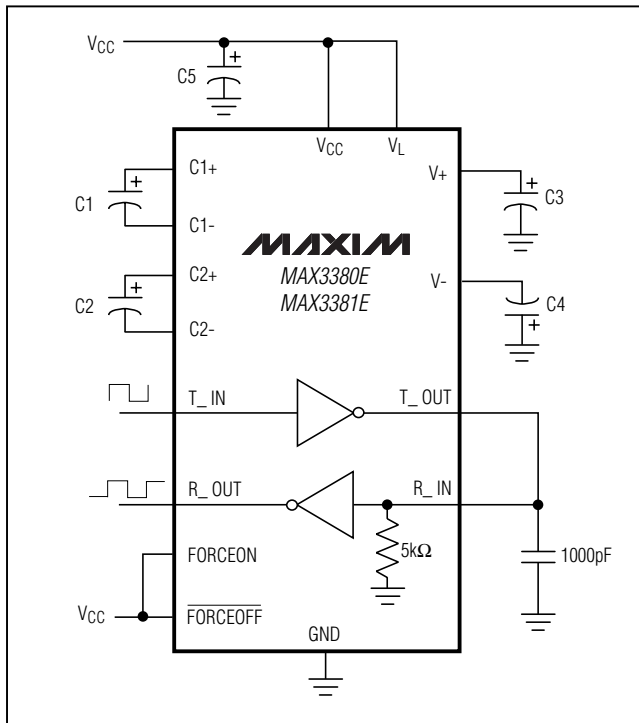


Figure 8. Loopback Test Circuit

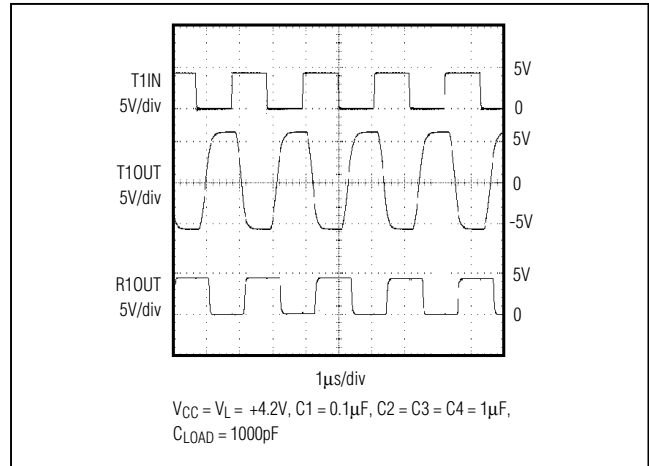


Figure 9. Loopback Test Results at 460kbps ( $V_{CC} = +4.2V$ )

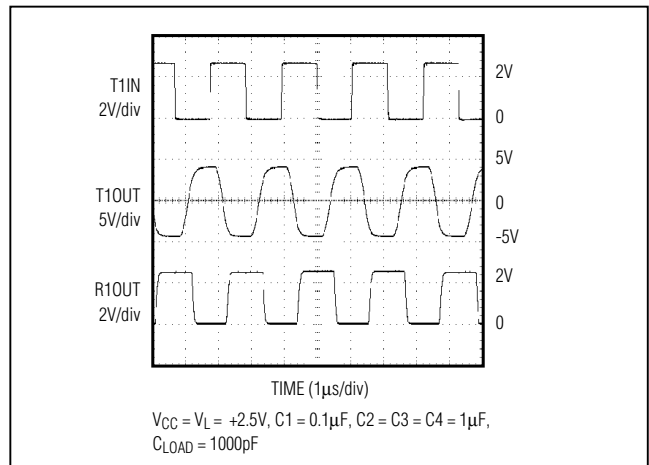


Figure 10. Loopback Test Results at 460kbps ( $V_{CC} = +2.5V$ )

# +2.35V to +5.5V, 1 $\mu$ A, 2Tx/2Rx RS-232 Transceivers with $\pm$ 15kV ESD-Protected I/O and Logic Pins

**MAX3380E/MAX3381E**

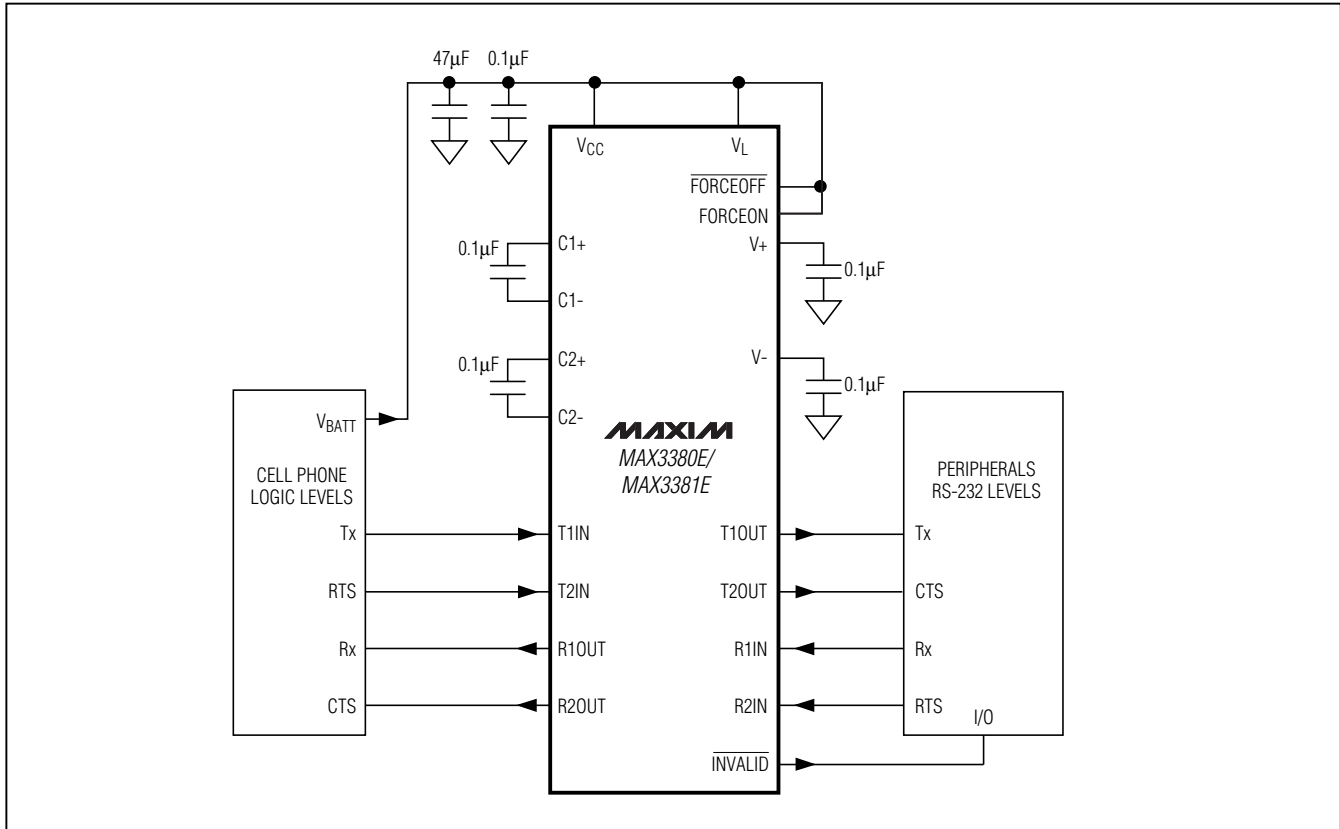
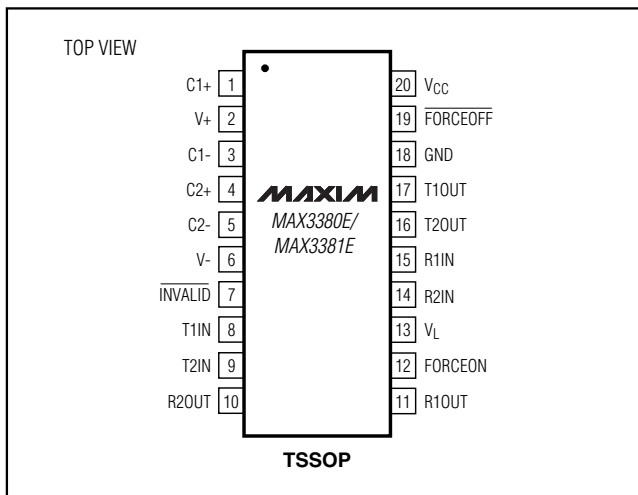


Figure 11. Typical Application Circuit

## Pin Configuration



## Chip Information

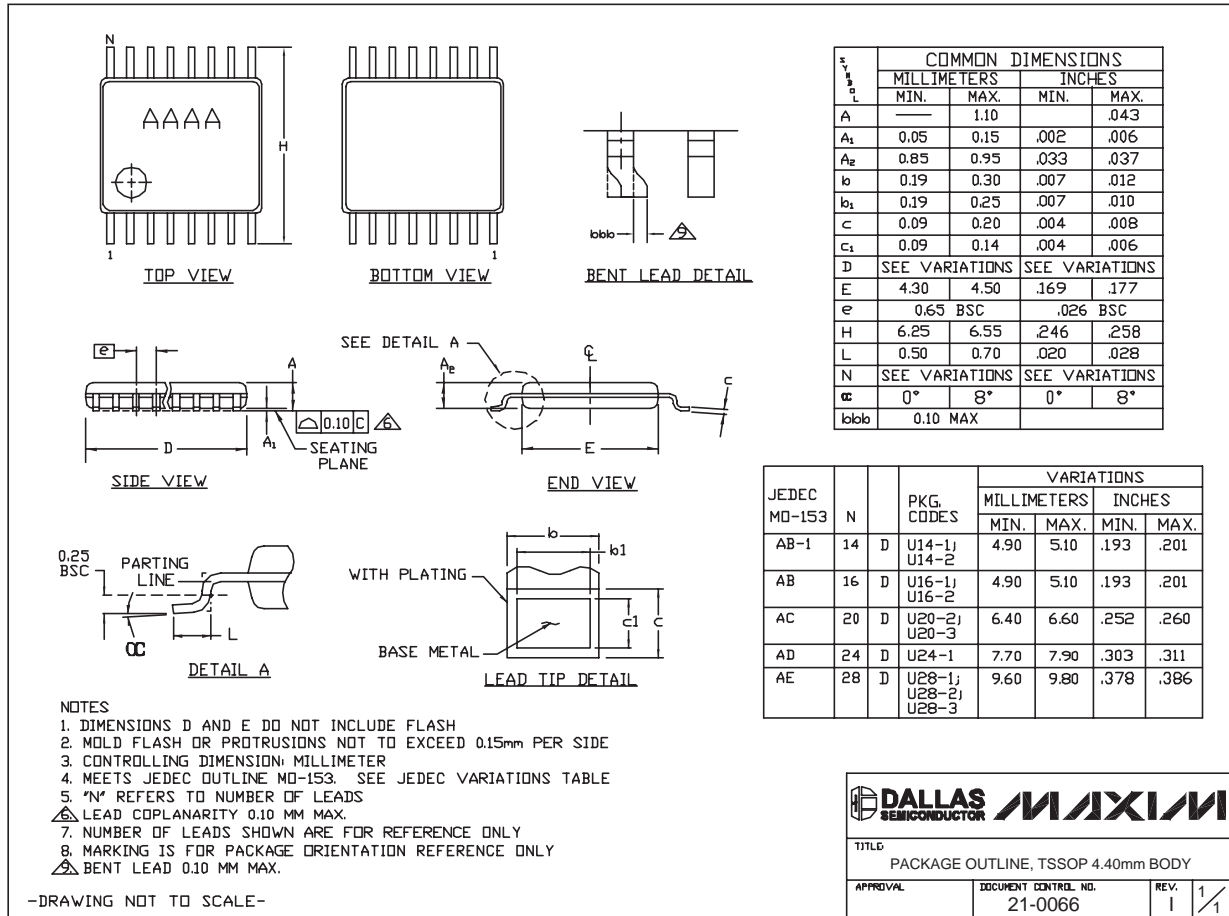
TRANSISTOR COUNT: 1467  
PROCESS: BICMOS

# +2.35V to +5.5V, 1 $\mu$ A, 2Tx/2Rx RS-232 Transceivers with $\pm$ 15kV ESD-Protected I/O and Logic Pins

**MAX3380E/MAX3381E**

## Package Information (continued)

(The package drawing(s) in this data sheet may not reflect the most current specifications. For the latest package outline information, go to [www.maxim-ic.com/packages](http://www.maxim-ic.com/packages).)



Maxim cannot assume responsibility for use of any circuitry other than circuitry entirely embodied in a Maxim product. No circuit patent licenses are implied. Maxim reserves the right to change the circuitry and specifications without notice at any time.

14 **Maxim Integrated Products, 120 San Gabriel Drive, Sunnyvale, CA 94086 408-737-7600**

© 2001 Maxim Integrated Products

**MAXIM** is a registered trademark of Maxim Integrated Products.

## X-ON Electronics

Largest Supplier of Electrical and Electronic Components

*Click to view similar products for [RS-232 Interface IC category](#):*

*Click to view products by [Maxim manufacturer](#):*

Other Similar products are found below :

[062191EB](#) [CH438L](#) [LT1039CN](#) [LTC1327CNW](#) [MAX3386ECPWR](#) [TRS222IDWR](#) [MAX232INE4](#) [MAX3232CPW](#) [MAX204CWE+](#)  
[TRS3243EIDWR](#) [TRS3232EIDWR](#) [SN65C3232EDWR](#) [ADM208ARZ-REEL](#) [LT1780CSW#PBF](#) [LT1237CSW#PBF](#) [LT1281AISW#PBF](#)  
[LTC1337CSW#PBF](#) [LT1180ACN#PBF](#) [LTC1343CGW#PBF](#) [LT1237CNW#PBF](#) [LT1039CN#PBF](#) [LT1032CSW#PBF](#) [LT1130ACSW#PBF](#)  
[LTC1349ISW#PBF](#) [LT1032ISW#PBF](#) [LTM2882IY-3#PBF](#) [LT1140ACN#PBF](#) [LTC1384IG#PBF](#) [LTC1383CS#PBF](#) [LT1280AIN#PBF](#)  
[LT1080ISW#PBF](#) [LTC2845IG#PBF](#) [LTC1383CN#PBF](#) [LTC2845CG#PBF](#) [LTC2846CG#PBF](#) [LTC1384CG#PBF](#) [LT1781IS#PBF](#)  
[LT1081IN#PBF](#) [LT1131ACNW](#) [LT1131ACSW](#) [SN75188DE4](#) [LTC1350CNW](#) [MAX3209EEUU+T](#) [AD7306AR](#) [AD7306ARZ](#) [AD7306JNZ](#)  
[AD7306JRZ](#) [ADM3311EARSZ-REEL](#) [ADM3310EACPZ-REEL7](#) [ADM3202ARUZ-REEL7](#)