

# MAX3535E/MXL1535E

## +3V to +5V, 2500VRMS Isolated RS-485/RS-422 Transceivers with ±15kV ESD Protection

### General Description

The MAX3535E/MXL1535E isolated RS-485/RS-422 full-duplex transceivers provide 2500VRMS of galvanic isolation between the RS-485/RS-422 side and the processor or control logic side. These devices allow fast, 1000kbps communication across an isolation barrier when the common-mode voltages (i.e., the ground potentials) on either side of the barrier are subject to large differences. Isolation is achieved through integrated high-voltage capacitors. The MAX3535E/MXL1535E also feature a 420kHz transformer driver that allows power transfer to the RS-485 side using an external transformer.

The MAX3535E/MXL1535E include one differential driver, one receiver, and internal circuitry to send the RS-485 signals and control signals across the isolation barrier (including the isolation capacitors). The MAX3535E/MXL1535E RS-485 receivers are 1/8 unit load, allowing up to 256 devices on the same bus.

The MAX3535E/MXL1535E feature true fail-safe circuitry. The driver outputs and the receiver inputs are protected from ±15kV electrostatic discharge (ESD) on the interface side, as specified in the Human Body Model (HBM).

The MAX3535E/MXL1535E feature driver slew-rate select that minimizes electromagnetic interference (EMI) and reduces reflections. The driver outputs are short-circuit and overvoltage protected. Other features are hot-swap capability and isolation-barrier fault detection.

The MAX3535E operates with a single +3V to +5.5V power supply. The improved secondary supply range of the MAX3535E allows the use of step-down transformers for +5V operation, resulting in considerable power savings. The MXL1535E operates with a single +4.5V to +5.5V power supply. The MXL1535E is a function/pin-compatible improvement of the LTC1535. The MAX3535E/MXL1535E are available over the commercial 0°C to +70°C and extended -40°C to +85°C temperature ranges.

### Applications

- Isolated RS-485 Systems
- Systems with Large Common-Mode Voltages
- Industrial-Control Local Area Networks
- Telecommunications Systems

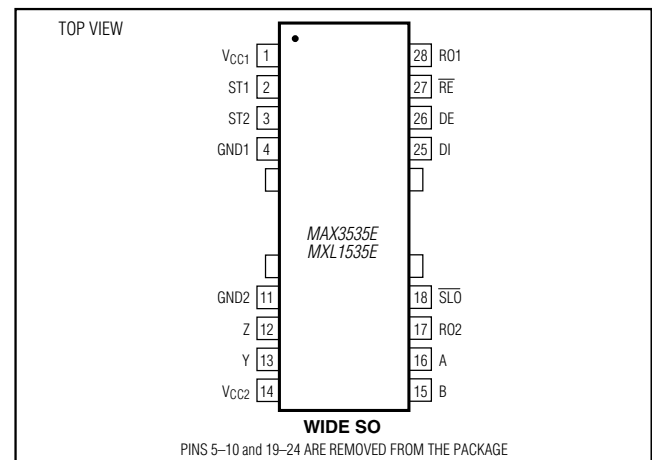
### Features

- ◆ 2500VRMS RS-485 Bus Isolation Using On-Chip High-Voltage Capacitors
- ◆ 1000kbps Full-Duplex RS-485/RS-422 Communication
- ◆ +3V to +5.5V Power-Supply Voltage Range (MAX3535E)
- ◆ +4.5V to +5.5V Power-Supply Voltage Range (MXL1535E)
- ◆ 1/8 Unit Receiver Load, Allowing 256 Devices on Bus
- ◆ ±15kV ESD Protection Using HBM
- ◆ Pin-Selectable Slew-Rate Limiting Controls EMI
- ◆ Hot-Swap-Protected Driver-Enable Input
- ◆ Undervoltage Lockout
- ◆ Isolation-Barrier Fault Detection
- ◆ Short-Circuit Protected
- ◆ Thermal Shutdown
- ◆ Open-Line and Shorted-Line Fail-Safe Receiver Inputs

### Ordering Information

| PART        | TEMP RANGE     | PIN-PACKAGE | POWER-SUPPLY RANGE (V) |
|-------------|----------------|-------------|------------------------|
| MAX3535ECWI | 0°C to +70°C   | 28 Wide SO  | +3.0 to +5.5           |
| MAX3535EEWI | -40°C to +85°C | 28 Wide SO  | +3.0 to +5.5           |
| MXL1535ECWI | 0°C to +70°C   | 28 Wide SO  | +4.5 to +5.5           |
| MXL1535EEWI | -40°C to +85°C | 28 Wide SO  | +4.5 to +5.5           |

### Pin Configuration



For pricing, delivery, and ordering information, please contact Maxim Direct at 1-888-629-4642, or visit Maxim's website at [www.maximintegrated.com](http://www.maximintegrated.com).

# MAX3535E/MXL1535E

## +3V to +5V, 2500VRMS Isolated RS-485/RS-422 Transceivers with ±15kV ESD Protection

### ABSOLUTE MAXIMUM RATINGS

Logic Side—All Voltages Referenced to GND1.

V<sub>CC1</sub> .....-0.3V to +6V

$\overline{RE}$ , DE, DI .....-0.3V to +6V

RO1, ST1, ST2 .....-0.3V to (V<sub>CC1</sub> + 0.3V)

Isolated Side—All Voltages Referenced to GND2.

V<sub>CC2</sub> .....-0.3V to +8V

SLO .....-0.3V to (V<sub>CC2</sub> + 0.3V)

A, B .....±14V

RO2 .....-0.3V to the lower of (V<sub>CC2</sub> + 0.3V) and +3.4V

Y, Z .....-8V to +13V

Digital Outputs Maximum Current

RO1, RO2 .....±20mA

Y, Z Maximum Current .....Short-Circuit Protected

ST1, ST2 Maximum Current .....±300mA

Continuous Power Dissipation (T<sub>A</sub> = +70°C)

28-Pin Wide SO

(derate 9.5mW/°C above +70°C) .....750mW

Operating Temperature Range

MXL1535ECWI, MAX3535ECWI .....0°C to +70°C

MXL1535EEWI, MAX3535EEWI .....-40°C to +85°C

Junction Temperature .....+150°C

Storage Temperature Range .....-65°C to +150°C

Lead Temperature (soldering, 10s) .....+300°C

Stresses beyond those listed under "Absolute Maximum Ratings" may cause permanent damage to the device. These are stress ratings only, and functional operation of the device at these or any other conditions beyond those indicated in the operational sections of the specifications is not implied. Exposure to absolute maximum rating conditions for extended periods may affect device reliability.

### DC ELECTRICAL CHARACTERISTICS TABLE (MAX3535E)

(V<sub>CC1</sub> = +3.0V to +5.5V, V<sub>CC2</sub> = +3.13V to +7.5V, T<sub>A</sub> = -40°C to +85°C, unless otherwise noted. Typical values are at V<sub>CC1</sub> = +3.3V, V<sub>CC2</sub> = +5V, T<sub>A</sub> = +25°C.)

| PARAMETER  | SYMBOL            | CONDITIONS  | MIN  | TYP  | MAX  | UNITS |
|--|-------------------|---|------|------|------|-------|
| <b>LOGIC-SIDE SUPPLY (V<sub>CC1</sub>, GND1)</b>         |                   |   |      |      |      |       |
| Logic-Side Supply Voltage                                | V <sub>CC1</sub>  |   | 3.0  |      | 5.5  | V     |
| Logic-Side Supply Current                                | I <sub>CC1</sub>  | Transformer not driven, ST1 and ST2 unconnected, $\overline{RE}$ = low, DE = high, f <sub>DATA</sub> = 0, RO1 = no load |      | 5.9  | 13   | mA    |
| V <sub>CC1</sub> Undervoltage-Lockout Falling Trip       | V <sub>UVL1</sub> |   | 2.53 | 2.69 | 2.85 | V     |
| V <sub>CC1</sub> Undervoltage-Lockout Rising Trip        | V <sub>UVH1</sub> |   | 2.63 | 2.80 | 2.97 | V     |
| <b>LOGIC INPUTS (DI, DE, <math>\overline{RE}</math>)</b> |                   |   |      |      |      |       |
| Input High Voltage, DE, DI, $\overline{RE}$              | V <sub>IH</sub>   | V <sub>IH</sub> is measured with respect to GND1  | 2.0  |      |      | V     |
| Input Low Voltage, DE, DI, $\overline{RE}$               | V <sub>IL</sub>   | V <sub>IL</sub> is measured with respect to GND1  |      |      | 0.8  | V     |
| Logic-Side Input Current, DE, DI                         | I <sub>INC</sub>  |   |      |      | ±2   | μA    |
| <b>LOGIC OUTPUTS (RO1, <math>\overline{RE}</math>)</b>   |                   |   |      |      |      |       |
| Receiver-Output High Voltage (RO1)                       | V <sub>RO1H</sub> | I <sub>SOURCE</sub> = 4mA, V <sub>CC1</sub> = +4.5V   | 3.7  |      |      | V     |
|  |                   | I <sub>SOURCE</sub> = 4mA, V <sub>CC1</sub> = +3V   | 2.4  |      |      |       |
| Receiver-Output Low Voltage (RO1)                        | V <sub>RO1L</sub> | I <sub>SINK</sub> = 4mA, V <sub>CC1</sub> = +4.5V   |      |      | 0.4  | V     |
|  |                   | I <sub>SINK</sub> = 4mA, V <sub>CC1</sub> = +3V   |      |      | 0.4  |       |
| Receiver-Output (RO1) Leakage Current                    | I <sub>OZR</sub>  | $\overline{RE}$ = high, V <sub>CC1</sub> = +5.5V, 0 ≤ V <sub>RO1</sub> ≤ V <sub>CC1</sub>                               |      |      | ±1   | μA    |
| $\overline{RE}$ Low Output Current for Fault Detect      | I <sub>OL</sub>   | $\overline{RE}$ = +0.4V, fault not asserted   | 40   | 60   | 80   | μA    |

# MAX3535E/MXL1535E

## +3V to +5V, 2500VRMS Isolated RS-485/RS-422 Transceivers with ±15kV ESD Protection

### DC ELECTRICAL CHARACTERISTICS TABLE (MAX3535E) (continued)

(V<sub>CC1</sub> = +3.0V to +5.5V, V<sub>CC2</sub> = +3.13V to +7.5V, T<sub>A</sub> = -40°C to +85°C, unless otherwise noted. Typical values are at V<sub>CC1</sub> = +3.3V, V<sub>CC2</sub> = +5V, T<sub>A</sub> = +25°C.)

| PARAMETER   | SYMBOL            | CONDITIONS   | MIN                  | TYP  | MAX  | UNITS |
|---|-------------------|--|----------------------|------|------|-------|
| $\overline{RE}$ High Output Current for Fault Detect                                      | I <sub>OH</sub>   | $\overline{RE} = V_{CC1} - 0.5V$ , fault asserted  | -140                 | -100 | -60  | μA    |
| <b>TRANSFORMER DRIVER (ST1, ST2)</b>  |                   |  |                      |      |      |       |
| DC-Converter Switching Frequency (ST1, ST2)   | f <sub>sw</sub>   | ST1, ST2, not loaded   | 290                  | 460  | 590  | kHz   |
| DC-Converter Total Impedance R <sub>OH</sub> + R <sub>OL</sub> (ST1, ST2)                 | R <sub>OHL</sub>  | V <sub>CC1</sub> = +4.5V, Figure 13  |                      | 1.6  | 2.6  | Ω     |
|   |                   | V <sub>CC1</sub> = +3V, Figure 13  |                      | 1.8  | 2.9  |       |
| ST1, ST2 Duty Cycle   |                   | ST1, ST2, not loaded   | 44                   | 50   | 56   | %     |
| <b>ISOLATED-SIDE SUPPLY (V<sub>CC2</sub>, GND2)</b>                                       |                   |  |                      |      |      |       |
| Isolated-Side Supply Voltage  | V <sub>CC2</sub>  |  | 3.13                 |      | 7.50 | V     |
| Isolated-Side Supply Current  | I <sub>CC2</sub>  | f <sub>DATA</sub> = 0, $\overline{SLO}$ floating, R <sub>O2</sub> = no load, A, B floating, Figure 1 | R <sub>L</sub> = 27Ω | 56   | 70   | mA    |
|   |                   |  | R <sub>L</sub> = ∞   | 10   | 16   |       |
| V <sub>CC2</sub> Undervoltage-Lockout Falling Trip  | V <sub>UVL2</sub> |  | 2.68                 | 2.85 | 3.02 | V     |
| V <sub>CC2</sub> Undervoltage-Lockout Rising Trip   | V <sub>UVH2</sub> |  | 2.77                 | 2.95 | 3.13 | V     |
| <b>DRIVER OUTPUTS (Y, Z)</b>  |                   |  |                      |      |      |       |
| Driver-Output High Voltage  | V <sub>DOH</sub>  | No load, V <sub>DOH</sub> is measured with respect to GND2   |                      |      | 4    | V     |
| Differential Driver Output  | V <sub>OD</sub>   | R <sub>L</sub> = 50Ω (RS-422), V <sub>CC2</sub> = +3.13V, Figure 1                                   | 2.0                  | 2.35 |      | V     |
|   |                   | R <sub>L</sub> = 27Ω (RS-485), V <sub>CC2</sub> = +3.13V, Figure 1                                   | 1.5                  | 1.95 |      |       |
| Driver Common-Mode Output Voltage   | V <sub>OC</sub>   | R <sub>L</sub> = 27Ω or 50Ω, V <sub>OC</sub> is measured with respect to GND2, Figure 1              | 1.0                  |      | 3.0  | V     |
| Change in Magnitude of Driver Differential Output Voltage for Complementary Output States | ΔV <sub>OD</sub>  | R <sub>L</sub> = 27Ω or 50Ω, Figure 1  |                      |      | ±0.2 | V     |
| Change in Magnitude of Driver Common-Mode Output Voltage for Complementary Output States  | ΔV <sub>OC</sub>  | R <sub>L</sub> = 27Ω or 50Ω, Figure 1  |                      |      | ±0.2 | V     |
| Driver Short-Circuit Output Current   | I <sub>OSD</sub>  | Driver enabled (DE = 1)<br>DI = high, V <sub>Y</sub> > -7V<br>DI = low, V <sub>Z</sub> > -7V         | -250                 |      |      | mA    |
|   |                   | Driver enabled (DE = 1)<br>DI = high, V <sub>Z</sub> < +12V<br>DI = low, V <sub>Y</sub> < +12V       |                      |      | +250 |       |

# MAX3535E/MXL1535E

## +3V to +5V, 2500VRMS Isolated RS-485/RS-422 Transceivers with ±15kV ESD Protection

### DC ELECTRICAL CHARACTERISTICS TABLE (MAX3535E) (continued)

(V<sub>CC1</sub> = +3.0V to +5.5V, V<sub>CC2</sub> = +3.13V to +7.5V, T<sub>A</sub> = -40°C to +85°C, unless otherwise noted. Typical values are at T<sub>A</sub> = +25°C, V<sub>CC1</sub> = +3.3V, V<sub>CC2</sub> = +5V).

| PARAMETER                                    | SYMBOL            | CONDITIONS  |   | MIN  | TYP    | MAX  | UNITS            |
|--|-------------------|---|---|------|--------|------|------------------|
| Driver Short-Circuit Foldback Output Current | I <sub>OSFD</sub> | Driver enabled (DE = 1)                                       | DI = high<br>-7V < V <sub>Y</sub> < min[(V <sub>CC2</sub> - 1V) + 2V] |      |        | -25  | μA               |
|  |                   |   | DI = low<br>-7V < V <sub>Z</sub> < min[(V <sub>CC2</sub> - 1V) + 2V]  |      |        |      |                  |
|  |                   |   | DI = high<br>+1V < V <sub>Z</sub> < +12V                              | +25  |        |      |                  |
|  |                   |   | DI = low<br>+1V < V <sub>Y</sub> < +12V                               |      |        |      |                  |
| <b>SLEW-RATE SELECT (SLO)</b>                |                   |   |   |      |        |      |                  |
| Input High Voltage $\overline{\text{SLO}}$   | V <sub>IHS</sub>  | V <sub>IHS</sub> is measured with respect to GND2             |   | 3.0  |        |      | V                |
| Input Low Voltage $\overline{\text{SLO}}$    | V <sub>ILS</sub>  | V <sub>ILS</sub> is measured with respect to GND2             |   |      |        | 1.0  | V                |
| $\overline{\text{SLO}}$ Pullup Resistor      | R <sub>SLO</sub>  | V <sub>SLO</sub> = +3V  |   |      | 100    |      | kΩ               |
| <b>RECEIVER INPUTS (A, B)</b>                |                   |   |   |      |        |      |                  |
| Receiver Input Current                       | I <sub>AB</sub>   | V <sub>A</sub> or V <sub>B</sub> = +12V                       |   |      |        | +125 | μA               |
|  |                   | V <sub>A</sub> or V <sub>B</sub> = -7V                        |   |      |        | -100 |                  |
| Receiver Differential Threshold Voltage      | V <sub>TH</sub>   | -7V ≤ V <sub>CM</sub> ≤ +12V                                  |   | -200 | -90    | -10  | mV               |
| Receiver-Input Hysteresis                    | ΔV <sub>TH</sub>  | -7V ≤ V <sub>CM</sub> ≤ +12V, T <sub>A</sub> = 0°C to +70°C   |   | 10   | 30     | 70   | mV               |
|  |                   | -7V ≤ V <sub>CM</sub> ≤ +12V, T <sub>A</sub> = -40°C to +85°C |   | 5    | 30     | 70   |                  |
| Receiver-Input Resistance                    | R <sub>IN</sub>   | -7V ≤ V <sub>CM</sub> ≤ +12V (Note 1)                         |   | 96   |        | 200  | kΩ               |
| Receiver-Input Open Circuit Voltage          | V <sub>OAB</sub>  |   |   |      | 2.6    |      | V                |
| <b>RECEIVER OUTPUT (RO2)</b>                 |                   |   |   |      |        |      |                  |
| Receiver-Output (RO2) High Voltage           | V <sub>RO2H</sub> | I <sub>SOURCE</sub> = 4mA, V <sub>CC2</sub> = +3.13V          |   | 2.4  |        |      | V                |
| Receiver-Output (RO2) Low Voltage            | V <sub>RO2L</sub> | I <sub>SINK</sub> = 4mA, V <sub>CC2</sub> = +3.13V            |   |      |        | 0.4  | V                |
| <b>ISOLATION</b>                             |                   |   |   |      |        |      |                  |
| Isolation Voltage (Notes 2, 3)               | V <sub>ISO</sub>  | 60s   |   | 2500 |        |      | V <sub>RMS</sub> |
|  |                   | 1s  |   | 3000 |        |      |                  |
| Isolation Resistance                         | R <sub>ISO</sub>  | T <sub>A</sub> = +25°C, V <sub>ISO</sub> = 50V (Note 3)       |   | 100  | 10,000 |      | MΩ               |
| Isolation Capacitance                        | C <sub>ISO</sub>  | T <sub>A</sub> = +25°C  |   |      | 2      |      | pF               |
| ESD Protection                               |                   | Human Body Model (A, B, Y, Z)                                 |   |      | ±15    |      | kV               |

# MAX3535E/MXL1535E

## +3V to +5V, 2500VRMS Isolated RS-485/RS-422 Transceivers with ±15kV ESD Protection

### SWITCHING ELECTRICAL CHARACTERISTICS (MAX3535E)

(V<sub>CC1</sub> = +3.0V to +5.5V, V<sub>CC2</sub> = +3.13V to +7.5V, R<sub>L</sub> = 27Ω, C<sub>L</sub> = 50pF, T<sub>A</sub> = -40°C to +85°C, unless otherwise noted. Typical values are at V<sub>CC1</sub> = +3.3V, V<sub>CC2</sub> = +5V, T<sub>A</sub> = +25°C.)

| PARAMETER  | SYMBOL                                   | CONDITIONS   | MIN | TYP  | MAX  | UNITS |
|--|--|--|-----|------|------|-------|
| Data Sample Jitter                                       | t <sub>J</sub>                           | Figure 6   |     | 220  | 285  | ns    |
| Maximum Data Rate  | f <sub>DATA</sub>                        | t <sub>J</sub> = 25% of data cell, receiver and driver,<br>SLO = high (Note 4) | 877 | 1136 |      | kbps  |
| Self-Oscillating Frequency                               | f <sub>SOS</sub>                         | SLO = high, Figure 5   | 250 | 450  |      | kHz   |
|  |  | SLO = low, Figure 5  | 200 | 375  |      |       |
| Driver-Differential Output Delay Time                    | t <sub>DD</sub>                          | SLO = high, Figures 2, 6   |     | 490  | 855  | ns    |
|  |  | SLO = low, Figures 2, 6  |     | 850  | 1560 |       |
| Driver-Differential Output Transition Time               | t <sub>TD</sub>                          | SLO = high, Figures 2, 6   |     | 30   | 100  | ns    |
|  |  | SLO = low, Figures 2, 6  | 120 | 220  | 1000 |       |
| Driver-Output Enable Time                                | t <sub>PZL</sub> , t <sub>PZH</sub>      | SLO = high, DI = high or low,<br>Figures 3, 7                                  |     | 730  | 1400 | ns    |
| Driver-Output Disable Time                               | t <sub>PHZ</sub> , t <sub>PLZ</sub>      | SLO = high, DI = high or low,<br>Figures 3, 7                                  |     | 720  | 1300 | ns    |
| Receiver-Propagation Delay Time to RO1                   | t <sub>PLH1</sub> ,<br>t <sub>PHL1</sub> | Figures 4, 8   |     | 440  | 855  | ns    |
| Receiver-Propagation Delay Time to RO2                   | t <sub>PLH2</sub> ,<br>t <sub>PHL2</sub> | Figures 4, 8   |     | 40   |      | ns    |
| RO1, RO2 Rise or Fall Time                               | t <sub>R</sub> , t <sub>F</sub>          | Figures 4, 8   |     | 40   |      | ns    |
| Receiver-Output Enable Time RO1                          | t <sub>ZL</sub> , t <sub>ZH</sub>        | Figures 4, 9   |     | 30   |      | ns    |
| Receiver-Output Disable Time RO1                         | t <sub>LZ</sub> , t <sub>HZ</sub>        | Figures 4, 9   |     | 30   |      | ns    |
| Initial Startup Time (from Internal Communication Fault) |  | (Note 5)   |     | 1200 |      | ns    |
| Internal Communication Timeout Fault Time                |  | (Note 5)   |     | 1200 |      | ns    |

# MAX3535E/MXL1535E

## +3V to +5V, 2500V<sub>RMS</sub> Isolated RS-485/RS-422 Transceivers with ±15kV ESD Protection

### ELECTRICAL CHARACTERISTICS (MXL1535E)

(V<sub>CC1</sub> = +4.5V to +5.5V, V<sub>CC2</sub> = +4.5V to +7.5V, T<sub>A</sub> = -40°C to +85°C, unless otherwise noted. Typical values are at V<sub>CC1</sub> = +5V, V<sub>CC2</sub> = +5V, T<sub>A</sub> = +25°C.)

| PARAMETER   | SYMBOL            | CONDITIONS   | MIN                  | TYP | MAX  | UNITS |
|---|-------------------|--|----------------------|-----|------|-------|
| Logic-Side Supply Voltage   | V <sub>CC1</sub>  |  | 4.5                  |     | 5.5  | V     |
| Isolated-Side Supply Voltage  | V <sub>CC2</sub>  |  | 4.5                  |     | 7.5  | V     |
| Logic-Side Supply Current   | I <sub>CC1</sub>  | Transformer not driven, ST1 and ST2 unconnected, $\overline{RE}$ = low, DE = high, f <sub>DATA</sub> = 0, RO1 = no load  |                      | 5.9 | 13   | mA    |
| Isolated-Side Supply Current  | I <sub>CC2</sub>  | f <sub>DATA</sub> = 0, $\overline{SLO}$ floating, RO2 = no load, A, B floating, Figure 1   | R <sub>L</sub> = 27Ω | 56  | 70   | mA    |
|   |                   |  | R <sub>L</sub> = ∞   | 10  | 16   |       |
| Differential Driver Output  | V <sub>OD</sub>   | R <sub>L</sub> = 50Ω (RS-422), V <sub>CC2</sub> = +4.5V, Figure 1  | 2.0                  | 3.0 | V    |       |
|   |                   | R <sub>L</sub> = 27Ω (RS-485), V <sub>CC2</sub> = +4.5V, Figure 1  | 1.5                  | 2.5 |      |       |
| Driver Output High Voltage  | V <sub>DOH</sub>  | No load, V <sub>DOH</sub> is measured with respect to GND2   |                      |     | 5.0  | V     |
| Driver Common-Mode Output Voltage   | V <sub>OC</sub>   | R <sub>L</sub> = 27Ω or 50Ω, V <sub>OC</sub> is measured with respect to GND2, Figure 1  | 1.0                  |     | 3.0  | V     |
| Change in Magnitude of Driver Differential Output Voltage for Complementary Output States | ΔV <sub>OD</sub>  | R <sub>L</sub> = 27Ω or 50Ω, Figure 1  |                      |     | ±0.2 | V     |
| Change in Magnitude of Driver Common-Mode Output Voltage for Complementary Output States  | ΔV <sub>OC</sub>  | R <sub>L</sub> = 27Ω or 50Ω, Figure 1  |                      |     | ±0.2 | V     |
| Driver Short-Circuit Output Current   | I <sub>OSD</sub>  | Driver enabled (DE = 1)<br>DI = high, V <sub>Y</sub> > -7V<br>DI = low, V <sub>Z</sub> > -7V   | -250                 |     | +250 | mA    |
|   |                   | Driver enabled (DE = 1)<br>DI = high, V <sub>Z</sub> < +12V<br>DI = low, V <sub>Y</sub> < +12V   |                      |     |      |       |
| Driver Short-Circuit Foldback Output Current  | I <sub>OSFD</sub> | Driver enabled (DE = 1)<br>DI = high<br>-7V < V <sub>Y</sub> < min[(V <sub>CC2</sub> - 1V) + 2V]<br>DI = low<br>-7V < V <sub>Z</sub> < min[(V <sub>CC2</sub> - 1V) + 2V] |                      |     | -25  | mA    |
|   |                   | Driver enabled (DE = 1)<br>DI = high<br>+1V < V <sub>Z</sub> < +12V<br>DI = low<br>+1V < V <sub>Y</sub> < +12V   | +25                  |     |      |       |

# MAX3535E/MXL1535E

## +3V to +5V, 2500VRMS Isolated RS-485/RS-422 Transceivers with ±15kV ESD Protection

### ELECTRICAL CHARACTERISTICS (MXL1535E) (continued)

(V<sub>CC1</sub> = +4.5V to +5.5V, V<sub>CC2</sub> = +4.5V to +7.5V, T<sub>A</sub> = -40°C to +85°C, unless otherwise noted. Typical values are at V<sub>CC1</sub> = +5V, V<sub>CC2</sub> = +5V, T<sub>A</sub> = +25°C.)

| PARAMETER                                   | SYMBOL            | CONDITIONS   | MIN  | TYP  | MAX   | UNITS |
|---|-------------------|--|------|------|-------|-------|
| Input High Voltage, DE, DI, $\overline{RE}$ | V <sub>IH</sub>   | V <sub>IH</sub> is measured with respect to GND1                     | 2.0  | 1.45 |       | V     |
| Input High Voltage, $\overline{SLO}$        | V <sub>IHS</sub>  | V <sub>IHS</sub> is measured with respect to GND2                    | 4.0  | 2.1  |       | V     |
| Input Low Voltage, DE, DI, $\overline{RE}$  | V <sub>IL</sub>   | V <sub>IL</sub> is measured with respect to GND1                     |      | 1.45 | 0.8   | V     |
| Input Low Voltage, $\overline{SLO}$         | V <sub>ILS</sub>  | V <sub>ILS</sub> is measured with respect to GND2                    |      | 2.1  | 1.0   | V     |
| Logic-Side Input Current, DE, DI            | I <sub>INC</sub>  |  |      |      | ±2    | μA    |
| Receiver Input Current                      | I <sub>AB</sub>   | V <sub>A</sub> or V <sub>B</sub> = +12V                              |      |      | +0.25 | mA    |
|   |                   | V <sub>A</sub> or V <sub>B</sub> = -7V                               |      |      | -0.20 |       |
| Receiver Differential Threshold Voltage     | V <sub>TH</sub>   | -7V ≤ V <sub>CM</sub> ≤ +12V   | -200 | -90  | -10   | mV    |
| Receiver-Input Hysteresis                   | ΔV <sub>TH</sub>  | -7V ≤ V <sub>CM</sub> ≤ +12V, T <sub>A</sub> = 0°C to +70°C          | 10   | 30   | 70    | mV    |
|   |                   | -7V ≤ V <sub>CM</sub> ≤ +12V, T <sub>A</sub> = -40°C to +85°C        | 5    | 30   | 70    |       |
| Receiver-Input Resistance                   | R <sub>IN</sub>   | -7V ≤ V <sub>CM</sub> ≤ +12V (Note 1)                                | 96   | 140  | 200   | kΩ    |
| Receiver-Input Open-Circuit Voltage         | V <sub>OAB</sub>  |  |      | 2.6  |       | V     |
| Receiver-Output High Voltage (RO1)          | V <sub>RO1H</sub> | I <sub>SOURCE</sub> = 4mA, V <sub>CC1</sub> = +4.5V                  | 3.7  | 4.3  |       | V     |
| Receiver-Output Low Voltage (RO1)           | V <sub>RO1L</sub> | I <sub>SINK</sub> = 4mA, V <sub>CC1</sub> = +4.5V                    |      | 0.4  | 0.8   | V     |
| Driver-Output Leakage Current               | I <sub>OZ</sub>   | DE = low<br>-7V < V <sub>Y</sub> < +12V, -7V < V <sub>Z</sub> < +12V |      | ±30  |       | μA    |
| Driver-Output Leakage Current               | I <sub>OZ</sub>   | DE = low<br>-7V < V <sub>Y</sub> < +12V, -7V < V <sub>Z</sub> < +12V |      | ±30  | ±100  | μA    |
| Receiver-Output (RO2) High Voltage          | V <sub>RO2H</sub> | I <sub>SOURCE</sub> = 4mA, V <sub>CC2</sub> = +4.5V                  | 2.8  | 3.4  |       | V     |
| Receiver-Output (RO2) Low Voltage           | V <sub>RO2L</sub> | I <sub>SINK</sub> = 4mA, V <sub>CC2</sub> = +4.5V                    |      | 0.4  | 0.8   | V     |
| DC-Converter Switching Frequency (ST1, ST2) | f <sub>sw</sub>   | ST1, ST2 not loaded  | 290  | 460  | 590   | kHz   |

# MAX3535E/MXL1535E

## +3V to +5V, 2500VRMS Isolated RS-485/RS-422 Transceivers with ±15kV ESD Protection

### ELECTRICAL CHARACTERISTICS (MXL1535E) (continued)

(V<sub>CC1</sub> = +4.5V to +5.5V, V<sub>CC2</sub> = +4.5V to +7.5V, T<sub>A</sub> = -40°C to +85°C, unless otherwise noted. Typical values are at V<sub>CC1</sub> = +5V, V<sub>CC2</sub> = +5V, T<sub>A</sub> = +25°C.)

| PARAMETER   | SYMBOL            | CONDITIONS  | MIN  | TYP  | MAX  | UNITS            |
|---|-------------------|---|------|------|------|------------------|
| DC-Converter Impedance High<br>ST1, ST2                 | R <sub>OH</sub>   | Figure 13   |      | 4    | 6    | Ω                |
| DC-Converter Impedance Low<br>ST1, ST2                  | R <sub>OL</sub>   | Figure 13   |      | 2.5  | 5    | Ω                |
| $\overline{RE}$ Low Output Current for Fault<br>Detect  | I <sub>OL</sub>   | $\overline{RE}$ = sink current,<br>$\overline{RE}$ = +0.4V, fault not asserted                  | -40  | -50  | -80  | μA               |
| $\overline{RE}$ High Output Current for Fault<br>Detect | I <sub>OH</sub>   | $\overline{RE}$ = source current,<br>$\overline{RE}$ = +V <sub>CC1</sub> - 0.5V, fault asserted | 60   | 100  | 140  | μA               |
| V <sub>CC2</sub> Undervoltage-Lockout<br>Falling Trip   | V <sub>UVL2</sub> |   | 2.68 | 2.85 | 3.02 | V                |
| V <sub>CC2</sub> Undervoltage-Lockout<br>Rising Trip    | V <sub>UVH2</sub> |   | 2.77 | 2.95 | 3.13 | V                |
| V <sub>CC1</sub> Undervoltage-Lockout<br>Falling Trip   | V <sub>UVL1</sub> |   | 2.53 | 2.69 | 2.85 | V                |
| V <sub>CC1</sub> Undervoltage-Lockout<br>Rising Trip    | V <sub>UVH1</sub> |   | 2.63 | 2.80 | 2.97 | V                |
| Isolation Voltage (Note 2)                              | V <sub>ISO</sub>  | 60s   | 2500 |      |      | V <sub>RMS</sub> |
|   |                   | 1s  | 3000 |      |      |                  |
| $\overline{SLO}$ Pullup Resistor                        | R <sub>SLO</sub>  | V <sub>SLO</sub> = +3V  |      | 100  |      | kΩ               |



# MAX3535E/MXL1535E

## +3V to +5V, 2500VRMS Isolated RS-485/RS-422 Transceivers with ±15kV ESD Protection

### SWITCHING ELECTRICAL CHARACTERISTICS (MXL1535E)

(V<sub>CC1</sub> = +4.5V to +5.5V, V<sub>CC2</sub> = +4.5V to +7.5V, R<sub>L</sub> = 27Ω, C<sub>L</sub> = 50pF, T<sub>A</sub> = -40°C to +85°C, unless otherwise noted. Typical values are at V<sub>CC1</sub> = +5V, V<sub>CC2</sub> = +5V, T<sub>A</sub> = +25°C.)

| PARAMETER  | SYMBOL                                | CONDITIONS  | MIN | TYP  | MAX  | UNITS |
|--|---------------------------------------|---|-----|------|------|-------|
| Data Sample Jitter                                       | t <sub>J</sub>                        | Figure 6  |     | 220  | 285  | ns    |
| Max Baud Rate  | f <sub>MAX</sub>                      | $\overline{SLO}$ = high, Figure 5, (Note 6)             | 250 | 450  |      | kBd   |
| Driver-Differential Output Delay Time                    | t <sub>DD</sub>                       | $\overline{SLO}$ = high, Figures 2, 6                   |     | 430  | 855  | ns    |
|  |                                       | $\overline{SLO}$ = low, Figures 2, 6                    |     | 850  | 1560 |       |
| Driver-Differential Output Transition Time               | t <sub>TD</sub>                       | $\overline{SLO}$ = high, V <sub>CC2</sub> = +4.5V       |     | 45   | 100  | ns    |
|  |                                       | $\overline{SLO}$ = low, V <sub>CC2</sub> = +4.5V        | 150 | 260  | 1000 |       |
| Driver-Output Enable Time                                | t <sub>PZL</sub> , t <sub>PZH</sub>   | $\overline{SLO}$ = high, DI = high or low, Figure 3, 7  |     | 730  | 1400 | ns    |
| Driver-Output Disable Time                               | t <sub>PHZ</sub> , t <sub>PLZ</sub>   | $\overline{SLO}$ = high, DI = high or low, Figures 3, 7 |     | 720  | 1300 | ns    |
| Receiver-Propagation Delay Time to RO1                   | t <sub>PLH1</sub> , t <sub>PHL1</sub> | Figures 4, 8  |     | 440  | 855  | ns    |
| Receiver-Propagation Delay Time to RO2                   | t <sub>PLH2</sub> , t <sub>PHL2</sub> | Figures 4, 8  |     | 40   |      | ns    |
| RO1, RO2 Rise or Fall Time                               | t <sub>R</sub> , t <sub>F</sub>       | Figures 4, 8  |     | 40   |      | ns    |
| Receiver-Output Enable Time RO1                          | t <sub>ZL</sub> , t <sub>ZH</sub>     | Figures 4, 9  |     | 30   |      | ns    |
| Receiver-Output Disable Time RO1                         | t <sub>LZ</sub> , t <sub>HZ</sub>     | Figures 4, 9  |     | 30   |      | ns    |
| Initial Startup Time (from Internal Communication Fault) |                                       | (Note 5)  |     | 1200 |      | ns    |
| Internal Communication Timeout Fault Time                |                                       | (Note 5)  |     | 1200 |      | ns    |
| ST1, ST2 Duty Cycle                                      |                                       | 0°C to +70°C  |     |      | 56   | %     |
|  |                                       | -40°C to +85°C  |     |      | 57   |       |
| ESD Protection   |                                       | Human Body Model (A, B, Y, Z)                           |     | ±15  |      | kV    |

**Note 1:** Receiver inputs are 96kΩ minimum resistance, which is 1/8 unit load.

**Note 2:** 60s test result is guaranteed by correlation from 1s result.

**Note 3:** V<sub>ISO</sub> is the voltage difference between GND1 and GND2.

**Note 4:** The maximum data rate is specified using the maximum jitter value according to the formula: data rate = 1 / (4t<sub>J</sub>). See the *Skew* section for more information.

**Note 5:** Initial startup time is the time for communication to recover after a fault condition. Internal communication timeout fault time is the time before a fault is indicated on RE, after internal communication has stopped.

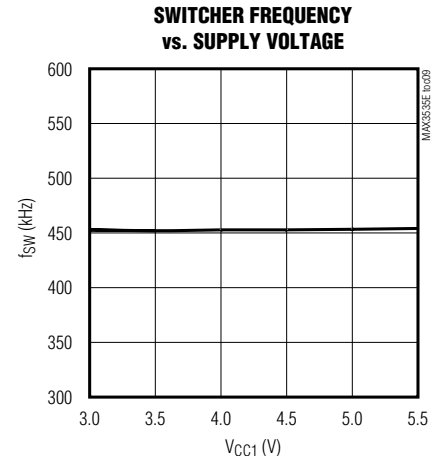
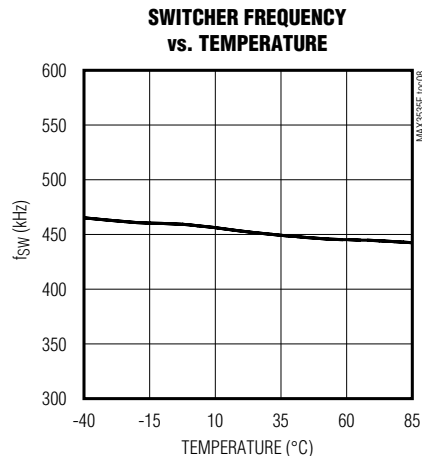
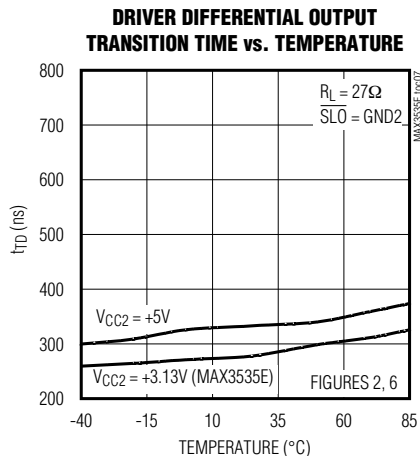
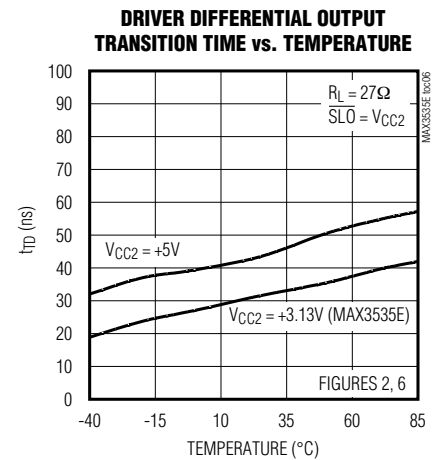
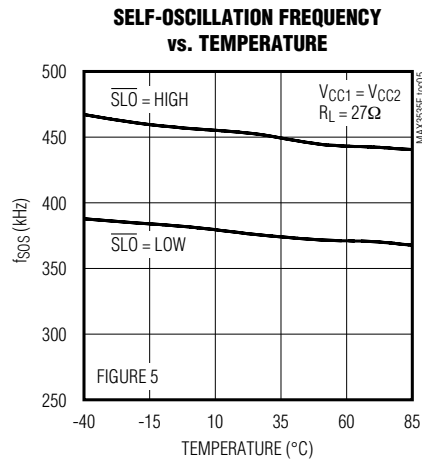
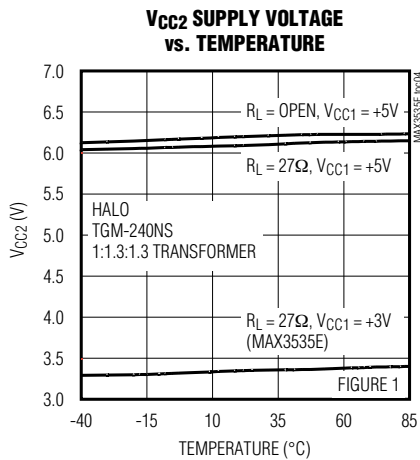
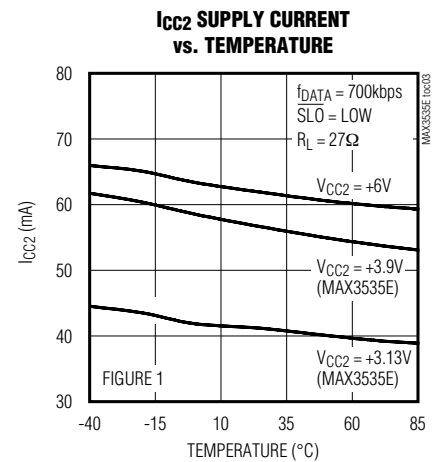
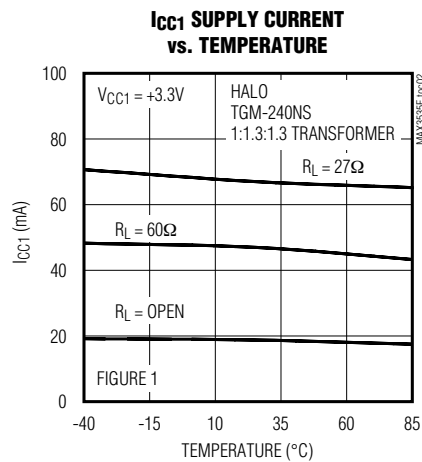
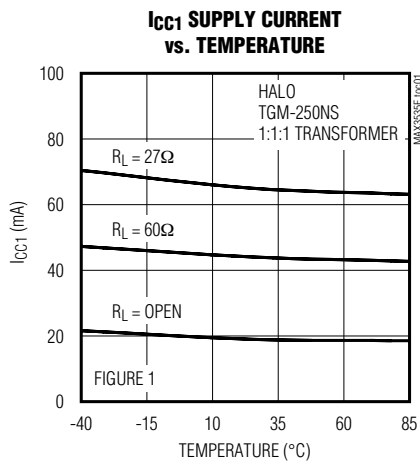
**Note 6:** Bd = 2 bits.

# MAX3535E/MXL1535E

## +3V to +5V, 2500V<sub>RMS</sub> Isolated RS-485/RS-422 Transceivers with ±15kV ESD Protection

### Typical Operating Characteristics

( $V_{CC1} = +5V$ ,  $C_L = 50pF$  (Figure 1), unless otherwise noted.)

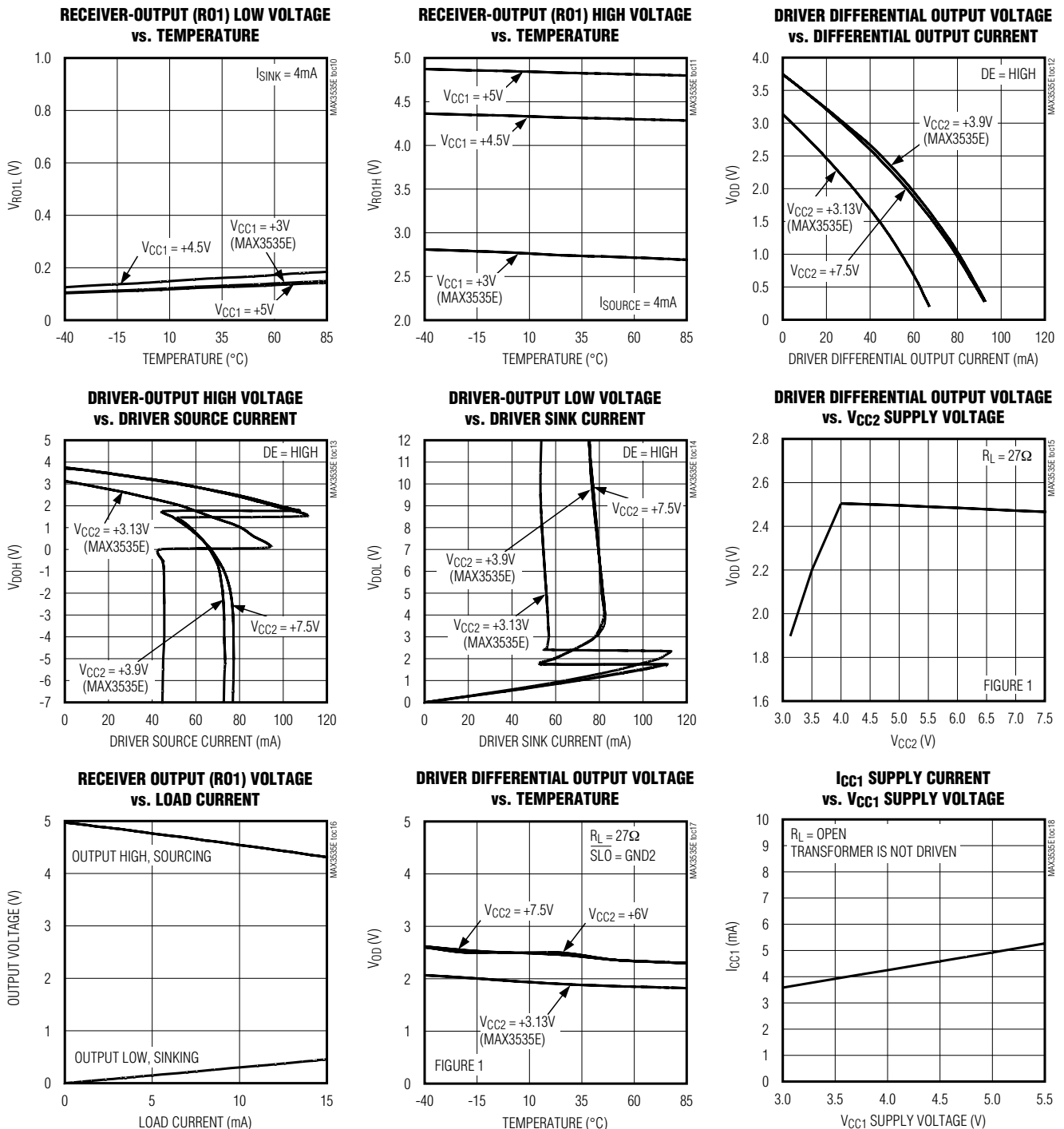


# MAX3535E/MXL1535E

## +3V to +5V, 2500VRMS Isolated RS-485/RS-422 Transceivers with ±15kV ESD Protection

### Typical Operating Characteristics (continued)

( $V_{CC1} = +5V$ ,  $C_L = 50pF$  (Figure 1), unless otherwise noted.)



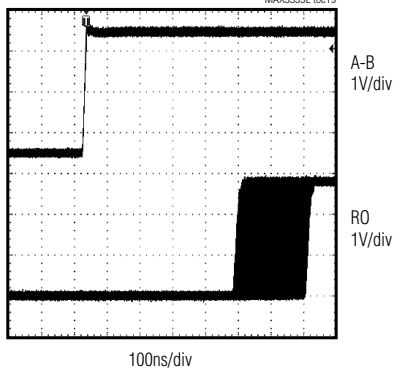
# MAX3535E/MXL1535E

## +3V to +5V, 2500VRMS Isolated RS-485/RS-422 Transceivers with $\pm 15kV$ ESD Protection

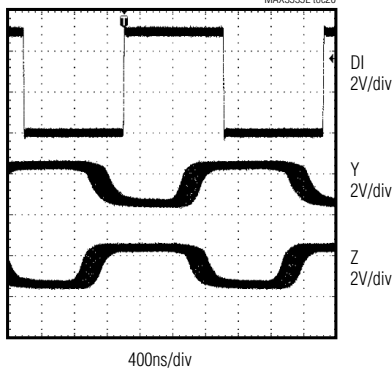
### Typical Operating Characteristics (continued)

( $V_{CC1} = +5V$ ,  $C_L = 50pF$  (Figure 1), unless otherwise noted.)

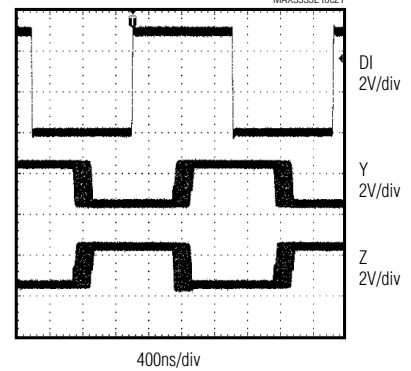
**RECEIVER (RO1) PROPAGATION DELAY  
( $t_{PLH1}$ )**



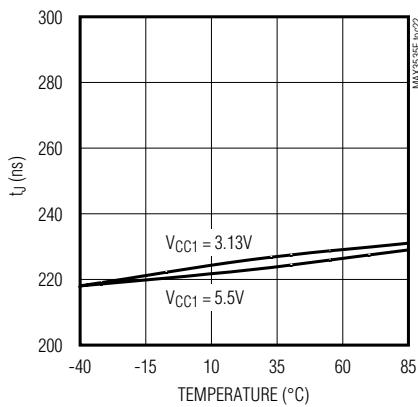
**DRIVER PROPAGATION DELAY  
( $SLO = LOW$ )**



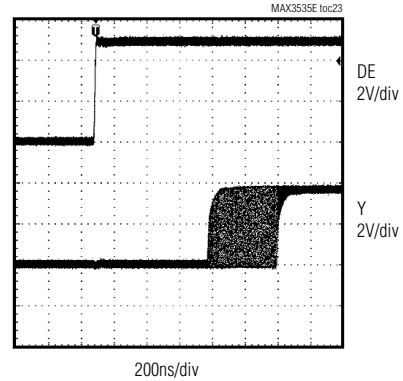
**DRIVER PROPAGATION DELAY  
( $SLO = HIGH$ )**



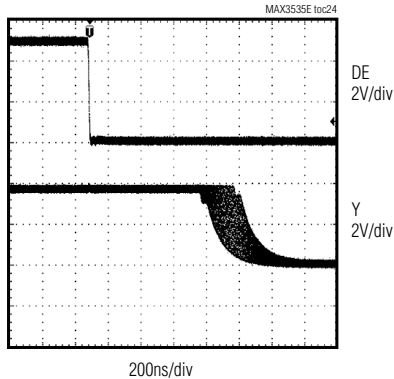
**JITTER vs. TEMPERATURE**



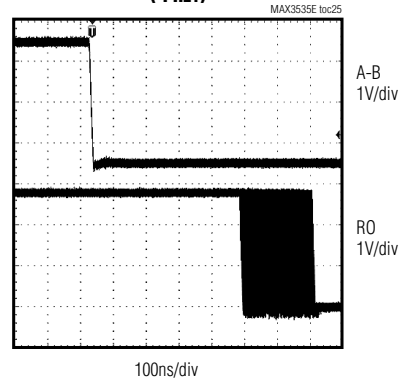
**DRIVER ENABLE  
TIME PLUS JITTER**



**DRIVER DISABLE  
TIME PLUS JITTER**



**RECEIVER (RO1) PROPAGATION DELAY  
( $t_{PHL1}$ )**



# MAX3535E/MXL1535E

## +3V to +5V, 2500VRMS Isolated RS-485/RS-422 Transceivers with ±15kV ESD Protection

### Pin Description

| PIN            | NAME                    | ISOLATION SIDE | FUNCTION   |
|----------------|-------------------------|----------------|--|
| 1              | VCC1                    | Logic          | Logic-Side/Transformer-Driver Power Input. Bypass VCC1 to GND1 with 10µF and 0.1µF capacitors.   |
| 2              | ST1                     | Logic          | Transformer-Driver Phase 1 Power Output. Connect ST1 to isolation-transformer primary to send power to isolation side of barrier.  |
| 3              | ST2                     | Logic          | Transformer-Driver Phase 2 Power Output. Connect ST2 to isolation-transformer primary to send power to isolation side of barrier.  |
| 4              | GND1                    | Logic          | Logic-Side Ground. For isolated operation do not connect to GND2.  |
| 5–10,<br>19–24 | —                       | —              | Removed from Package   |
| 11             | GND2                    | Isolated       | Isolation-Side Ground. For isolated operation do not connect to GND1.  |
| 12             | Z                       | Isolated       | RS-485/RS-422 Inverting Driver Output. Output floats when DE is low or in a barrier fault event. (See the <i>Detailed Description</i> section for more information.)   |
| 13             | Y                       | Isolated       | RS-485/RS-422 Noninverting Driver Output. Output floats when DE is low or in a barrier fault event. (See the <i>Detailed Description</i> section for more information.)  |
| 14             | VCC2                    | Isolated       | Isolated-Side Power Input. Connect VCC2 to the rectified output of transformer secondary. Bypass VCC2 to GND2 with 10µF and 0.1µF capacitors.  |
| 15             | B                       | Isolated       | RS-485/RS-422 Differential-Receiver Inverting Input  |
| 16             | A                       | Isolated       | RS-485/RS-422 Differential-Receiver Noninverting Input   |
| 17             | RO2                     | Isolated       | Isolated-Side Receiver Output. RO2 is always enabled. RO2 goes high if A - B > -10mV. RO2 goes low if A - B < -200mV. Fail-safe circuitry causes RO2 to go high when A and B float or are shorted.   |
| 18             | $\overline{\text{SLO}}$ | Isolated       | Driver Slew-Rate Control Logic Input. Connect $\overline{\text{SLO}}$ to GND2 for data rates up to 400kbps. Connect $\overline{\text{SLO}}$ to VCC2 or leave floating for high data rates.   |
| 25             | DI                      | Logic          | Driver Input. Pull DI low (high) to force driver output Y low (high) and driver output Z high (low).   |
| 26             | DE                      | Logic          | Driver-Enable Input. The driver outputs are enabled and follow the driver input (DI) when DE is high. When DE is floated, the driver is disabled. DE does not affect whether the receiver is on or off.  |
| 27             | $\overline{\text{RE}}$  | Logic          | Receiver-Output Enable and Fault Current Output. The receiver output (RO1) is enabled and follows the differential-receiver inputs, A and B, when $\overline{\text{RE}}$ is low, otherwise RO1 floats. $\overline{\text{RE}}$ does not affect RO2 and does not disable the driver. The asserted fault output is a pullup current, otherwise $\overline{\text{RE}}$ shows a pulldown current. |
| 28             | RO1                     | Logic          | Receiver Output. RO1 is enabled when $\overline{\text{RE}}$ is low. RO1 goes high if A - B > -10mV. RO1 goes low if A - B < -200mV. Fail-safe circuitry causes RO1 to go high when A and B float or are shorted.   |

# MAX3535E/MXL1535E

## +3V to +5V, 2500V<sub>RMS</sub> Isolated RS-485/RS-422 Transceivers with ±15kV ESD Protection

### Test Circuits

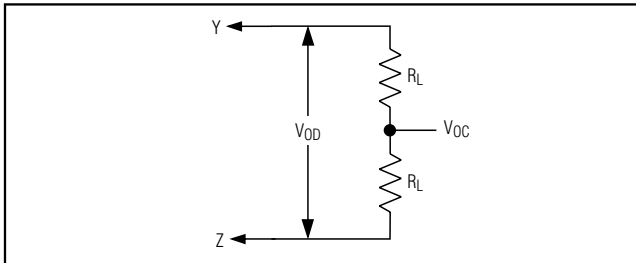


Figure 1. Driver DC Test Load

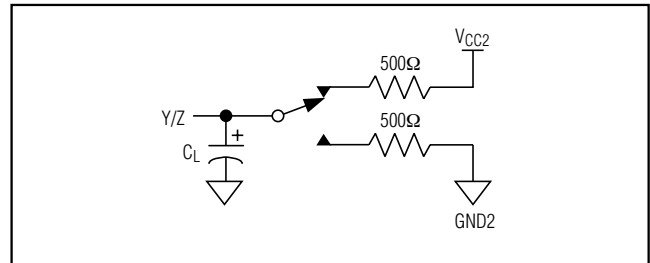


Figure 3. Driver Timing Test Load

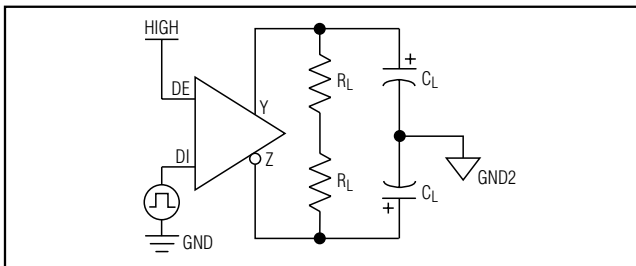


Figure 2. Driver Timing Test Circuit

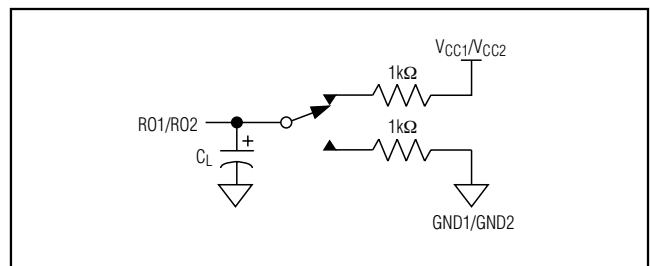


Figure 4. Receiver Timing Test Load

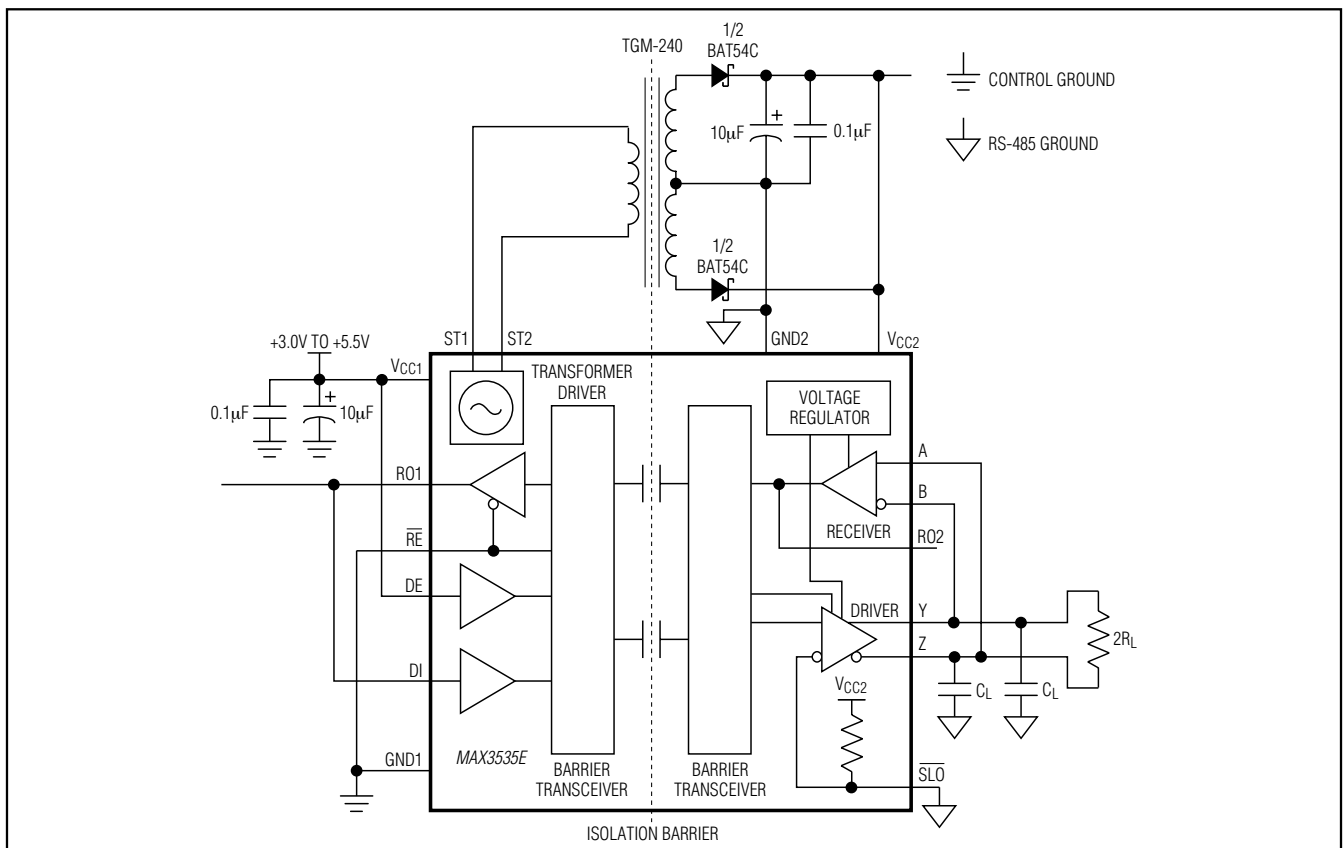


Figure 5. Self-Oscillating Configuration

# MAX3535E/MXL1535E

## +3V to +5V, 2500VRMS Isolated RS-485/RS-422 Transceivers with ±15kV ESD Protection

### Switching Waveforms

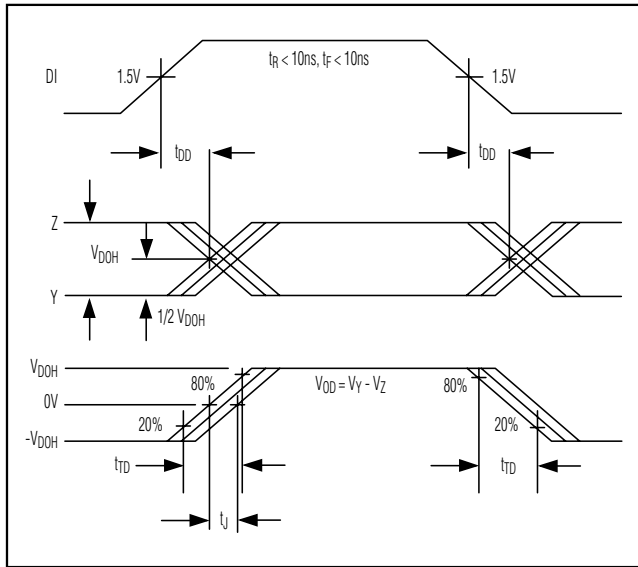


Figure 6. Driver Propagation Delay

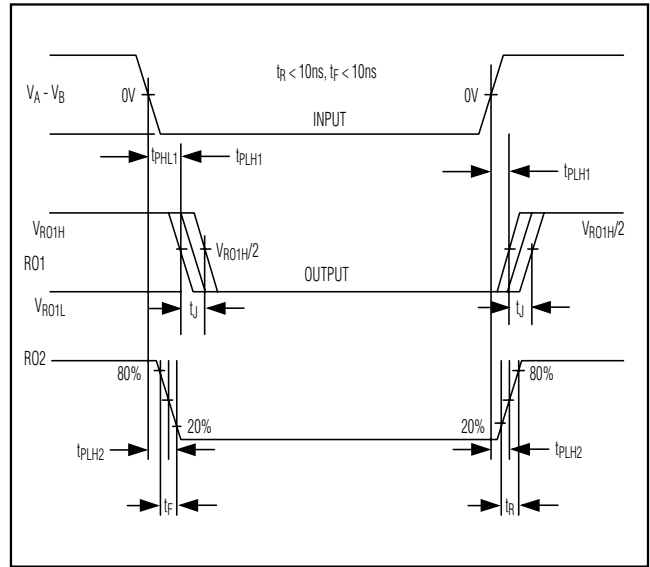


Figure 8. Receiver Propagation Delays

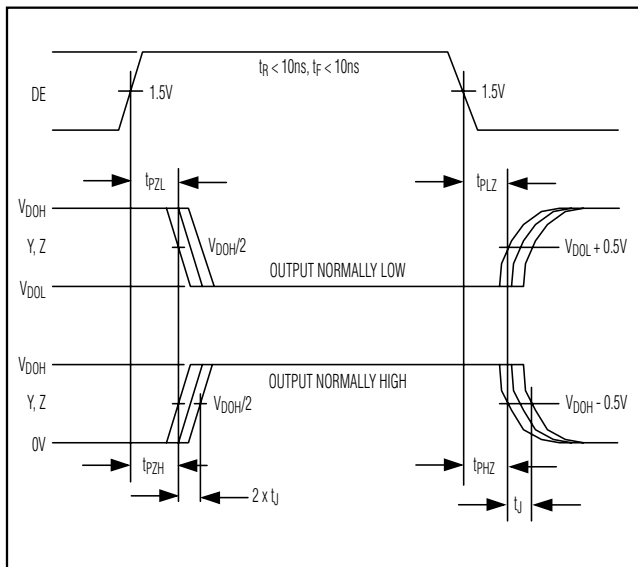


Figure 7. Driver Enable and Disable Times

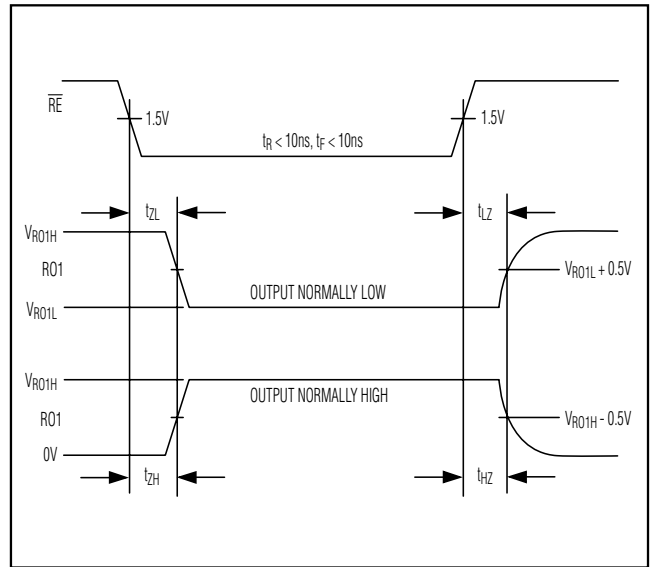


Figure 9. Receiver Enable and Disable Times

# MAX3535E/MXL1535E

## +3V to +5V, 2500V<sub>RMS</sub> Isolated RS-485/RS-422 Transceivers with ±15kV ESD Protection

### **Detailed Description**

The MAX3535E/MXL1535E isolated RS-485/RS-422 full-duplex transceivers provide 2500V<sub>RMS</sub> of galvanic isolation between the RS-485/RS-422 isolation side and the processor or logic side. These devices allow fast, 1000kbps communication across an isolation barrier even when the common-mode voltages (i.e., the ground potentials) on either side of the barrier are subject to large differences. The isolation barrier consists of two parts. The first part is a capacitive isolation barrier (integrated high-voltage capacitors) that allows data transmission between the logic side and the RS-485/RS-422 isolation side. Data is sampled and encoded before it is transmitted across the isolation barrier introducing sampling jitter and further delay into the communication system.

The second part of the isolation barrier consists of an external transformer with the required primary-to-secondary isolation, allowing the transmission of operating power from the logic side across the isolation barrier to the isolation side. Connect the primary of the external transformer to the MAX3535E/MXL1535E's 420kHz transformer driver outputs ST1 and ST2. Since the MXL1535E and the MAX3535E operate with different supply-voltage requirements at their respective isolated and logic sides, different isolation transformers must be used with each device (see the *Transformer Selection* section). The only external components needed to complete the system are the isolation transformer, two diodes, and two low-voltage, 10μF decoupling capacitors (see the *Typical Application Circuit*).

The MAX3535E/MXL1535E include one differential driver, one receiver, and internal circuitry to send the RS-485 signals and logic signals across the isolation barrier (including the isolation capacitors). The MAX3535E/MXL1535E receivers are 1/8 unit load, allowing up to 256 devices on a single bus.

The MAX3535E/MXL1535E feature fail-safe circuitry ensuring the receiver output maintains a logic-high state when the receiver inputs are open or shorted, or when connected to a terminated transmission line with all drivers disabled (see the *Fail Safe* section).

The MAX3535E/MXL1535E feature driver slew-rate select that minimizes electromagnetic interference (EMI) and reduces reflections caused by improperly terminated cables at data rates below 400kbps. The

driver outputs are short-circuit protected for sourcing or sinking current and have overvoltage protection. Other features include hot-swap capability, which holds the driver off if the driver logic signals are floated after power is applied. The MAX3535E/MXL1535E have error-detection circuitry that alerts the processor when there is a fault and disables the driver until the fault is removed.

### **Fail Safe**

The MAX3535E/MXL1535E guarantee a logic-high receiver output when the receiver inputs are shorted or open, or when connected to a terminated transmission line with all drivers disabled. The receiver threshold is fixed between -10mV and -200mV. If the differential receiver input voltage (A - B) is greater than or equal to -10mV, RO1 is logic-high (Table 2). In the case of a terminated bus with all transmitters disabled, the receiver's differential input voltage is pulled to zero by the termination. Due to the receiver thresholds of the MAX3535E/MXL1535E, this results in a logic-high at RO1 with a 10mV minimum noise margin.

### **Driver Output Protection**

Two mechanisms prevent excessive output current and power dissipation caused by faults or by bus contention. The first, a foldback current limit on the output stage, provides immediate protection against short circuits over the entire common-mode voltage range. The second, a thermal-shutdown circuit, forces the driver outputs into a high-impedance state if the die temperature exceeds +150°C.

### **Monitoring Faults on $\overline{RE}$**

$\overline{RE}$  functions as both an input and an output. As an input,  $\overline{RE}$  controls the receiver output enable (RO1). As an output,  $\overline{RE}$  is used to indicate when there are faults associated with the operation of the part. This dual functionality is made possible by using an output driver stage that can easily be overdriven by most logic gates. When an external gate is not actively driving  $\overline{RE}$ , it is driven either high using a 100μA internal pullup current (fault present), or low using a 60μA internal pull-down current (no fault). When using  $\overline{RE}$  to control the receiver-enable output function, be sure to drive it using a gate that has enough sink and source capability to overcome the internal drive.



# MAX3535E/MXL1535E

## +3V to +5V, 2500VRMS Isolated RS-485/RS-422 Transceivers with $\pm 15\text{kV}$ ESD Protection

When not actively driving  $\overline{\text{RE}}$ , it functions as the fault indicator (Table 3). A low on  $\overline{\text{RE}}$  indicates the part is functioning properly, while a high indicates a fault is present. The four causes of a fault indication are:

- 1) The voltage on  $V_{\text{CC1}}$  is below its undervoltage-lock-out threshold (2.69V nominal)
- 2) The voltage on  $V_{\text{CC2}}$  is below its undervoltage-lock-out threshold (2.80V nominal)
- 3) There is a problem that prevents the MAX3535E/MXL1535E from communicating across its isolation barrier
- 4) The die temperature exceeds  $+150^{\circ}\text{C}$  nominally, causing the part to go into thermal shutdown

When a fault occurs, RO1 is switched to a logic-high state if  $\overline{\text{RE}}$  is low (Table 3). Open-circuit or short-circuit conditions on the receiver inputs do not generate fault conditions; however, any such condition also puts RO1 in a logic-high state (see the *Fail Safe* section).

Read  $\overline{\text{RE}}$  for fault conditions by using a bidirectional microcontroller I/O line or a tri-stated buffer as shown in Figure 10. When using a tri-stated buffer, enable the driver whenever the voltage on  $\overline{\text{RE}}$  needs to be forced to a logic-high or logic-low. To read  $\overline{\text{RE}}$  for a fault condition, disable the driver.

### Slew-Rate Control Logic

The  $\overline{\text{SLO}}$  input selects between a fast and a slow slew rate for the driver outputs. Connecting  $\overline{\text{SLO}}$  to GND2 selects the slow slew-rate option that minimizes EMI and reduces reflections caused by improperly terminated cables at data rates up to 400kbps. This occurs because lowering the slew rate decreases the rise and fall times for the signal at the driver outputs, drastically reducing the high-frequency components and harmonics at the output. Floating  $\overline{\text{SLO}}$  or connecting it to  $V_{\text{CC2}}$  selects the fast slew rate, which allows high-speed operation.

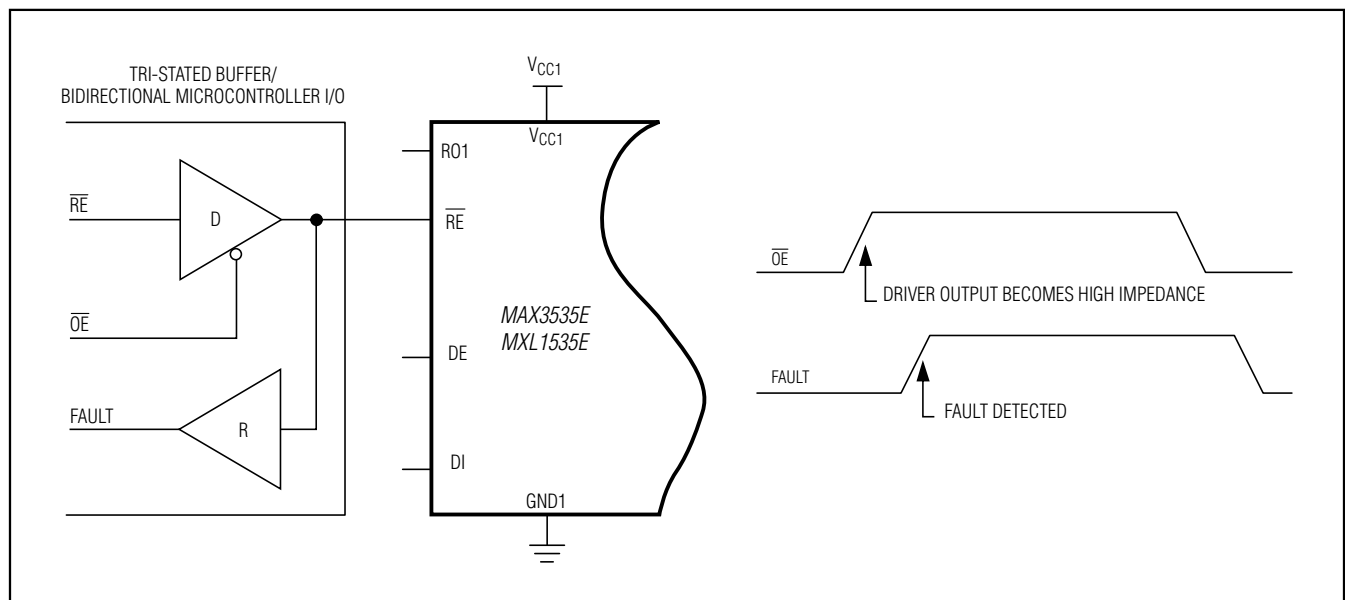


Figure 10. Reading a Fault Condition

# MAX3535E/MXL1535E

## +3V to +5V, 2500V<sub>RMS</sub> Isolated RS-485/RS-422 Transceivers with ±15kV ESD Protection

### Functional Tables

Table 1. Transmitting Logic

| TRANSMITTING LOGIC |    |                |                |
|--------------------|----|----------------|----------------|
| INPUTS             |    | OUTPUTS        |                |
| DE                 | DI | Y              | Z              |
| 1                  | 1  | 1              | 0              |
| 1                  | 0  | 0              | 1              |
| 0                  | X  | High impedance | High impedance |

Table 2. Receiving Logic

| RECEIVING LOGIC |                                 |                |     |
|-----------------|---------------------------------|----------------|-----|
| INPUTS          |                                 | OUTPUTS        |     |
| $\overline{RE}$ | V <sub>A</sub> - V <sub>B</sub> | RO1            | RO2 |
| 0               | >-10mV                          | 1              | 1   |
| 0               | <-200mV                         | 0              | 0   |
| 0               | Inputs open/shorted             | 1              | 1   |
| 1               | >-10mV                          | High impedance | 1   |
| 1               | <-200mV                         | High impedance | 0   |
| 1               | Inputs open/shorted             | High impedance | 1   |

Table 3. Fault Mode

| FUNCTION                           | NORMAL MODE  | FAULT MODES  |  |  |                     |                              |                |
|------------------------------------|--|--|--|--|---------------------|------------------------------|----------------|
|                                    | V <sub>CC1</sub> > V <sub>UVH1</sub><br>V <sub>CC2</sub> > V <sub>UVH2</sub> | V <sub>CC1</sub> < V <sub>UVL1</sub><br>V <sub>CC2</sub> > V <sub>UVH2</sub> | V <sub>CC1</sub> > V <sub>UVH1</sub><br>V <sub>CC2</sub> < V <sub>UVL2</sub> | V <sub>CC1</sub> < V <sub>UVL1</sub><br>V <sub>CC2</sub> < V <sub>UVL2</sub> | THERMAL SHUTDOWN    | INTERNAL COMMUNICATION FAULT |                |
| Transformer driver (ST1, ST2)      | On   | On   | On   | On   | Off                 | On                           |                |
| RO1                                | $\overline{RE} = 0$  | Active   | High   | High   | High                | High                         | High           |
|                                    | $\overline{RE} = V_{CC1}$  | High impedance   | High impedance   | High impedance   | High impedance      | High impedance               | High impedance |
|                                    | $\overline{RE} = \text{floating}$  | Active   | High impedance   | High impedance   | High impedance      | High impedance               | High impedance |
| RO2                                | Active   | Active   | Active   | Active   | Active              | Active                       |                |
| Driver outputs (Y, Z)              | Active   | High impedance   | High impedance   | High impedance   | High impedance      | High impedance               |                |
| Internal barrier communication     | Active   | Disabled   | Disabled   | Disabled   | Disabled            | Communication attempted      |                |
| Fault indicator on $\overline{RE}$ | Low (60μA pull-down)   | High (100μA pullup)  | High (100μA pullup)  | High (100μA pullup)  | High (100μA pullup) | High (100μA pullup)          |                |

# MAX3535E/MXL1535E

## +3V to +5V, 2500VRMS Isolated RS-485/RS-422 Transceivers with $\pm 15kV$ ESD Protection

### Applications Information

#### Typical Applications

The MAX3535E/MXL1535E transceivers facilitate bi-directional data communications on multipoint bus transmission lines. Figure 11 shows a typical RS-485

multidrop-network applications circuit. Figure 12 shows the MAX3535E/MXL1535E functioning as line repeaters with cable lengths longer than 4000ft. To minimize reflections, terminate the line at both ends in its characteristic impedance. Keep stub lengths off the main line as short as possible.

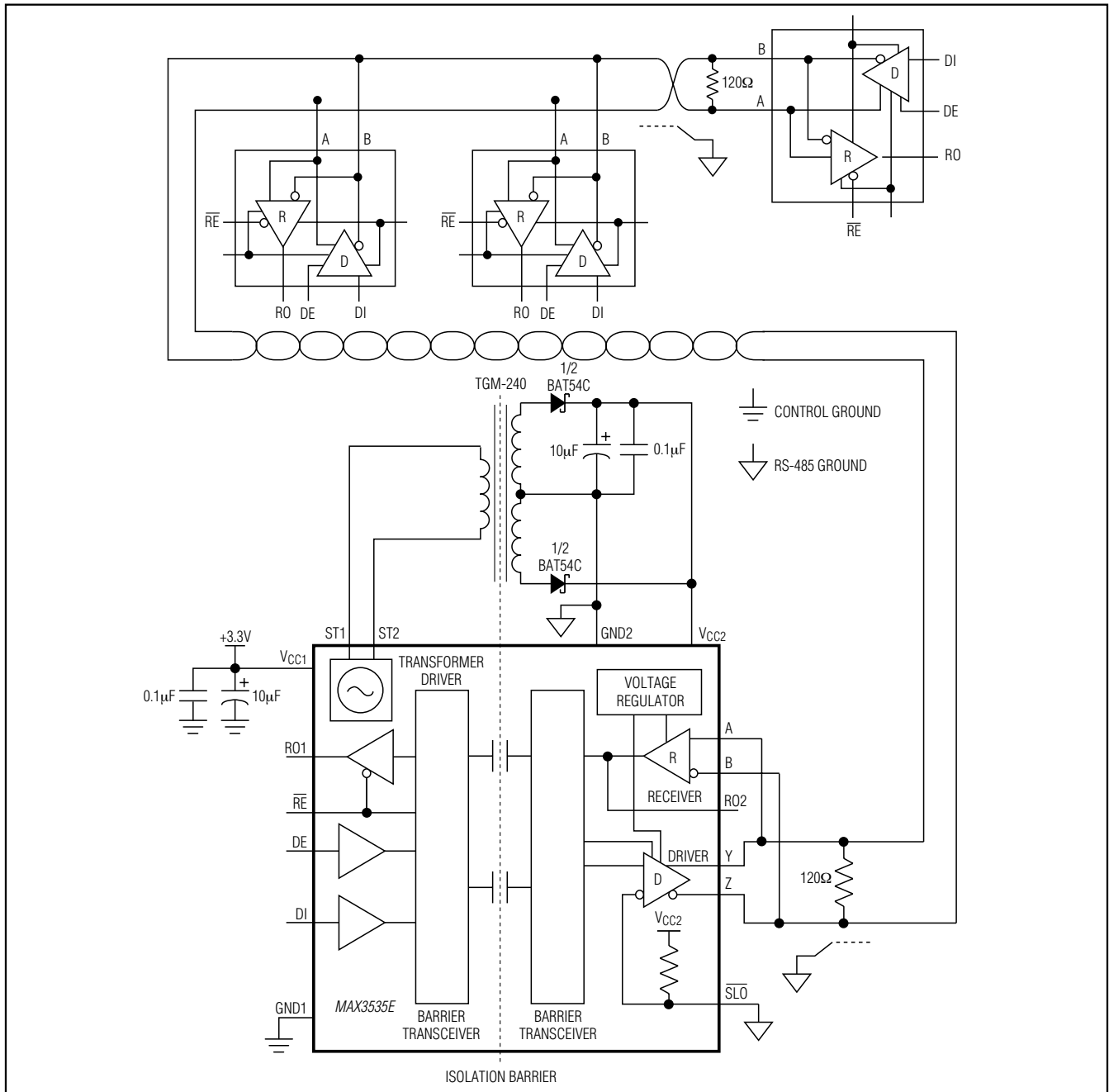


Figure 11. Typical Half-Duplex Multidrop RS-485 Network

# MAX3535E/MXL1535E

## +3V to +5V, 2500VRMS Isolated RS-485/RS-422 Transceivers with ±15kV ESD Protection

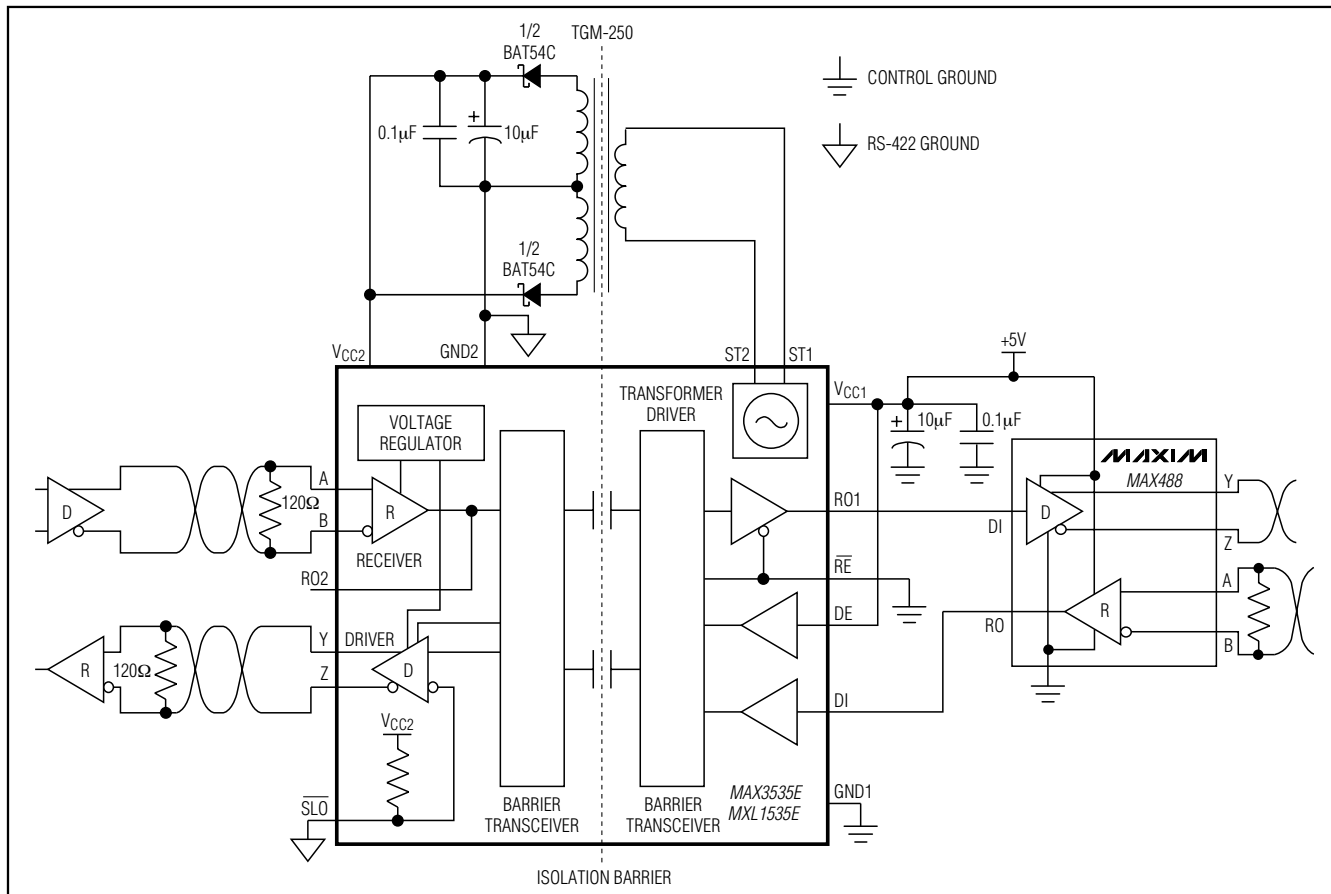


Figure 12. Using the MAX3535E/MXL1535E as an RS-422 Line Repeater

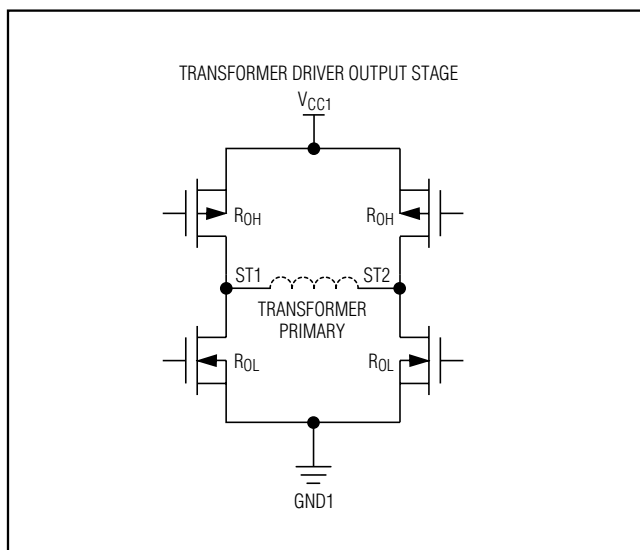


Figure 13. Transformer Driver Output Stage

### Transformer Selection

The MXL1535E is a pin-for-pin compatible upgrade of the LTC1535, making any transformer designed for that device suitable for the MXL1535E (see Table 4). These transformers all have a turns ratio of about 1:1.3CT.

The MAX3535E can operate with any of the transformers listed in Table 4, in addition to smaller, thinner transformers designed for the MAX845 and MAX253. The 420kHz transformer driver operates with single primary and center-tapped secondary transformers. When selecting a transformer, do not exceed its ET product, the product of the maximum primary voltage and half the highest period of oscillation (lowest oscillating frequency). This ensures that the transformer does not enter saturation. Calculate the minimum ET product for the transformer primary as:

$$ET = V_{MAX} / (2 \times f_{MIN})$$

where,  $V_{MAX}$  is the worst-case maximum supply voltage, and  $f_{MIN}$  is the minimum frequency at that supply voltage. Using +5.5V and 290kHz gives a required minimum ET

# MAX3535E/MXL1535E

## +3V to +5V, 2500VRMS Isolated RS-485/RS-422 Transceivers with ±15kV ESD Protection

product of 9.5V- $\mu$ s. The commercially available transformers for the MAX845 listed in Table 5 meet that requirement. In most cases, use half of the center-tapped primary winding with the MAX3535E and leave the other end of the primary floating. Most of the transformers in Table 5 are 1:1:1 or 1:1:1:1 turns ratio.

For +3.3V operation (+3.6V maximum) the required primary ET product is 6.2V- $\mu$ s. All of the previously mentioned transformers meet this requirement. Table 6 lists some other transformers with step-up turns ratios specifically tailored for +3.3V operation. Most of the transformers in Table 6 are 1:1:1.3:1.3.

By using a HALO TGM-010 or Midcom 95061 transformer, it becomes possible to build a complete isolated RS-485/RS-422 transceiver with a maximum thickness

less than 0.1in. To minimize power consumption, select the turns ratio of the transformer to produce the minimum DC voltage required at V<sub>CC2</sub> (+3.13V) under worst-case, high-temperature, low-V<sub>CC1</sub>, and full-load conditions. For light loads on the isolated side, ensure that the voltage at V<sub>CC2</sub> does not exceed +7.5V. For example, the CTX01-14659 transformer results in 85mA (typ) V<sub>CC1</sub> supply current with full load on the RS-485 driver. Using a TGM250 1:1:1 transformer lowers the V<sub>CC1</sub> supply current to 65mA (typ), while maintaining good margin on the V<sub>CC2</sub> supply. A slight step-down transformer can result in extra power savings in some situations. A custom wound sample transformer with 23 primary turns and 20:20 secondary turns on a Ferronics 11-050B core operates well with a V<sub>CC1</sub> supply current of 51mA (typ).

**Table 4. Transformers for the MXL1535E/MAX3535E**

| MANUFACTURER                         | PART NUMBER     | ISOLATION VOLTAGE (1s) | PHONE NUMBER                     |
|--------------------------------------|-----------------|------------------------|----------------------------------|
| Cooper Electronic Technologies, Inc. | CTX01-14659     | 500V                   | 561-241-7876                     |
| Cooper Electronic Technologies, Inc. | CTX01-14608     | 3750V <sub>RMS</sub>   | 561-241-7876                     |
| EPCOS AG (Germany)<br>(USA)          | B78304-A1477-A3 | 500V                   | 0 89-626-2-80-00<br>800-888-7724 |
| Midcom, Inc.                         | 31160R          | 1250V                  | 605-886-4385                     |
| Pulse FEE (France)                   | P1597           | 500V                   | 33-3-85-35-04-04                 |
| Sumida Corporation (Japan)           | S-167-5779      | 100V                   | 03-3667-3320                     |
| Transpower Technologies, Inc.        | TTI7780-SM      | 500V                   | 775-852-0145                     |

**Table 5. Transformers for MAX3535E at +5V**

| MANUFACTURER             | PART NUMBER | ISOLATION VOLTAGE (1s) | PHONE NUMBER                   | WEBSITE  |
|--------------------------|-------------|------------------------|--------------------------------|--|
| HALO Electronics, Inc.   | TGM-010     | 500V <sub>RMS</sub>    | 650-903-3800                   | www.haloelectronics.com/6pin.html                          |
|                          | TGM-250     | 2000V <sub>RMS</sub>   |                                |  |
|                          | TGM-350     | 3000V <sub>RMS</sub>   |                                |  |
|                          | TGM-450     | 4500V <sub>RMS</sub>   |                                |  |
| BH Electronics, Inc.     | 500-1749    | 3750V <sub>RMS</sub>   | 952-894-9590                   | www.bhelectronics.com/PDFs/DC-DCCConverterTransformers.pdf |
| Coilcraft, Inc.          | U6982-C     | 1500V <sub>RMS</sub>   | 800-322-2645<br>44-1236-730595 | www.coilcraft.com/minitrans.cfm                            |
| Newport/C&D Technologies | 7825355     | 1500V                  | 520-295-4300                   | www.dc-dc.com/products/productline.asp?ED=9                |
|                          | 7625335     | 4000V                  |                                |  |
| Midcom, Inc.             | 95061       | 1250V                  | 605-886-4385                   | www.midcom-inc.com   |
| PCA Electronics, Inc.    | EPC3115S-5  | 700V DC                | 818-894-5791                   | www.pca.com/Datasheets/EPC3117S-X.pdf                      |
| Rhombus Industries, Inc. | T-1110      | 1800V <sub>RMS</sub>   | 714-898-0960                   | www.rhombus-ind.com/pt-cat/maxim.pdf                       |
| Premier Magnetics, Inc.  | PM-SM15     | 1500V <sub>RMS</sub>   | 949-452-0511                   | www.premiermag.com/pdf/pmsm15.pdf                          |

# MAX3535E/MXL1535E

## +3V to +5V, 2500VRMS Isolated RS-485/RS-422 Transceivers with ±15kV ESD Protection

Table 6. Transformers for MAX3535E at +3.3V

| MANUFACTURER             | PART NUMBER | ISOLATION VOLTAGE (1s) | PHONE NUMBER                   | WEBSITE  |
|--------------------------|-------------|------------------------|--------------------------------|--|
| HALO Electronics, Inc.   | TGM-040     | 500VRMS                | 650-903-3800                   | www.haloelectronics.com/6pin.html                          |
|                          | TGM-240     | 2000VRMS               |                                |  |
|                          | TGM-340     | 3000VRMS               |                                |  |
|                          | TGM-340     | 4500VRMS               |                                |  |
| BH Electronics, Inc.     | 500-2582    | 2000VRMS               | 952-894-9590                   | www.bhelectronics.com/PDFs/DC-DCCConverterTransformers.pdf |
| Coilcraft, Inc.          | Q4470-C     | 1500VRMS               | 800-322-2645<br>44-1236-730595 | www.coilcraft.com/minitrans.cfm                            |
| Newport/C&D Technologies | 78253335    | 1500V                  | 520-295-4300                   | www.dc-dc.com/products/productline.asp?ED=9                |
|                          | 76253335    | 4000V                  |                                |  |
| Midcom, Inc.             | 95062       | 1250V                  | 605-886-4385                   | www.midcom-inc.com   |
|                          | 95063       | 1250V                  |                                |  |
| PCA Electronics, Inc.    | EPC3115S-2  | 700V DC                | 818-894-5791                   | www.pca.com/Datasheets/EPC3117S-X.pdf                      |
| Rhombus Industries, Inc. | T-1107      | 1800VRMS               | 714-898-0960                   | www.rhombus-ind.com/pt-cat/maxim.pdf                       |
| Premier Magnetics Inc.   | PM-SM16     | 1500VRMS               | 949-452-0511                   | www.premiermag.com/pdf/pmsm15.pdf                          |

### ±15kV ESD Protection

As with all Maxim devices, ESD-protection structures are incorporated on all pins to protect against electrostatic discharges encountered during handling and assembly. The driver outputs and receiver inputs have extra protection against static electricity. Maxim's engineers have developed state-of-the-art structures to protect these pins against ESD of ±15kV without damage. The ESD structures withstand high ESD in all states. After an ESD event, the MAX3535E/MXL1535E keep working without latchup. ESD protection can be tested in various ways. The transmitter outputs and receiver inputs of this product family are characterized for protection to ±15kV using the Human Body Model.

### ESD Test Conditions

The ±15kV ESD test specifications apply only to the A, B, Y, and Z I/O pins. The test surge is referenced to GND2. All remaining pins are ±2kV ESD protected.

### Human Body Model

Figure 14 shows the Human Body Model, and Figure 15 shows the current waveform it generates when dis-

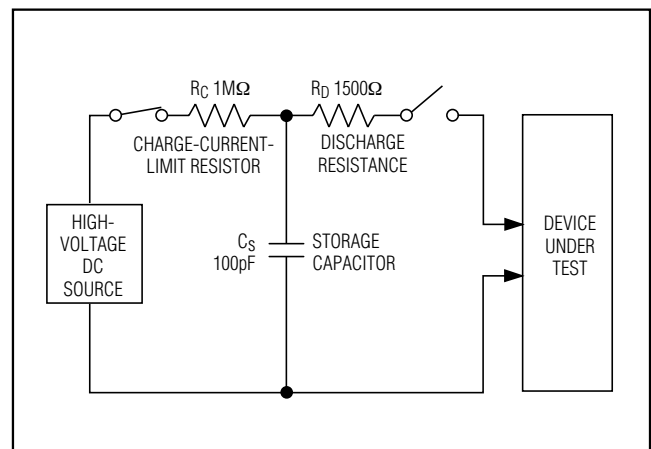


Figure 14. Human Body ESD Test Model

charged into low impedance. This model consists of a 100pF capacitor charged to the ESD voltage of interest, which is then discharged into the test device through a 1.5kΩ resistor.

# MAX3535E/MXL1535E

## +3V to +5V, 2500VRMS Isolated RS-485/RS-422 Transceivers with $\pm 15\text{kV}$ ESD Protection

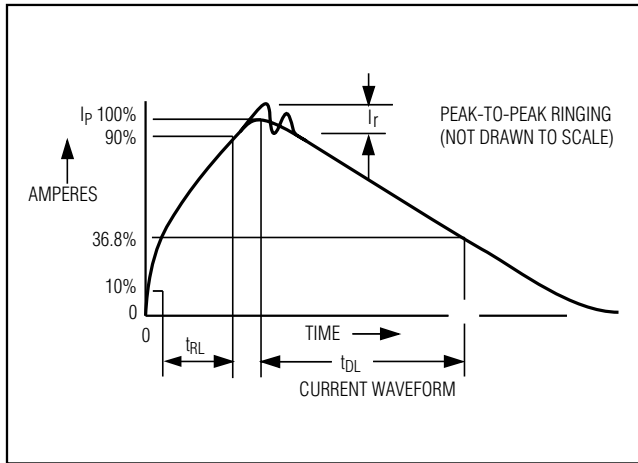


Figure 15. Human Body Current Waveform

### Machine Model

The Machine Model for ESD tests all pins using a 200pF storage capacitor and zero discharge resistance. Its objective is to simulate the stress caused by contact that occurs with handling and assembly during manufacturing. All pins require this protection during manufacturing, not just inputs and outputs. Therefore, after PC board assembly, the Machine Model is less relevant to I/O ports.

### Skew

The self-oscillation circuit shown in Figure 5 is an excellent way to get an approximate measure of the speed of the MAX3535E/MXL1535E. An oscillation frequency of 250kHz in this configuration implies a data rate of at least 500kbps for the receiver and transmitter combined. In practice, data can usually be sent and received at a considerably higher data rate, normally limited by the allowable jitter and data skew. If the system can tolerate a 25% data skew, (the difference between  $t_{PLH1}$  and  $t_{PHL1}$ ), the 285ns maximum jitter specification implies a data rate of 877kbps. Lower data rates result in less distortion and jitter (Figure 16).

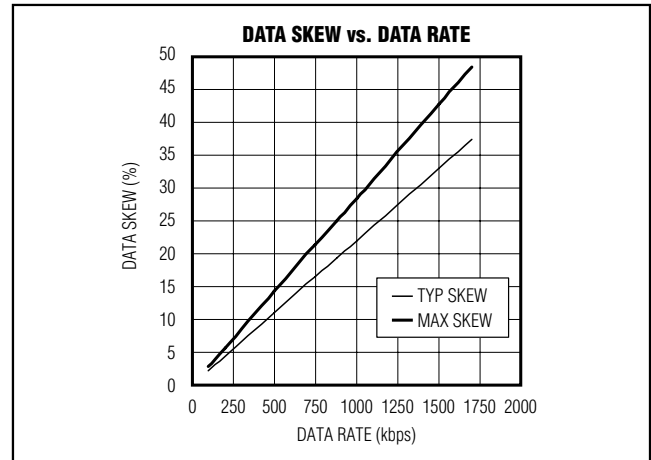


Figure 16. Data Skew vs. Data Rate Graph

Higher rates are possible but with more distortion and jitter. The data rate should always be limited below 1.75Mbps for both receiver and driver to avoid interference with the internal barrier communication.

### Layout Considerations

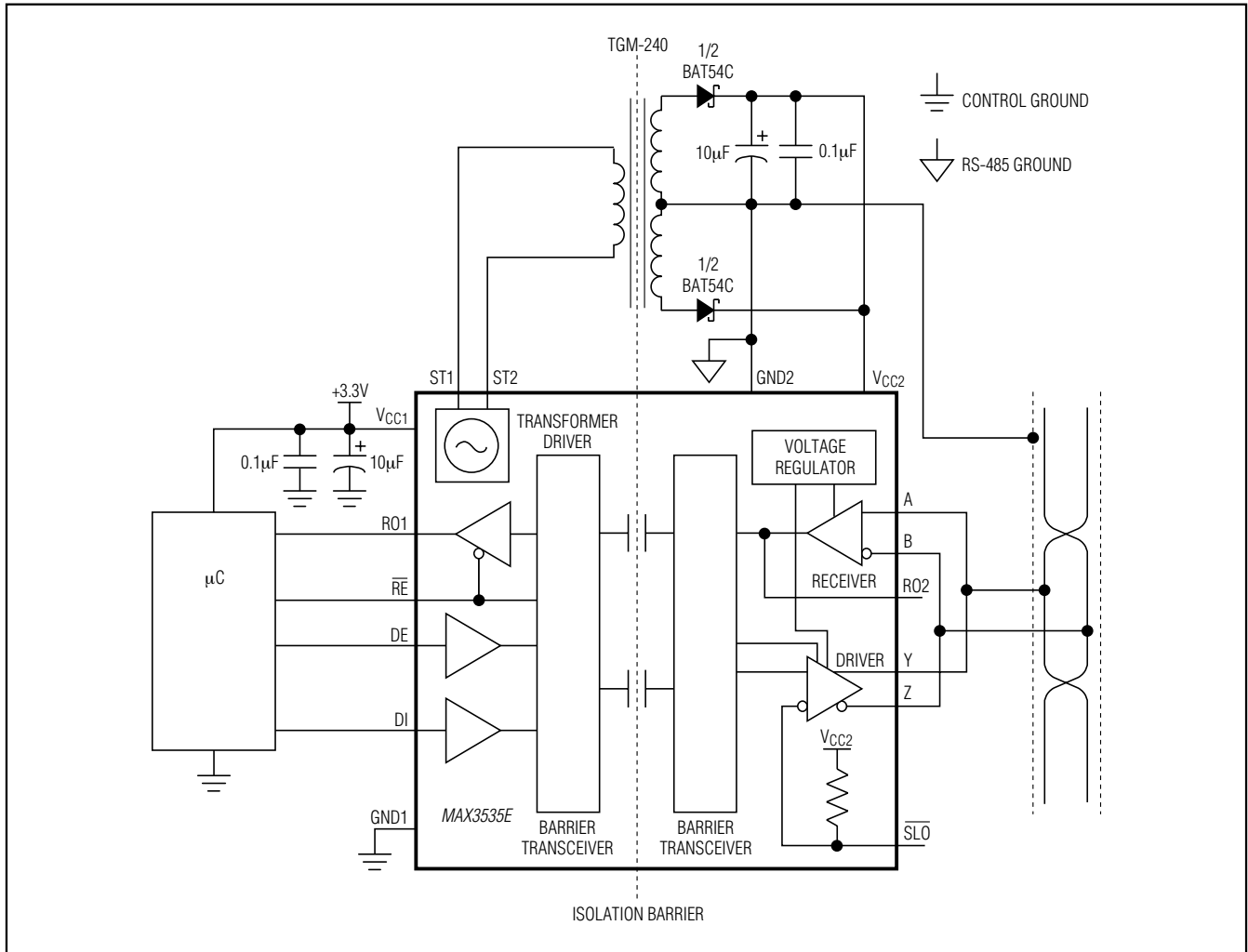
The MAX3535E/MXL1535E pin configurations enable optimal PC board layout by minimizing interconnection lengths and crossovers:

- For maximum isolation, the isolation barrier should not be breached except by the MAX3535E/MXL1535E and the transformer. Connections and components from one side of the barrier should not be located near those of the other side of barrier.
- A shield trace connected to the ground on each side of the barrier can help intercept capacitive currents that might otherwise couple into the DI and  $\overline{\text{SLO}}$  inputs. In a double-sided or multilayer board, these shield traces should be present on all conductor layers.
- Try to maximize the width of the isolation barrier wherever possible. A clear space of at least 0.25in between GND1 and GND2 is recommended.

# MAX3535E/MXL1535E

## +3V to +5V, 2500V<sub>RMS</sub> Isolated RS-485/RS-422 Transceivers with ±15kV ESD Protection

### Typical Application Circuit



### Chip Information

PROCESS: BiCMOS

TRANSISTOR COUNT: 7379

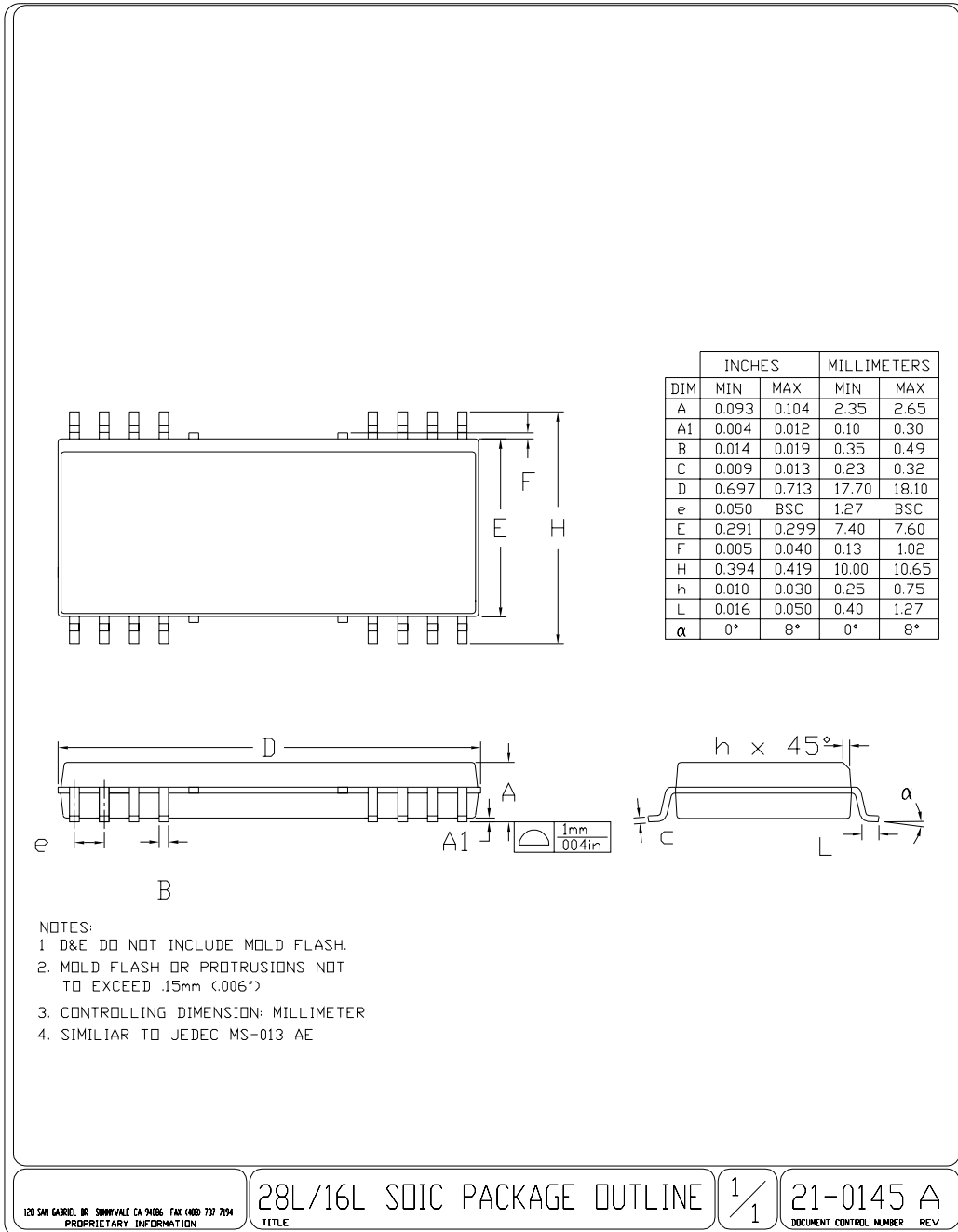


# MAX3535E/MXL1535E

## +3V to +5V, 2500VRMS Isolated RS-485/RS-422 Transceivers with ±15kV ESD Protection

### Package Information

(The package drawing(s) in this data sheet may not reflect the most current specifications. For the latest package outline information go to [www.maxim-ic.com/packages](http://www.maxim-ic.com/packages).)



# **MAX3535E/MXL1535E**

**+3V to +5V, 2500VRMS Isolated RS-485/RS-422  
Transceivers with  $\pm 15\text{kV}$  ESD Protection**



*Maxim cannot assume responsibility for use of any circuitry other than circuitry entirely embodied in a Maxim product. No circuit patent licenses are implied. Maxim reserves the right to change the circuitry and specifications without notice at any time. The parametric values (min and max limits) shown in the Electrical Characteristics table are guaranteed. Other parametric values quoted in this data sheet are provided for guidance.*

## X-ON Electronics

Largest Supplier of Electrical and Electronic Components

*Click to view similar products for [RS-422/RS-485 Interface IC category](#):*

*Click to view products by [Maxim manufacturer](#):*

Other Similar products are found below :

[NSI83085](#) [WS3088EESA-GEC](#) [ADM2687EBRIZ-RL7](#) [MAX489CPD+](#) [MAX485ESA+T](#) [MAX491EPD+](#) [MAX488EESA+](#) [MAX3080CPD+](#)  
[MXL1535EEWI+](#) [SN65LBC173DR](#) [DS16F95J/883](#) [MAX490ESA+T](#) [LTM2881IY-3#PBF](#) [LT1791CN#PBF](#) [LTM2881CY-3#PBF](#)  
[LTC2852CDD#PBF](#) [LTC2857IMS8-2#PBF](#) [LT1791ACN#PBF](#) [LTC487CS#PBF](#) [MAX1487CUA+T](#) [XR3074XID-F](#) [XR3082XID-F](#)  
[SP1481EEN-L](#) [SN75ALS173NSR](#) [ADM3491ARZ-REEL](#) [ADM485JN](#) [ADM1485ANZ](#) [ADM1485JNZ](#) [ADM1490EBRMZ](#) [ADM489ABRZ](#)  
[ADM1491EBRZ-REEL7](#) [ADM3070EYRZ](#) [ADM3073EARZ](#) [ADM4850ACPZ-REEL7](#) [ADM4850ARMZ-REEL7](#) [ADM485ANZ](#)  
[ADM485ARMZ](#) [ADM485JNZ](#) [ADM488ANZ](#) [ADM489ANZ](#) [ADM489ARUZ](#) [ADM3488ARZ](#) [ADM3488EARZ](#) [ADM3490ARZ](#)  
[ADM3493ARZ](#) [ADM4856ARZ-REEL7](#) [ADM487EARZ-REEL7](#) [ADM488ABRZ](#) [ADM1486ARZ](#) [ADM3075EWYRZ](#)