

General Description

The MAX40006 evaluation kit (EV kit) provides a proven design to evaluate the MAX40006 low-power, MOS-input operational amplifier (op amp) in a 6-bump wafer-level package (WLP). The EV kit circuit is preconfigured as a noninverting amplifier, but can easily be adapted to other topologies by changing a few components. Low-power, low-input V_{OS} , and rail-to-rail input/output stages make this device ideal for a variety of measurement applications. The component pads accommodate packages, making them easy to solder and replace. The EV kit comes with a MAX40006ANT+ installed.

Features

- +1.7V to +5.5V Supply Voltage Range
- Accommodates Multiple Op-Amp Configurations
- Component Pads Allow for Sallen-Key Filter
- Rail-to-Rail Inputs/Outputs
- Proven PCB Layout
- Fully Assembled and Tested

[Ordering Information](#) appears at end of data sheet.

Quick Start

Required Equipment

- MAX40006 EV kit
- +5V, 10mA DC power supply (PS1)
- Precision voltage source
- Digital multimeter (DMM)

Procedure

The EV kit is fully assembled and tested. Follow the steps below to verify board operation:

- 1) Verify that the jumpers are in their default positions, as shown in [Table 1](#).
- 2) Connect the positive terminal of the +5V supply to the V_{DD} PCB pad and the negative terminal to the GND PCB pad closest to V_{DD} .
- 3) Connect the positive terminal of the precision voltage source to the IN+ PCB pad. Connect the negative terminal of the precision voltage source to GND (GND or IN- PCB pads).
- 4) Connect the DMM to monitor the voltage on the OUT PCB pad. With the 10k Ω feedback resistor (R5) and 1k Ω series resistor (R1), the gain is +11 (noninverting configuration).
- 5) Turn on the +5V power supply.
- 6) Apply 100mV from the precision voltage source. Observe the output at OUT on the DMM. OUT should read approximately +1.1V.
- 7) Apply 400mV from the precision voltage source. OUT should read approximately +4.4V.

Detailed Description of Hardware

The MAX40006 EV kit provides a proven layout for the MAX40006 low-power, MOS-input op amp. The device is a single-supply op amp that is ideal for buffering sensor signals. The Sallen-Key topology is easily accomplished by changing and removing some components. The Sallen-Key topology is ideal for buffering and filtering sensor signals.

Op-Amp Configurations

The device is a single-supply op amp that is ideal for differential sensing, noninverting amplification, buffering, and filtering. A few common configurations are detailed in the next few sections.

Noninverting Configuration

The EV kit comes preconfigured as a noninverting amplifier. The gain is set by the ratio of R5/R1. The EV kit comes preconfigured for a gain of +11. For a voltage applied to the IN+ PCB pad, the output voltage for the noninverting configuration is given by the equation below:

$$V_{OUT} = \left(1 + \frac{R5}{R1}\right)(V_{IN+} + V_{OS})$$

where V_{OS} = Input-referred offset voltage.

Differential Amplifier

To configure the EV kit as a differential amplifier, replace R1, R2, R_{C3}, and R5 with appropriate resistors. When R1 = R2 and R_{C3} = R5, the CMRR of the differential amplifier is determined by the matching of resistor ratios R1/R2 and R_{C3}/R5:

$$V_{OUT} = \text{Gain}(V_{IN+} - V_{IN-}) + \left(1 + \frac{R5}{R1}\right)V_{OS}$$

where:

$$\text{Gain} = \frac{R5}{R1} = \frac{R_{C3}}{R2}$$

Sallen-Key Configuration

The Sallen-Key topology is ideal for filtering sensor signals with a 2nd-order filter and acting as a buffer. Schematic complexity is reduced by combining the filter and buffer operations. The EV kit can be configured in a Sallen-Key topology by replacing and populating a few components. The Sallen-Key topology is typically configured as a unity-gain buffer, which can be done by replacing R1 and R5 with 0Ω resistors. The signal is noninverting and applied to IN+. The filter component pads are R2, R3, R4, and R8, where some have to be populated with resistors and others with capacitors.

Lowpass Sallen-Key Filter

To configure the Sallen-Key as a lowpass filter, populate the R2 and R8 pads with resistors and the C3 and C4 pads with capacitors. The corner frequency and Q are then given by:

$$f_C = \frac{1}{2\pi\sqrt{R2 \times C3 \times R8 \times C4}}$$

$$Q = \frac{\sqrt{R2 \times C3 \times R8 \times C4}}{C4(R2 + R8)}$$

Highpass Sallen-Key Filter

To configure the Sallen-Key as a highpass filter, populate the C3 and C4 pads with resistors and the R2 and R8 pads with capacitors. The corner frequency and Q are then given by:

$$f_C = \frac{1}{2\pi\sqrt{C_{R8} \times R_{C4} \times C_{R2} \times R_{C3}}}$$

$$Q = \frac{\sqrt{C_{R8} \times R_{C4} \times C_{R2} \times R_{C3}}}{R_{R3}(C_{R2} + C_{R8})}$$

Capacitive Loads

Some applications require driving large capacitive loads. To improve the stability of the amplifier in such cases, replace R6 with a suitable resistor value to improve amplifier phase margin in the presence of the capacitive load (C9), or apply a resistive load in parallel with C9.

Table 1. Jumper Descriptions (JU1, JU2)

JUMPER	SHUNT POSITION	DESCRIPTION
JU1	Installed*	Connects the IN- PCB pad to GND.
	Not installed	Isolates the IN- PCB pad from GND.
JU2	1-2*	Connects SHDN to V _{DD} (normal operation).
	2-3	Connects SHDN to GND (shutdown).
JU3	Installed	Connects the IN+ PCB pad to GND.
	Not installed*	Isolates the IN+ PCB pad from GND.
JU4	Installed*	Connects V _{SS} to GND.
	Not installed	Isolates V _{SS} from GND.

*Default position.

Ordering Information

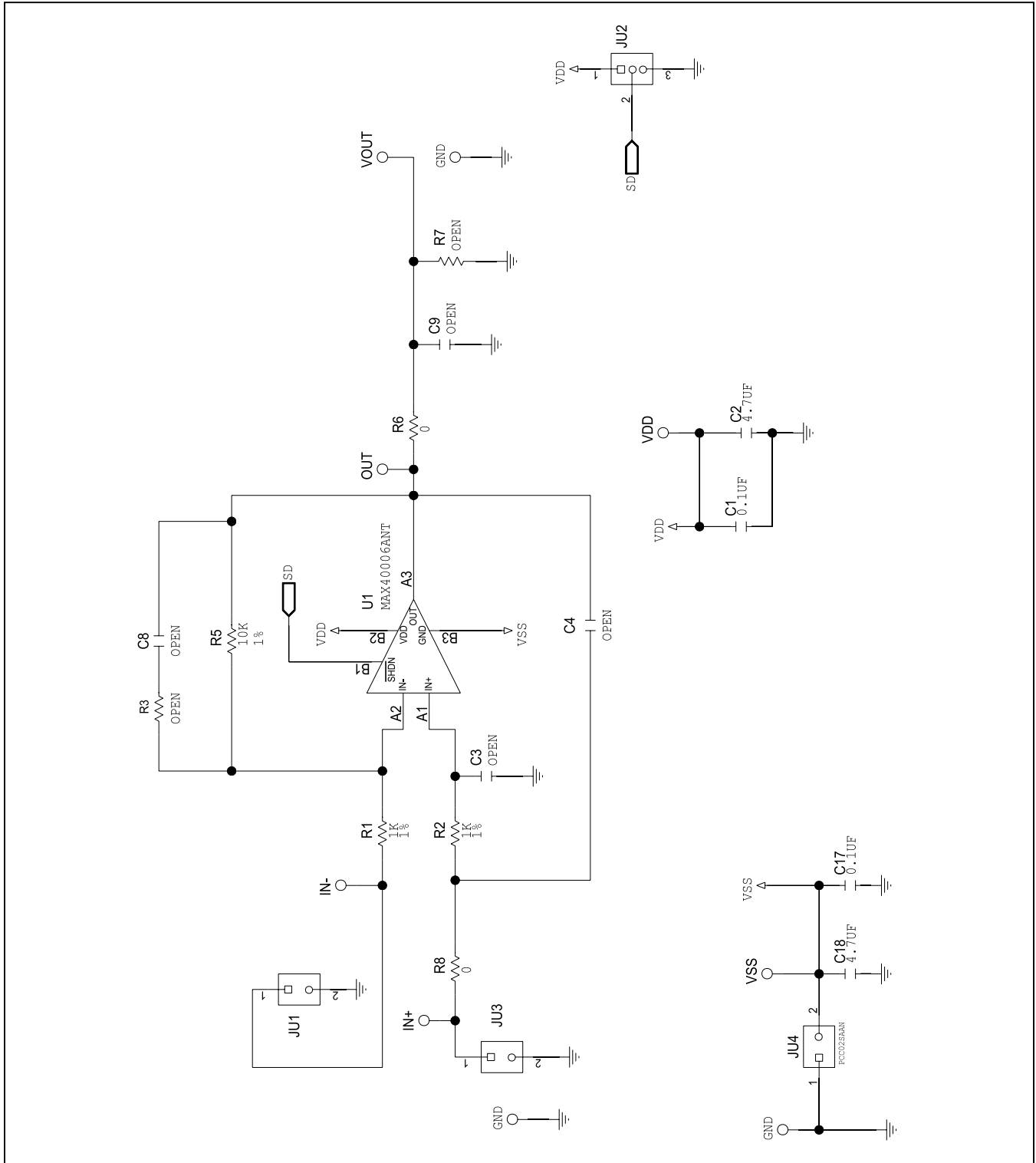
PART	TYPE
MAX40006EVKIT#	EV Kit

#Denotes RoHS compliant.

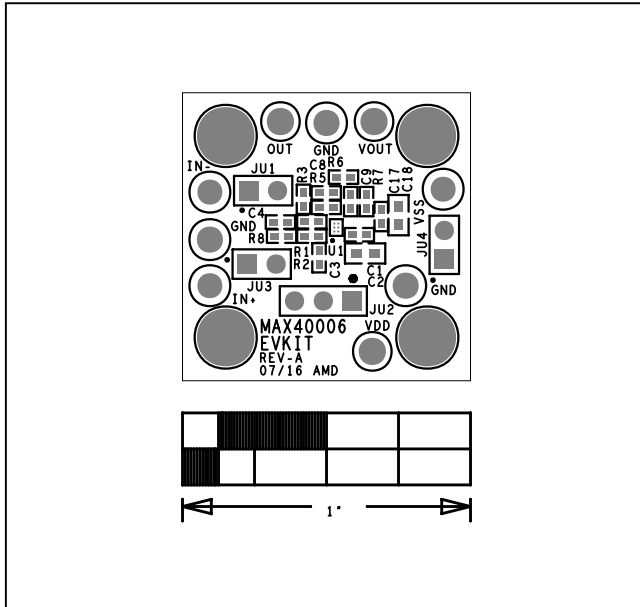
MAX40006 EV Kit Bill of Materials

PART	QTY	DESCRIPTION
C1, C17	2	CAPACITOR; SMT (0402); CERAMIC CHIP; 0.1UF; 25V; TOL=10%; MODEL=C SERIES; TG=-55 DEGC TO +125 DEGC; TC=X7R
C2, C18	2	CAPACITOR; SMT (0603); CERAMIC CHIP; 4.7UF; 10V; TOL=10%; TG=-55 DEGC TO +125 DEGC; TC=X7S
IN+, IN-	2	TEST POINT; PIN DIA=0.125IN; TOTAL LENGTH=0.35IN; BOARD HOLE=0.063IN; WHITE; PHOSPHOR BRONZE WIRE SILVER PLATE FINISH;
JU1, JU3, JU4	3	CONNECTOR; MALE; THROUGH HOLE; BREAKAWAY; STRAIGHT THROUGH; 2PINS; -65 DEGC TO +125 DEGC
JU2	1	CONNECTOR; MALE; THROUGH HOLE; BREAKAWAY; STRAIGHT; 3PINS
OUT, VDD, OUT	3	TESTPOINT WITH 1.80MM HOLE DIA, RED, MULTIPURPOSE;
R1, R2	2	RESISTOR; 0402; 1K OHM; 1%; 100PPM; 0.063W; THICK FILM
R5	1	RESISTOR; 0402; 10K OHM; 1%; 100PPM; 0.063W; THICK FILM
R6, R8	2	RESISTOR; 0402; 0 OHM; 0%; JUMPER; 0.10W; THICK FILM
TP1-TP3	3	TEST POINT; PIN DIA=0.125IN; TOTAL LENGTH=0.445IN; BOARD HOLE=0.063IN; BLACK; PHOSPHOR BRONZE WIRE SILVER PLATE FINISH;
U1	1	EVKIT PART-IC; MAX40006ANT; OZ25; 4UA OPAMP WITH SHUT-DOWN; PACKAGE OUTLINE: 21-100086; PACKAGE CODE: N60D1-1; WLP6
VSS	1	TEST POINT; PIN DIA=0.125IN; TOTAL LENGTH=0.35IN; BOARD HOLE=0.063IN; YELLOW; PHOSPHOR BRONZE WIRE SILVER PLATE FINISH;
C3, C4, C8, C9	0	PACKAGE OUTLINE 0402 NON-POLAR CAPACITOR
R3, R7	0	PACKAGE OUTLINE 0402 RESISTOR
PCB	1	PCB Board:MAX40006 EVALUATION KIT

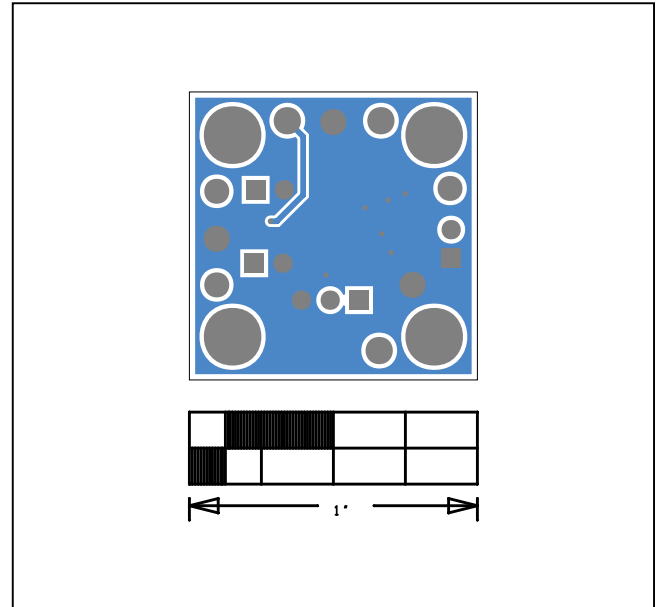
MAX40006 EV Kit Schematics



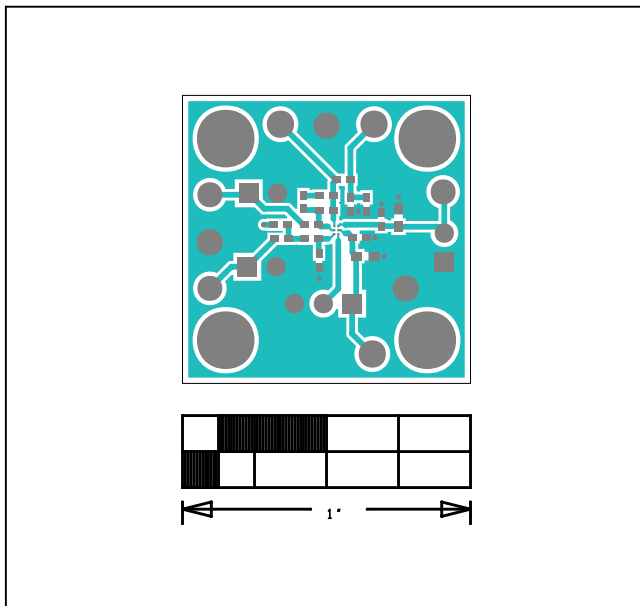
MAX40006 EV Kit PCB Layout



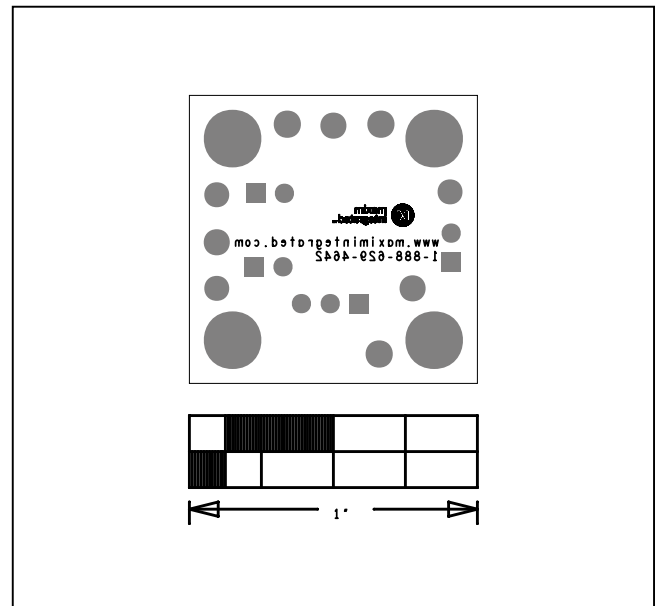
MAX4006 EV Kit—Top



MAX4006 EV Kit—Bottom



MAX4006 EV Kit—Top Silkscreen



MAX4006 EV Kit—Bottom Silkscreen

Revision History

REVISION NUMBER	REVISION DATE	DESCRIPTION	PAGES CHANGED
0	10/16	Initial release	—

For pricing, delivery, and ordering information, please contact Maxim Direct at 1-888-629-4642, or visit Maxim Integrated's website at www.maximintegrated.com.

Maxim Integrated cannot assume responsibility for use of any circuitry other than circuitry entirely embodied in a Maxim Integrated product. No circuit patent licenses are implied. Maxim Integrated reserves the right to change the circuitry and specifications without notice at any time.

X-ON Electronics

Largest Supplier of Electrical and Electronic Components

Click to view similar products for [Amplifier IC Development Tools](#) category:

Click to view products by [Maxim](#) manufacturer:

Other Similar products are found below :

[AD8033AKS-EBZ](#) [AD8044AR-EBZ](#) [AD744JR-EBZ](#) [AD8023AR-EBZ](#) [AD848JR-EBZ](#) [ADA4922-1ACP-EBZ](#) [EVAL-ADCMP553BRMZ](#)
[EVAL-ADCMP608BKSZ](#) [MIOP 42109](#) [EVAL-ADCMP609BRMZ](#) [ADA4950-1YCP-EBZ](#) [MAX2634EVKIT](#) [ISL28158EVAL1Z](#) [MADL-](#)
[011014-001SMB](#) [AD8137YCP-EBZ](#) [EVAL-ADA4523-1ARMZ](#) [EVAL01-HMC1013LP4E](#) [MCP6XXXEV-AMP3](#) [MCP6XXXEV-AMP4](#)
[MCP6XXXEV-AMP2](#) [ISL28006FH-100EVAL1Z](#) [551012922-001/NOPB](#) [EVAL-ADCMP603BCPZ](#) [AMC1200EVM](#) [AD8417RM-EVALZ](#)
[DEM-OPA-SOT-1A](#) [DEM-OPA-SO-1C](#) [DEM-BUF-SOT-1A](#) [OPA2836IDGSEVM](#) [AD633-EVALZ](#) [AD8418R-EVALZ](#)
[ISL28433SOICEVAL1Z](#) [ISL28233SOICEVAL1Z](#) [ISL28208SOICEVAL2Z](#) [ISL28207SOICEVAL2Z](#) [ISL28006FH-50EVAL1Z](#)
[ISL28005FH-50EVAL1Z](#) [120257-HMC613LC4B](#) [DC1591A](#) [DC1150A](#) [DC1115A](#) [DC954A-C](#) [DC306A-A](#) [DC1192A](#) [131679-](#)
[HMC813LC4B](#) [OPA2835IDGSEVM](#) [LMH730220/NOPB](#) [MAAP-011246-1SMB](#) [118329-HMC627ALP5](#) [125932-HMC874LC3C](#)