

## Single/Dual/Quad, Wide-Bandwidth, Low-Power, Single-Supply, Rail-to-Rail I/O Op Amps

### General Description

The MAX4130–MAX4134 family of operational amplifiers combines 10MHz gain-bandwidth product and excellent DC accuracy with rail-to-rail operation at the inputs and outputs. These devices require only 900µA per amplifier, and operate from either a single supply (+2.7V to +6.5V) or dual supplies ( $\pm 1.35V$  to  $\pm 3.25V$ ) with a common-mode voltage range that extends 250mV beyond  $V_{EE}$  and  $V_{CC}$ . They are capable of driving 250Ω loads and are unity-gain stable. In addition, the MAX4131/MAX4133 feature a shutdown mode in which the outputs are placed in a high-impedance state and the supply current is reduced to only 25µA per amplifier.

With their rail-to-rail input common-mode range and output swing, the MAX4130–MAX4134 are ideal for low-voltage, single-supply operation. Although the minimum operating voltage is specified at 2.7V, the devices typically operate down to 1.8V. In addition, low offset voltage and high speed make them the ideal signal-conditioning stages for precision, low-voltage data-acquisition systems. The MAX4130 is offered in the space-saving 5-pin SOT23 package. The MAX4131 is offered in the ultra-small 6-bump, 1mm x 1.5mm chip-scale package (UCSP™).

### Selector Guide

| PART    | AMPS PER PACKAGE | SHUTDOWN MODE | PIN-PACKAGE          |
|---------|------------------|---------------|----------------------|
| MAX4130 | 1                | —             | 5 SOT23              |
| MAX4131 | 1                | Yes           | 6 UCSP,<br>8 µMAX/SO |
| MAX4132 | 2                | —             | 8 µMAX/SO            |
| MAX4133 | 2                | Yes           | 14 SO                |
| MAX4134 | 4                | —             | 14 SO                |

### Applications

- Battery-Powered Instruments
- Portable Equipment
- Data-Acquisition Systems
- Signal Conditioning
- Low-Power, Low-Voltage Applications

**Pin Configurations appear at end of data sheet.**

*UCSP is a trademark of Maxim Integrated Products, Inc.*

### Features

- ◆ 6-Bump UCSP (MAX4131)
- ◆ +2.7V to +6.5V Single-Supply Operation
- ◆ Rail-to-Rail Input Common-Mode Voltage Range
- ◆ Rail-to-Rail Output Voltage Swing
- ◆ 10MHz Gain-Bandwidth Product
- ◆ 900µA Quiescent Current per Amplifier
- ◆ 25µA Shutdown Function (MAX4131/MAX4133)
- ◆ 200µV Offset Voltage
- ◆ No Phase Reversal for Overdriven Inputs
- ◆ Drive 250Ω Loads
- ◆ Stable with 160pF Capacitive Loads
- ◆ Unity-Gain Stable

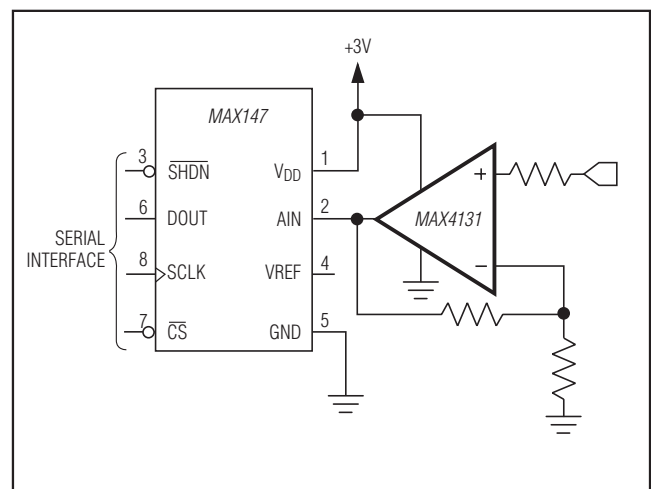
### Ordering Information

| PART         | TEMP RANGE     | PIN-PACKAGE | TOP MARK |
|--------------|----------------|-------------|----------|
| MAX4130EUK-T | -40°C to +85°C | 5 SOT23     | AABB     |
| MAX4131C/D   | 0°C to +70°C   | Dice*       | —        |
| MAX4131EBT-T | -40°C to +85°C | 6 UCSP      | AAX      |
| MAX4131EUA   | -40°C to +85°C | 8 µMAX      | —        |
| MAX4131ESA   | -40°C to +85°C | 8 SO        | —        |

\*Dice are specified at  $T_A = +25^\circ\text{C}$ . DC parameters only.

**Ordering Information continued at end of data sheet.**

### Typical Operating Circuit



**For pricing, delivery, and ordering information, please contact Maxim Direct at 1-888-629-4642, or visit Maxim's website at [www.maximintegrated.com](http://www.maximintegrated.com).**

# MAX4130–MAX4134

## Single/Dual/Quad, Wide-Bandwidth, Low-Power, Single-Supply, Rail-to-Rail I/O Op Amps

### ABSOLUTE MAXIMUM RATINGS

|  |  |  |                 |
|--|--|--|-----------------|
| Supply Voltage ( $V_{CC} - V_{EE}$ ).....                  | 7.5V                                       | 8-Pin $\mu$ MAX (derate 4.10mW/°C above +70°C) ..... | 330mW           |
| IN+, IN-, $\overline{\text{SHDN}}$ Voltage .....           | ( $V_{CC} + 0.3V$ ) to ( $V_{EE} - 0.3V$ ) | 14-Pin SO (derate 8.00mW/°C above +70°C).....        | 640mW           |
| Output Short-Circuit Duration (Note 1).....                | Continuous<br>(short to either supply)     | Operating Temperature Range                          |                 |
| Continuous Power Dissipation ( $T_A = +70^\circ\text{C}$ ) |  | MAX413_E_ .....                                      | -40°C to +85°C  |
| 5-Pin SOT23 (derate 7.1mW/°C above +70°C).....             | 571mW                                      | Maximum Junction Temperature .....                   | +150°C          |
| 6-Bump UCSP (derate 2.9mW/°C above +70°C).....             | 308mW                                      | Storage Temperature Range .....                      | -65°C to +160°C |
| 8-Pin SO (derate 5.88mW/°C above +70°C).....               | 471mW                                      | Lead Temperature (soldering, 10s) .....              | +300°C          |
|  |  | Bump Reflow Temperature .....                        | +235°C          |

**Note 1:** Provided that the maximum package power-dissipation rating is not exceeded.

Stresses beyond those listed under "Absolute Maximum Ratings" may cause permanent damage to the device. These are stress ratings only, and functional operation of the device at these or any other conditions beyond those indicated in the operational sections of the specifications is not implied. Exposure to absolute maximum rating conditions for extended periods may affect device reliability.

### DC ELECTRICAL CHARACTERISTICS

( $V_{CC} = +2.7V$  to  $+6.5V$ ,  $V_{EE} = 0V$ ,  $V_{CM} = 0V$ ,  $V_{OUT} = V_{CC}/2$ ,  $R_L$  tied to  $V_{CC}/2$ ,  $\overline{\text{SHDN}} \geq 2V$  (or open),  $T_A = +25^\circ\text{C}$ , unless otherwise noted.)

| PARAMETER                       | SYMBOL    | CONDITIONS   | MIN                       | TYP        | MAX             | UNITS      |
|---------------------------------|-----------|--|---------------------------|------------|-----------------|------------|
| Input Offset Voltage            | $V_{OS}$  | $V_{CM} = V_{EE}$ to $V_{CC}$                                | MAX4130EUK                | $\pm 0.35$ | $\pm 1.50$      | mV         |
|                                 |           |  | MAX4131ESA                | $\pm 0.20$ | $\pm 0.60$      |            |
|                                 |           |  | MAX4131EUA/<br>MAX4131EBT | $\pm 0.35$ | $\pm 1.20$      |            |
|                                 |           |  | MAX4132ESA/<br>MAX4133ESD | $\pm 0.25$ | $\pm 0.75$      |            |
|                                 |           |  | MAX4132EUA                | $\pm 0.40$ | $\pm 1.50$      |            |
|                                 |           |  | MAX4134ESD                | $\pm 0.35$ | $\pm 1.50$      |            |
| Input Bias Current              | $I_B$     | $V_{CM} = V_{EE}$ to $V_{CC}$                                |                           | $\pm 50$   | $\pm 150$       | nA         |
| Input Offset Current            | $I_{OS}$  | $V_{CM} = V_{EE}$ to $V_{CC}$                                | MAX4131EBT                |            | $\pm 15$        | nA         |
|                                 |           |  | All other packages        |            | $\pm 12$        |            |
| Differential Input Voltage      | $R_{IN}$  | $-1.5V < V_{DIFF} < 1.5V$                                    |                           | 500        |                 | k $\Omega$ |
| Common-Mode Input Voltage Range | $CMVR$    |  | $V_{EE} - 0.25$           |            | $V_{CC} + 0.25$ | V          |
| Common-Mode Rejection Ratio     | $CMRR$    | $V_{EE} - 0.25V < V_{CM} < V_{CC} + 0.25V$                   | MAX4130EUK                | 67         | 90              | dB         |
|                                 |           |  | MAX4131ESA                | 78         | 98              |            |
|                                 |           |  | MAX4131EUA/<br>MAX4131EBT | 68         | 88              |            |
|                                 |           |  | MAX4132ESA/<br>MAX4133ESD | 74         | 94              |            |
|                                 |           |  | MAX4132EUA                | 66         | 86              |            |
|                                 |           |  | MAX4134ESD                | 64         | 84              |            |
| Power-Supply Rejection Ratio    | $PSRR$    | $V_{CC} = 2.7V$ to $6.5V$                                    | 78                        | 100        |                 | dB         |
| Output Resistance               | $R_{OUT}$ | $A_V = 1$  |                           | 0.1        |                 | $\Omega$   |
| Off-Leakage Current             | $I_{LKG}$ | $\overline{\text{SHDN}} < 0.8V$ , $V_{OUT} = 0V$ to $V_{CC}$ |                           | $\pm 0.1$  | $\pm 1$         | $\mu A$    |

# MAX4130–MAX4134

## Single/Dual/Quad, Wide-Bandwidth, Low-Power, Single-Supply, Rail-to-Rail I/O Op Amps

### DC ELECTRICAL CHARACTERISTICS (continued)

( $V_{CC} = +2.7V$  to  $+6.5V$ ,  $V_{EE} = 0V$ ,  $V_{CM} = 0V$ ,  $V_{OUT} = V_{CC}/2$ ,  $R_L$  tied to  $V_{CC}/2$ ,  $\overline{SHDN} \geq 2V$  (or open),  $T_A = +25^\circ C$ , unless otherwise noted.)

| PARAMETER                             | SYMBOL            | CONDITIONS                                     |  | MIN               | TYP     | MAX     | UNITS   |
|---------------------------------------|-------------------|--|--|-------------------|---------|---------|---------|
| Large-Signal Voltage Gain             | $A_v$             | $V_{CC} = 2.7V$                                | $V_{OUT} = 0.25V$ to $2.45V$ ,<br>$R_L = 100k\Omega$ | 92                | 108     |         | dB      |
|                                       |                   |  | $V_{OUT} = 0.4V$ to $2.3V$ ,<br>$R_L = 250\Omega$    | 72                | 82      |         |         |
|                                       |                   | $V_{CC} = 5V$                                  | $V_{OUT} = 0.25V$ to $4.75V$ ,<br>$R_L = 100k\Omega$ | 94                | 108     |         |         |
|                                       |                   |  | $V_{OUT} = 0.4V$ to $4.6V$ ,<br>$R_L = 250\Omega$    | 75                | 86      |         |         |
| Output Voltage Swing                  | $V_O$             | MAX4130/<br>MAX4131                            | $R_L = 100k\Omega$                                   | $V_{CC} - V_{OH}$ | 12      | 20      | mV      |
|                                       |                   |  |  | $V_{OL} - V_{EE}$ | 20      | 35      |         |
|                                       |                   | $R_L = 250\Omega$                              | $V_{CC} - V_{OH}$                                    | 240               | 290     |         |         |
|                                       |                   |  | $V_{OL} - V_{EE}$                                    | 125               | 170     |         |         |
|                                       |                   | MAX4132/<br>MAX4133/<br>MAX4134                | $R_L = 100k\Omega$                                   | $V_{CC} - V_{OH}$ | 15      | 30      |         |
|                                       |                   |  |  | $V_{OL} - V_{EE}$ | 25      | 40      |         |
| $R_L = 250\Omega$                     | $V_{CC} - V_{OH}$ | 280  | 330  |                   |         |         |         |
| $V_{OL} - V_{EE}$                     | 180               | 230  |  |                   |         |         |         |
| Output Short-Circuit Current          | $I_{SC}$          |  |  | 50                |         |         | mA      |
| $\overline{SHDN}$ Logic Threshold     | $V_{IL}$          | MAX4131–MAX4134                                | Low  |                   |         | 0.8     | V       |
|                                       | $V_{IH}$          |  | High   | 2.0               |         |         |         |
| $\overline{SHDN}$ Input Current       | $I_{IL}$          | MAX4131–MAX4134                                |  |                   | $\pm 1$ | $\pm 3$ | $\mu A$ |
| Operating Supply Voltage Range        | $V_{CC}$          |  |  | 2.7               |         | 6.5     | V       |
| Supply Current per Amplifier          | $I_{CC}$          | $V_{CM} = V_{OUT} = V_{CC}/2$                  | $V_{CC} = 2.7V$                                      |                   | 900     | 1050    | $\mu A$ |
|                                       |                   |  | $V_{CC} = 5V$  |                   | 1000    | 1150    |         |
| Shutdown Supply Current per Amplifier | $I_{SHDN}$        | $\overline{SHDN} > 0.8V$ , MAX4131–<br>MAX4134 | $V_{CC} = 2.7V$                                      |                   | 25      | 40      | $\mu A$ |
|                                       |                   |  | $V_{CC} = 5V$  |                   | 40      | 60      |         |

### DC ELECTRICAL CHARACTERISTICS

( $V_{CC} = +2.7V$  to  $+6.5V$ ,  $V_{EE} = 0V$ ,  $V_{CM} = 0V$ ,  $V_{OUT} = V_{CC}/2$ ,  $R_L$  tied to  $V_{CC}/2$ ,  $\overline{SHDN} \geq 2V$  (or open),  $T_A = -40^\circ C$  to  $+85^\circ C$ , unless otherwise noted.) (Note 2)

| PARAMETER                   | SYMBOL     | CONDITIONS                       |                       | MIN | TYP     | MAX        | UNITS            |
|-----------------------------|------------|----------------------------------|-----------------------|-----|---------|------------|------------------|
| Input Offset Voltage        | $V_{OS}$   | $V_{CM} = V_{EE}$ to<br>$V_{CC}$ | MAX4130EUK            |     |         | $\pm 3.50$ | mV               |
|                             |            |                                  | MAX4131ESA            |     |         | $\pm 0.75$ |                  |
|                             |            |                                  | MAX4131EUA/MAX4131EBT |     |         | $\pm 4.40$ |                  |
|                             |            |                                  | MAX4132ESA/MAX4133ESD |     |         | $\pm 0.95$ |                  |
|                             |            |                                  | MAX4132EUA            |     |         | $\pm 4.70$ |                  |
|                             |            |                                  | MAX4134ESD            |     |         | $\pm 4.00$ |                  |
| Input Offset Voltage Tempco | $TCV_{OS}$ |                                  |                       |     | $\pm 2$ |            | $\mu V/^\circ C$ |
| Input Bias Current          | $I_B$      | $V_{CM} = V_{EE}$ to $V_{CC}$    |                       |     |         | $\pm 160$  | nA               |

# MAX4130–MAX4134

## Single/Dual/Quad, Wide-Bandwidth, Low-Power, Single-Supply, Rail-to-Rail I/O Op Amps

### DC ELECTRICAL CHARACTERISTICS

( $V_{CC} = +2.7V$  to  $+6.5V$ ,  $V_{EE} = 0V$ ,  $V_{CM} = 0V$ ,  $V_{OUT} = V_{CC}/2$ ,  $R_L$  tied to  $V_{CC}/2$ ,  $\overline{SHDN} \geq 2V$  (or open),  $T_A = -40^\circ C$  to  $+85^\circ C$ , unless otherwise noted.) (Note 2)

| PARAMETER                       | SYMBOL                            | CONDITIONS  |   | MIN                               | TYP | MAX                    | UNITS |
|---------------------------------|-----------------------------------|---|---|-----------------------------------|-----|------------------------|-------|
| Input Offset Current            | I <sub>OS</sub>                   | V <sub>CM</sub> = V <sub>EE</sub> to V <sub>CC</sub>                | MAX4131EBT  |                                   |     | ±24                    | nA    |
|                                 |                                   |   | All other packages  |                                   |     | ±18                    |       |
| Common-Mode Input Voltage Range | CMVR                              |   |   | V <sub>EE</sub> - 0.20            |     | V <sub>CC</sub> + 0.20 | V     |
| Common-Mode Rejection Ratio     | CMRR                              | V <sub>EE</sub> - 0.2V < V <sub>CM</sub> < V <sub>CC</sub> + 0.2V   | MAX4130EUK  | 62                                |     |                        | dB    |
|                                 |                                   |   | MAX4131ESA  | 76                                |     |                        |       |
|                                 |                                   |   | MAX4131EUA/MAX4131EBT                                     | 60                                |     |                        |       |
|                                 |                                   |   | MAX4132ESA/MAX4133ESD                                     | 74                                |     |                        |       |
|                                 |                                   |   | MAX4132EUA  | 58                                |     |                        |       |
| MAX4134ESD                      | 60                                |   |   |                                   |     |                        |       |
| Power-Supply Rejection Ratio    | PSRR                              | V <sub>CC</sub> = 2.7V to 6.5V                                      |   | 74                                |     |                        | dB    |
| Off-Leakage Current             | I <sub>LKG</sub>                  | $\overline{SHDN} < 0.8V$ , V <sub>OUT</sub> = 0V to V <sub>CC</sub> |   |                                   |     | ±12                    | μA    |
| Large-Signal Voltage Gain       | A <sub>v</sub>                    | V <sub>CC</sub> = 2.7V  | V <sub>OUT</sub> = 0.25V to 2.45V, R <sub>L</sub> = 100kΩ | 84                                |     |                        | dB    |
|                                 |                                   |   | V <sub>OUT</sub> = 0.4V to 2.3V, R <sub>L</sub> = 250Ω    | 66                                |     |                        |       |
|                                 |                                   | V <sub>CC</sub> = 5V  | V <sub>OUT</sub> = 0.25V to 4.75V, R <sub>L</sub> = 100kΩ | 86                                |     |                        |       |
|                                 |                                   |   | V <sub>OUT</sub> = 0.4V to 4.6V, R <sub>L</sub> = 250Ω    | 68                                |     |                        |       |
| Output Voltage Swing            | V <sub>O</sub>                    | MAX4130/<br>MAX4131ESA/<br>MAX4131EUA                               | R <sub>L</sub> = 100kΩ                                    | V <sub>CC</sub> - V <sub>OH</sub> |     | 25                     | mV    |
|                                 |                                   |   |   | V <sub>OL</sub> - V <sub>EE</sub> |     | 40                     |       |
|                                 |                                   |   | R <sub>L</sub> = 250Ω                                     | V <sub>CC</sub> - V <sub>OH</sub> |     | 300                    |       |
|                                 |                                   |   |   | V <sub>OL</sub> - V <sub>EE</sub> |     | 190                    |       |
|                                 |                                   | MAX4131EBT  | R <sub>L</sub> = 100kΩ                                    | V <sub>CC</sub> - V <sub>OH</sub> |     | 25                     |       |
|                                 |                                   |   |   | V <sub>OL</sub> - V <sub>EE</sub> |     | 40                     |       |
|                                 |                                   |   | R <sub>L</sub> = 250Ω                                     | V <sub>CC</sub> - V <sub>OH</sub> |     | 350                    |       |
|                                 |                                   |   |   | V <sub>OL</sub> - V <sub>EE</sub> |     | 190                    |       |
|                                 |                                   | MAX4132/<br>MAX4133/<br>MAX4134                                     | R <sub>L</sub> = 100kΩ                                    | V <sub>CC</sub> - V <sub>OH</sub> |     | 35                     |       |
|                                 |                                   |   |   | V <sub>OL</sub> - V <sub>EE</sub> |     | 50                     |       |
| R <sub>L</sub> = 250Ω           | V <sub>CC</sub> - V <sub>OH</sub> |   |   | 350                               |     |                        |       |
|                                 | V <sub>OL</sub> - V <sub>EE</sub> |   |   | 250                               |     |                        |       |

# MAX4130–MAX4134

## Single/Dual/Quad, Wide-Bandwidth, Low-Power, Single-Supply, Rail-to-Rail I/O Op Amps

### DC ELECTRICAL CHARACTERISTICS (continued)

( $V_{CC} = +2.7V$  to  $+6.5V$ ,  $V_{EE} = 0V$ ,  $V_{CM} = 0V$ ,  $V_{OUT} = V_{CC}/2$ ,  $R_L$  tied to  $V_{CC}/2$ ,  $\overline{SHDN} \geq 2V$  (or open),  $T_A = -40^\circ C$  to  $+85^\circ C$ , unless otherwise noted.) (Note 2)

| PARAMETER                             | SYMBOL                | CONDITIONS                                    |                   | MIN             | TYP | MAX     | UNITS   |
|---------------------------------------|-----------------------|---|-------------------|-----------------|-----|---------|---------|
| $\overline{SHDN}$ Logic Threshold     | $V_{IL}$              | MAX4131–MAX4134                               | Low               |                 |     | 0.8     | V       |
|                                       | $V_{IH}$              |   | High              | 2.0             |     |         |         |
| $\overline{SHDN}$ Input Current       | $I_{IL}$              | MAX4131–MAX4134                               |                   |                 |     | $\pm 3$ | $\mu A$ |
| Operating Supply Voltage Range        | $V_{CC}$              |   |                   | 2.7             |     | 6.5     | V       |
| Supply Current per Amplifier          | $I_{CC}$              | $V_{CM} = V_{OUT} = V_{CC}/2$                 | MAX4131EBT        | $V_{CC} = 2.7V$ |     | 1200    | $\mu A$ |
|                                       |                       |   |                   | $V_{CC} = 5V$   |     | 1350    |         |
|                                       |                       |   | All other devices | $V_{CC} = 2.7V$ |     | 1100    |         |
|                                       |                       |   |                   | $V_{CC} = 5V$   |     | 1200    |         |
| Shutdown Supply Current per Amplifier | $I_{\overline{SHDN}}$ | $\overline{SHDN} > 0.8V$ ,<br>MAX4131–MAX4134 | $V_{CC} = 2.7V$   |                 | 50  | $\mu A$ |         |
|                                       |                       |   | $V_{CC} = 5V$     |                 | 70  |         |         |

**Note 2:** All devices are 100% tested at  $T_A = +25^\circ C$ . MAX4130EUK/MAX4131EBT temperature limits are guaranteed by design.

### AC ELECTRICAL CHARACTERISTICS

( $V_{CC} = +2.7V$  to  $+6.5V$ ,  $V_{EE} = 0V$ ,  $\overline{SHDN} \geq 2V$  (or open),  $T_A = +25^\circ C$ , unless otherwise noted.)

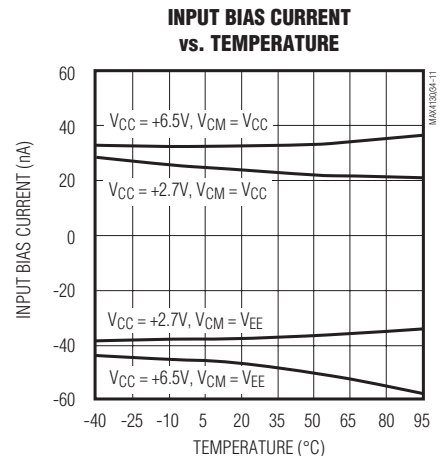
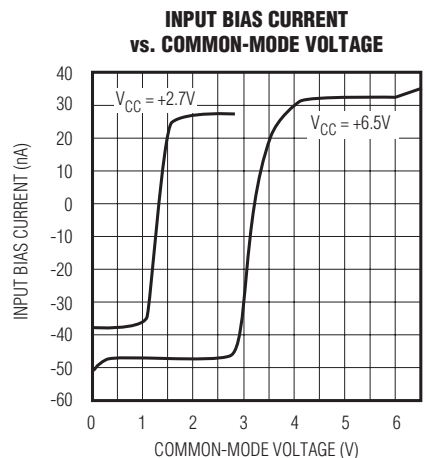
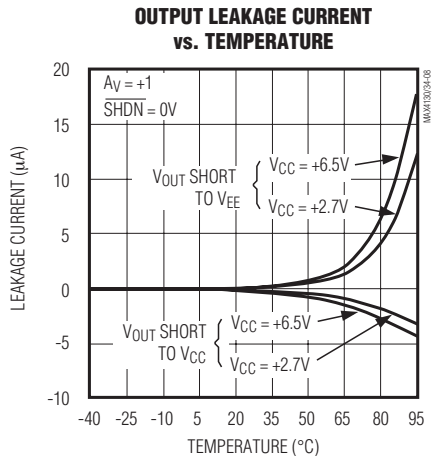
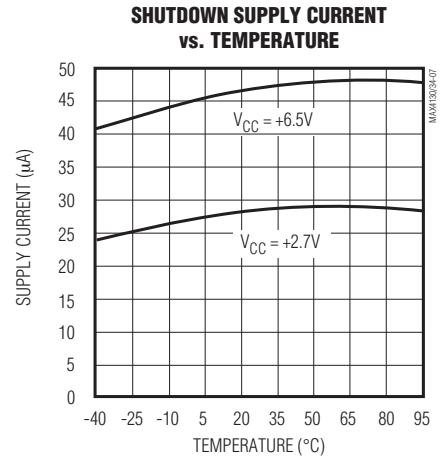
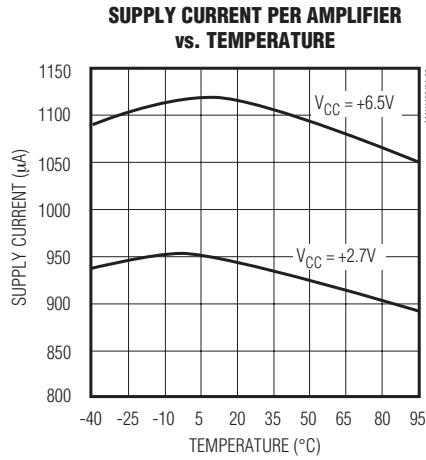
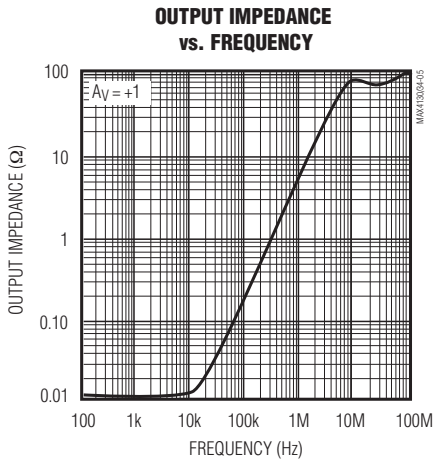
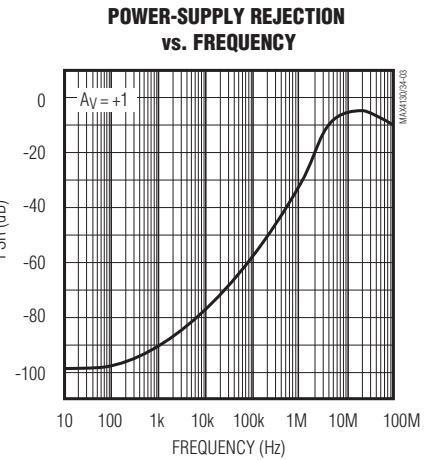
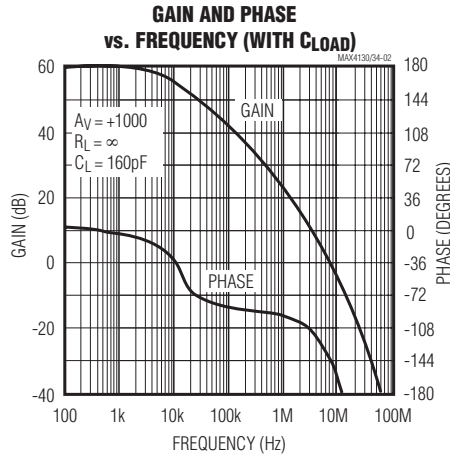
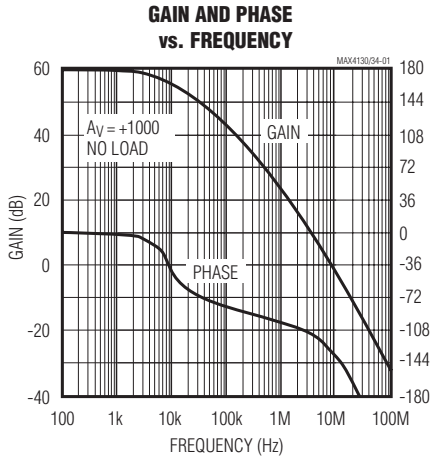
| PARAMETER                   | SYMBOL     | CONDITIONS   |         | MIN | TYP   | MAX | UNITS          |
|-----------------------------|------------|--|---------|-----|-------|-----|----------------|
| Gain-Bandwidth Product      | GBWP       |  |         |     | 10    |     | MHz            |
| Phase Margin                | $\theta_M$ |  |         |     | 62    |     | Degrees        |
| Gain Margin                 | $G_M$      |  |         |     | 12    |     | dB             |
| Total Harmonic Distortion   | THD        | $f = 10kHz$ , $V_{OUT} = 2V_{P-P}$ ( $A_V = 1$ )         |         |     | 0.003 |     | %              |
| Slew Rate                   | SR         |  |         |     | 4     |     | V/ $\mu s$     |
| Settling Time to 0.01%      | $t_s$      | $A_V = 1$ , $V_{OUT} = 2V$ step                          |         |     | 2.0   |     | $\mu s$        |
| Turn-On Time                | $t_{ON}$   | $V_{CC} = 0V$ to $3V$ step, $V_{OUT} = V_{CC}/2$         |         |     | 1     |     | $\mu s$        |
| $\overline{SHDN}$ Delay     |            | MAX4131–MAX4134,<br>$V_{CC} = 3V$ , $V_{OUT} = V_{CC}/2$ | Enable  |     | 1     |     | $\mu s$        |
|                             |            |  | Disable |     | 0.2   |     |                |
| Input Capacitance           | $C_{IN}$   |  |         |     | 3     |     | pF             |
| Input Noise-Voltage Density | $e_n$      | $f = 1kHz$   |         |     | 22    |     | $nV/\sqrt{Hz}$ |
| Input Noise-Current Density | $i_n$      | $f = 1kHz$   |         |     | 0.4   |     | $pA/\sqrt{Hz}$ |
| Capacitive-Load Stability   | $C_L$      | $A_V = 1$  |         |     | 160   |     | pF             |

# MAX4130-MAX4134

## Single/Dual/Quad, Wide-Bandwidth, Low-Power, Single-Supply, Rail-to-Rail I/O Op Amps

### Typical Operating Characteristics

( $V_{CC} = +5V$ ,  $V_{EE} = 0V$ ,  $V_{CM} = V_{CC} / 2$ ,  $T_A = +25^\circ C$ , unless otherwise noted.)



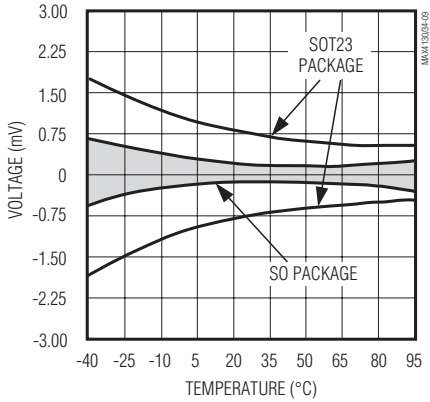
# MAX4130-MAX4134

## Single/Dual/Quad, Wide-Bandwidth, Low-Power, Single-Supply, Rail-to-Rail I/O Op Amps

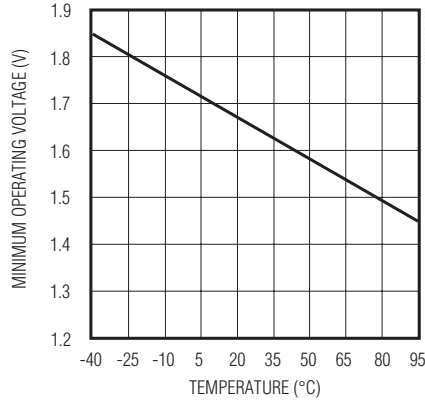
### Typical Operating Characteristics (continued)

( $V_{CC} = +5V$ ,  $V_{EE} = 0V$ ,  $V_{CM} = V_{CC} / 2$ ,  $T_A = +25^\circ C$ , unless otherwise noted.)

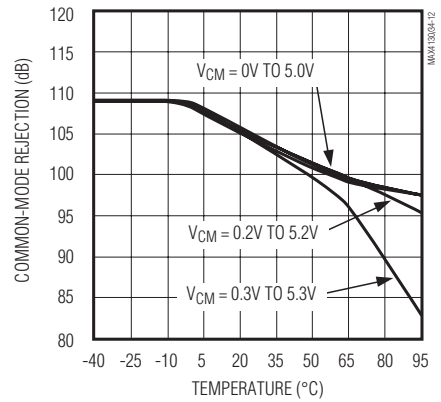
**INPUT OFFSET VOLTAGE vs. TEMPERATURE**



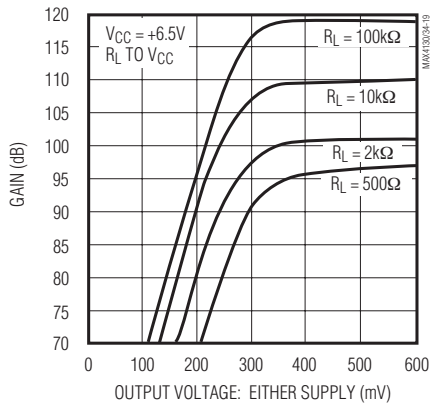
**MINIMUM OPERATING VOLTAGE vs. TEMPERATURE**



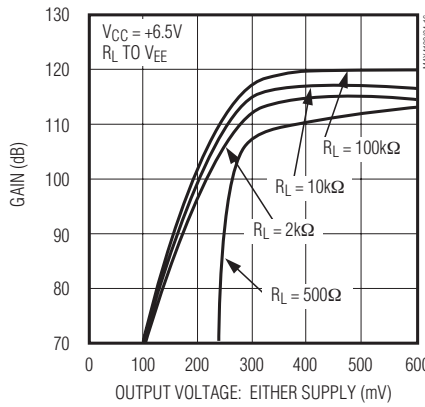
**COMMON-MODE REJECTION vs. TEMPERATURE**



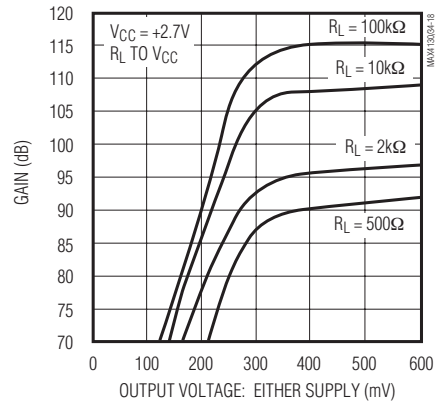
**LARGE-SIGNAL GAIN vs. OUTPUT VOLTAGE**



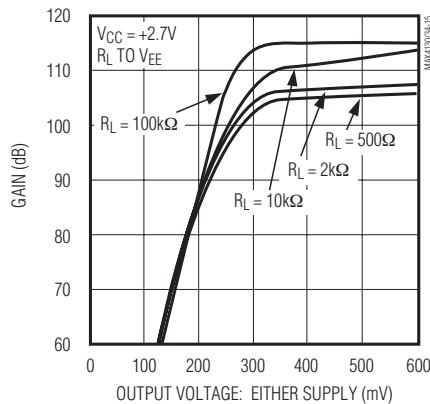
**LARGE-SIGNAL GAIN vs. OUTPUT VOLTAGE**



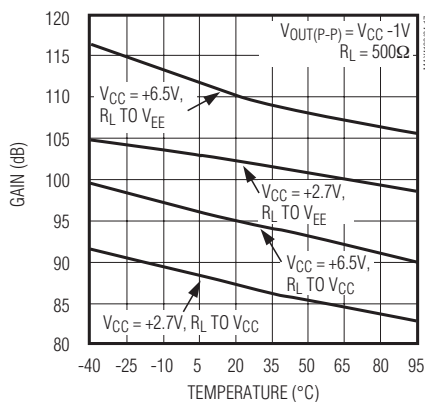
**LARGE-SIGNAL GAIN vs. OUTPUT VOLTAGE**



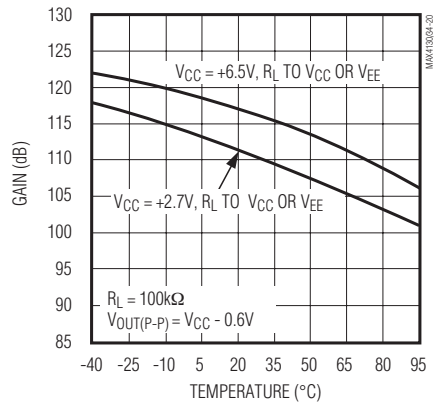
**LARGE-SIGNAL GAIN vs. OUTPUT VOLTAGE**



**LARGE-SIGNAL GAIN vs. TEMPERATURE**



**LARGE-SIGNAL GAIN vs. TEMPERATURE**



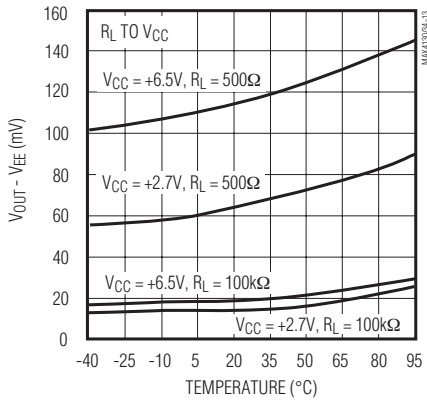
# MAX4130-MAX4134

## Single/Dual/Quad, Wide-Bandwidth, Low-Power, Single-Supply, Rail-to-Rail I/O Op Amps

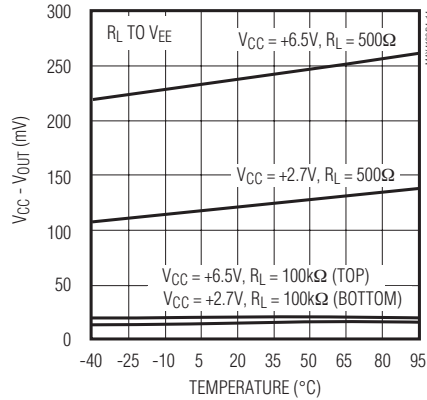
### Typical Operating Characteristics (continued)

( $V_{CC} = +5V$ ,  $V_{EE} = 0V$ ,  $V_{CM} = V_{CC} / 2$ ,  $T_A = +25^\circ C$ , unless otherwise noted.)

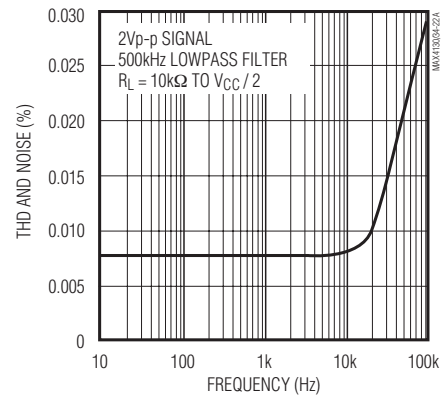
**MINIMUM OUTPUT VOLTAGE vs. TEMPERATURE**



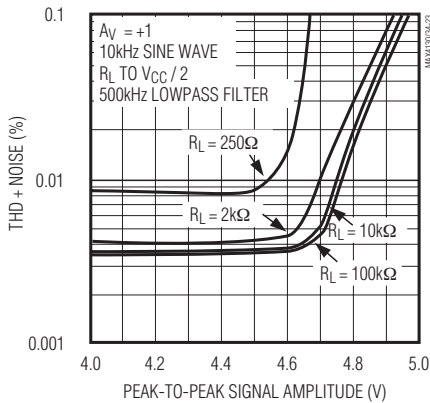
**MAXIMUM OUTPUT VOLTAGE vs. TEMPERATURE**



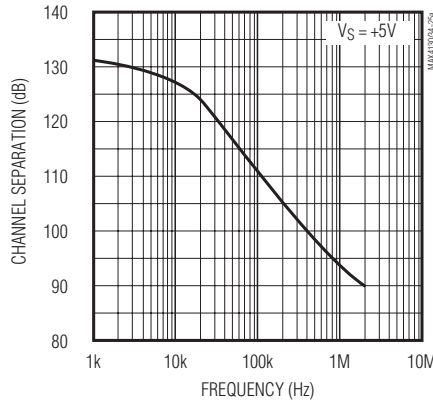
**TOTAL HARMONIC DISTORTION AND NOISE vs. FREQUENCY**



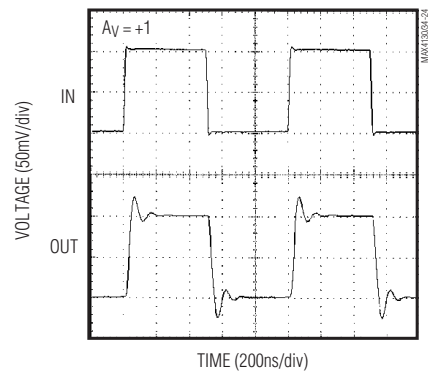
**TOTAL HARMONIC DISTORTION AND NOISE vs. PEAK-TO-PEAK SIGNAL AMPLITUDE**



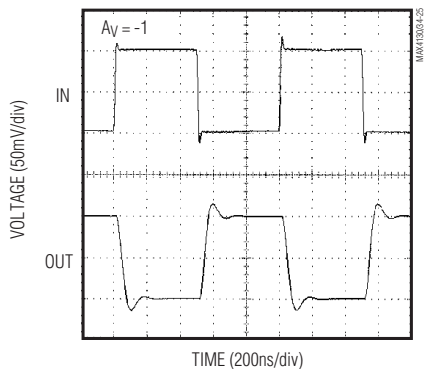
**CHANNEL SEPARATION vs. FREQUENCY**



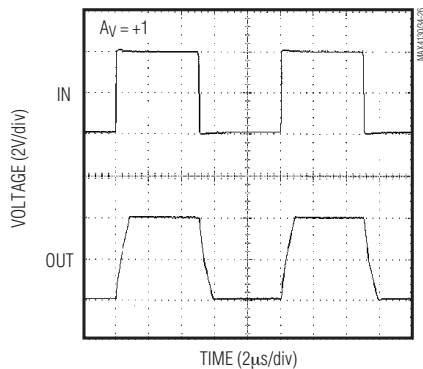
**MAX4131 SMALL-SIGNAL TRANSIENT RESPONSE (NONINVERTING)**



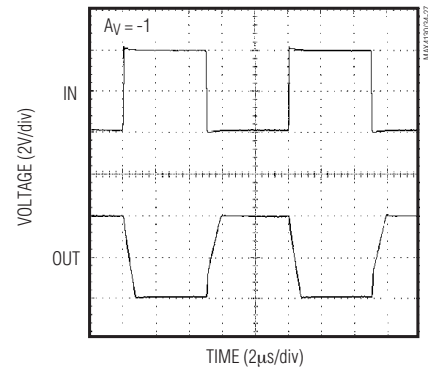
**MAX4131 SMALL-SIGNAL TRANSIENT RESPONSE (INVERTING)**



**MAX4131 LARGE-SIGNAL TRANSIENT RESPONSE (NONINVERTING)**



**MAX4131 LARGE-SIGNAL TRANSIENT RESPONSE (INVERTING)**





# MAX4130-MAX4134

## Single/Dual/Quad, Wide-Bandwidth, Low-Power, Single-Supply, Rail-to-Rail I/O Op Amps

### Pin Description

| MAX4130 | PIN           |      |         |             |         | NAME   | FUNCTION   |
|---------|---------------|------|---------|-------------|---------|--|--|
|         | MAX4131       |      | MAX4132 | MAX4133     | MAX4134 |  |  |
|         | SO/ $\mu$ MAX | UCSP |         |             |         |  |  |
| 1       | 6             | A2   | —       | —           | —       | OUT  | Output   |
| 2       | 4             | A1   | 4       | 4           | 11      | V <sub>EE</sub>  | Negative Supply. Connect to GND for single-supply operation.   |
| 3       | 3             | B1   | —       | —           | —       | IN+  | Noninverting Input   |
| 4       | 2             | B2   | —       | —           | —       | IN-  | Inverting Input  |
| 5       | 7             | A3   | 8       | 14          | 4       | V <sub>CC</sub>  | Positive Supply  |
| —       | 1, 5          | —    | —       | 5, 7, 8, 10 | —       | N.C.   | No Connection. Not internally connected.   |
| —       | 8             | B3   | —       | —           | —       | $\overline{\text{SHDN}}$                                 | Shutdown Control. Connect to V <sub>CC</sub> or leave floating to enable amplifier.  |
| —       | —             | —    | 1, 7    | 1, 13       | 1, 7    | OUT1, OUT2   | Outputs for Amps 1 and 2   |
| —       | —             | —    | 2, 6    | 2, 12       | 2, 6    | IN1-, IN2-   | Inverting Inputs for Amps 1 and 2  |
| —       | —             | —    | 3, 5    | 3, 11       | 3, 5    | IN1+, IN2+   | Noninverting Inputs for Amps 1 and 2   |
| —       | —             | —    | —       | 6, 9        | —       | $\overline{\text{SHDN1}}$ ,<br>$\overline{\text{SHDN2}}$ | Shutdown Control. Provides independent shutdown control for amps 1 and 2. Connect to V <sub>CC</sub> or leave floating to enable amplifiers. |
| —       | —             | —    | —       | —           | 8, 14   | OUT3,<br>OUT4  | Outputs for Amps 3 and 4   |
| —       | —             | —    | —       | —           | 9, 13   | IN3-, IN4-   | Inverting Inputs for Amps 3 and 4  |
| —       | —             | —    | —       | —           | 10, 12  | IN3+, IN4+   | Noninverting Inputs for Amps 3 and 4   |

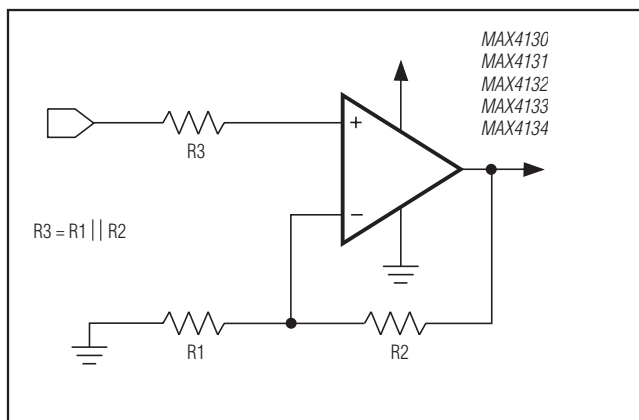


Figure 1a. Reducing Offset Error Due to Bias Current (Noninverting)

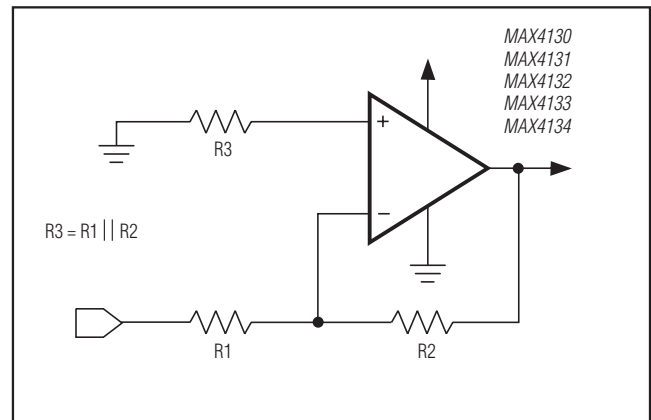


Figure 1b. Reducing Offset Error Due to Bias Current (Inverting)

# MAX4130–MAX4134

## Single/Dual/Quad, Wide-Bandwidth, Low-Power, Single-Supply, Rail-to-Rail I/O Op Amps

### Applications Information

#### Rail-to-Rail Input Stage

Devices in the MAX4130–MAX4134 family of high-speed amplifiers have rail-to-rail input and output stages designed for low-voltage, single-supply operation. The input stage consists of separate NPN and PNP differential stages that combine to provide an input common-mode range that extends 0.2V beyond the supply rails. The PNP stage is active for input voltages close to the negative rail, and the NPN stage is active for input voltages near the positive rail. The input offset voltage is typically below 200 $\mu$ V. The switchover transition region, which occurs near  $V_{CC} / 2$ , has been extended to minimize the slight degradation in common-mode rejection ratio caused by the mismatch of the input pairs. Their low offset voltage, high bandwidth, and rail-to-rail common-mode range make these op amps excellent choices for precision, low-voltage data-acquisition systems.

Since the input stage switches between the NPN and PNP pairs, the input bias current changes polarity as the input voltage passes through the transition region.

Reduce the offset error caused by input bias currents flowing through external source impedances by matching the effective impedance seen by each input (Figures 1a, 1b). High source impedances, together with input capacitance, can create a parasitic pole that produces an underdamped signal response. Reducing the input impedance or placing a small (2pF to 10pF) capacitor across the feedback resistor improves response.

The MAX4130–MAX4134s' inputs are protected from large differential input voltages by 1k $\Omega$  series resistors and back-to-back triple diodes across the inputs (Figure 2). For differential input voltages less than 1.8V, input resistance is typically 500k $\Omega$ . For differential input voltages greater than 1.8V, input resistance is approximately 2k $\Omega$ . The input bias current is given by the following equation:

$$I_{BIAS} = \frac{V_{DIFF} - 1.8V}{2k\Omega}$$

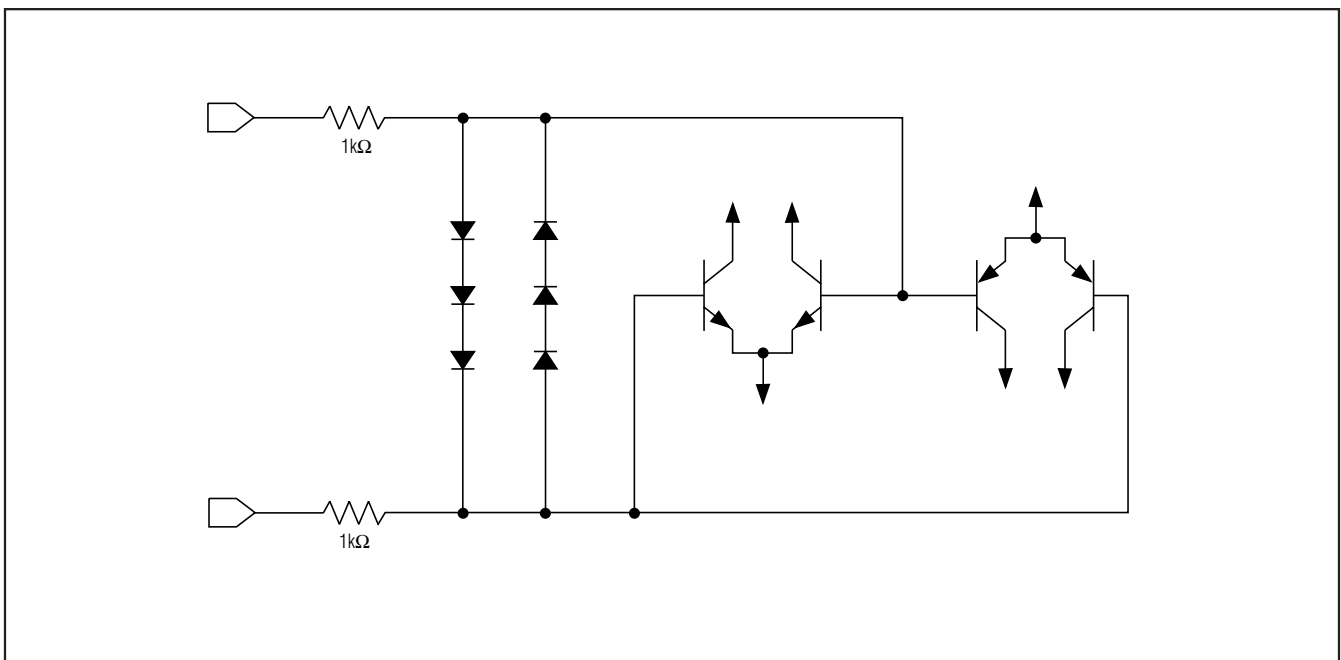


Figure 2. Input Protection Circuit

# MAX4130–MAX4134

## Single/Dual/Quad, Wide-Bandwidth, Low-Power, Single-Supply, Rail-to-Rail I/O Op Amps

### Rail-to-Rail Output Stage

The minimum output voltage is within millivolts of ground for single-supply operation where the load is referenced to ground ( $V_{EE}$ ). Figure 3 shows the input voltage range and output voltage swing of a MAX4131 connected as a voltage follower. With a +3V supply and the load tied to ground, the output swings from 0.00V to 2.90V. The maximum output voltage swing depends on the load, but will be within 150mV of a +3V supply, even with the maximum load (500 $\Omega$  to ground).

Driving a capacitive load can cause instability in most high-speed op amps, especially those with low quiescent current. The MAX4130–MAX4134 have a high tolerance for capacitive loads. They are stable with capacitive loads up to 160pF. Figure 4 gives the stable operating region for capacitive loads. Figures 5 and 6 show the response with capacitive loads and the results of adding an isolation resistor in series with the output (Figure 7). The resistor improves the circuit's phase margin by isolating the load capacitor from the op amp's output.

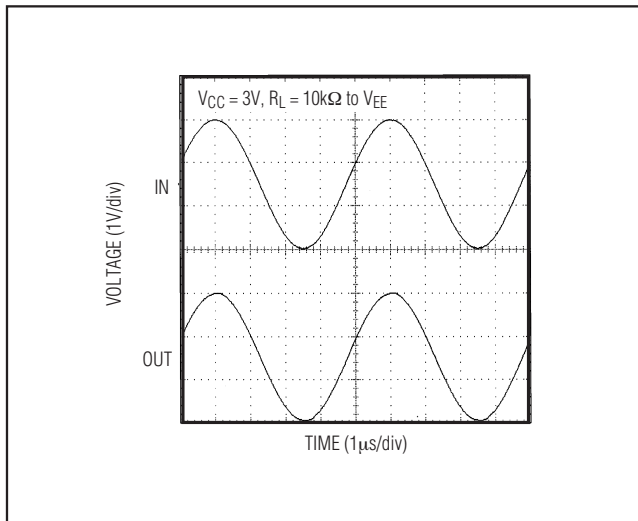


Figure 3. Rail-to-Rail Input/Output Voltage Range

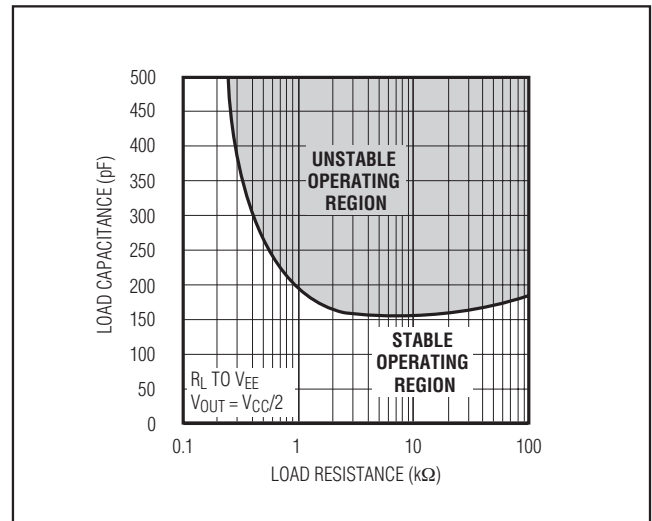


Figure 4. Capacitive-Load Stability

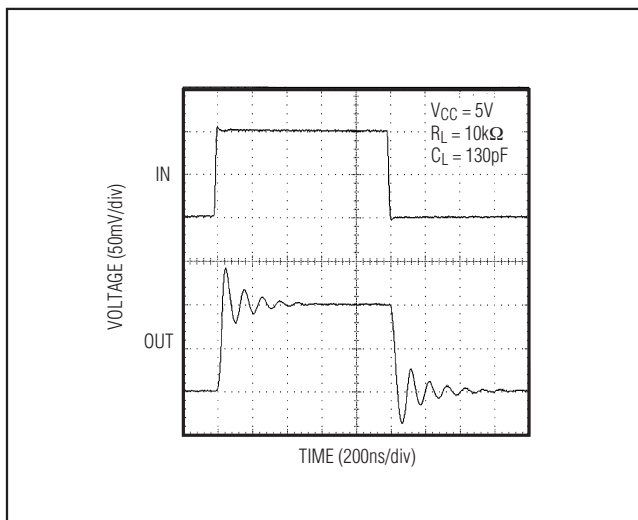


Figure 5. MAX4131 Small-Signal Transient Response with Capacitive Load

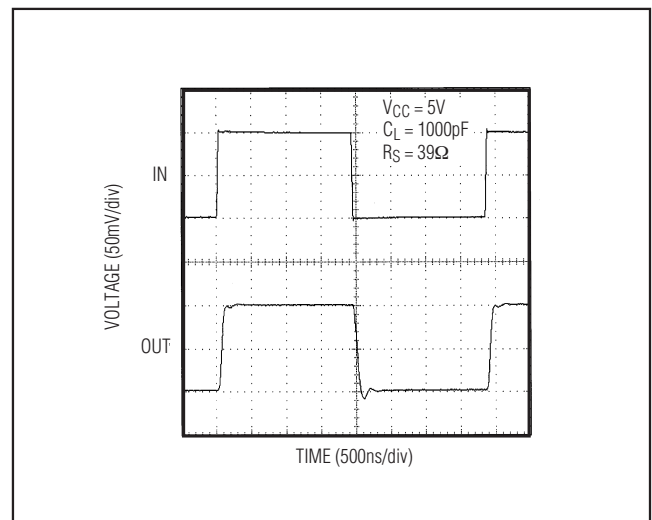


Figure 6. MAX4131 Transient Response to Capacitive Load with Isolation Resistor

# MAX4130–MAX4134

## Single/Dual/Quad, Wide-Bandwidth, Low-Power, Single-Supply, Rail-to-Rail I/O Op Amps

### Power-Up and Shutdown Mode

The MAX4130–MAX4134 amplifiers typically settle within 1 $\mu$ s after power-up. Figures 9 and 10 show the output voltage and supply current on power-up, using the test circuit of Figure 8.

The MAX4131 and MAX4133 have a shutdown option. When the shutdown pin (SHDN) is pulled low, the supply current drops below 25 $\mu$ A per amplifier and the

amplifiers are disabled with the outputs in a high-impedance state. Pulling SHDN high or leaving it floating enables the amplifier. In the dual-amplifier MAX4133, the shutdown functions operate independently. Figures 11 and 12 show the output voltage and supply current responses of the MAX4131 to a shutdown pulse, using the test circuit of Figure 8.

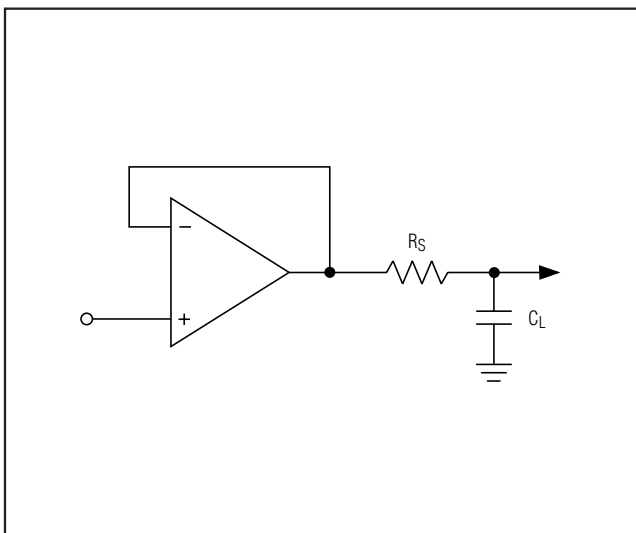


Figure 7. Capacitive-Load Driving Circuit

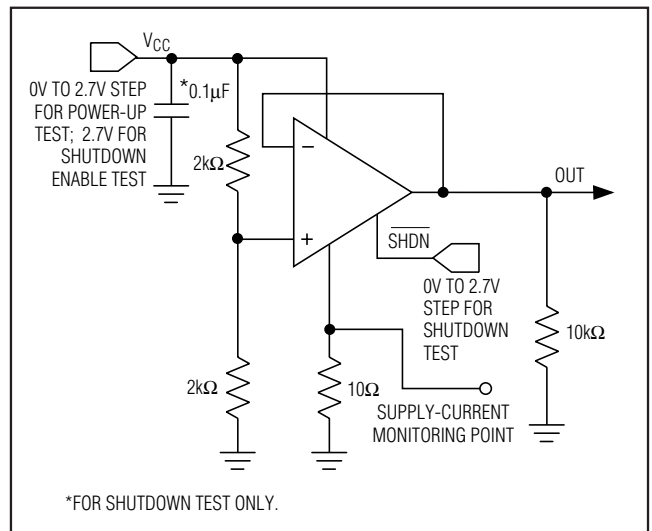


Figure 8. Power-Up/Shutdown Test Circuit

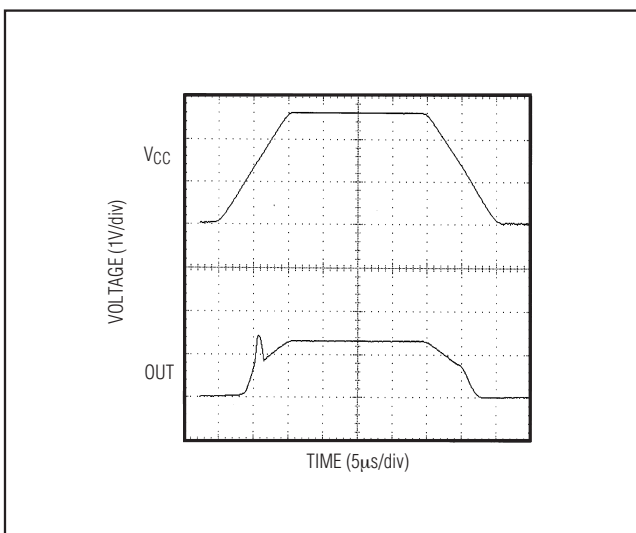


Figure 9. Power-Up Output Voltage

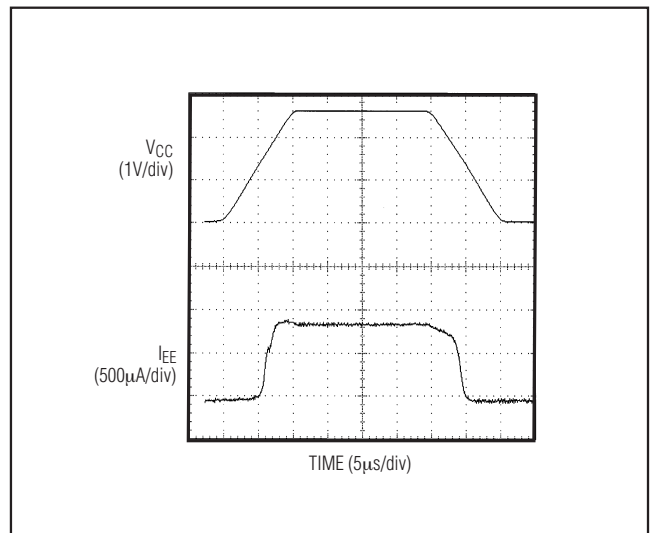


Figure 10. Power-Up Supply Current

# MAX4130-MAX4134

## Single/Dual/Quad, Wide-Bandwidth, Low-Power, Single-Supply, Rail-to-Rail I/O Op Amps

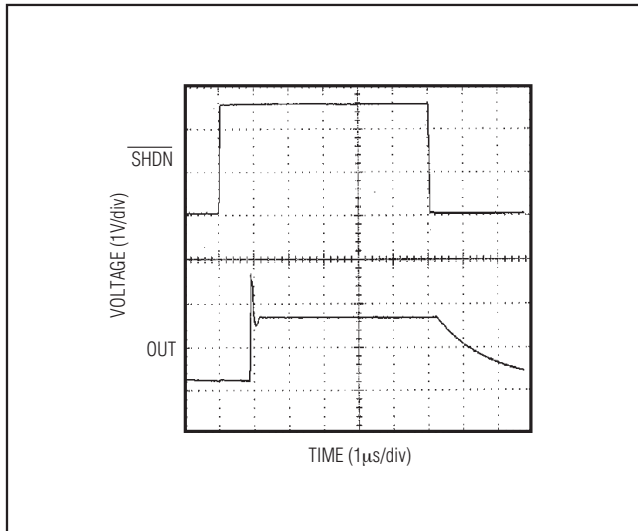


Figure 11. Shutdown Output Voltage

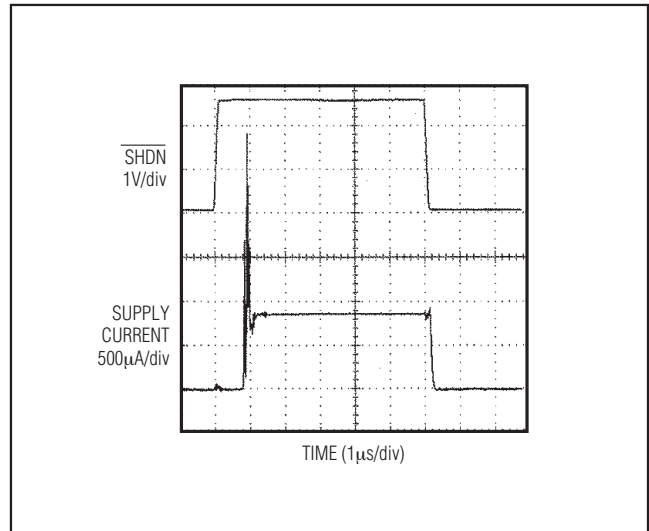


Figure 12. Shutdown Enable/Disable Supply Current

### Power Supplies and Layout

The MAX4130-MAX4134 operate from a single +2.7V to +6.5V power supply, or from dual supplies of  $\pm 1.35\text{V}$  to  $\pm 3.25\text{V}$ . For single-supply operation, bypass the power supply with a  $0.1\mu\text{F}$  ceramic capacitor in parallel with at least  $1\mu\text{F}$ . For dual supplies, bypass each supply to ground.

Good layout improves performance by decreasing the amount of stray capacitance at the op amp's inputs and outputs. Decrease stray capacitance by placing external components close to the op amp's pins, minimizing trace lengths and resistor leads.

### UCSP Applications Information

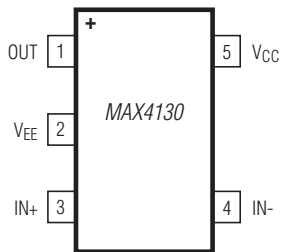
For the latest application details on UCSP construction, dimensions, tape carrier information, PC board techniques, bump-pad layout, and the recommended reflow temperature profile, as well as the latest information on reliability testing results, go to Maxim's website at [www.maxim-ic.com/ucsp](http://www.maxim-ic.com/ucsp) and search for the Application Note: *UCSP-A Wafer-Level Chip-Scale Package*.

# MAX4130-MAX4134

## Single/Dual/Quad, Wide-Bandwidth, Low-Power, Single-Supply, Rail-to-Rail I/O Op Amps

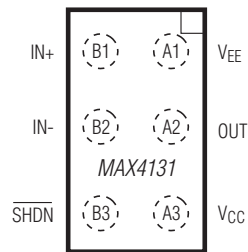
### Pin Configurations

TOP VIEW

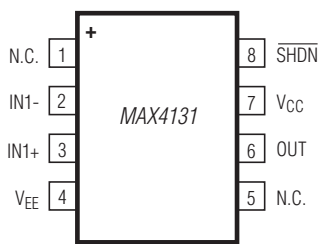


SOT23

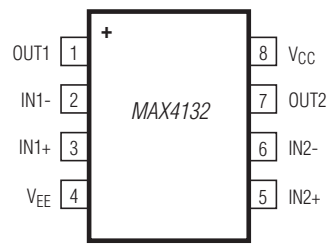
TOP VIEW  
BUMPS ON BOTTOM



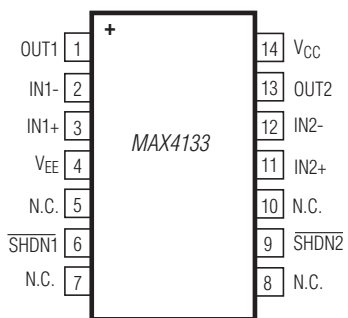
UCSP



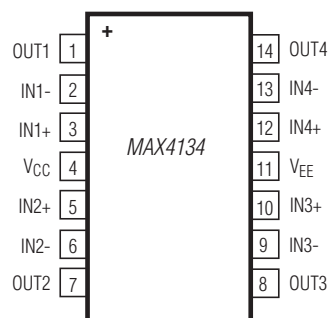
SO/μMAX



SO/μMAX



SO



SO

# MAX4130–MAX4134

## Single/Dual/Quad, Wide-Bandwidth, Low-Power, Single-Supply, Rail-to-Rail I/O Op Amps

### Ordering Information (continued)

| PART       | TEMP RANGE     | PIN-PACKAGE | TOP MARK |
|------------|----------------|-------------|----------|
| MAX4132ESA | -40°C to +85°C | 8 SO        | —        |
| MAX4132EUA | -40°C to +85°C | 8 $\mu$ MAX | —        |
| MAX4133C/D | 0°C to +70°C   | Dice*       | —        |
| MAX4133ESD | -40°C to +85°C | 14 SO       | —        |
| MAX4134ESD | -40°C to +85°C | 14 SO       | —        |

\*Dice are specified at  $T_A = +25^\circ\text{C}$ , DC parameters only.

### Chip Information

MAX4130 TRANSISTOR COUNT: 170  
MAX4131 TRANSISTOR COUNT: 170  
MAX4132 TRANSISTOR COUNT: 340  
MAX4134 TRANSISTOR COUNT: 680

### Package Information

For the latest package outline information and land patterns (footprints), go to [www.maximintegrated.com/packages](http://www.maximintegrated.com/packages). Note that a “+”, “#”, or “-” in the package code indicates RoHS status only. Package drawings may show a different suffix character, but the drawing pertains to the package regardless of RoHS status.

| PACKAGE TYPE | PACKAGE CODE | OUTLINE NO.             | LAND PATTERN NO.                               |
|--------------|--------------|-------------------------|--|
| 5 SOT23      | U5-1         | <a href="#">21-0057</a> | <a href="#">90-0174</a>                        |
| 6 UCSP       | B6-3         | <a href="#">21-0097</a> | Refer to <a href="#">Application Note 1891</a> |
| 8 $\mu$ MAX  | U8-1         | <a href="#">21-0036</a> | <a href="#">90-0092</a>                        |
| 8 SO         | S8-2         | <a href="#">21-0041</a> | <a href="#">90-0096</a>                        |
| 14 SO        | S14-1        | <a href="#">21-0041</a> | <a href="#">90-0012</a>                        |
| 14 SO        | S14M-6       | <a href="#">21-0041</a> | <a href="#">90-0012</a>                        |

# MAX4130-MAX4134

## Single/Dual/Quad, Wide-Bandwidth, Low-Power, Single-Supply, Rail-to-Rail I/O Op Amps

### Revision History

| REVISION NUMBER | REVISION DATE | DESCRIPTION                               | PAGES CHANGED |
|-----------------|---------------|---|---------------|
| 0               | 6/96          | Initial release                           | —             |
| 1               | 1/14          | Updated <i>Electrical Characteristics</i> | 2, 4          |



Maxim Integrated cannot assume responsibility for use of any circuitry other than circuitry entirely embodied in a Maxim Integrated product. No circuit patent licenses are implied. Maxim Integrated reserves the right to change the circuitry and specifications without notice at any time. The parametric values (min and max limits) shown in the Electrical Characteristics table are guaranteed. Other parametric values quoted in this data sheet are provided for guidance.



## X-ON Electronics

Largest Supplier of Electrical and Electronic Components

*Click to view similar products for [Operational Amplifiers - Op Amps](#) category:*

*Click to view products by [Maxim](#) manufacturer:*

Other Similar products are found below :

[LM258AYDT](#) [LM358SNG](#) [430227FB](#) [UPC824G2-A](#) [LT1678IS8](#) [042225DB](#) [058184EB](#) [UPC259G2-A](#) [NTE925](#) [AZV358MTR-G1](#)  
[AP4310AUMTR-AG1](#) [HA1630D02MMEL-E](#) [HA1630S01LPEL-E](#) [SCY33178DR2G](#) [NJU77806F3-TE1](#) [NCV20034DR2G](#) [LM324EDR2G](#)  
[LM2902EDR2G](#) [NTE7155](#) [NTE778S](#) [NTE871](#) [NTE924](#) [NTE937](#) [MCP6V17T-E/MNY](#) [MCP6V19-E/ST](#) [MCP6V36UT-E/LTY](#)  
[MXD8011HF](#) [MCP6V17T-E/MS](#) [SCY6358ADR2G](#) [LTC2065HUD#PBF](#) [NJM2904CRB1-TE1](#) [2SD965T-R](#) [RS6332P XK](#) [BDM8551](#)  
[BDM321](#) [MD1324](#) [COS8052SR](#) [COS8552SR](#) [COS8554SR](#) [COS2177SR](#) [COS2353SR](#) [COS724TR](#) [ASOPD4580S-R](#) [RS321BKXF](#)  
[ADA4097-1HUIJZ-RL7](#) [NCV4333DTBR2G](#) [EL5420CRZ-T7A](#) [AS324MTR-E1](#) [AS358MMTR-G1](#) [MCP6491T-ELTY](#)