



Low-Voltage, SPST, CMOS Analog Switches

MAX4501/MAX4502

General Description

The MAX4501/MAX4502 are single-pole/single-throw (SPST), low-voltage, single-supply, CMOS analog switches. The MAX4501 is normally open (NO). The MAX4502 is normally closed (NC).

These CMOS switches can operate continuously with a single supply between +2V and +12V. Each switch can handle Rail-to-Rail® analog signals. The off-leakage current is only 1nA at +25°C or 10nA at +85°C.

The digital input has 0.8V and 2.4V logic thresholds, ensuring TTL/CMOS-logic compatibility when using a single +5V supply.

Features

- ◆ Available in SOT23-5 and SC70-5 Packages
- ◆ +2V to +12V Single-Supply Operation
- ◆ Guaranteed On-Resistance: 250Ω at +5V
- ◆ Guaranteed Low Off-Leakage Current
 - 1nA at +25°C
 - 10nA at +85°C
- ◆ Guaranteed Low On-Leakage Current
 - 2nA at +25°C
 - 20nA at +85°C
- ◆ Low Charge Injection: 10pC
- ◆ Fast Switching Speed: $t_{ON} = 75ns$, $t_{OFF} = 50ns$
- ◆ TTL/CMOS-Logic Compatible with +5V Supply

Applications

- Battery-Operated Equipment
- Audio and Video Signal Routing
- Low-Voltage Data-Acquisition Systems
- Communications Circuits
- PCMCIA Cards
- Cellular Phones
- Modems

Ordering Information

| PART | TEMP. RANGE | PIN-PACKAGE | TOP MARK |
|--------------|-----------------|---------------|----------|
| MAX4501CUK-T | 0°C to +70°C | 5 SOT23-5 | AAAA |
| MAX4501CSA | 0°C to +70°C | 8 SO | — |
| MAX4501CPA | 0°C to +70°C | 8 Plastic DIP | — |
| MAX4501C/D | 0°C to +70°C | Dice* | — |
| MAX4501EXK-T | -40°C to +85°C | 5 SC70-5 | AAE |
| MAX4501EUK-T | -40°C to +85°C | 5 SOT23-5 | AAAA |
| MAX4501ESA | -40°C to +85°C | 8 SO | — |
| MAX4501EPA | -40°C to +85°C | 8 Plastic DIP | — |
| MAX4501MJA | -55°C to +125°C | 8 CERDIP** | — |

Ordering Information continued at end of data sheet.

*Contact factory for dice specifications.

**Contact factory for availability.

Pin Configurations/Functional Diagrams/Truth Table

TOP VIEW

SO/DIP

SO/DIP

SC70-5/SOT23-5

SC70-5/SOT23-5

| INPUT | SWITCH STATE | |
|-------|--------------|---------|
| | MAX4501 | MAX4502 |
| LOW | OFF | ON |
| HIGH | ON | OFF |

N.C. = NOT INTERNALLY CONNECTED

Rail-to-Rail is a registered trademark of Nippon Motorola, Ltd.



For free samples & the latest literature: <http://www.maxim-ic.com>, or phone 1-800-998-8800.
For small orders, phone 1-800-835-8769.

Low-Voltage, SPST, CMOS Analog Switches

ABSOLUTE MAXIMUM RATINGS

(Voltages Referenced to GND)

| | |
|---|--|
| V+ | -0.3V to +13V |
| Voltage into Any Terminal (Note 1) | -0.3V to (V+ + 0.3V) or ±10mA (whichever occurs first) |
| Continuous Current into Any Terminal | ±10mA |
| Peak Current, NO or COM (pulsed at 1ms, 10% duty cycle) | ±20mA |
| ESD per Method 3015.7 | >2000V |
| Continuous Power Dissipation (T _A = +70°C) | |
| 5-Pin SC70-5 (derate 2.5mW/°C above +70°C) | 200mW |
| 5-Pin SOT23-5 (derate 7.1mW/°C above +70°C) | 571mW |

| | |
|--|-----------------|
| 8-Pin SO (derate 5.88mW/°C above +70°C) | 471mW |
| 8-Pin Plastic DIP (derate 9.09mW/°C above +70°C) | 727mW |
| 8-Pin CERDIP (derate 8.00mW/°C above +70°C) | 640mW |
| Operating Temperature Ranges | |
| MAX4501C_/MAX4502C_ | 0°C to +70°C |
| MAX4501E_/MAX4502E_ | -40°C to +85°C |
| MAX4501MJA/MAX4502MJA | -55°C to +125°C |
| Storage Temperature Range | -65°C to +150°C |
| Lead Temperature (soldering, 10s) | +300°C |

Note 1: Voltages exceeding V+ or GND on any signal terminal are clamped by internal diodes. Limit forward-diode current to maximum current rating.

Stresses beyond those listed under "Absolute Maximum Ratings" may cause permanent damage to the device. These are stress ratings only, and functional operation of the device at these or any other conditions beyond those indicated in the operational sections of the specifications is not implied. Exposure to absolute maximum rating conditions for extended periods may affect device reliability.

ELECTRICAL CHARACTERISTICS—+5V Supply

(V+ = +4.5V to +5.5V, V_{INH} = 2.4V, V_{INL} = 0.8V, T_A = T_{MIN} to T_{MAX}, unless otherwise noted. Typical values are at T_A = +25°C.) (Note 2)

| PARAMETER | SYMBOL | CONDITIONS | MIN | TYP | MAX | UNITS |
|---|--|---|---|------|------|-------|
| ANALOG SWITCH | | | | | | |
| Analog Signal Range | V _{COM} , V _{NO} , V _{NC} | | 0 | | V+ | V |
| COM to NO or NC On-Resistance | R _{ON} | V _{COM} = 3.5V, I _{COM} = 1mA | T _A = +25°C | | 90 | 250 |
| | | | T _A = T _{MIN} to T _{MAX} | | 350 | |
| NO or NC Off-Leakage Current (Notes 3, 4) | I _{NO(OFF)} , I _{NC(OFF)} | V+ = 5.5V, V _{COM} = 1V, V _{NO} or V _{NC} = 4.5V | T _A = +25°C | | -1 | 0.01 |
| | | | T _A = T _{MIN} to T _{MAX} | C, E | 10 | |
| | | | | M | -100 | |
| | | | | | 100 | |
| COM Off-Leakage Current (Notes 3, 4) | I _{COM(OFF)} | V+ = 5.5V, V _{COM} = 1V, V _{NO} or V _{NC} = 4.5V | T _A = +25°C | | -1 | 0.01 |
| | | | T _A = T _{MIN} to T _{MAX} | C, E | 10 | |
| | | | | M | -100 | |
| | | | | | 100 | |
| COM On-Leakage Current (Notes 3, 4) | I _{COM(ON)} | V+ = 5.5V, V _{COM} = 1V, 4.5V | T _A = +25°C | | -2 | 0.01 |
| | | | T _A = T _{MIN} to T _{MAX} | C, E | 20 | |
| | | | | M | -200 | |
| | | | | | 200 | |
| DIGITAL I/O | | | | | | |
| Input Logic High | V _{INH} | | 2.4 | | V+ | V |
| Input Logic Low | V _{INL} | | 0 | | 0.8 | V |
| Input Current Logic High or Low | I _{INH} , I _{INL} | V _{IN} = V+, 0 | -1 | 0.03 | 1 | μA |
| SWITCH DYNAMIC CHARACTERISTICS | | | | | | |
| Turn-On Time | t _{ON} | V _{NO} = V _{NC} = 1.5V, V _{IN} = 3V, R _L = 1kΩ, C _L = 35pF, Figure 1 | T _A = +25°C | | 16 | 75 |
| | | | T _A = T _{MIN} to T _{MAX} | | 150 | |
| Turn-Off Time | t _{OFF} | V _{NO} = V _{NC} = 1.5V, V _{IN} = 3V, R _L = 1kΩ, C _L = 35pF, Figure 1 | T _A = +25°C | | 10 | 50 |
| | | | T _A = T _{MIN} to T _{MAX} | | 150 | |

Low-Voltage, SPST, CMOS Analog Switches

MAX4501/MAX4502

ELECTRICAL CHARACTERISTICS—+5V Supply (continued)

(V+ = +4.5V to +5.5V, VINH = 2.4V, VINL = 0.8V, TA = TMIN to TMAX, unless otherwise noted. Typical values are at TA = +25°C.) (Note 2)

| PARAMETER | SYMBOL | CONDITIONS | MIN | TYP | MAX | UNITS |
|---|--------------------|--|-------------------|--------|-----|-------|
| SWITCH DYNAMIC CHARACTERISTICS (continued) | | | | | | |
| Charge Injection (Note 5) | Q | CL = 1nF, VNO = 0, RS = 0Ω, TA = +25°C, Figure 2 | | 1 | 10 | pC |
| Off-Isolation | VISO | RL = 50Ω, CL = 15pF, VNO = 1VRMS, f = 100kHz, TA = +25°C, Figure 3 | | < -100 | | dB |
| NO or NC Off-Capacitance | CNO(OFF), CNC(OFF) | f = 1MHz, Figure 4 | | 3 | | pF |
| COM Off-Capacitance | CCOM(OFF) | f = 1MHz, Figure 4 | | 3 | | pF |
| COM On-Capacitance | CCOM(ON) | f = 1MHz, Figure 4 | | 8 | | pF |
| POWER SUPPLY | | | | | | |
| V+ Supply Current | I+ | VIN = 0 or V+ | TA = +25°C | -1 | 1 | μA |
| | | | TA = TMIN to TMAX | -10 | 10 | |

ELECTRICAL CHARACTERISTICS—+12V Supply

(V+ = +11.4V to +12.6V, VINH = 5.0V, VINL = 0.8V, TA = TMIN to TMAX, unless otherwise noted. Typical values are at TA = +25°C.) (Note 2)

| PARAMETER | SYMBOL | CONDITIONS | MIN | TYP | MAX | UNITS | |
|---|--------------------|--|-------------------|------|-------|-------|------|
| ANALOG SWITCH | | | | | | | |
| Analog Signal Range | VCOM, VNO, VNC | | 0 | | V+ | V | |
| COM to NO or NC On-Resistance | RON | VCOM = 10V, ICOM = 1mA | TA = +25°C | 40 | 160 | Ω | |
| | | | TA = TMIN to TMAX | | 200 | | |
| NO or NC Off-Leakage Current (Notes 3, 4) | INO(OFF), INC(OFF) | VCOM = 10V, VNO or VNC = 1V, V+ = +12.6V | TA = +25°C | -5 | 5 | nA | |
| | | | TA = TMIN to TMAX | C, E | -50 | | 50 |
| | | | | M | -500 | | 500 |
| COM Off-Leakage Current (Notes 3, 4) | ICOM(OFF) | VCOM = 10V, VNO or VNC = 1V, V+ = +12.6V | TA = +25°C | -5 | 5 | nA | |
| | | | TA = TMIN to TMAX | C, E | -50 | | 50 |
| | | | | M | -500 | | 500 |
| COM On-Leakage Current (Notes 3, 4) | ICOM(ON) | VCOM = 10V, V+ = +12.6V | TA = +25°C | -10 | 10 | nA | |
| | | | TA = TMIN to TMAX | C, E | -100 | | 100 |
| | | | | M | -1000 | | 1000 |
| DIGITAL I/O | | | | | | | |
| Input Logic High | VINH | | 5.0 | | V+ | V | |
| Input Logic Low | VINL | | 0 | | 0.8 | V | |
| Input Current Logic High or Low | IINH, IINL | VIN = 0 or V+ | -1 | 0.03 | 1 | μA | |
| POWER SUPPLY | | | | | | | |
| V+ Supply Current | I+ | IN = 0 or V+ | TA = +25°C | -1 | 1 | μA | |
| | | | TA = TMIN to TMAX | -10 | 10 | | |

Low-Voltage, SPST, CMOS Analog Switches

ELECTRICAL CHARACTERISTICS—+3V Supply

(V+ = +3.0V to +3.6V, V_{INH} = 2.4V, V_{INL} = 0.8V, T_A = T_{MIN} to T_{MAX}, unless otherwise noted. Typical values are at T_A = +25°C.) (Note 2)

| PARAMETER | SYMBOL | CONDITIONS | MIN | TYP | MAX | UNITS | |
|---------------------------------------|---|--|---|------|------|-------|----|
| ANALOG SWITCH | | | | | | | |
| Analog Signal Range | V _{COM} , V _{NO} , V _{NC} | | 0 | | V+ | V | |
| COM to NO or NC On-Resistance | R _{ON} | V _{COM} = 1.5V, I _{COM} = 0.1mA | T _A = +25°C | | 175 | 600 | Ω |
| | | | T _A = T _{MIN} to T _{MAX} | | | 800 | |
| DIGITAL I/O | | | | | | | |
| Input Logic High | V _{INH} | | 2.4 | | V+ | V | |
| Input Logic Low | V _{INL} | | 0 | | 0.8 | V | |
| Input Current Logic High or Low | I _{INH} , I _{INL} | V _{IN} = 0 or V+ | -1.00 | 0.03 | 1.00 | μA | |
| SWITCH DYNAMIC CHARACTERISTICS | | | | | | | |
| Turn-On Time (Note 5) | t _{ON} | V _{NO} = V _{NC} = 1.5V, V _{IN} = 3V, R _L = 1kΩ, Figure 1 | T _A = +25°C | | 45 | 300 | ns |
| | | | T _A = T _{MIN} to T _{MAX} | | | 500 | |
| Turn-Off Time (Note 5) | t _{OFF} | V _{NO} = V _{NC} = 1.5V, V _{IN} = 3V, R _L = 1kΩ, Figure 1 | T _A = +25°C | | 10 | 125 | ns |
| | | | T _A = T _{MIN} to T _{MAX} | | | 175 | |
| Charge Injection (Note 5) | Q | C _L = 1nF, T _A = +25°C, Figure 2 | | 0.5 | 10 | pC | |
| POWER SUPPLY | | | | | | | |
| V+ Supply Current | I+ | I _N = 0 or V+ | T _A = +25°C | | -1 | 1 | μA |
| | | | T _A = T _{MIN} to T _{MAX} | | -10 | 10 | |

Note 2: Algebraic convention is used in this data sheet; the most negative value is shown in the minimum column.

Note 3: Leakage parameters are 100% tested at maximum-rated hot operating temperature, and are guaranteed by correlation at +25°C.

Note 4: SOT and SC70 packaged parts are 100% tested at +25°C. Limits at maximum and minimum rated temperature are guaranteed by design and correlation limits at +25°C.

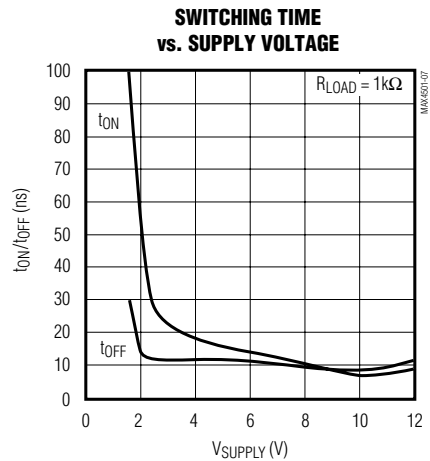
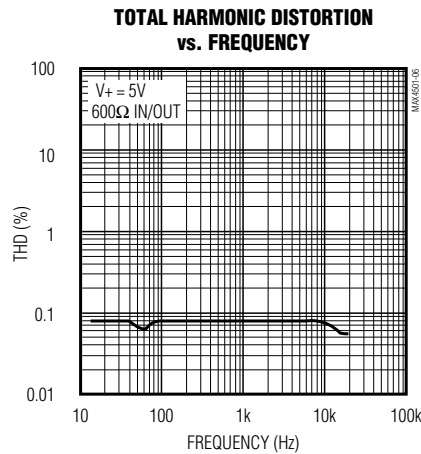
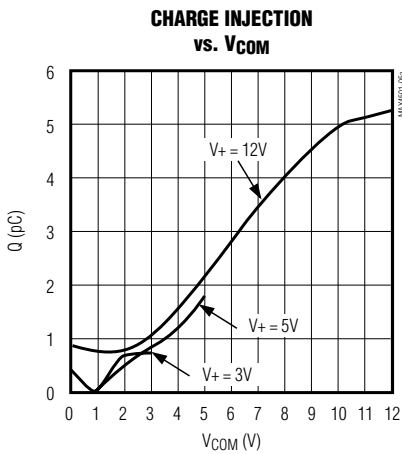
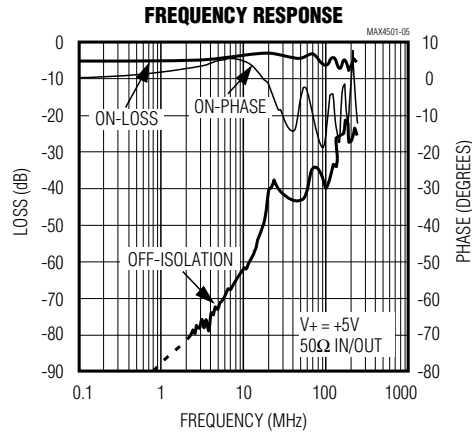
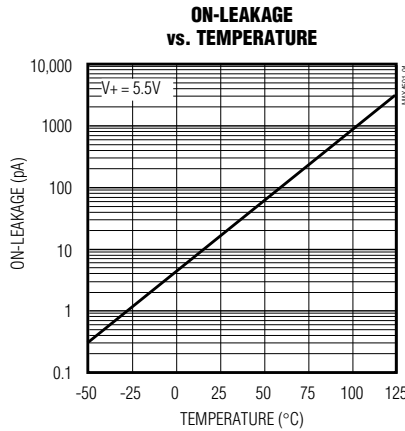
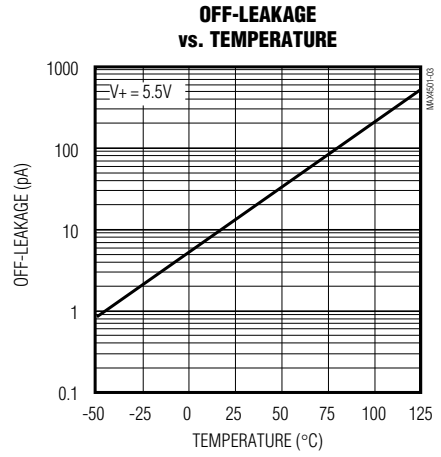
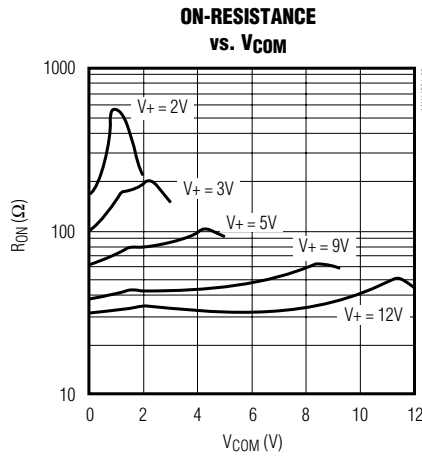
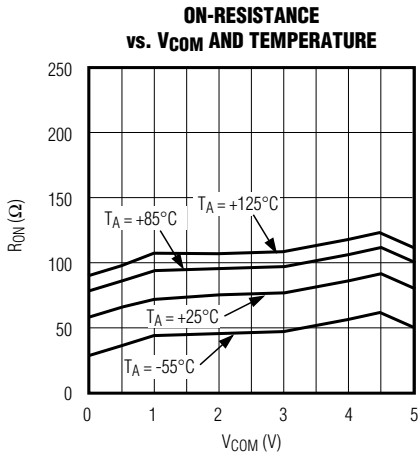
Note 5: Guaranteed, not production tested.

Low-Voltage, SPST, CMOS Analog Switches

Typical Operating Characteristics

($V_+ = +5V$, $GND = 0$, $T_A = +25^\circ C$, unless otherwise noted.)

MAX4501/MAX4502



Low-Voltage, SPST, CMOS Analog Switches

Pin Description

| PIN | | | | NAME | FUNCTION |
|---------|----------------|---------|----------------|------|--|
| MAX4501 | | MAX4502 | | | |
| SO/DIP | SC70-5/SOT23-5 | SO/DIP | SC70-5/SOT23-5 | | |
| 1 | 1 | 1 | 1 | COM | Analog Switch Common Terminal |
| 2, 3, 5 | — | 2, 3, 5 | — | N.C. | No Connection. Not internally connected. |
| 4 | 5 | 4 | 5 | V+ | Positive Supply-Voltage Input (analog and digital) |
| 6 | 4 | 6 | 4 | IN | Digital Control Input |
| 7 | 3 | 7 | 3 | GND | Ground |
| 8 | 2 | — | — | NO | Analog Switch (normally open) |
| — | — | 8 | 2 | NC | Analog Switch (normally closed) |

Note: NO, NC, and COM pins are identical and interchangeable. Any may be considered as an input or an output; signals pass equally well in both directions.

Applications Information

Power-Supply Considerations

The MAX4501/MAX4502 are constructed like most CMOS analog switches, except they have only two supply pins: V+ and GND. V+ and GND drive the internal CMOS switches and set the analog voltage limits of the switch. Reverse ESD-protection diodes are internally connected between each analog signal pin and both V+ and GND. One of these diodes conducts if any analog signal exceeds V+ or GND. During normal operation, these and other reverse-biased ESD diodes leak, forming the only current drawn from V+ or GND.

Virtually all the analog leakage current comes from the ESD diodes. Although the ESD diodes on a given signal pin are identical and therefore fairly well balanced, they are reverse biased differently. Each is biased by either V+ or GND and the analog signal. This means their leakages will vary as the signal varies. The *difference* in the two diode leakages to the V+ and GND pins constitutes the analog signal-path leakage current. All analog leakage current flows between each pin and one of the supply terminals, not to the other switch terminal. This is why both sides of a given switch can show leakage currents of the same or opposite polarity.

There is no connection between the analog-signal paths and V+ or GND.

V+ and GND also power the internal logic and logic-level translators, and set the input logic limits. The logic-level translators convert the logic levels to switched V+ and GND signals to drive the analog sig-

nal gates. This drive signal is the only connection between the logic supplies (and signals) and the analog supplies. COM, NO, and NC pins have ESD-protection diodes to V+ and GND.

The logic-level thresholds are CMOS/TTL compatible when V+ is +5V. As V+ rises, the threshold increases slightly. When V+ reaches +12V, the logic-level threshold is about 3V—above the TTL guaranteed high-level minimum of 2.8V, but still compatible with CMOS outputs.

Do not connect the MAX4501/MAX4502's V+ pin to +3V and then connect the logic-level pins to TTL logic-level signals. TTL levels can exceed +3V and violate the absolute maximum ratings, damaging the part and/or external circuits.

High-Frequency Performance

In 50Ω systems, signal response is reasonably flat up to 250MHz (see *Typical Operating Characteristics*). Above 20MHz, the on-response has several minor peaks that are highly layout dependent. The problem is not in turning the switch on; it's in turning it off. The off-state switch acts like a capacitor and passes higher frequencies with less attenuation. At 10MHz, off-isolation is about -60dB in 50Ω systems, decreasing approximately 20dB per decade as frequency increases. Higher circuit impedances also cause off-isolation to decrease. Adjacent channel attenuation is about 3dB above that of a bare IC socket, and is due entirely to capacitive coupling.

Low-Voltage, SPST, CMOS Analog Switches

Test Circuits/Timing Diagrams

MAX4501/MAX4502

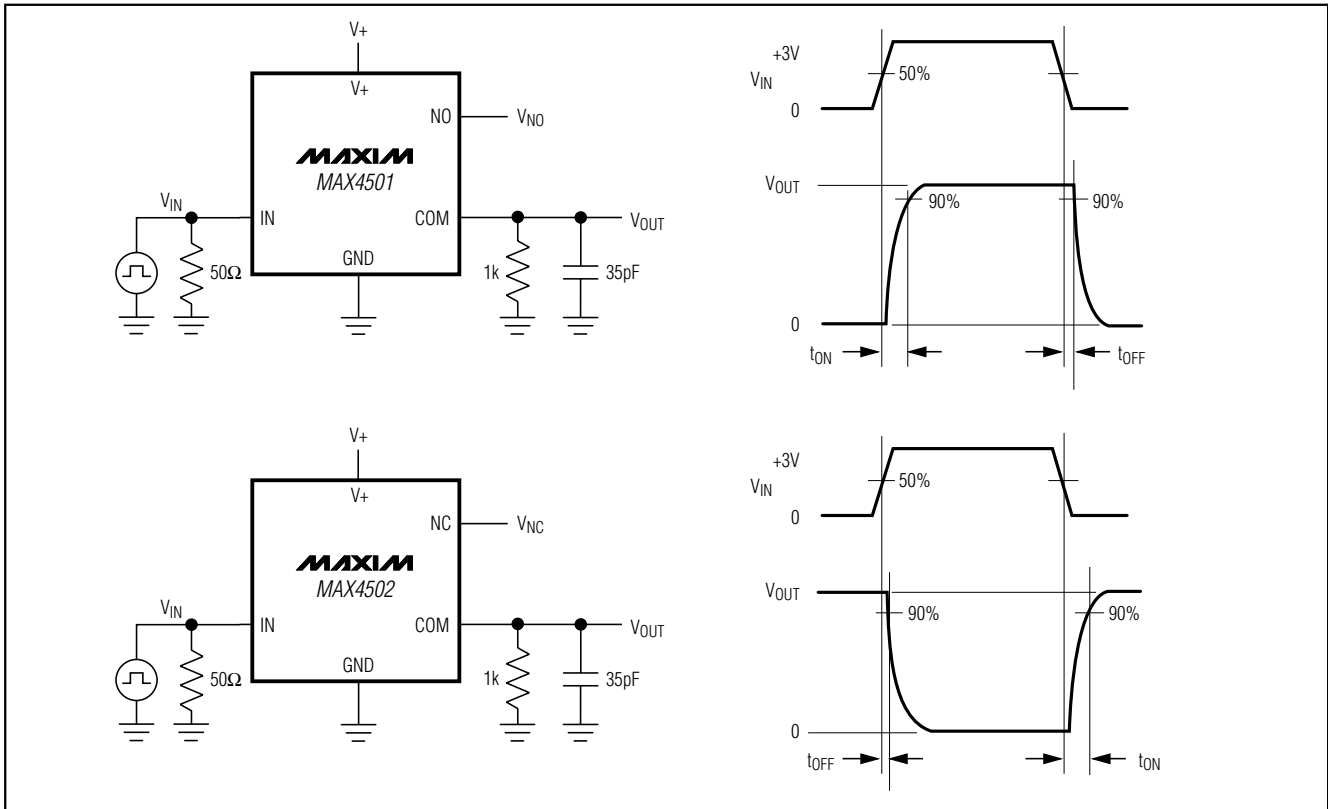


Figure 1. Switching Times

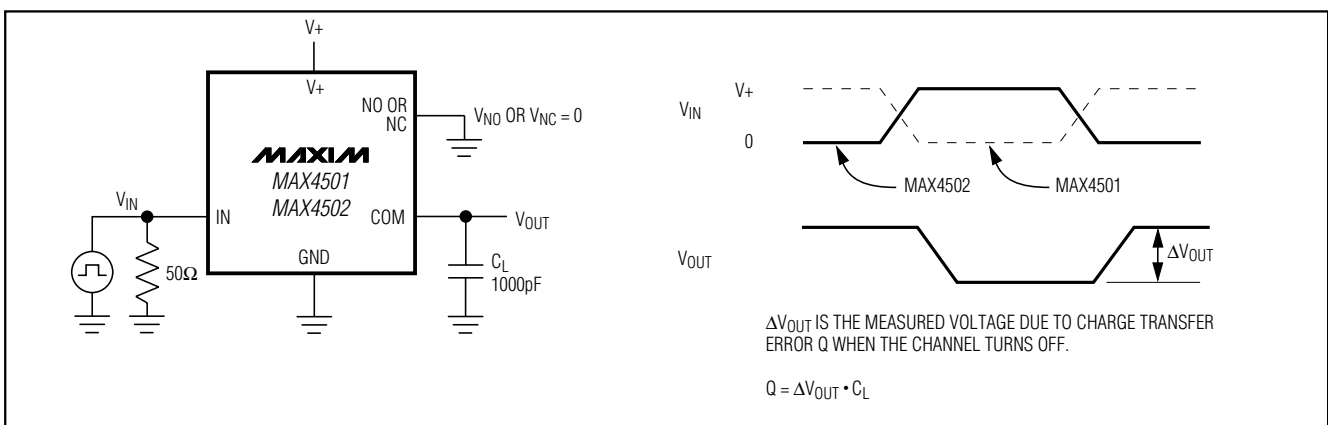


Figure 2. Charge Injection

Low-Voltage, SPST, CMOS Analog Switches

Test Circuits/Timing Diagrams (continued)

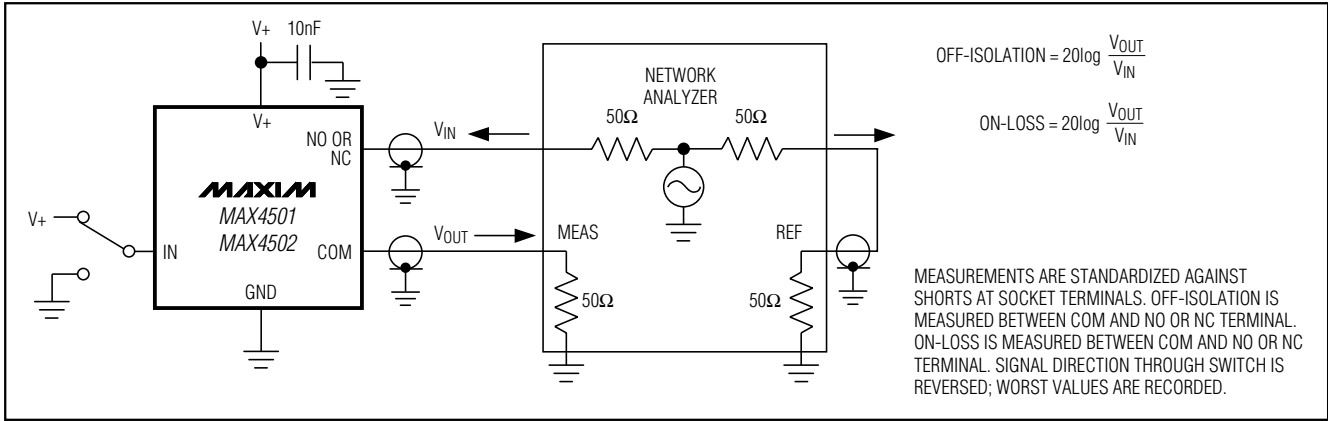


Figure 3. Off-Isolation and On-Loss

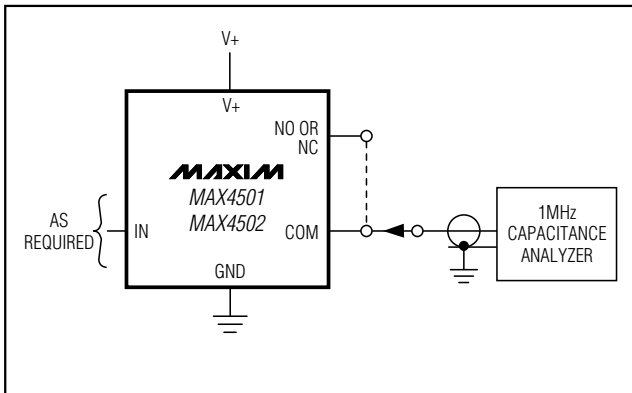
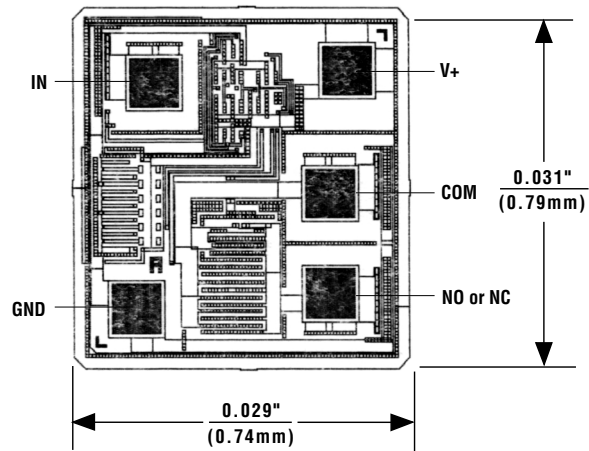


Figure 4. NO, NC, and COM Capacitance

Chip Topography



TRANSISTOR COUNT: 17
SUBSTRATE CONNECTED TO V+

Ordering Information (continued)

| PART | TEMP. RANGE | PIN-PACKAGE | TOP MARK |
|--------------|-----------------|---------------|----------|
| MAX4502CUK-T | 0°C to +70°C | 5 SOT23-5 | AAAB |
| MAX4502CSA | 0°C to +70°C | 8 SO | — |
| MAX4502CPA | 0°C to +70°C | 8 Plastic DIP | — |
| MAX4502C/D | 0°C to +70°C | Dice* | — |
| MAX4502EXK-T | -40°C to +85°C | 5 SC70-5 | AAF |
| MAX4502EUK-T | -40°C to +85°C | 5 SOT23-5 | AAAB |
| MAX4502ESA | -40°C to +85°C | 8 SO | — |
| MAX4502EPA | -40°C to +85°C | 8 Plastic DIP | — |
| MAX4502MJA | -55°C to +125°C | 8 CERDIP** | — |

*Contact factory for dice specifications.

**Contact factory for availability.

Maxim cannot assume responsibility for use of any circuitry other than circuitry entirely embodied in a Maxim product. No circuit patent licenses are implied. Maxim reserves the right to change the circuitry and specifications without notice at any time.

8 Maxim Integrated Products, 120 San Gabriel Drive, Sunnyvale, CA 94086 408-737-7600

X-ON Electronics

Largest Supplier of Electrical and Electronic Components

Click to view similar products for [Analogue Switch ICs](#) category:

Click to view products by [Maxim](#) manufacturer:

Other Similar products are found below :

[FSA3051TMX](#) [NLAS4684FCTCG](#) [NLAS5223BLMNR2G](#) [NLVAS4599DTT1G](#) [NLX2G66DMUTCG](#) [425541DB](#) [425528R](#) [099044FB](#)
[NLAS5123MNR2G](#) [PI5A4157CEX](#) [NLAS4717EPFCT1G](#) [PI5A3167CCEX](#) [SLAS3158MNR2G](#) [PI5A392AQE](#) [PI5A4157ZUEX](#)
[PI5A3166TAEX](#) [FSA634UCX](#) [XS3A1T3157GMX](#) [TC4066BP\(N,F\)](#) [DG302BDJ-E3](#) [PI5A100QEX](#) [HV2605FG-G](#) [HV2301FG-G](#)
[RS2117YUTQK10](#) [RS2118YUTQK10](#) [RS2227XUTQK10](#) [ADG452BRZ-REEL7](#) [MAX4066ESD+](#) [MAX391CPE+](#) [MAX4730EXT+T](#)
[MAX314CPE+](#) [BU4066BCFV-E2](#) [MAX313CPE+](#) [BU4S66G2-TR](#) [NLASB3157MTR2G](#) [TS3A4751PWR](#) [NLAS4157DFT2G](#)
[NLAST4599DFT2G](#) [NLAST4599DTT1G](#) [DG419LDY+T](#) [DG300BDJ-E3](#) [DG2503DB-T2-GE1](#) [TC4W53FU\(TE12L,F\)](#) [HV2201FG-G](#)
[74HC2G66DC.125](#) [DG3257DN-T1-GE4](#) [ADG1611BRUZ-REEL7](#) [DG2535EDQ-T1-GE3](#) [LTC201ACN#PBF](#) [74LV4066DB,118](#)