



## MAX4986 Evaluation Kit

Evaluates: MAX4986

### General Description

The MAX4986 evaluation kit (EV kit) provides a proven design to evaluate the MAX4986 SAS/SATA 2:1/1:2 multiplexer/demultiplexer. The EV kit contains four sections: an application circuit, characterization circuit, and two sets of calibration traces.

The application circuit is designed to demonstrate the MAX4986 in multiplexing and equalizing SAS/SATA signals. This section of the EV kit operates from an external +5V supply that is regulated by an on-board LDO to +3.3V, which powers the MAX4986 (U1). All traces in the application circuit are 100Ω differential controlled-impedance traces.

The characterization circuit is provided for eye diagram evaluation using SMA connectors and 50Ω controlled-impedance traces. This section is powered by an external +3.3V power supply.

For information on the specifications for SATA interfaces, refer to documents defined by the 2.6 release from the Serial ATA industry work group ([www.serialata.org](http://www.serialata.org)), or if superseded, by the most recently released document from the ATA ANSI work group ([www.t13.org](http://www.t13.org)).

### Features

- ◆ One SATA Host Connector
- ◆ Two SATA Device Connectors
- ◆ Application Circuit with SATA Inputs/Outputs
- ◆ Eye Diagram Test Circuit with SMA Inputs/Outputs
- ◆ Calibration Traces (50Ω Load Trace and Through Trace)
- ◆ Proven PCB Layout
- ◆ Fully Assembled and Tested

### Ordering Information

PART	TYPE
MAX4986EVKIT+	EV Kit

+Denotes lead(Pb)-free and RoHS compliant.

### Component List

DESIGNATION	QTY	DESCRIPTION
C1, C3, C4, C9, C10, C19, C22, C27, C28, C37	10	0.1μF ±10%, 16V X7R ceramic capacitors (0603) Murata GRM188R71C104K
C2, C25	2	10μF ±20%, 6.3V X5R ceramic capacitors (0603) Murata GRM188R60J106M
C5–C8, C11–C18, C23, C24, C35, C36, C38–C41	20	0.01μF ±5%, 25V X7R ceramic capacitors (0402) Murata GRM155R71E103J
C20, C21, C42	3	1μF ±10%, 16V X5R ceramic capacitors (0603) Murata GRM188R61C105K
C26	1	0.1μF ±10%, 16V X7R ceramic capacitor (0402) Murata GRM155R71C104K
D1	1	Red LED (0603)
H1	1	Disk drive power connector
J1, J2, J3	3	7-position SATA vertical connectors
JU1	1	2-pin header
JU2	1	3-pin header

DESIGNATION	QTY	DESCRIPTION
P1, P2, P11–P18	10	Edge-mount receptacle SMA connectors
R1	1	300Ω ±5% resistor (0603)
R2–R8, R10–R15, R17–R22	19	10kΩ ±5% resistors (0603)
R9	1	0Ω ±5% resistor (0603)
R34, R35	2	49.9Ω ±1% resistors (0402)
SW1, SW2, SW3	3	8-channel SPST DIP switches
TP1	1	Red multipurpose test point
TP2, TP3	2	Black multipurpose test points
U1, U2	2	SAS/SATA multiplexers (42 TQFN-EP*) Maxim MAX4986CTO+
U3	1	500mA linear regulator (8 TDFN-EP*) Maxim MAX8902AATA+
—	2	Shunts
—	1	PCB: MAX4986 EVALUATION KIT+

\*EP = Exposed pad.



# MAX4986 Evaluation Kit

## Component Supplier

SUPPLIER	PHONE	WEBSITE
Murata Electronics North America, Inc.	770-436-1300	www.murata-northamerica.com

**Note:** Indicate that you are using the MAX4986 when contacting this component supplier.

## Quick Start

### Required Equipment

- MAX4986 EV kit
- +5V, 200mA power supply
- Two SATA cables
- Two SATA devices (e.g., hard drives)
- SATA host (e.g., PC)

### Procedure

The MAX4986 EV kit is fully assembled and tested. Follow the steps below to verify board operation:

- 1) Verify that jumpers JU1 and JU2 are in their default positions, as shown in Table 1.
- 2) Verify that switch settings for SW1 and SW2 are in the low position.
- 3) Connect a SATA source to J3 (HOST) on the MAX4986 EV kit.
- 4) Connect a SATA cable A from J1 (DEVICE A) to the first SATA hard drive A. Connect a second SATA cable B from J2 (DEVICE B) to the second SATA hard drive B.
- 5) Apply +5V between VIN and GND.
- 6) Power the hard drives.
- 7) Enable the MAX4986 by driving EN high on position 8 of SW2.

- 8) The host should recognize DEVICE A as a hard drive. DEVICE A can be written to during this time. The hard drives must be preformatted. Refer to the operating system instructions for mounting and installing the hard drives.
- 9) Change SEL to the high position on position 1 of SW1. The host should recognize DEVICE B as a hard drive. DEVICE B can be written to during this time.

## Detailed Description of Hardware

The MAX4986 evaluation kit (EV kit) evaluates the MAX4986 SAS/SATA 2:1/1:2 multiplexer/demultiplexer. The MAX4986 is designed to multiplex and equalize SAS and SATA signals. The EV kit is divided into four sections: application circuit, characterization circuit, and two sets of calibration traces.

The application circuit utilizes 100Ω differential controlled-impedance traces and provides three SATA connectors (J1, J2, J3), allowing for evaluation of the MAX4986 in a SAS/SATA environment. J1 and J2 are wired as devices for demonstration of the failsafe configuration. J3 is wired as the host. The MAX4986 can also operate with two hosts and one device, but the EV kit is wired for only the failsafe configuration. To operate the EV kit with two hosts and one device, the three SATA connectors (J1, J2, J3) need to be installed on the backside of the EV kit. Then J1 and J2 become the host connectors and J3 becomes the device.

**Table 1. Jumper Descriptions (JU1, JU2)**

JUMPER	SHUNT POSITION	DESCRIPTION
JU1	1-2*	Connects the +3.3V regulated supply to the MAX4986. Verify the supply by measuring the voltage between TP1 and TP2.
	Open	Apply an external +3.3V regulated supply between TP1 and TP2.
JU2	1-2*	VL is powered by on-board VCC.
	2-3	VL is powered externally by applying a voltage to EXTVL.

\*Default position.

# MAX4986 Evaluation Kit

The characterization circuit utilizes 50Ω controlled-impedance traces and SMA connectors, allowing for eye diagrams, return loss, and other compliance measurements. A separate +3.3V power supply needs to connect between the VCC and GND pads. It is possible to connect the +3.3V generated from the application circuit and apply it to the VCC pad. The GNDs are separated between the application circuit and characterization circuit, so both power and GND need to be applied.

The lower half of the EV kit provides two sets of calibration traces, all of which are matched to the trace lengths in the characterization circuit. These traces provide a reference for determining the performance of only the MAX4986 device when evaluated in the characterization circuit.

## **Input Supply (VIN)**

The application circuit must be powered by +3.3V. There are two ways to get this voltage, through the on-board LDO (U3) or by directly connecting to a +3.3V power supply. When using the on-board voltage regulator, the LDO can be powered by the 4-pin Molex connector (H1) or by a +5V external supply connected to the VIN and GND pads. When using the on-board LDO to supply power, there is a power LED (D1) to indicate the presence of power at the VIN supply.

The user can also connect directly to a +3.3V supply, which is available on a SATA power connector. The shunt must be removed from jumper JU1. Apply the +3.3V supply between TP1 and TP2.

## **Application Circuit**

The application circuit section allows an easy way to interface a host (PC) to SAS/SATA devices (e.g., hard drives) for a functional test of the MAX4986. Different lengths and types of cables can be used to test enable, drive selection, preemphasis, equalization, and OOB threshold settings. Change the positions on the DIP switches (SW1, SW2) to control the settings of the MAX4986 in the application section. Tables 2 and 3 show the various setting options.

## **Cable Detection**

To test the cable-detection feature, remove resistor R9. Without R9 populated,  $\overline{EN}$  is shorted to GND when a device is plugged into J1 or J2. EN must be high to test this feature. The cable detection applies only to J1 or J2.

## **Characterization Circuit**

The characterization circuit is provided as a separate test circuit for eye diagram evaluation of the MAX4986. The characterization circuit section allows for detailed frequency analysis of a single channel. All channels have similar performance by design. This circuit provides differential SMA inputs and outputs with 50Ω controlled-impedance traces.

DIP switch SW3 has fewer options because it only deals with one channel and some settings do not apply or are set in hardware. To control the settings of the MAX4986 in the characterization circuit section, see Table 4.

## **Input Supply (VCC)**

The characterization circuit is powered by an external +3.3V power supply connected between the VCC and GND pads. The GND in the application circuit is not continuous with the GND in the characterization circuit section.

## **External Logic Supply (EXTVL)**

The VL logic supply can interface to a lower voltage than VCC, as low as +1.8V. Connecting to an external logic supply also separates the leakage current from the VCC current.

## **Calibration Traces**

The lower half of the EV kit provides two sets of calibration traces that can be used for further analysis. The lengths of the calibration traces are matched to the traces going from the SMA connector to the MAX4986 (U2) of the characterization circuit. The first calibration trace includes a 50Ω load termination and the second calibration trace is a straight through trace.

# MAX4986 Evaluation Kit

Evaluates: MAX4986

**Table 2. SW1 Switch Settings**

POSITION	NAME	SETTINGS	DESCRIPTION
1	SEL	Low*	Connects the HOST (J3) to DEVICE A (J1)
		High	Connects the HOST (J3) to DEVICE B (J2)
2	OAMPB	Low*	Drives DEVICE B (J2) with high amplitude
		High	Drives DEVICE B (J2) with low amplitude
3	OAMPA	Low*	Drives DEVICE A (J1) with high amplitude
		High	Drives DEVICE A (J1) with low amplitude
4	MODE	Low*	Sets SAS OOB threshold for HOST (J3)
		High	Sets SATA OOB threshold for HOST (J3)
5	INEQ	Low*	Sets no input equalization for HOST (J3)
		High	Sets input equalization for HOST (J3)
6	PEB	Low*	Sets no preemphasis for DEVICE B (J2)
		High	Sets preemphasis for DEVICE B (J2)
7	PEA	Low*	Sets no preemphasis for DEVICE A (J1)
		High	Sets preemphasis for DEVICE A (J1)
8	—	—	—

\*Default position.

**Table 3. SW2 Switch Settings**

POSITION	NAME	SETTINGS	DESCRIPTION
1	EQA	Low*	Sets no input equalization for DEVICE A (J1)
		High	Sets input equalization for DEVICE A (J1)
2	EQB	Low*	Sets no input equalization for DEVICE B (J2)
		High	Sets input equalization for DEVICE B (J2)
3	OUTPE	Low*	Sets no preemphasis for HOST (J3)
		High	Sets preemphasis for HOST (J3)
4	OAMP	Low*	Drives HOST (J3) with high amplitude
		High	Drives HOST (J3) with low amplitude
5	MODEB	Low*	Sets SAS OOB threshold for DEVICE B (J2)
		High	Sets SATA OOB threshold for DEVICE B (J2)
6	MODEA	Low*	Sets SAS OOB threshold for DEVICE A (J1)
		High	Sets SATA OOB threshold for DEVICE A (J1)
7	—	—	—
8	EN (pin 10)	Low*	MAX4986 (U1) is in shutdown
		High	MAX4986 (U1) is enabled

\*Default position.

# MAX4986 Evaluation Kit

Evaluates: MAX4986

Table 4. SW3 Switch Settings

POSITION	NAME	SETTINGS	DESCRIPTION
1	OAMPA2	Low*	Drives outputs (P11, P12) with high amplitude
		High	Drives outputs (P11, P12) with low amplitude
2	EN2	Low*	MAX4986 (U2) is in shutdown
		High	MAX4986 (U2) is enabled
3	MODE2	Low*	Sets SAS OOB threshold
		High	Sets SATA OOB threshold
4	INEQ2	Low*	Sets P1, P2 inputs with no equalization
		High	Sets P1, P2 inputs with equalization
5	PEA2	Low*	Sets P11, P12 outputs with no preemphasis
		High	Sets P11, P12 outputs with preemphasis
6	—	—	—
7	—	—	—
8	—	—	—

\*Default position.

## MAX4986 Evaluation Kit

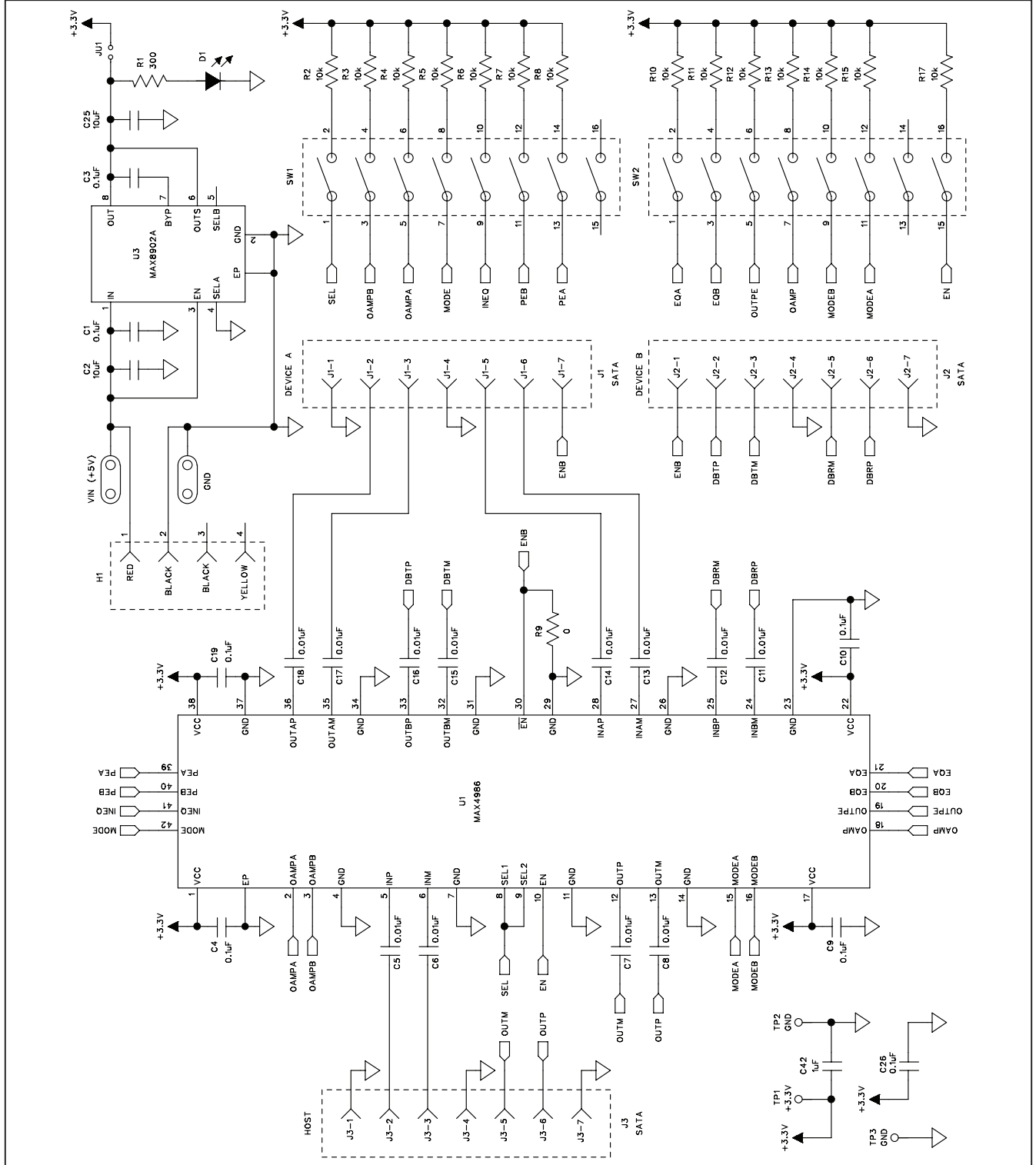


Figure 1a. MAX4986 EV Kit Schematic (Sheet 1 of 3)

# MAX4986 Evaluation Kit

Evaluates: MAX4986

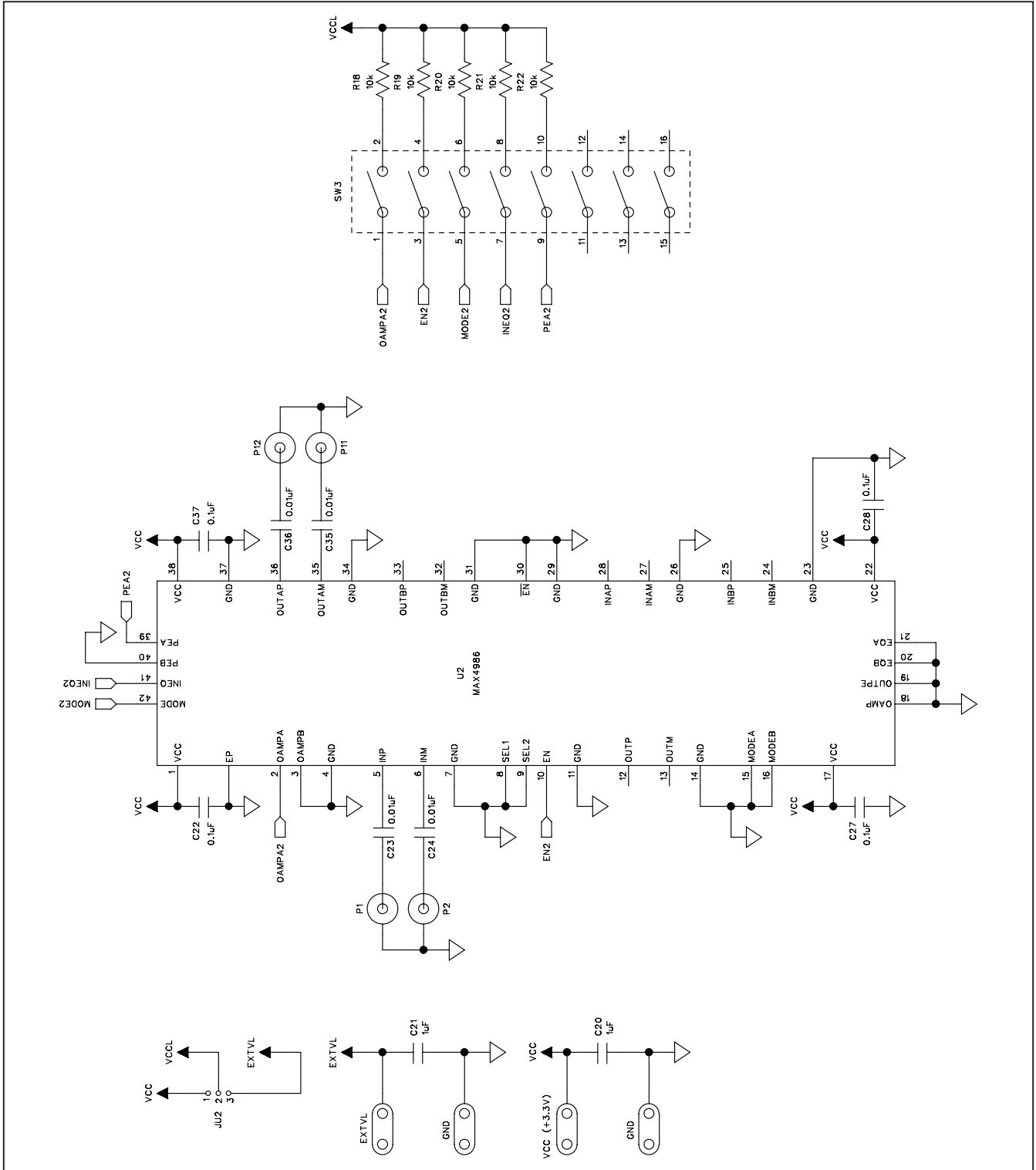


Figure 1b. MAX4986 EV Kit Schematic (Sheet 2 of 3)

# MAX4986 Evaluation Kit

Evaluates: MAX4986

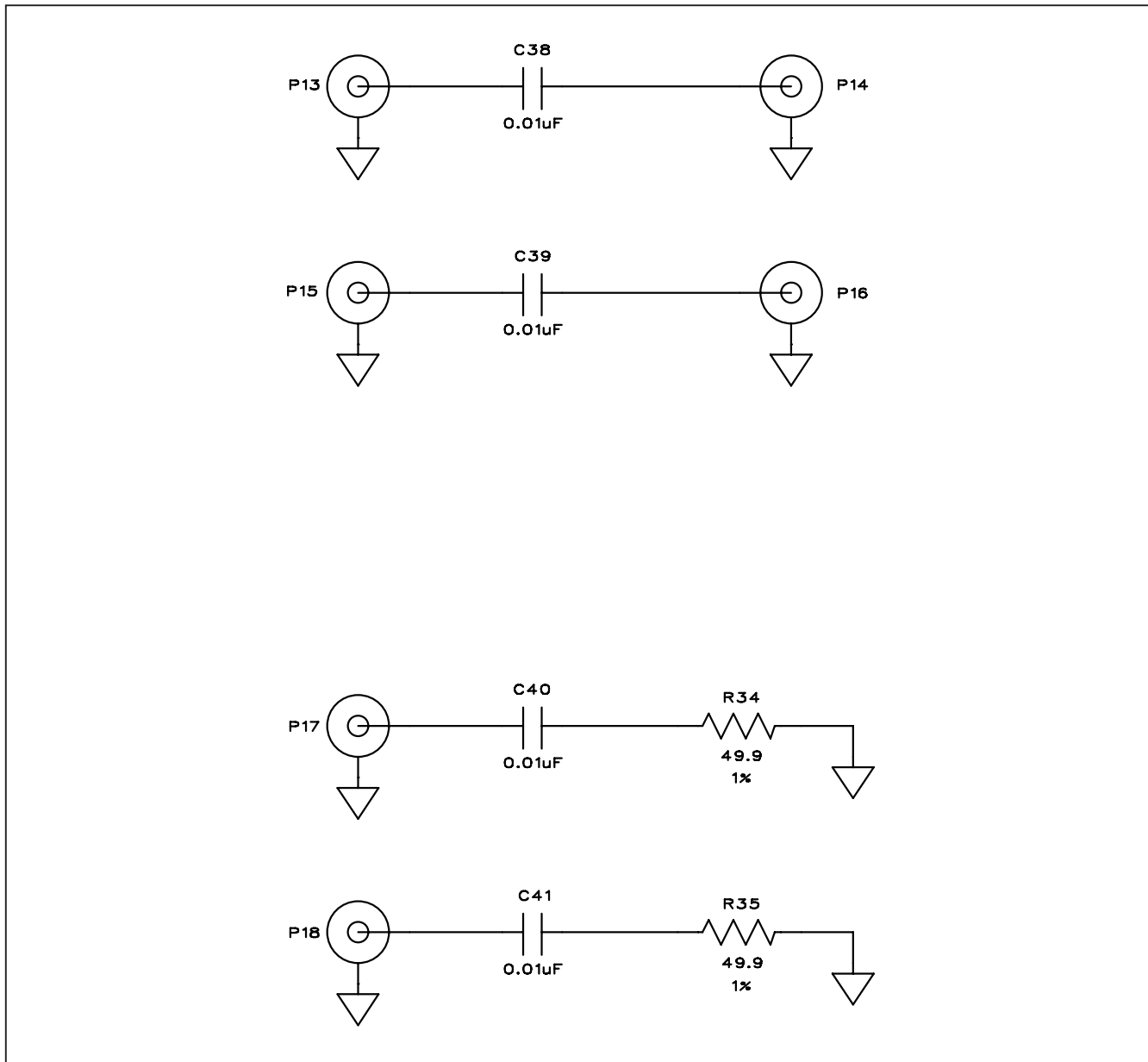


Figure 1c. MAX4986 EV Kit Schematic (Sheet 3 of 3)



# MAX4986 Evaluation Kit

Evaluates: MAX4986

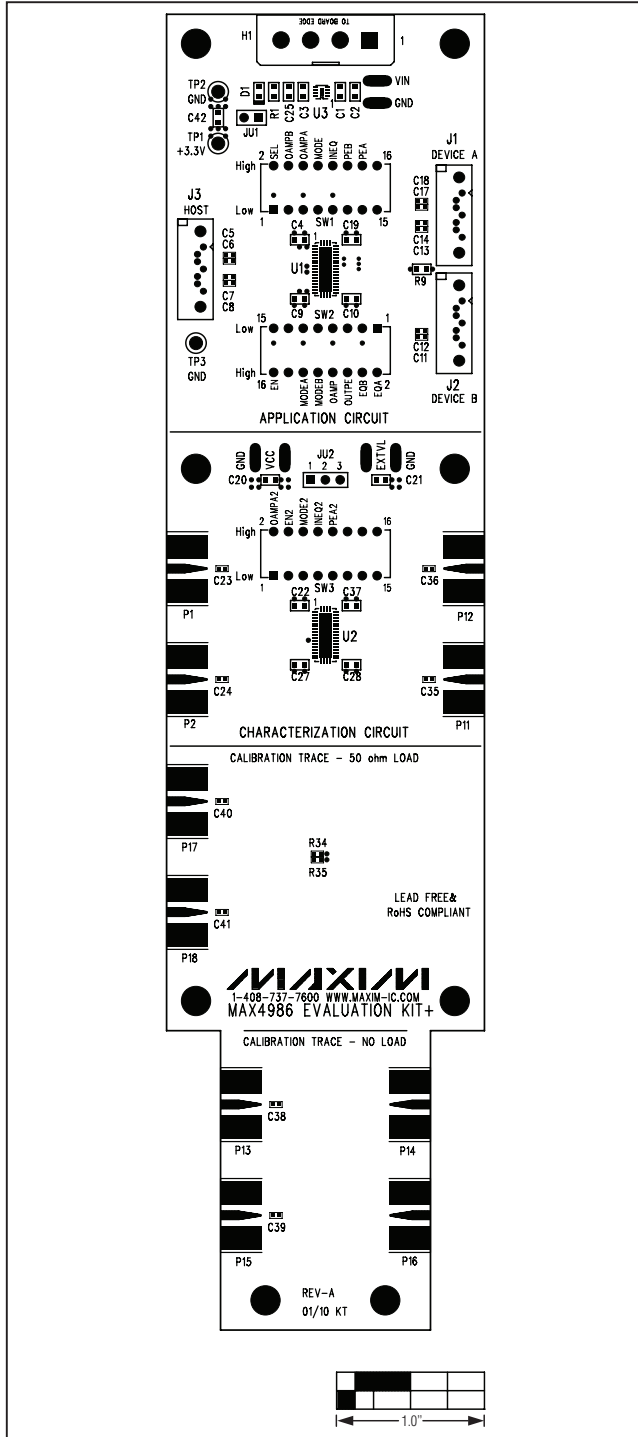


Figure 2. MAX4986 EV Kit Component Placement Guide—Component Side

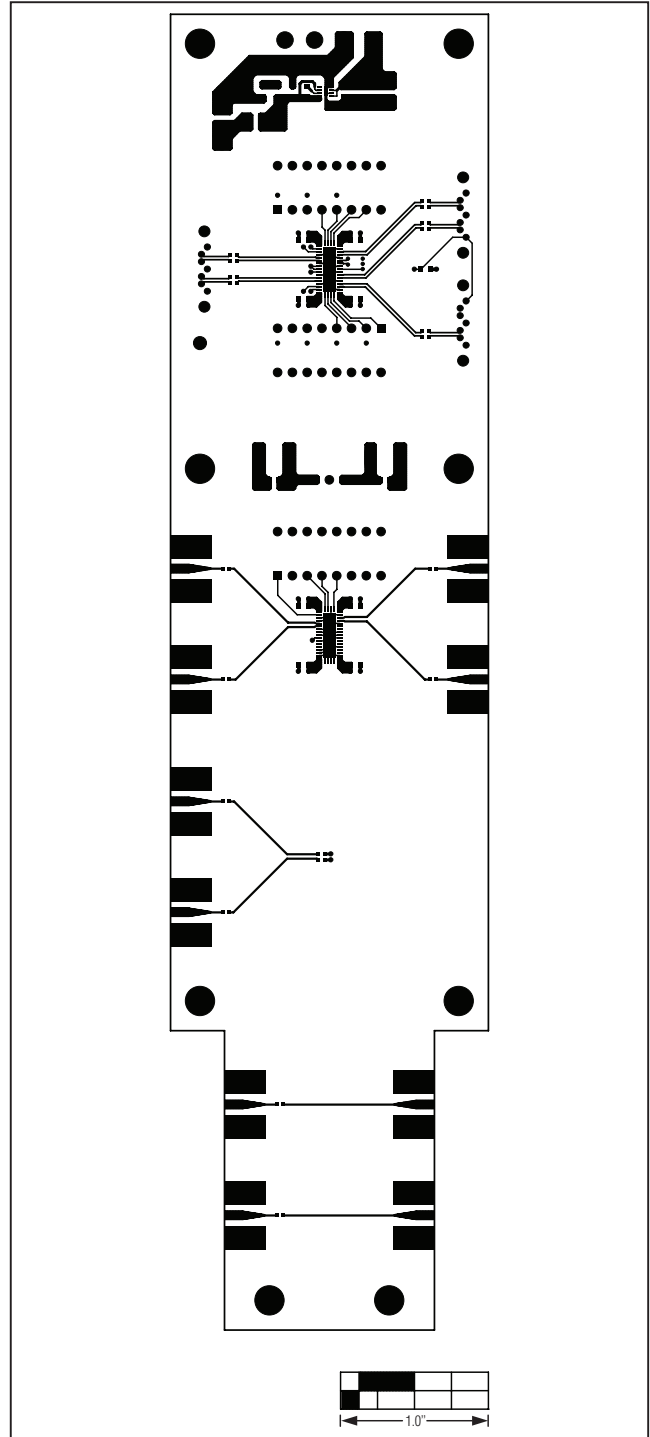


Figure 3. MAX4986 EV Kit PCB Layout—Component Side

# MAX4986 Evaluation Kit

Evaluates: MAX4986

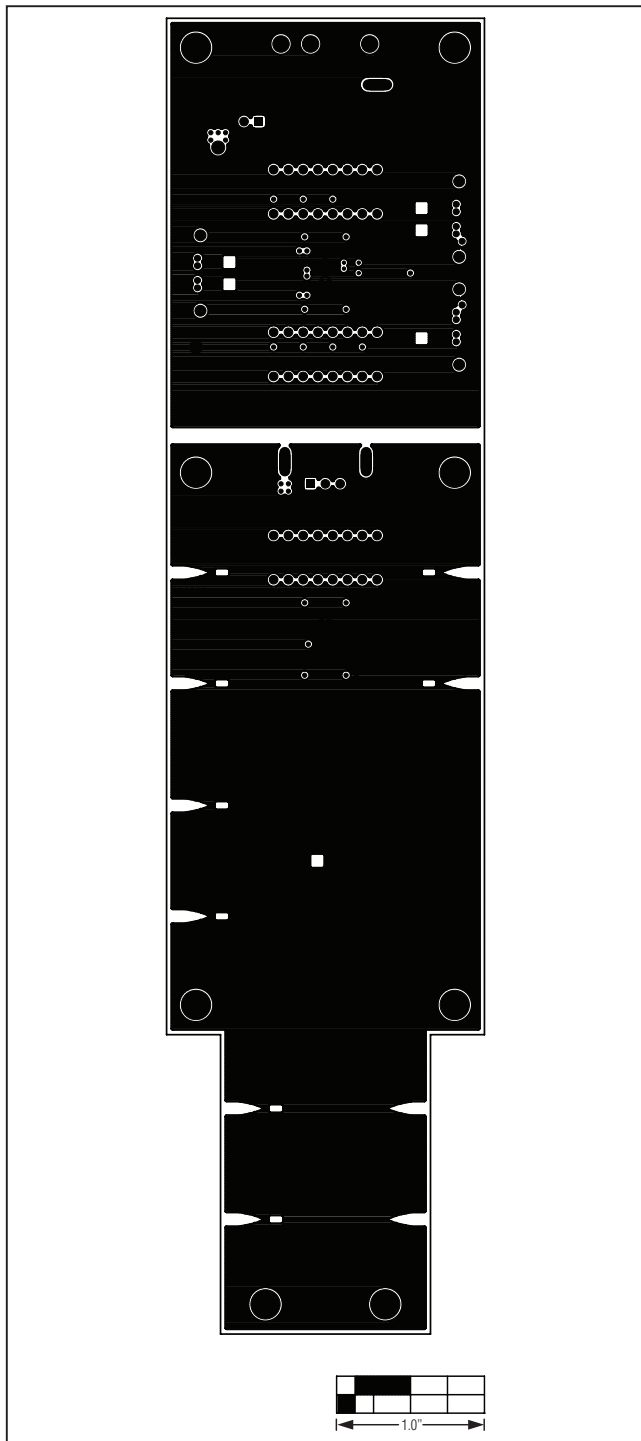


Figure 4. MAX4986 EV Kit PCB Layout—GND Layer 2

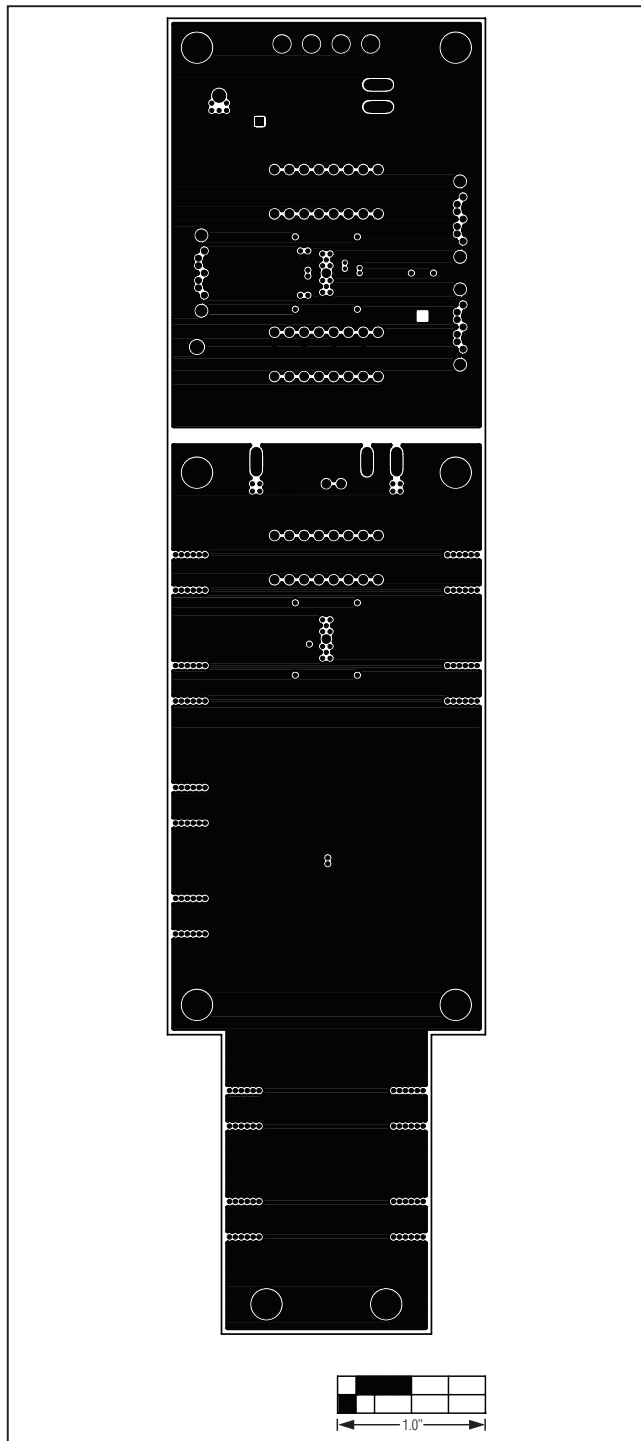


Figure 5. MAX4986 EV Kit PCB Layout—VCC Layer 3

# MAX4986 Evaluation Kit

Evaluates: MAX4986

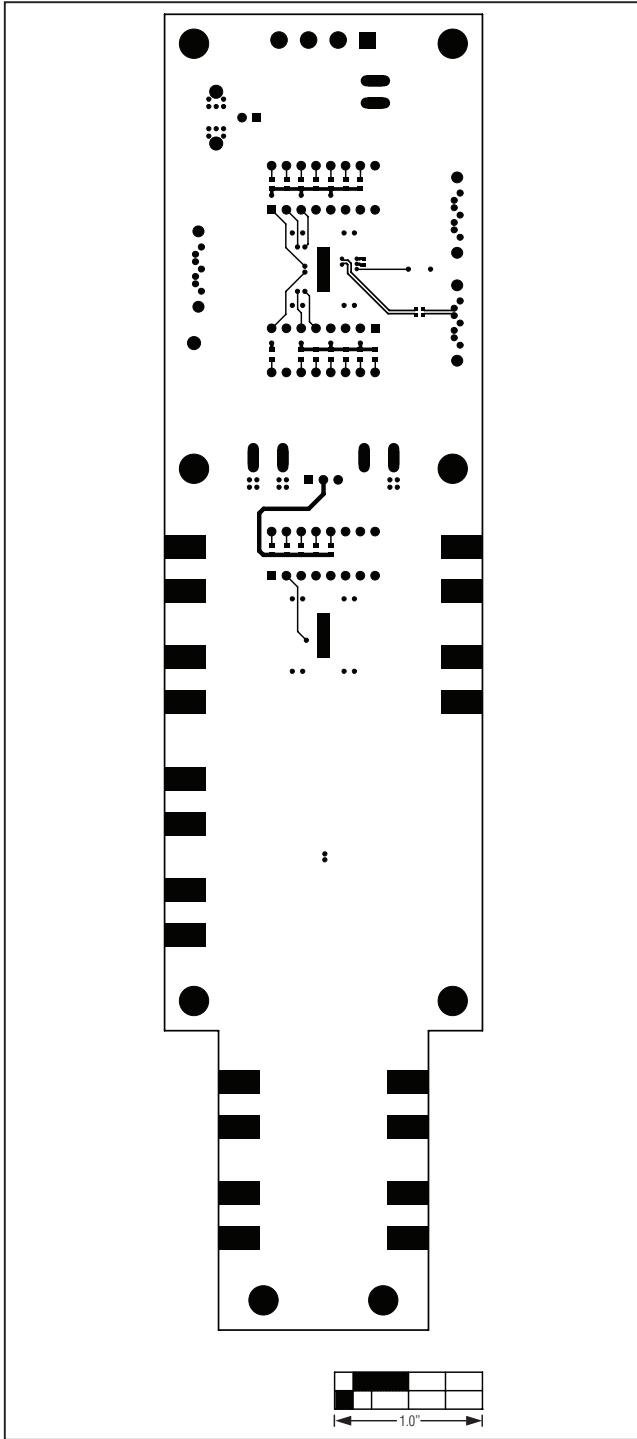


Figure 6. MAX4986 EV Kit PCB Layout—Solder Side

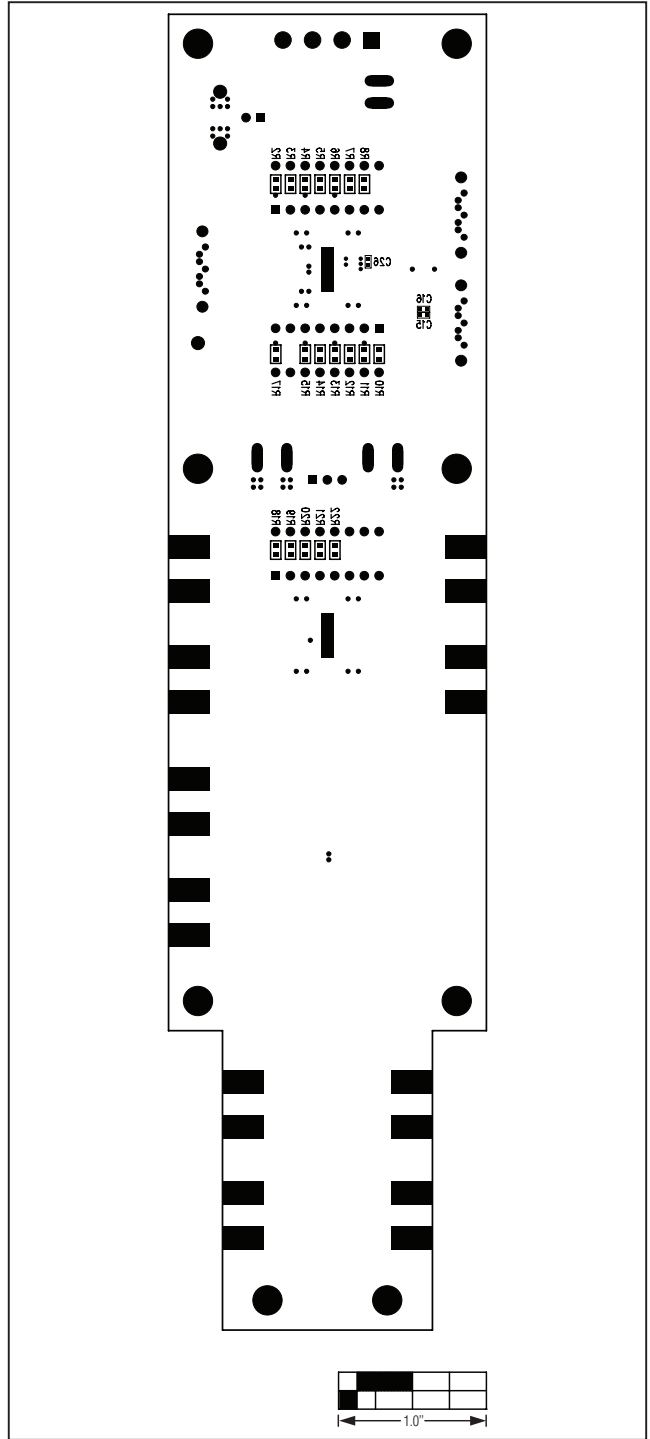


Figure 7. MAX4986 EV Kit Component Placement Guide—Solder Side

Maxim cannot assume responsibility for use of any circuitry other than circuitry entirely embodied in a Maxim product. No circuit patent licenses are implied. Maxim reserves the right to change the circuitry and specifications without notice at any time.

Maxim Integrated Products, 120 San Gabriel Drive, Sunnyvale, CA 94086 408-737-7600 \_\_\_\_\_ 11

## X-ON Electronics

Largest Supplier of Electrical and Electronic Components

*Click to view similar products for [Switch IC Development Tools](#) category:*

*Click to view products by [Maxim](#) manufacturer:*

Other Similar products are found below :

[EVAL-8MSOPEBZ](#) [ISL54059EVAL1Z](#) [TPS2041BEVM](#) [TPS2041BEVM-292](#) [TPS2051BEVM](#) [BOB-09056](#) [EKIT01-HMC1027BG](#)  
[TPS2561DRCEVM-424](#) [2717](#) [ISL54220IRUEVAL1Z](#) [TS3USB221AEVM](#) [ASL1101](#) [SIP32102EVB](#) [EVAL-14TSSOPEBZ](#) [EVAL-](#)  
[16TSSOPEBZ](#) [EVAL-ADG5243FEBZ](#) [EVAL-ADG5248FEBZ](#) [EVAL-ADG5249FEBZ](#) [EVAL-ADG5298EB1Z](#) [EVAL-ADG5412BFEBZ](#)  
[EVAL-ADG5412FEBZ](#) [EVAL-ADG5436FEBZ](#) [EVAL-ADG5462FEBZ](#) [EVAL-ADG788EBZ](#) [EVAL-ADG854EBZ](#) [EVAL-ADG884EBZ](#)  
[EVAL-ADG888EBZ](#) [EVAL-ADGS1412SDZ](#) [DFR0576](#) [DG1208EVKIT#](#) [DG1209EVKIT#](#) [MAX20334EVKIT#](#) [ADM00393](#) [ADM00795](#)  
[ADM00825](#) [MIC95410YFL-EV](#) [MIKROE-3916](#) [MIKROE-4094](#) [MIKROE-4111](#) [MIKROE-4240](#) [MIKROE-1998](#) [MIKROE-3245](#) [MIKROE-](#)  
[3247](#) [MIKROE-3262](#) [FSUSB242GEVB](#) [FUSB252GEVB](#) [TPS22932BEVM](#) [TPS2511EVM-141](#) [TS3DDR4000-EVM](#) [ADM00669](#)