

MAX6315

Open-Drain SOT μ P Reset Circuit

General Description

The MAX6315 low-power CMOS microprocessor (μ P) supervisory circuit is designed to monitor power supplies in μ P and digital systems. It provides excellent circuit reliability and low cost by eliminating external components and adjustments. The MAX6315 also provides a debounced manual reset input.

This device performs a single function: it asserts a reset signal whenever the V_{CC} supply voltage falls below a preset threshold or whenever manual reset is asserted. Reset remains asserted for an internally programmed interval (reset timeout period) after V_{CC} has risen above the reset threshold or manual reset is deasserted. The MAX6315's open-drain $\overline{\text{RESET}}$ output can be pulled up to a voltage higher than V_{CC} .

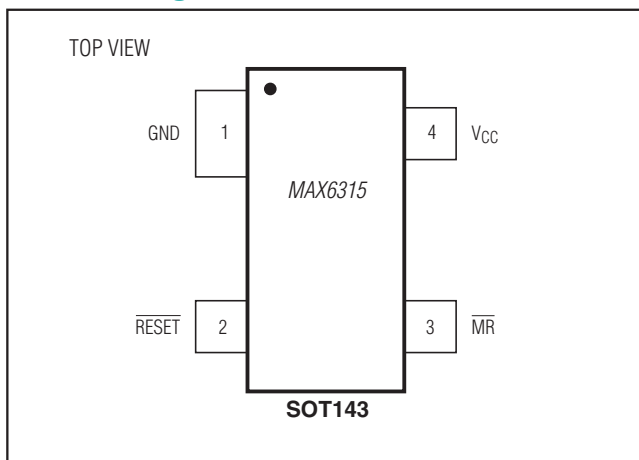
The MAX6315 comes with factory-trimmed reset threshold voltages in 100mV increments from 2.5V to 5V. Preset timeout periods of 1ms, 20ms, 140ms, and 1120ms (min) are also available. The device comes in a SOT143 package.

For microcontrollers (μ Cs) and μ Ps with bidirectional reset pins, see the MAX6314 data sheet.

Applications

- Computers
- Controllers
- Intelligent Instruments
- Critical μ P and μ C Power Monitoring
- Portable/Battery-Powered Equipment

Pin Configuration



Benefits and Features

- Supervisory Circuit Ensures Reliable System Operation with Minimal Power Consumption
 - Precision, Factory-Set V_{CC} Reset Thresholds: 100mV Increments from 2.5V to 5V
 - Four Reset Timeout Periods Available: 1ms, 20ms, 140ms, or 1120ms (min)
 - Immune to Short V_{CC} Transients
 - Open-Drain $\overline{\text{RESET}}$ Output Can Exceed V_{CC}
 - Guaranteed Over Temperature
 - 5 μ A Supply Current
- Pin Compatible with MAX811
- Saves Space
 - 4-Pin SOT143 Package

Ordering Information

| PART [†] | NOMINAL V_{TH} (V) | MIN t_{RP} (ms) | TOP MARK ^{††} |
|-------------------|----------------------|-------------------|------------------------|
| MAX6315US50D1-T | 5.00 | 1 | FX_ _ |

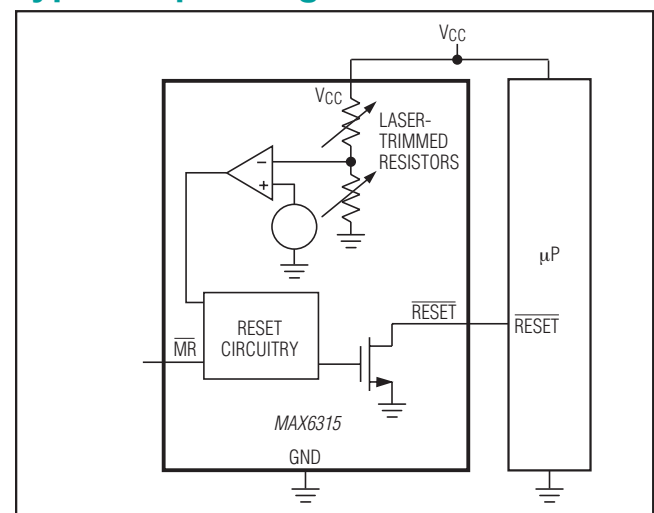
[†]The MAX6315 is available in a SOT143 package, -40°C to $+125^{\circ}\text{C}$ temperature range.

^{††}The first two letters in the package top mark identify the part, while the remaining two letters are the lot tracking code. Devices are available in both leaded and lead-free packaging. Specify lead(Pb)-free by replacing "-T" with "+T" when ordering.

Note: All devices available in tape-and-reel only. Contact factory for availability.

Ordering Information continued at end of data sheet.

Typical Operating Circuit



Absolute Maximum Ratings

| | |
|---------------------------------------|-----------------------------------|
| V _{CC} | -0.3V to +6.0V |
| RESET..... | -0.3V to +6.0V |
| All Other Pins..... | -0.3V to (V _{CC} + 0.3V) |
| Input Current (V _{CC})..... | 20mA |
| Output Current (RESET)..... | 20mA |
| Rate of Rise (V _{CC})..... | 100V/ μ s |

| | |
|--|-----------------|
| Continuous Power Dissipation (T _A = +70°C) SOT143 (derate 4mW/°C above +70°C)..... | 320mW |
| Operating Temperature Range | -40°C to +125°C |
| Storage Temperature Range | -65°C to +160°C |
| Lead Temperature (soldering, 10s) | +300°C |

Stresses beyond those listed under "Absolute Maximum Ratings" may cause permanent damage to the device. These are stress ratings only, and functional operation of the device at these or any other conditions beyond those indicated in the operational sections of the specifications is not implied. Exposure to absolute maximum rating conditions for extended periods may affect device reliability.

Electrical Characteristics

(V_{CC} = +2.5V to +5.5V, T_A = -40°C to +125°C, unless otherwise noted. Typical values are at T_A = +25°C.)

| PARAMETER | SYMBOL | CONDITIONS | MIN | TYP | MAX | UNITS |
|-----------------------------------|---------------------------|---|------------------------|-----------------|------------------------|---------|
| Operating Voltage Range | V _{CC} | T _A = -40°C to +85°C | 1.0 | | 5.5 | V |
| V _{CC} Supply Current | I _{CC} | V _{CC} = 5.5V, no load (-40°C to +85°C) | | 5 | 12 | μ A |
| | | V _{CC} = 5.5V, no load (-40°C to +125°C) | | | 15 | |
| | | V _{CC} = 3.6V, no load (-40°C to +85°C) | | 4 | 10 | |
| | | V _{CC} = 3.6V, no load (-40°C to +125°C) | | | 12 | |
| Reset Threshold (Note 1) | V _{TH} | T _A = +25°C | V _{TH} - 1.8% | V _{TH} | V _{TH} + 1.8% | V |
| | | T _A = -40°C to +85°C | V _{TH} - 2.5% | | V _{TH} + 2.5% | |
| | | T _A = -40°C to +125°C | V _{TH} - 3.5% | | V _{TH} + 3.5% | |
| Reset Threshold Tempco | $\Delta V_{TH}/^{\circ}C$ | | | 60 | | ppm/°C |
| V _{CC} to Reset Delay | | V _{CC} = falling at 1mV/ μ s | | 35 | | μ s |
| Reset Timeout Period | t _{RP} | MAX6315US__D1-T (-40°C to +85°C) | 1 | 1.4 | 2 | ms |
| | | MAX6315US__D1-T (-40°C to +125°C) | 0.8 | | 2.4 | |
| | | MAX6315US__D2-T (-40°C to +85°C) | 20 | 28 | 40 | |
| | | MAX6315US__D2-T (-40°C to +125°C) | 16 | | 48 | |
| | | MAX6315US__D3-T (-40°C to +85°C) | 140 | 200 | 280 | |
| | | MAX6315US__D3-T (-40°C to +125°C) | 112 | | 336 | |
| | | MAX6315US__D4-T (-40°C to +85°C) | 1120 | 1570 | 2240 | |
| MAX6315US__D4-T (-40°C to +125°C) | 896 | | 2688 | | | |

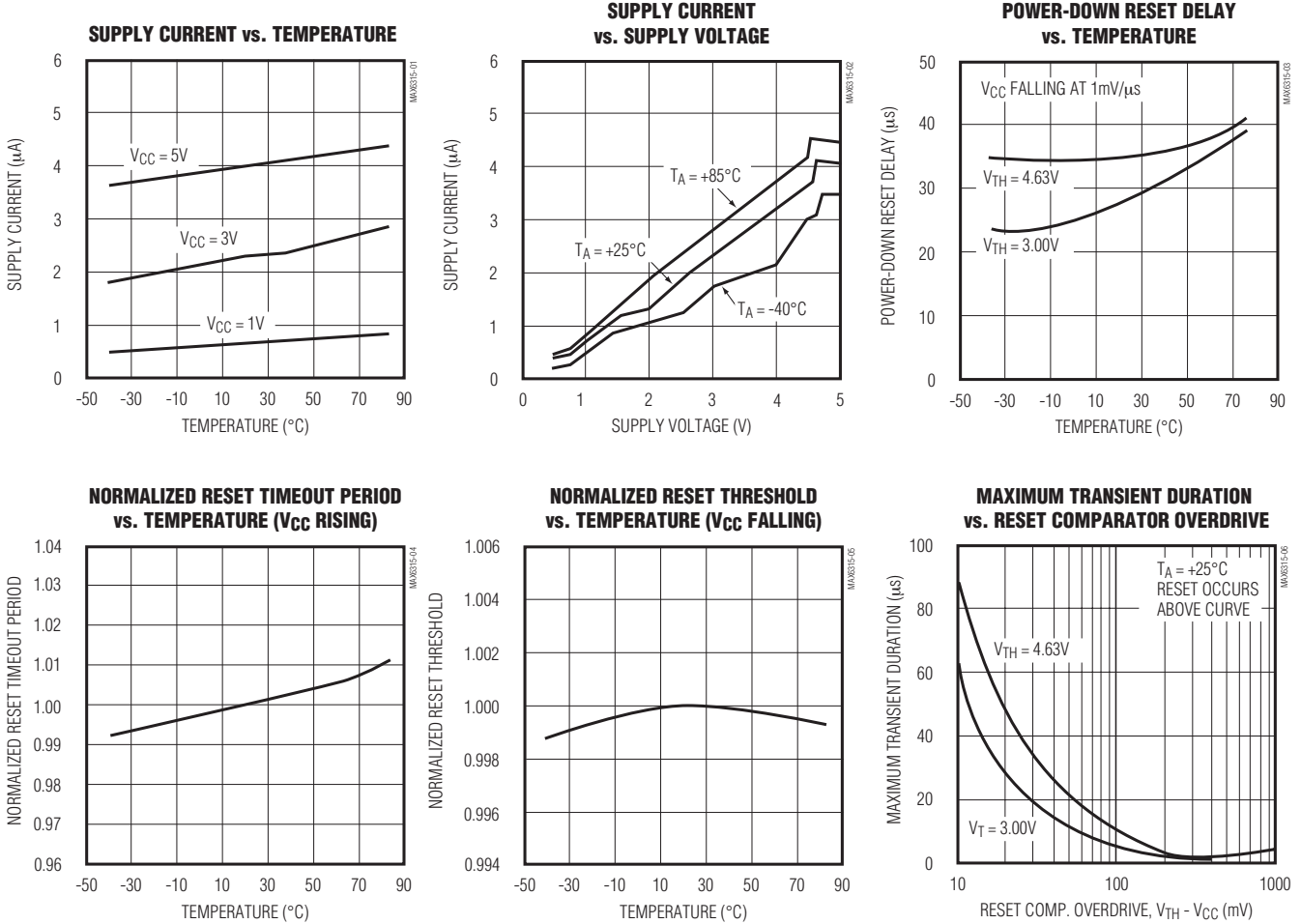
MANUAL RESET INPUT

| | | | | | | |
|---|-----------------|---|-----------------------|---------|---------|------------|
| \overline{MR} Input Threshold | V _{IL} | V _{TH} > 4.0V | 0.8 | V | | |
| | V _{IH} | | 2.4 | | | |
| | V _{IL} | V _{TH} < 4.0V | 0.3 x V _{CC} | | | |
| | V _{IH} | | 0.7 x V _{CC} | | | |
| \overline{MR} Minimum Input Pulse | | | 1 | μ s | | |
| \overline{MR} Glitch Rejection | | | 100 | ns | | |
| \overline{MR} to Reset Delay | | | 500 | ns | | |
| \overline{MR} Pullup Resistance | | | 32 | 63 | 100 | k Ω |
| \overline{RESET} Output Voltage | V _{OL} | V _{CC} > 4.25V, I _{SINK} = 3.2mA | | 0.4 | V | |
| | | V _{CC} > 2.5V, I _{SINK} = 1.2mA | | 0.3 | | |
| | | V _{CC} > 1.2V, I _{SINK} = 0.5mA | | 0.3 | | |
| | | V _{CC} > 1.0V, I _{SINK} = 80 μ A | | 0.3 | | |
| \overline{RESET} Output Leakage Current | | V _{CC} > V _{TH} , \overline{RESET} deasserted | | 1 | μ A | |

Note 1: The MAX6315 monitors V_{CC} through an internal factory-trimmed voltage-divider that programs the nominal reset threshold. Factory-trimmed reset thresholds are available in 100mV increments from 2.5V to 5V (see the *Ordering Information*).

Typical Operating Characteristics

($T_A = +25^\circ\text{C}$, unless otherwise noted.)



Pin Description

| PIN | NAME | FUNCTION |
|-----|---------------------------|---|
| 1 | GND | Ground |
| 2 | $\overline{\text{RESET}}$ | Active-Low Open-Drain Output. Connect to an external pullup resistor. Can be pulled up to a voltage higher than V_{CC} , but less than 6V. |
| 3 | $\overline{\text{MR}}$ | Manual Reset Input. A logic-low on $\overline{\text{MR}}$ asserts reset. Reset remains asserted as long as $\overline{\text{MR}}$ is low, and for the reset timeout period (t_{RP}) after the reset conditions are terminated. Connect to V_{CC} if not used. |
| 4 | V_{CC} | Supply Voltage and Reset Threshold Monitor Input |

Detailed Description

Reset Output

A microprocessor's (μ P's) reset input starts the μ P in a known state. The MAX6315 asserts reset to prevent code-execution errors during power-up, power-down, or brownout conditions. $\overline{\text{RESET}}$ is guaranteed to be a logic-low for $V_{CC} > 1\text{V}$ (see the *Electrical Characteristics* table). Once V_{CC} exceeds the reset threshold, the internal timer keeps $\overline{\text{RESET}}$ asserted for the reset timeout period (t_{RP}); after this interval $\overline{\text{RESET}}$ goes high. If a brownout condition occurs (monitored voltage dips below its programmed reset threshold), $\overline{\text{RESET}}$ goes low. Any time V_{CC} dips below the reset threshold, the internal timer resets to zero and $\overline{\text{RESET}}$ goes low. The internal timer starts when V_{CC} returns above the reset threshold, and $\overline{\text{RESET}}$ remains low for the reset timeout period.

The MAX6315's $\overline{\text{RESET}}$ output structure is a simple open-drain n-channel MOSFET switch. Connect a pull-up resistor to any supply in the 0V to +6V range. Select a resistor value large enough to register a logic low when $\overline{\text{RESET}}$ is asserted (see the *Electrical Characteristics* table), and small enough to register a logic high while supplying all input current and leakage paths connected to the $\overline{\text{RESET}}$ line. A 10k Ω pullup is sufficient in most applications.

Often, the pullup connected to the MAX6315's $\overline{\text{RESET}}$ output will connect to the supply voltage monitored at the IC's V_{CC} pin. However, some systems may use the open-drain output to level-shift from the monitored supply to reset circuitry powered by some other supply (Figure 1). This is one useful feature of an open-drain output. Keep in mind that as the MAX6315's V_{CC} decreases below 1V, so does the IC's ability to sink current at $\overline{\text{RESET}}$. Finally, with any pullup, $\overline{\text{RESET}}$ will be pulled high as V_{CC} decays toward 0V. The voltage where this occurs depends on the pullup resistor value and the voltage to which it connects (see the *Electrical Characteristics* table).

Manual-Reset Input

Many μ P-based products require manual-reset capability, allowing the operator, a test technician, or external logic circuitry to initiate a reset. A logic low on $\overline{\text{MR}}$ asserts reset. Reset remains asserted while $\overline{\text{MR}}$ is low, and for the reset active timeout period after $\overline{\text{MR}}$ returns high.

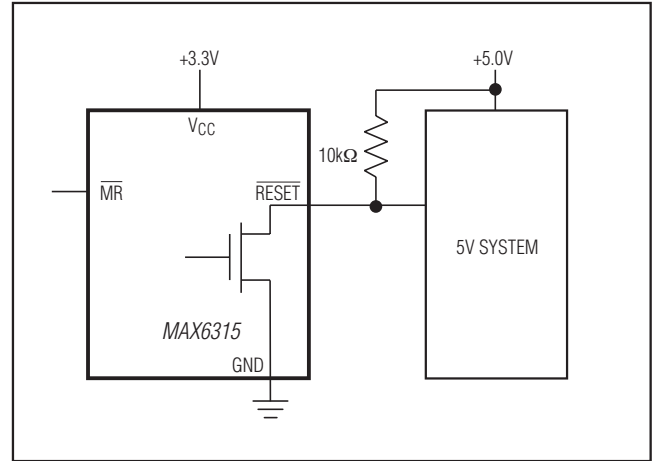


Figure 1. MAX6315 Open-Drain $\overline{\text{RESET}}$ Output Allows Use with Multiple Supplies

$\overline{\text{MR}}$ has an internal 63k Ω pullup resistor, so it can be left open if not used. Connect a normally open momentary switch from $\overline{\text{MR}}$ to GND to create a manual-reset function; external debounce circuitry is not required. If $\overline{\text{MR}}$ is driven from long cables or if the device is used in a noisy environment, connecting a 0.1 μ F capacitor from $\overline{\text{MR}}$ to ground provides additional noise immunity.

Applications Information

Negative-Going Vcc Transients

In addition to issuing a reset to the μ P during power-up, power-down, and brownout conditions, these devices are relatively immune to short-duration negative-going transients (glitches). The *Typical Operating Characteristics* show the Maximum Transient Duration vs. Reset Comparator Overdrive, for which reset pulses are not generated. The graph was produced using negative-going pulses, starting at $V_{RST\ max}$ and ending below the programmed reset threshold by the magnitude indicated (reset threshold overdrive). The graph shows the maximum pulse width that a negative-going Vcc transient may typically have without causing a reset pulse to be issued. As the transient amplitude increases (i.e., goes farther below the reset threshold), the maximum allowable pulse width decreases. A 0.1 μ F bypass capacitor mounted close to VCC provides additional transient immunity.

Ordering Information (continued)

| PART [†] | NOMINAL V _{TH} (V) | MIN t _{RP} (ms) | TOP MARK ^{††} |
|--------------------------------------|--------------------------------|-----------------------------|---------------------------|
| MAX6315US49D1-T | 4.90 | 1 | FY_ _ |
| MAX6315US48D1-T | 4.80 | 1 | FZ_ _ |
| MAX6315US47D1-T | 4.70 | 1 | GA_ _ |
| MAX6315US46D1-T | 4.63 | 1 | GB_ _ |
| MAX6315US45D1-T | 4.50 | 1 | GC_ _ |
| MAX6315US44D1-T^{†††} | 4.39 | 1 | GD_ _ |
| MAX6315US43D1-T | 4.30 | 1 | GE_ _ |
| MAX6315US42D1-T | 4.20 | 1 | GF_ _ |
| MAX6315US41D1-T | 4.10 | 1 | GG_ _ |
| MAX6315US40D1-T | 4.00 | 1 | GH_ _ |
| MAX6315US39D1-T | 3.90 | 1 | GI_ _ |
| MAX6315US38D1-T | 3.80 | 1 | GJ_ _ |
| MAX6315US37D1-T | 3.70 | 1 | GK_ _ |
| MAX6315US36D1-T | 3.60 | 1 | GL_ _ |
| MAX6315US35D1-T | 3.50 | 1 | GM_ _ |
| MAX6315US34D1-T | 3.40 | 1 | GN_ _ |
| MAX6315US33D1-T | 3.30 | 1 | GO_ _ |
| MAX6315US32D1-T | 3.20 | 1 | GP_ _ |
| MAX6315US31D1-T | 3.08 | 1 | GQ_ _ |
| MAX6315US30D1-T | 3.00 | 1 | GR_ _ |
| MAX6315US29D1-T | 2.93 | 1 | GS_ _ |
| MAX6315US28D1-T | 2.80 | 1 | GT_ _ |
| MAX6315US27D1-T | 2.70 | 1 | GU_ _ |
| MAX6315US26D1-T^{†††} | 2.63 | 1 | GV_ _ |
| MAX6315US25D1-T | 2.50 | 1 | GW_ _ |

| PART [†] | NOMINAL V _{TH} (V) | MIN t _{RP} (ms) | TOP MARK ^{††} |
|--------------------------------------|--------------------------------|-----------------------------|---------------------------|
| MAX6315US50D2-T | 5.00 | 20 | GX_ _ |
| MAX6315US49D2-T | 4.90 | 20 | GY_ _ |
| MAX6315US48D2-T | 4.80 | 20 | GZ_ _ |
| MAX6315US47D2-T | 4.70 | 20 | HA_ _ |
| MAX6315US46D2-T | 4.63 | 20 | HB_ _ |
| MAX6315US45D2-T | 4.50 | 20 | HC_ _ |
| MAX6315US44D2-T^{†††} | 4.39 | 20 | HD_ _ |
| MAX6315US43D2-T | 4.30 | 20 | HE_ _ |
| MAX6315US42D2-T | 4.20 | 20 | HF_ _ |
| MAX6315US41D2-T | 4.10 | 20 | HG_ _ |
| MAX6315US40D2-T | 4.00 | 20 | HH_ _ |
| MAX6315US39D2-T | 3.90 | 20 | HI_ _ |
| MAX6315US38D2-T | 3.80 | 20 | HJ_ _ |
| MAX6315US37D2-T | 3.70 | 20 | HK_ _ |
| MAX6315US36D2-T | 3.60 | 20 | HL_ _ |
| MAX6315US35D2-T | 3.50 | 20 | HM_ _ |
| MAX6315US34D2-T | 3.40 | 20 | HN_ _ |
| MAX6315US33D2-T | 3.30 | 20 | HO_ _ |
| MAX6315US32D2-T | 4.20 | 20 | HP_ _ |
| MAX6315US31D2-T | 3.08 | 20 | HQ_ _ |
| MAX6315US30D2-T | 3.00 | 20 | HR_ _ |
| MAX6315US29D2-T | 2.93 | 20 | HS_ _ |
| MAX6315US28D2-T | 2.80 | 20 | HT_ _ |
| MAX6315US27D2-T | 2.70 | 20 | HU_ _ |
| MAX6315US26D2-T^{†††} | 2.63 | 20 | HV_ _ |
| MAX6315US25D2-T | 2.50 | 20 | HW_ _ |

[†]The MAX6315 is available in a SOT143 package, -40°C to +125°C temperature range.

^{††}The first two letters in the package top mark identify the part, while the remaining two letters are the lot tracking code.

^{†††}Sample stocks generally held on the bolded products; also, the bolded products have 2,500 piece minimum-order quantities. Non-bolded products have 10,000 piece minimum-order quantities. Contact factory for details.

Devices are available in both leaded and lead(Pb)-free packaging. Specify lead-free by replacing "-T" with "+T" when ordering.

Note: All devices available in tape-and-reel only. Contact factory for availability.

Ordering Information (continued)

| PART [†] | NOMINAL V _{TH} (V) | MIN t _{RP} (ms) | TOP MARK ^{††} |
|--------------------------------------|--------------------------------|-----------------------------|---------------------------|
| MAX6315US50D3-T | 5.00 | 140 | HX_ _ |
| MAX6315US49D3-T | 4.90 | 140 | HY_ _ |
| MAX6315US48D3-T | 4.80 | 140 | HZ_ _ |
| MAX6315US47D3-T | 4.70 | 140 | IA_ _ |
| MAX6315US46D3-T^{†††} | 4.63 | 140 | IB_ _ |
| MAX6315US45D3-T | 4.50 | 140 | IC_ _ |
| MAX6315US44D3-T^{†††} | 4.39 | 140 | ID_ _ |
| MAX6315US43D3-T | 4.30 | 140 | IE_ _ |
| MAX6315US42D3-T | 4.20 | 140 | IF_ _ |
| MAX6315US41D3-T | 4.10 | 140 | IG_ _ |
| MAX6315US40D3-T | 4.00 | 140 | IH_ _ |
| MAX6315US39D3-T | 3.90 | 140 | II_ _ |
| MAX6315US38D3-T | 3.80 | 140 | IJ_ _ |
| MAX6315US37D3-T | 3.70 | 140 | IK_ _ |
| MAX6315US36D3-T | 3.60 | 140 | IL_ _ |
| MAX6315US35D3-T | 3.50 | 140 | IM_ _ |
| MAX6315US34D3-T | 3.40 | 140 | IN_ _ |
| MAX6315US33D3-T | 3.30 | 140 | IO_ _ |
| MAX6315US32D3-T | 3.20 | 140 | IP_ _ |
| MAX6315US31D3-T^{†††} | 3.08 | 140 | IQ_ _ |
| MAX6315US30D3-T | 3.00 | 140 | IR_ _ |
| MAX6315US29D3-T^{†††} | 2.93 | 140 | IS_ _ |
| MAX6315US28D3-T | 2.80 | 140 | IT_ _ |
| MAX6315US27D3-T | 2.70 | 140 | IU_ _ |
| MAX6315US26D3-T^{†††} | 2.63 | 140 | IV_ _ |
| MAX6315US25D3-T | 2.50 | 140 | IW_ _ |

| PART [†] | NOMINAL V _{TH} (V) | MIN t _{RP} (ms) | TOP MARK ^{††} |
|--------------------------------------|--------------------------------|-----------------------------|---------------------------|
| MAX6315US50D4-T | 5.00 | 1120 | IX_ _ |
| MAX6315US49D4-T | 4.90 | 1120 | IY_ _ |
| MAX6315US48D4-T | 4.80 | 1120 | IZ_ _ |
| MAX6315US47D4-T | 4.70 | 1120 | JA_ _ |
| MAX6315US46D4-T | 4.63 | 1120 | JB_ _ |
| MAX6315US45D4-T | 4.50 | 1120 | JC_ _ |
| MAX6315US44D4-T^{†††} | 4.39 | 1120 | JD_ _ |
| MAX6315US43D4-T | 4.30 | 1120 | JE_ _ |
| MAX6315US42D4-T | 4.20 | 1120 | JF_ _ |
| MAX6315US41D4-T | 4.10 | 1120 | JG_ _ |
| MAX6315US40D4-T | 4.00 | 1120 | JH_ _ |
| MAX6315US39D4-T | 3.90 | 1120 | JI_ _ |
| MAX6315US38D4-T | 3.80 | 1120 | JJ_ _ |
| MAX6315US37D4-T | 3.70 | 1120 | JK_ _ |
| MAX6315US36D4-T | 3.60 | 1120 | JL_ _ |
| MAX6315US35D4-T | 3.50 | 1120 | JM_ _ |
| MAX6315US34D4-T | 3.40 | 1120 | JN_ _ |
| MAX6315US33D4-T | 3.30 | 1120 | JO_ _ |
| MAX6315US32D4-T | 3.20 | 1120 | JP_ _ |
| MAX6315US31D4-T | 3.08 | 1120 | JQ_ _ |
| MAX6315US30D4-T | 3.00 | 1120 | JR_ _ |
| MAX6315US29D4-T | 2.93 | 1120 | JS_ _ |
| MAX6315US28D4-T | 2.80 | 1120 | JT_ _ |
| MAX6315US27D4-T | 2.70 | 1120 | JU_ _ |
| MAX6315US26D4-T^{†††} | 2.63 | 1120 | JV_ _ |
| MAX6315US25D4-T | 2.50 | 1120 | JW_ _ |

[†] The MAX6315 is available in a SOT143 package, -40°C to +125°C temperature range.

^{††} The first two letters in the package top mark identify the part, while the remaining two letters are the lot tracking code.

^{†††} Sample stocks generally held on the bolded products; also, the bolded products have 2,500 piece minimum-order quantities. Non-bolded products have 10,000 piece minimum-order quantities. Contact factory for details.

Devices are available in both leaded and lead (Pb)-free packaging. Specify lead-free by replacing "-T" with "+T" when ordering.

Note: All devices available in tape-and-reel only. Contact factory for availability.

Chip Information

TRANSISTOR COUNT: 519

Package Information

For the latest package outline information and land patterns (footprints), go to www.maximintegrated.com/packages. Note that a "+", "#", or "-" in the package code indicates RoHS status only. Package drawings may show a different suffix character, but the drawing pertains to the package regardless of RoHS status.

| PACKAGE TYPE | PACKAGE CODE | OUTLINE NO. | LAND PATTERN NO. |
|--------------|--------------|-------------------------|-------------------------|
| 4 SOT35 | U4+1 | 21-0052 | 90-0183 |

Revision History

| REVISION NUMBER | REVISION DATE | DESCRIPTION | PAGES CHANGED |
|-----------------|---------------|---|---------------|
| 4 | 4/15 | Updated <i>Benefits and Features</i> and <i>Package Information</i> , added <i>Revision History</i> | 1, 7 |

For pricing, delivery, and ordering information, please contact Maxim Direct at 1-888-629-4642, or visit Maxim Integrated's website at www.maximintegrated.com.

Maxim Integrated cannot assume responsibility for use of any circuitry other than circuitry entirely embodied in a Maxim Integrated product. No circuit patent licenses are implied. Maxim Integrated reserves the right to change the circuitry and specifications without notice at any time. The parametric values (min and max limits) shown in the Electrical Characteristics table are guaranteed. Other parametric values quoted in this data sheet are provided for guidance.

X-ON Electronics

Largest Supplier of Electrical and Electronic Components

Click to view similar products for [Supervisory Circuits](#) category:

Click to view products by [Maxim](#) manufacturer:

Other Similar products are found below :

[CAT1161LI-25-G](#) [CAT853STBI-T3](#) [CAT1026LI-30-G](#) [CAT1320LI-25-G](#) [TC54VN2402EMB713](#) [MCP1316T-44NE/OT](#) [MCP1316MT-45GE/OT](#) [MCP1316MT-23LI/OT](#) [MAX8997EWW+](#) [MAX6725AKASYD3-LF-T](#) [DS1232L](#) [NCV302HSN45T1G](#) [PT7M6130NLTA3EX](#) [PT7M7811STBEX-2017](#) [S-1000N28-I4T1U](#) [CAT1161LI-28-G](#) [MCP1321T-29AE/OT](#) [MCP1319MT-47QE/OT](#) [S-1000N23-I4T1U](#) [S-1000N19-I4T1U](#) [CAT824UTDI-GT3](#) [TC54VC2502ECB713](#) [PT7M6133NLTA3EX](#) [PT7M6127NLTA3EX](#) [AP0809ES3-r](#) [HG811RM4/TR](#) [MD7030C](#) [MD7033C](#) [MD7019](#) [MD7020](#) [MD7021](#) [MD7023](#) [MD7024](#) [MD7027](#) [MD7030](#) [MD7033](#) [MD7035](#) [MD7036](#) [MD7039](#) [MD7040](#) [MD7044](#) [MD7050](#) [MD7015](#) [MD7022](#) [MD7028](#) [MD7031](#) [MD7042](#) [MD7043](#) [MD7047](#) [MD7060](#)