

General Description

The MAX6629–MAX6632 are local digital temperature sensors with an SPI-compatible serial interface. The temperature is converted to a 12-bit + sign word with a resolution of 0.0625°C/LSB. An extended temperature range provides useful readings up to +150°C.

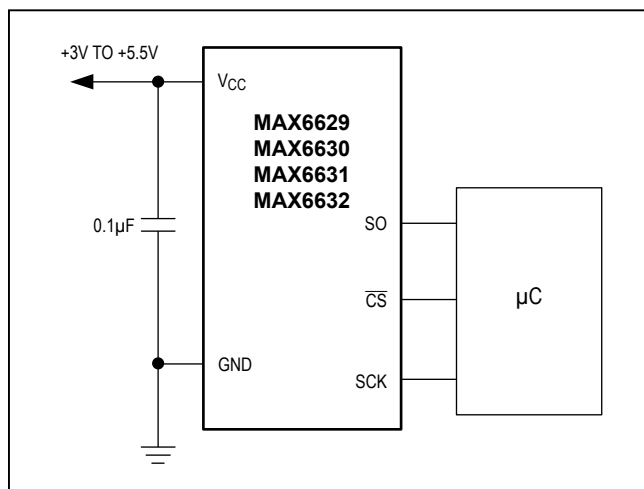
These sensors are 3-wire serial interface SPI compatible, allowing the MAX6629–MAX6632 to be readily connected to a variety of microcontrollers (μCs). The MAX6629–MAX6632 are read-only devices, simplifying their use in systems where only temperature data is required.

All four digital temperature sensors require very little supply current, making them ideal for portable systems. The MAX6631/MAX6632 perform a temperature-to-digital conversion once every 8s and require minimal average supply current, 32μA (typ). The MAX6629/MAX6630 perform a conversion once every 0.5s and require only 200μA (typ) supply current. Any of these temperature sensors can perform conversions more often—up to approximately four conversions per second by reading the conversion results more often.

Applications

- Cellular
- Hard Disk Drive
- HVACs
- Industrial Control
- Systems

Typical Application Circuit



Features

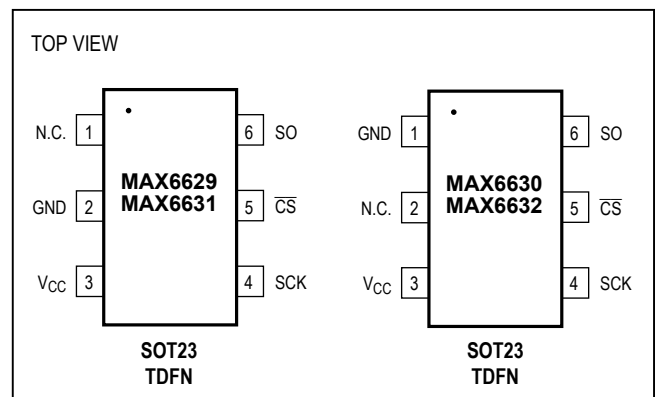
- Low Power Consumption
 - 32μA typ (MAX6631/MAX6632)
 - 200μA typ (MAX6629/MAX6630)
- 12-Bit + Sign Resolution with 0.0625°C/LSB
- Accuracy
 - ±1°C (max) from 0°C to +70°C
- +150°C Extended Temperature Range
- SPI-Compatible Serial Interface
- +3.0V to +5.5V Supply Range
- 6-Pin TDFN and SOT23 Packages
- Lead-Free Version Available (TDFN Package)

Ordering Information

| PART | TEMP RANGE | PIN-PACKAGE |
|----------------|-----------------|-------------|
| MAX6629MTT+ | -55°C to +125°C | 6 TDFN-EP* |
| MAX6629MUT#G16 | -55°C to +125°C | 6 SOT23 |
| MAX6630MTT+ | -55°C to +125°C | 6 TDFN-EP* |
| MAX6630MUT#G16 | -55°C to +125°C | 6 SOT23 |
| MAX6631MTT+ | -55°C to +125°C | 6 TDFN-EP* |
| MAX6632MTT+ | -55°C to +125°C | 6 TDFN-EP* |
| MAX6632MUT#G16 | -55°C to +125°C | 6 SOT23 |

+Denotes a lead(Pb)-free/RoHS-compliant package.
*EP = Exposed pad.

Pin Configurations



Absolute Maximum Ratings

All voltages referenced to GND.

| | |
|---|-------------------------------|
| V _{CC} | -0.3V, +6.0V |
| SO, SCK, \overline{CS} | -0.3V, V _{CC} + 0.3V |
| SO | -1mA to +50mA |
| Current into Any Pin | 10mA |
| Continuous Power Dissipation (T _A = +70°C) | |
| 6-Pin SOT23 (derate 9.10mW/°C above +70°C)..... | 727mW |
| 6-Pin TDFN (derate 24.4mW/°C above +70°C)..... | 1951mW |

| | |
|--|-----------------|
| Junction Temperature..... | +150°C |
| Operating Temperature Range (Note 1)..... | -55°C to +150°C |
| Storage Temperature Range..... | -65°C to +150°C |
| Lead Temperature (soldering, 10s)..... | +300°C |
| Soldering Temperature (reflow) | |
| TDFN..... | +260°C |
| SOT23 (Ordering Information contains "#")..... | +245°C |
| SOT23 (Ordering Information contains "-")..... | +240°C |

Note 1: It is not recommended to operate the device above +125°C for extended periods of time.

Stresses beyond those listed under "Absolute Maximum Ratings" may cause permanent damage to the device. These are stress ratings only, and functional operation of the device at these or any other conditions beyond those indicated in the operational sections of the specifications is not implied. Exposure to absolute maximum rating conditions for extended periods may affect device reliability.

Electrical Characteristics

(V_{CC} = +3.0V to +5.5V, T_A = -55°C to +125°C, unless otherwise noted. Typical values are at V_{CC} = +3.3V and T_A = +25°C.) (Notes 2 and 3)

| PARAMETER | SYMBOL | CONDITIONS | MIN | TYP | MAX | UNITS |
|--------------------------------|---------------------|--|--------|------|------|-------|
| TEMPERATURE | | | | | | |
| Accuracy | | T _A = room temp, V _{CC} = +3.3V | -0.8 | ±0.2 | +0.8 | °C |
| | | 0°C ≤ T _A ≤ +70°C, V _{CC} = +3.3V | -1.0 | ±0.2 | +1.0 | |
| | | -20°C ≤ T _A ≤ +85°C, V _{CC} = +3.3V | -1.6 | +0.3 | +1.6 | |
| | | -20°C ≤ T _A ≤ +100°C, V _{CC} = +3.3V | -2.3 | +0.5 | +2.3 | |
| | | -40°C ≤ T _A ≤ +125°C, V _{CC} = +3.3V | -3.2 | +0.8 | +3.2 | |
| | | T _A ≥ -55°C, V _{CC} = +3.3V | -1.0 | +1.5 | +3.5 | |
| | | T _A = +150°C, V _{CC} = +3.3V | -5.0 | +1.5 | +6.5 | |
| Power-Supply Sensitivity | PSS | | | 0.2 | 0.6 | °C/V |
| Resolution | | | 0.0625 | | | °C |
| Time Between Conversion Starts | t _{SAMPLE} | MAX6629, MAX6630, \overline{CS} high | 0.37 | 0.5 | 0.65 | s |
| | | MAX6631, MAX6632, \overline{CS} high | 5.9 | 8 | 10.5 | |
| Conversion Time | t _{CONV} | | 180 | 250 | 320 | ms |
| POWER SUPPLY | | | | | | |
| Supply Voltage Range | V _{CC} | | 3.0 | | 5.5 | V |
| Supply Current, SCK Idle | I _{SD} | Shutdown (Note 3), V _{CC} = +0.8V | | | 5 | µA |
| | I _{IDLE} | ADC idle (Figure 2), \overline{CS} = low | | 6 | 20 | |
| | I _{CONV} | ADC converting (Figure 2) | | 360 | 650 | |
| Average Operating Current | I _{CC} | MAX6629, MAX6630 | | 200 | 400 | µA |
| | | MAX6631, MAX6632 | | 32 | 50 | |
| Power-On Reset (POR) Threshold | | V _{CC} falling | | 1.6 | | V |

Electrical Characteristics (continued)

($V_{CC} = +3.0V$ to $+5.5V$, $T_A = -55^{\circ}C$ to $+125^{\circ}C$, unless otherwise noted. Typical values are at $V_{CC} = +3.3V$ and $T_A = +25^{\circ}C$.) (Notes 2 and 3)

| PARAMETER | SYMBOL | CONDITIONS | MIN | TYP | MAX | UNITS |
|---|------------|-------------------------------|---------------------|---------|---------------------|---------|
| LOGIC INPUTS (\overline{CS}, SCK) | | | | | | |
| Logic Input Low Voltage | V_{IL} | | | | $0.3 \times V_{CC}$ | V |
| Logic Input High Voltage | V_{IH} | | $0.7 \times V_{CC}$ | | | V |
| Input Leakage Current | I_{LEAK} | $V_{IN} = V_{GND}$ or $+5.5V$ | | ± 1 | ± 5 | μA |
| LOGIC OUTPUTS (SO) | | | | | | |
| Output Low Voltage | V_{OL} | $I_{SINK} = 1.6mA$ | | | 0.4 | V |
| Output High Voltage | V_{OH} | $I_{SOURCE} = 1.6mA$ | $V_{CC} - 0.4$ | | | V |
| TIMING CHARACTERISTICS (Notes 4 and 5) | | | | | | |
| Serial Clock Frequency | f_{SCL} | | | | 5 | MHz |
| SCK Pulse Width High | t_{CH} | | 100 | | | ns |
| SCK Pulse Width Low | t_{CL} | | 100 | | | ns |
| \overline{CS} Fall to SCK Rise | t_{CSS} | $C_{LOAD} = 10pF$ | 80 | | | ns |
| \overline{CS} Fall to Output Enable | t_{DV} | $C_{LOAD} = 10pF$ | | | 80 | ns |
| \overline{CS} Rise to Output Disable | t_{TR} | $C_{LOAD} = 10pF$ | | | 50 | ns |
| SCK Fall to Output Data Valid | t_{DO} | $C_{LOAD} = 10pF$ | | | 80 | ns |

Note 2: Tested at a single temperature. Specifications over temperature are guaranteed by design.

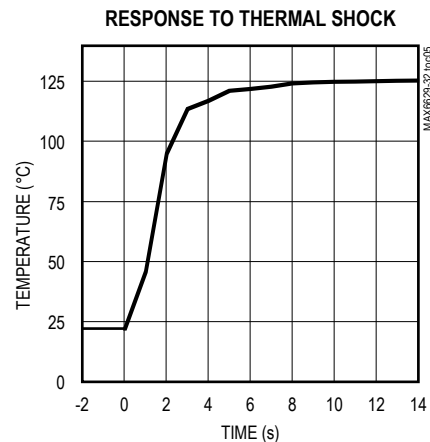
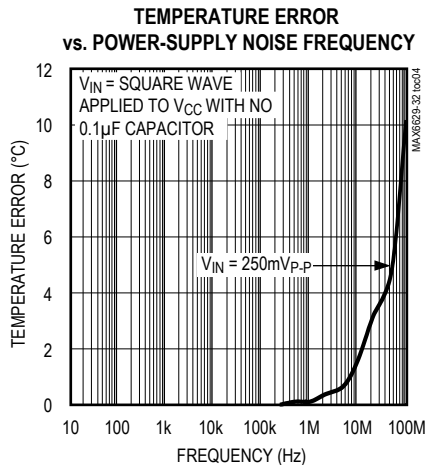
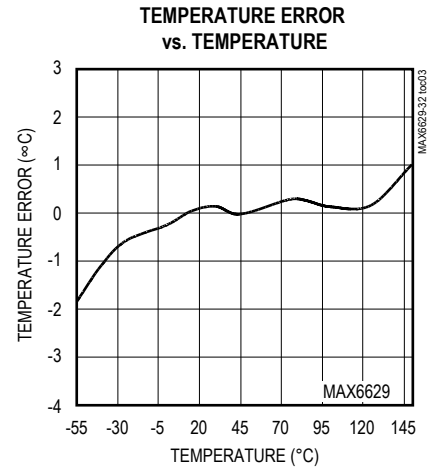
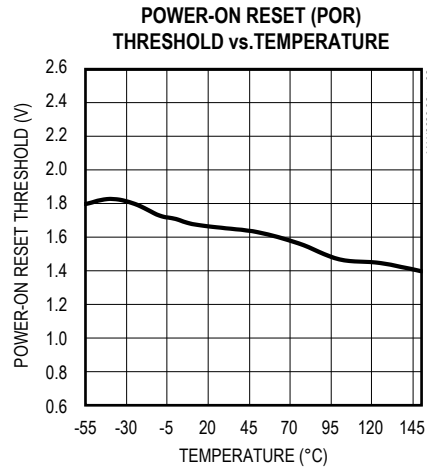
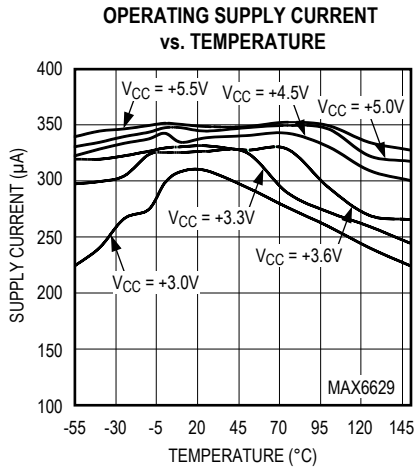
Note 3: The MAX6629–MAX6632 are not specifically equipped with a shutdown function. Their low supply current permits powering them from the output of a logic gate. This specification is given to ensure that the MAX6629–MAX6632 do not draw excessive currents at low supply voltages, ensuring reliable operation from a gate output.

Note 4: Timing characteristics are guaranteed by design and are not production tested.

Note 5: C_{LOAD} = total capacitance of one bus line in picofarads.

Typical Operating Characteristics

(V_{CC} = +3.3V, T_A = +25°C, unless otherwise noted.)



Pin Description

| PIN | | NAME | FUNCTION |
|--------------------|--------------------|-----------------|--|
| MAX6629 MAX6631 | MAX6630 MAX6632 | | |
| 1 | 2 | N.C. | No Connect. Connect to ground plane for better thermal performance to the PC board. |
| 2 | 1 | GND | Ground |
| 3 | 3 | V _{CC} | Supply Voltage Input. Bypass V _{CC} to GND with a 0.1µF capacitor. V _{CC} can also be powered from a logic output as long as the voltage level is greater than 3.0V and the logic output is not noisy. Setting the logic output low provides a hardware shutdown mode. |
| 4 | 4 | SCK | Serial Clock Input |
| 5 | 5 | \overline{CS} | Chip-Select Input. Enables the interface. A rising edge off \overline{CS} initiates the next conversion. Pulling \overline{CS} low initiates an idle state. |
| 6 | 6 | SO | Serial Data Output |
| — | — | EP | Exposed Pad (TDFN only). Connect to GND or leave unconnected. |

Detailed Description

The MAX6629–MAX6632 are local digital temperature sensors with a serial bus. The MAX6629–MAX6632 are typically interfaced to a μC in temperature sensing and control applications. The MAX6629–MAX6632 convert temperature to a 12-bit + sign word with a 0.0625°C LSB. The data is communicated through a simple serial interface with a $\overline{\text{CS}}$ (chip select) line, SO (data) line, and SCK (clock) line. This interface can be directly connected to, and is fully compatible with, SPI interfaces. This interface can also be connected to virtually any processor, which has at least three general-purpose input/output (GPIO) lines available to implement software “bit banging.”

The high resolution of the MAX6629–MAX6632 makes them especially useful in thermal control loops, HVAC systems, or in any system where quick anticipation of temperature trends is useful. The MAX6629–MAX6632 can produce temperature data in excess of $+150^\circ\text{C}$, although they are specified for a maximum operating temperature of $+150^\circ\text{C}$. The low power consumption is also ideal in battery-operated and portable applications.

The MAX6631/MAX6632 are optimized for minimum power consumption with their 8s conversions. The MAX6629/MAX6630 provide faster conversions, 0.5s, at the expense of power consumption. The low quiescent supply current enables the device to be powered from a logic line or the output of a gate where the high level exceeds 3V, as shown in Figure 1. While the MAX6629–MAX6632 are not specifically equipped with a software shutdown mode, the hardware shutdown can easily be implemented by setting the gate output to low. Pulling $\overline{\text{CS}}$ low without a clock also puts the device in idle mode. Take care to ensure that the logic output is not noisy, as excessive noise on V_{CC} can affect temperature measurement accuracy.

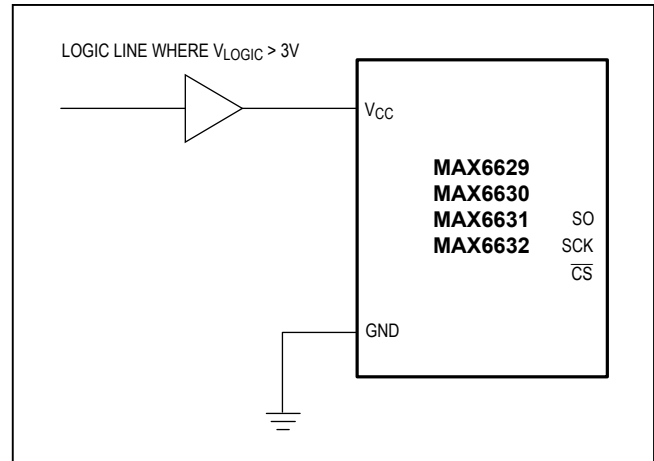


Figure 1. Powering the Sensor from a Logic Gate

ADC Conversion Sequence

The MAX6629–MAX6632 continuously convert temperature to digital data. Setting $\overline{\text{CS}}$ low stops any conversion in progress, places the device in idle mode, and makes data available for reading. Setting $\overline{\text{CS}}$ high starts a new conversion. $\overline{\text{CS}}$ must remain high for at least 0.3s to allow for the conversion to be completed. Figure 2 shows the timing relationship between conversion time and conversion rate.

SPI Digital Interface

The MAX6629–MAX6632 are compatible with SPI serial-interface standards (Figure 3) and are designed to be read-only devices. $\overline{\text{CS}}$'s rising edge always starts a new conversion and resets the interface. $\overline{\text{CS}}$ must stay high for a minimum of 300ms to allow the conversion to finish. $\overline{\text{CS}}$'s falling edge stops any conversion in progress, and data is latched into the shift register. Then the data clocks

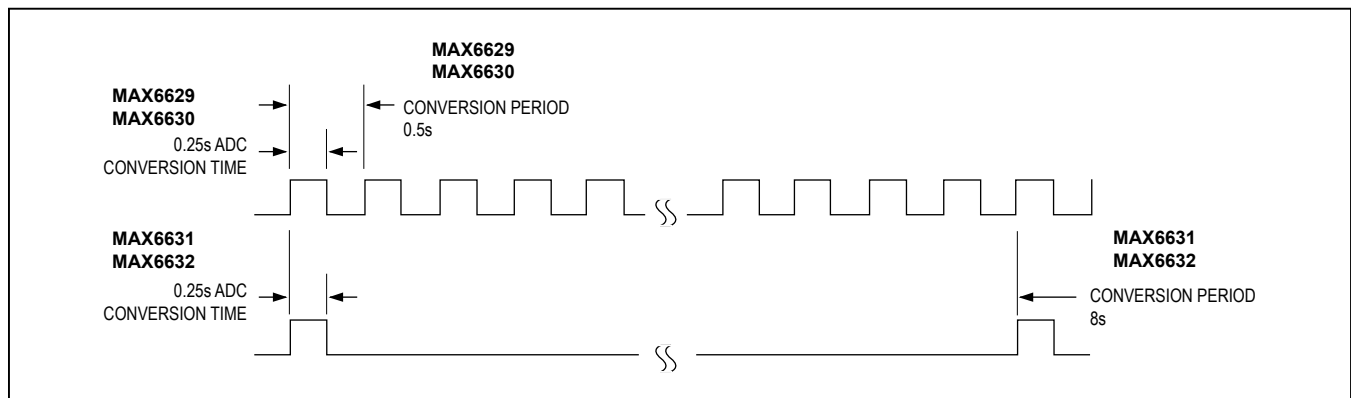


Figure 2. Conversion Time and Rate Relationships

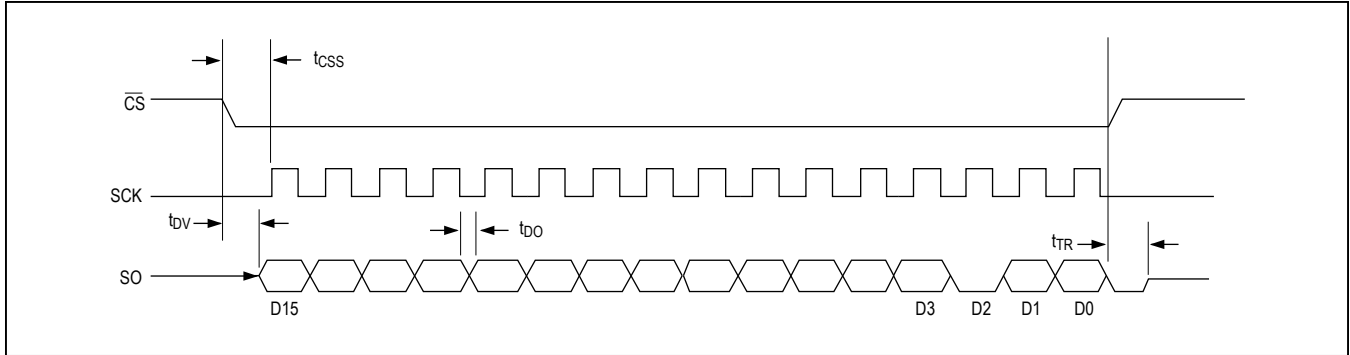


Figure 3. SPI Timing Diagram

Table 1. Data Output Format

| D15 | D14 | D13 | D12 | D11 | D10 | D9 | D8 | D7 | D6 | D5 | D4 | D3 | D2 | D1 | D0 |
|------|----------|-----|-----|-----|-----|----|----|----|----|----|----|----------|-----|--------|--------|
| Sign | MSB Data | | | | | | | | | | | LSB Data | Low | High-Z | High-Z |

Table 2. Temperature Data Format (Two’s Complement)

| TEMPERATURE (°C) | DIGITAL OUTPUT (BINARY) | | |
|------------------|-------------------------|----|--------|
| | D15–D3 | D2 | D1, D0 |
| 150 | 0,1001,0110,0000 | 0 | XX |
| 125 | 0,0111,1101,0000 | 0 | XX |
| 25 | 0,0001,1001,0000 | 0 | XX |
| 0.0625 | 0,0000,0000,0001 | 0 | XX |
| 0 | 0,0000,0000,0000 | 0 | XX |
| -0.0625 | 1,1111,1111,1111 | 0 | XX |
| -25 | 1,1110,0111,0000 | 0 | XX |
| -55 | 1,1100,1001,0000 | 0 | XX |

out at SO on SCK’s falling edge with the sign bit (D15) first, followed by the MSB. Data is sent in one 16-bit word, and CS must remain low until all 16 bits are transferred. If CS goes high in the middle of a transmission, it is necessary to wait the conversion time (less than 300ms) before attempting a new read. The serial data is composed of 12 + 1 data bits (D15–D3) and 3 trailing bits (D2–D0). D2 is always low, serving as the confirmation bit that the device has been communicated with. The last 2 bits, D0 and D1, are undefined and are always in high-impedance mode (Table 1). The power-up state for SO is high impedance.

Figure 3 shows the detailed serial timing specifications for the SPI port. The temperature data format is in two’s complement format (Table 2).

Power Shutdown Mode

The MAX6629–MAX6632 do not have a built-in power software shutdown mode. However, a power shutdown mode is easily implemented utilizing an unused logic gate. A typical CMOS or TTL logic output has enough drive capability to serve as the power source if its output voltage level exceeds 3V, as shown in Figure 1. Drive the logic output low to provide a hardware shutdown mode.

Idle Mode

The MAX6629–MAX6632 can be put into idle mode by pulling CS low. Data can be clocked out when the device is in idle mode.

Power-On Reset (POR)

The POR supply voltage of the MAX6629–MAX6632 is typically 1.6V. Below this supply voltage, the interface is inactive and the data register is set to the POR state, 0°C.

When power is first applied and VCC rises above 1.6V (typ), the device starts to convert, although temperature reading is not recommended at VCC levels below 3.0V.

Applications Information

Thermal Considerations

The key to accurate temperature monitoring is good thermal contact between the MAX6629–MAX6632 package and the object being monitored. In some applications, the 6-pin SOT23 package is small enough to fit underneath a socketed μP , allowing the device to monitor the μP 's temperature directly. Accurate temperature monitoring depends on the thermal resistance between the object being monitored and the MAX6629–MAX6632 die. Heat flows in and out of plastic packages primarily through the leads. If the sensor is intended to measure the temperature of a heat-generating component on the circuit board, it should be mounted as close as possible to that component and should share supply and ground traces (if they are not noisy) with that component where possible. This maximizes the heat transfer from the component to the sensor.

The MAX6629/MAX6630 supply current is typically $200\mu\text{A}$, and the MAX6631/MAX6632 supply current is typically $32\mu\text{A}$. When used to drive high-impedance loads, the device dissipates negligible power. Therefore, the die temperature is essentially the same as the package temperature.

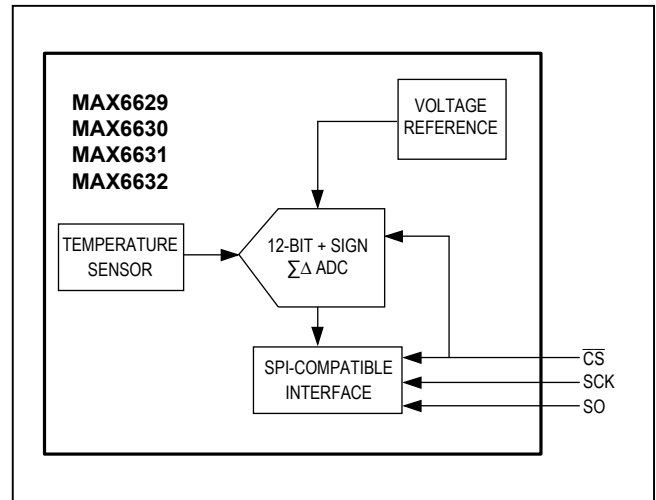
The rise in die temperature due to self-heating is given by the following formula:

$$\Delta T_J = P_{\text{DISSIPATION}} \times \theta_{JA}$$

where $P_{\text{DISSIPATION}}$ is the power dissipated by the MAX6629–MAX6632, and θ_{JA} is the package's thermal resistance.

The typical thermal resistance is $+110^\circ\text{C}/\text{W}$ for the 6-pin SOT23 package. To limit the effects of self-heating, minimize the output currents. For example, if the MAX6629–MAX6632 sink 1mA , the output voltage is guaranteed to be less than 0.4V . Therefore, an additional 0.4mW of power is dissipated within the IC. This corresponds to a 0.044°C shift in the die temperature in the 6-pin SOT23.

Functional Diagram



Chip Information

PROCESS: BiCMOS

Package Information

For the latest package outline information and land patterns (footprints), go to www.maximintegrated.com/packages. Note that a "+", "#", or "-" in the package code indicates RoHS status only. Package drawings may show a different suffix character, but the drawing pertains to the package regardless of RoHS status.

| PACKAGE TYPE | PACKAGE CODE | DOCUMENT NO. | LAND PATTERN NO. |
|--------------|--------------|-------------------------|-------------------------|
| 6 SOT23 | U6FH-6 | 21-0058 | 90-0175 |
| 6 TDFN-EP | T633+2 | 21-0137 | 90-0058 |

Revision History

| REVISION NUMBER | REVISION DATE | DESCRIPTION | PAGES CHANGED |
|-----------------|---------------|---|---------------|
| 0 | 5/01 | Initial release of MAX6629 | — |
| 1 | 7/01 | Initial release of MAX3360, MAX3361, and MAX3362; changed I _{CONV} from 600μA (max) to 650μA (max) in the <i>Electrical Characteristics</i> table | 1, 2 |
| 2 | 4/04 | Changed the lead temperature in the <i>Absolute Maximum Ratings</i> section, replacing Note 2 with +300°C (removed the JEDEC solder reflow boiler plating due to high temp solder paste for flip chips now in production) | 2 |
| 3 | 8/05 | Added the TDFN package | 1, 2, 9 |
| 4 | 5/10 | Added “+” to TDFN packages in the <i>Ordering Information</i> table | 1 |
| | | Added soldering information to the <i>Absolute Maximum Ratings</i> section | 2 |
| | | Added the TDFN exposed pad information to the <i>Pin Description</i> table | 4 |
| 5 | 10/14 | Removed automotive reference from data sheet | 1, 5 |
| 6 | 11/16 | Removed MAX6631MUT from <i>Ordering Information</i> table, changed non lead-free parts to lead-free parts | 1 |

For pricing, delivery, and ordering information, please contact Maxim Direct at 1-888-629-4642, or visit Maxim Integrated's website at www.maximintegrated.com.

Maxim Integrated cannot assume responsibility for use of any circuitry other than circuitry entirely embodied in a Maxim Integrated product. No circuit patent licenses are implied. Maxim Integrated reserves the right to change the circuitry and specifications without notice at any time. The parametric values (min and max limits) shown in the *Electrical Characteristics* table are guaranteed. Other parametric values quoted in this data sheet are provided for guidance.

X-ON Electronics

Largest Supplier of Electrical and Electronic Components

Click to view similar products for [Board Mount Temperature Sensors](#) category:

Click to view products by [Maxim](#) manufacturer:

Other Similar products are found below :

[5962-8757102XA](#) [66F115](#) [EMC1063-1-ACZL-TR](#) [NCT218FCT2G](#) [O53GAB175A-160Y](#) [3610085020002](#) [389049M9527](#) [MIKROE-912](#)
[ADM1023ARQZ-REEL](#) [ADM1032ARMZ-1RL](#) [AT30TS74-U1FMBB-T](#) [AT30TS74-U1FMAB-T](#) [AT30TS74-U1FMCB-T](#) [AT30TS74-](#)
[U1FMDB-T](#) [ADT7483AARQZ-RL](#) [ADT7481ARMZ-REEL](#) [ADT7463ARQZ-REEL](#) [MCP98243T-BE/MC](#) [66L080-0226](#) [5962-8757103XA](#)
[S-58LM20A-I4T1U](#) [NCT375MNR2G](#) [LM84CIMQA](#) [CAT34TS00VP2GT4A](#) [NCT80DBR2G](#) [SEN-16304](#) [GX21M15](#) [GX122](#) [NST175H-](#)
[QSPR](#) [TC6501P065VCTTR](#) [AT-1U](#) [MCP9700AT-E/LT](#) [MCP9701-E/TO](#) [MCP9803-M/MS](#) [MCP9701A-E/TO](#) [LM57FEPWQ1](#) [LM57FPW](#)
[LM57FSPWQ1](#) [60-41123102-0150.0010](#) [60-43123102-0150.0010](#) [60-53123102-0150.0010](#) [MLX90615SSG-DAA-000-TU](#) [TMP303CDRLR](#)
[TC6501P055VCTTR](#) [TC6503P005VCTTR](#) [ADT7311WTRZ-RL](#) [ADT7311WTRZ-RL7](#) [ADT7473ARQZ-REEL](#) [LM335AM](#)
[LM335AM/NOPB](#)