



MAX8627 Evaluation Kit

Evaluates: MAX8627

General Description

The MAX8627 evaluation kit (EV kit) is a fully assembled and tested circuit for evaluating the MAX8627 step-up converter. The MAX8627 EV kit operates from a 1.8V to 5.5V supply, and provides up to 1A output current from its 5V output. The output voltage can be adjusted from 3V to 5V by changing a resistor on the board.

Component List

DESIGNATION	QTY	DESCRIPTION
C1–C4	4	22 μ F \pm 20%, 6.3V X5R ceramic capacitors (1206) TDK C3216X5R0J226M
JU1	1	3-pin header
L1	1	1 μ H inductor TOKO A918CY-1R0M (D62LCB)
R1	1	2M Ω \pm 1% resistor (0402)
R2	1	499k Ω \pm 1% resistor (0402)
R3	0	Not installed, (0402) PCB short resistor
R4	0	Not installed, (0402) resistor
U1	1	MAX8627ETD (14-pin TDFN, 3mm x 3mm)
—	1	Shunt, 2 position
—	1	MAX8627 EV kit PCB

Quick Start

Recommended Equipment

- 1.8V to 5.5V power supply capable of delivering 3A
- Voltmeter
- Load (up to 1A)

Procedure

Follow the steps below to verify board operation.

- 1) Place the shunt across pins 2-3 of JU1 on the EV kit to enable the converter.
- 2) Set the power-supply voltage between 1.8V and 5.5V. Turn off the power supply. **Do not turn on the power supply until all connections are completed.**
- 3) Connect the positive power-supply lead to the EV kit pad labeled BATT. Connect the power-supply ground to the EV kit pad labeled GND (located next to BATT).
- 4) Connect the load between the EV kit pads labeled OUT and GND.
- 5) Turn on the power supply.
- 6) Connect the voltmeter across the EV kit pads labeled OUT and GND to verify that the output voltage is 5V.

Features

- ◆ 1MHz PWM Switching Frequency
- ◆ True Shutdown™ Output
- ◆ Up to 95% Efficiency
- ◆ 1.0A Guaranteed Output Current at $V_{IN} \geq 3V$
- ◆ Fast Soft-Start Eliminates Inrush Current
- ◆ 20 μ A (typ) Quiescent Current
- ◆ 0.1 μ A Logic-Controlled Shutdown
- ◆ Tiny 14-Pin, 3mm x 3mm TDFN IC Package
- ◆ Fully Assembled and Tested

Ordering Information

PART	TEMP RANGE	IC PACKAGE
MAX8627EVKIT	0°C to +70°C	14 TDFN (3mm x 3mm)

True Shutdown is a trademark of Maxim Integrated Products, Inc.



Maxim Integrated Products 1

For pricing, delivery, and ordering information, please contact Maxim/Dallas Direct! at 1-888-629-4642, or visit Maxim's website at www.maxim-ic.com.

MAX8627 Evaluation Kit

Table 1. JU1 Functions

SHUNT POSITION	FUNCTION
1-2	Shutdown
2-3	Enable
Open	Enable function is driven externally by a logic signal connected to the ON pad of the EV kit.

Detailed Description

Adjusting the Output Voltage

The default output voltage of the MAX8627 EV kit is 5V, but it can be adjusted between 3V and 5V by changing

resistor R1. Find the value of R1 from the following equation:

$$R1 = R2 \times \left(\frac{V_{OUT}}{V_{FB}} - 1 \right)$$

where the lower feedback resistor, R2, is 499kΩ, and V_{FB} is 1.01V.

Adjusting the Current Limit

The MAX8627 EV kit's current limit is set to the default of 3.5A. To set the current limit lower, cut the PCB trace shorting R3, and then install resistors R3 and R4. Refer to the MAX8627 data sheet for information on calculating these resistor values.

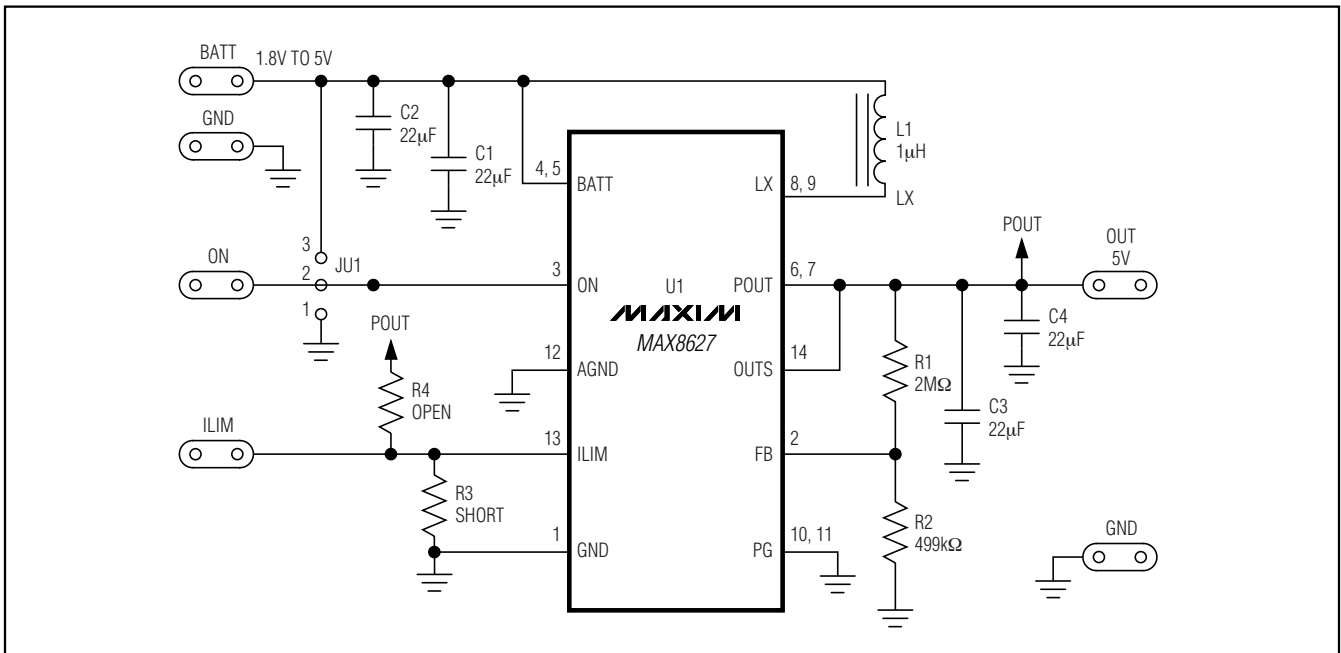


Figure 1. MAX8627 EV Kit Schematic

MAX8627 Evaluation Kit

Evaluates: MAX8627

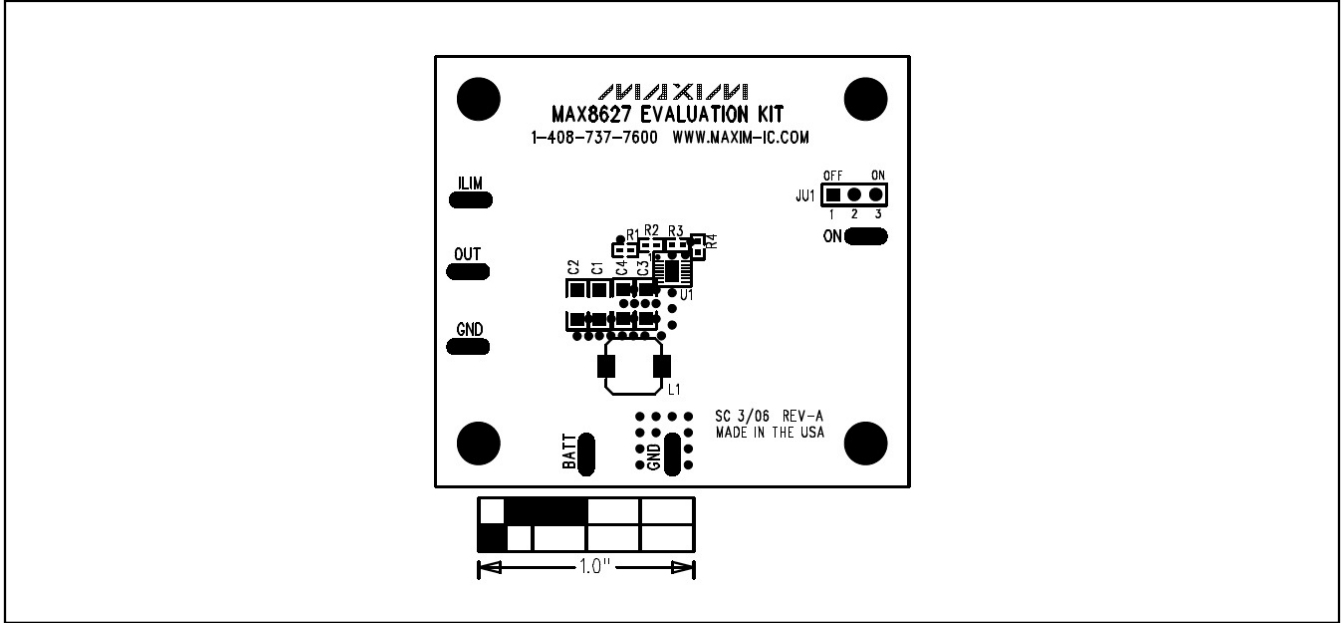


Figure 2. MAX8627 EV Kit Component Placement Guide—Component Side

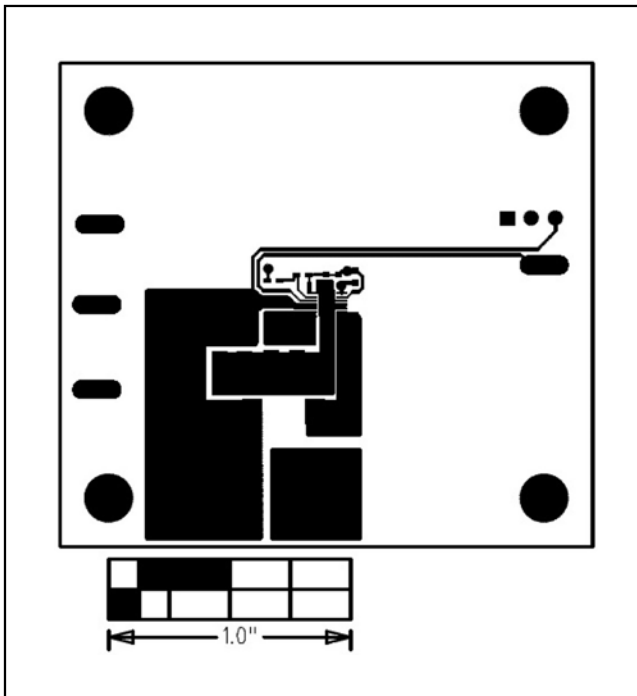


Figure 3. MAX8627 EV Kit PCB Layout—Component Side

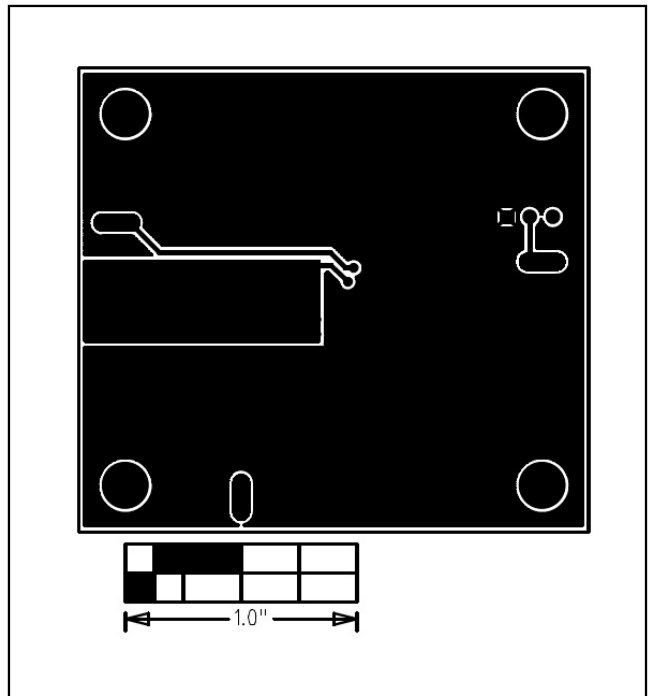


Figure 4. MAX8627 EV Kit PCB Layout—Solder Side

Maxim cannot assume responsibility for use of any circuitry other than circuitry entirely embodied in a Maxim product. No circuit patent licenses are implied. Maxim reserves the right to change the circuitry and specifications without notice at any time.

Maxim Integrated Products, 120 San Gabriel Drive, Sunnyvale, CA 94086 408-737-7600 _____ 3

X-ON Electronics

Largest Supplier of Electrical and Electronic Components

Click to view similar products for [Power Management IC Development Tools](#) category:

Click to view products by [Maxim](#) manufacturer:

Other Similar products are found below :

[EVB-EP5348UI](#) [MIC23451-AAAYFL EV](#) [MIC5281YMME EV](#) [124352-HMC860LP3E](#) [DA9063-EVAL](#) [ADP122-3.3-EVALZ](#) [ADP130-0.8-EVALZ](#) [ADP130-1.8-EVALZ](#) [ADP1740-1.5-EVALZ](#) [ADP1870-0.3-EVALZ](#) [ADP1874-0.3-EVALZ](#) [ADP199CB-EVALZ](#) [ADP2102-1.25-EVALZ](#) [ADP2102-1.875EVALZ](#) [ADP2102-1.8-EVALZ](#) [ADP2102-2-EVALZ](#) [ADP2102-3-EVALZ](#) [ADP2102-4-EVALZ](#) [AS3606-DB](#) [BQ25010EVM](#) [BQ3055EVM](#) [ISLUSBI2CKIT1Z](#) [LP38512TS-1.8EV](#) [EVAL-ADM1186-1MBZ](#) [EVAL-ADM1186-2MBZ](#) [ADP122UJZ-REDYKIT](#) [ADP166Z-REDYKIT](#) [ADP170-1.8-EVALZ](#) [ADP171-EVALZ](#) [ADP1853-EVALZ](#) [ADP1873-0.3-EVALZ](#) [ADP198CP-EVALZ](#) [ADP2102-1.0-EVALZ](#) [ADP2102-1-EVALZ](#) [ADP2107-1.8-EVALZ](#) [ADP5020CP-EVALZ](#) [CC-ACC-DBMX-51](#) [ATPL230A-EK](#) [MIC23250-S4YMT EV](#) [MIC26603YJL EV](#) [MIC33050-SYHL EV](#) [TPS60100EVM-131](#) [TPS65010EVM-230](#) [TPS71933-28EVM-213](#) [TPS72728YFFEVM-407](#) [TPS79318YEQEVM](#) [UCC28810EVM-002](#) [XILINXPWR-083](#) [LMR22007YMINI-EVM](#) [LP38501ATJ-EV](#)