

MAXQ615

16-Bit MAXQ Microcontroller with Hardware Multiplier

General Description

The MAXQ615 is a low-power, 16-bit MAXQ® microcontroller designed for low-power applications. The device combines a powerful 16-bit RISC microcontroller and integrated peripherals including multiple high-speed serial communication interfaces and flexible port I/O. High-speed communication interfaces include dual SPI and I²C. The device also provides three instances of the 16-bit timer B peripheral. A 16 x 16 hardware multiply/accumulate with 48-bit accumulator provides support for computationally intensive applications. The device provides 48KB of flash memory and 2KB of data SRAM. For the ultimate in low-power performance, the device includes an ultra-low-power stop mode (0.2µA typ). In this mode, the minimum amount of circuitry is powered. Wake-up sources include external interrupts, the power-fail interrupt, and a timer interrupt. The microcontroller runs from a single 2.4V to 3.6V power-supply operating voltage.

Applications

Portable Computing
Battery-Powered Portable Equipment
Consumer Electronics
Home Appliances
White Goods

Features

- ◆ **Core Functionality**
 - ◇ High-Performance, Low-Power 16-Bit MAXQ20S RISC Core
 - ◇ DC to 20MHz Operation Across Entire Operating Range
 - ◇ 2.4V to 3.6V Operating Voltage
 - ◇ Three Independent Data Pointers Accelerate Data Movement with Automatic Inc/Dec
 - ◇ Dedicated Pointer for Direct Read from Code Space
 - ◇ 16-Bit Instruction Word, 16-Bit Data Bus
 - ◇ 16 x 16-Bit General-Purpose Working Registers
 - ◇ Optimized for C Compiler
- ◆ **Memory**
 - ◇ 48KB Flash Memory
 - 1KB Page Sectors
 - 20,000 Erase/Write Cycles per Sector
 - ◇ 2KB Data SRAM
 - ◇ Masked ROM Available
- ◆ **I/O and Peripherals**
 - ◇ Power-Fail Warning
 - ◇ Power-On Reset/Brownout Reset
 - ◇ Three 16-Bit Programmable Timers/Counters with Prescaler
 - ◇ Programmable Watchdog Timer
 - ◇ Internal 20MHz Clock ±5%
 - ◇ Dual SPI Ports with 16-Byte FIFO
 - ◇ I²C Communication Port
 - ◇ Up to 12 General-Purpose I/O Pins
- ◆ **Low Power Consumption**
 - ◇ 0.2µA (typ) in Stop Mode
 - ◇ 2.6mA (typ) at 20MHz
 - ◇ Divided System Clock Modes Available

Ordering Information appears at end of data sheet.

For related parts and recommended products to use with this part, refer to www.maximintegrated.com/MAXQ615.related.

MAXQ is a registered trademark of Maxim Integrated Products, Inc.

Note: Some revisions of this device may incorporate deviations from published specifications known as errata. Multiple revisions of any device may be simultaneously available through various sales channels. For information about device errata, go to: www.maximintegrated.com/errata.

For pricing, delivery, and ordering information, please contact Maxim Direct at 1-888-629-4642, or visit Maxim Integrated's website at www.maximintegrated.com.

MAXQ615

16-Bit MAXQ Microcontroller with Hardware Multiplier

ABSOLUTE MAXIMUM RATINGS

(All voltages relative to GND.)

Voltage Range on V_{DD}	-0.3V to +3.6V
Voltage Range on Any Lead	-0.3V to ($V_{DD} + 0.5V$)
Continuous Output Current	
Any Single I/O Pin.....	32mA
All I/O Pins Combined.....	32mA

Continuous Power Dissipation ($T_A = +70^\circ\text{C}$)

TQFN (derate 16.9mW/ $^\circ\text{C}$ above $+70^\circ\text{C}$).....	1349mW
Operating Temperature Range	-40°C to $+85^\circ\text{C}$
Storage Temperature Range	-65°C to $+150^\circ\text{C}$
Lead Temperature (soldering, 10s).....	$+300^\circ\text{C}$
Soldering Temperature (reflow).....	$+260^\circ\text{C}$

Stresses beyond those listed under "Absolute Maximum Ratings" may cause permanent damage to the device. These are stress ratings only, and functional operation of the device at these or any other conditions beyond those indicated in the operational sections of the specifications is not implied. Exposure to absolute maximum rating conditions for extended periods may affect device reliability.

RECOMMENDED DC OPERATING CONDITIONS

($V_{DD} = V_{RST}$ to $V_{DD(MAX)}$, $T_A = -40^\circ\text{C}$ to $+85^\circ\text{C}$, unless otherwise noted. Typical values are measured at $T_A = +25^\circ\text{C}$. AC electrical specifications and all specifications to $T_A = -40^\circ\text{C}$ are guaranteed by design and are not production tested.)

PARAMETER	SYMBOL	CONDITIONS	MIN	TYP	MAX	UNITS
Supply Voltage	V_{DD}		V_{RST}		3.6	V
1.8V Internal Regulator	V_{REG18}		1.62	1.7	1.98	V
Power-Fail Warning Voltage	V_{PFW}	Monitors V_{DD} (Notes 1, 2)	2.45	2.6	2.75	V
Power-Fail Reset Voltage	V_{RST}	Monitors V_{DD} (Note 3)	2.35	2.4	2.45	V
Power-On Reset Voltage	V_{POR}	Monitors V_{DD}	1.0		1.45	V
Supply Current	I_{DD1}	$f_{CK} = 20\text{MHz}$ (Note 4)		2.6	4.5	mA
Idle Current	I_{IDLE}	(Note 5)	1.0	750	850	μA
Stop Mode Current	I_{STOP1} PF Off	$T_A = +25^\circ\text{C}$		0.3	3.0	μA
		$T_A = 0^\circ\text{C}$ to $+70^\circ\text{C}$		1	12	
		$T_A = -40^\circ\text{C}$ to $+85^\circ\text{C}$		2	16	
	I_{STOP2} PF On	$T_A = +25^\circ\text{C}$		22.0	35.0	
		$T_A = 0^\circ\text{C}$ to $+70^\circ\text{C}$		22.0	42.0	
		$T_A = -40^\circ\text{C}$ to $+85^\circ\text{C}$		22.0	45	
Stop Mode Resume Time	t_{ON}		300		μs	
Power-Fail Monitor Startup Time	t_{PFM_ON}	(Note 6)			150	μs
Power-Fail Warning Detection Time	t_{PFW}		10			μs

CLOCK SOURCE

Internal Ring Oscillator Frequency	f_{CLK}	$\pm 5\%$		20		MHz
Ring Oscillator Duty Cycle	t_{CLK_DUTY}		45		55	%
System Clock Frequency	f_{CK}			f_{CK}		MHz
System Clock Period	f_{CK}			$1/f_{CK}$		ns

DIGITAL I/O

Input Hysteresis	V_{IHYS}	$V_{DD} = 3.3V$, $T_A = +25^\circ\text{C}$		300		mV
Input Low Voltage	V_{IL}		V_{GND}		$0.3 \times V_{DD}$	V
Input High Voltage	V_{IH}		$0.7 \times V_{DD}$		V_{DD}	V

MAXQ615

16-Bit MAXQ Microcontroller with Hardware Multiplier

RECOMMENDED DC OPERATING CONDITIONS (continued)

($V_{DD} = V_{RST}$ to $V_{DD(MAX)}$, $T_A = -40^{\circ}\text{C}$ to $+85^{\circ}\text{C}$, unless otherwise noted. Typical values are measured at $T_A = +25^{\circ}\text{C}$. AC electrical specifications and all specifications to $T_A = -40^{\circ}\text{C}$ are guaranteed by design and are not production tested.)

PARAMETER	SYMBOL	CONDITIONS	MIN	TYP	MAX	UNITS
Output Low Voltage (Note 7)	V_{OL}	$V_{DD} = 3.6\text{V}$, $I_{OL} = 11\text{mA}$		0.4	0.5	V
		$V_{DD} = 2.4\text{V}$, $I_{OL} = 8\text{mA}$		0.4	0.5	V
Output High Voltage	V_{OH}	$I_{OH} = -2\text{mA}$ (Note 7)	$V_{DD} - 0.5$		V_{DD}	V
Input Leakage Current	I_L	Internal pullup disabled	-100		+100	nA
Input Capacitance	C_{IO}				15	pF
Input Pullup Resistance	R_{PU}	$V_{DD} = 3.0\text{V}$, $V_{OL} = 0.4\text{V}$	16	28	39	k Ω
FLASH MEMORY						
System Clock During Flash Programming			2			MHz
Flash Erase Time	t_{ME}	Mass erase	20		40	ms
	t_{ERASE}	Page erase	20		40	
Flash Programming Time Per Word	t_{PMG}		20		100	μs
Write/Erase Cycles			20,000			Cycles
Data Retention		$T_A = +25^{\circ}\text{C}$	100			Years

SPI ELECTRICAL CHARACTERISTICS

($V_{DD} = 1.7\text{V}$ to 3.6V , $T_A = -40^{\circ}\text{C}$ to $+85^{\circ}\text{C}$, unless otherwise noted. AC electrical specifications are guaranteed by design and are not production tested.) (Figures 1, 2)

PARAMETER	SYMBOL	CONDITIONS	MIN	TYP	MAX	UNITS
SPI Master Operating Frequency	$1/t_{MCK}$				$f_{CK}/2$	MHz
SPI Slave Operating Frequency	$1/t_{SCK}$				$f_{CK}/4$	MHz
SPI I/O Rise/Fall Time	t_{SPI_RF}	$C_L = 15\text{pF}$, pullup = 560Ω	8.3		23.6	ns
SCLK Output Pulse-Width High/Low	t_{MCH} , t_{MCL}		$t_{MCK}/2 - t_{SPI_RF}$			ns
MOSI Output Hold Time After SCLK Sample Edge	t_{MOH}		$t_{MCK}/2 - t_{SPI_RF}$			ns
MOSI Output Valid to Sample Edge	t_{MOV}		$t_{MCK}/2 - t_{SPI_RF}$			ns
MISO Input Valid to SCLK Sample Edge Rise/Fall Setup	t_{MIS}		25			ns
MISO Input to SCLK Sample Edge Rise/Fall Hold	t_{MIH}		0			ns
SCLK Inactive to MOSI Inactive	t_{MLH}		$t_{MCK}/2 - t_{SPI_RF}$			ns

MAXQ615

16-Bit MAXQ Microcontroller with Hardware Multiplier

SPI ELECTRICAL CHARACTERISTICS (continued)

($V_{DD} = 1.7V$ to $3.6V$, $T_A = -40^{\circ}C$ to $+85^{\circ}C$, unless otherwise noted. AC electrical specifications are guaranteed by design and are not production tested.) (Figures 1, 2)

PARAMETER	SYMBOL	CONDITIONS	MIN	TYP	MAX	UNITS
SCLK Input Pulse-Width High/Low	t_{SCH} , t_{SCL}			$t_{SCK}/2$		ns
SSEL Active to First Shift Edge	t_{SSE}		t_{SPL_RF}			ns
MOSI Input to SCLK Sample Edge Rise/Fall Setup	t_{SIS}		t_{SPL_RF}			ns
MOSI Input from SCLK Sample Edge Transition Hold	t_{SIH}		t_{SPL_RF}			ns
MISO Output Valid After SCLK Shift Edge Transition	t_{SOV}			$2t_{SPL_RF}$		ns
SSEL Inactive	t_{SSH}		$t_{CK} + t_{SPL_RF}$			ns
SCLK Inactive to SSEL Rising	t_{SD}		t_{SPL_RF}			ns
MISO Output Disabled After SSEL Edge Rise	t_{SLH}			$2t_{CK} + 2t_{SPL_RF}$		ns

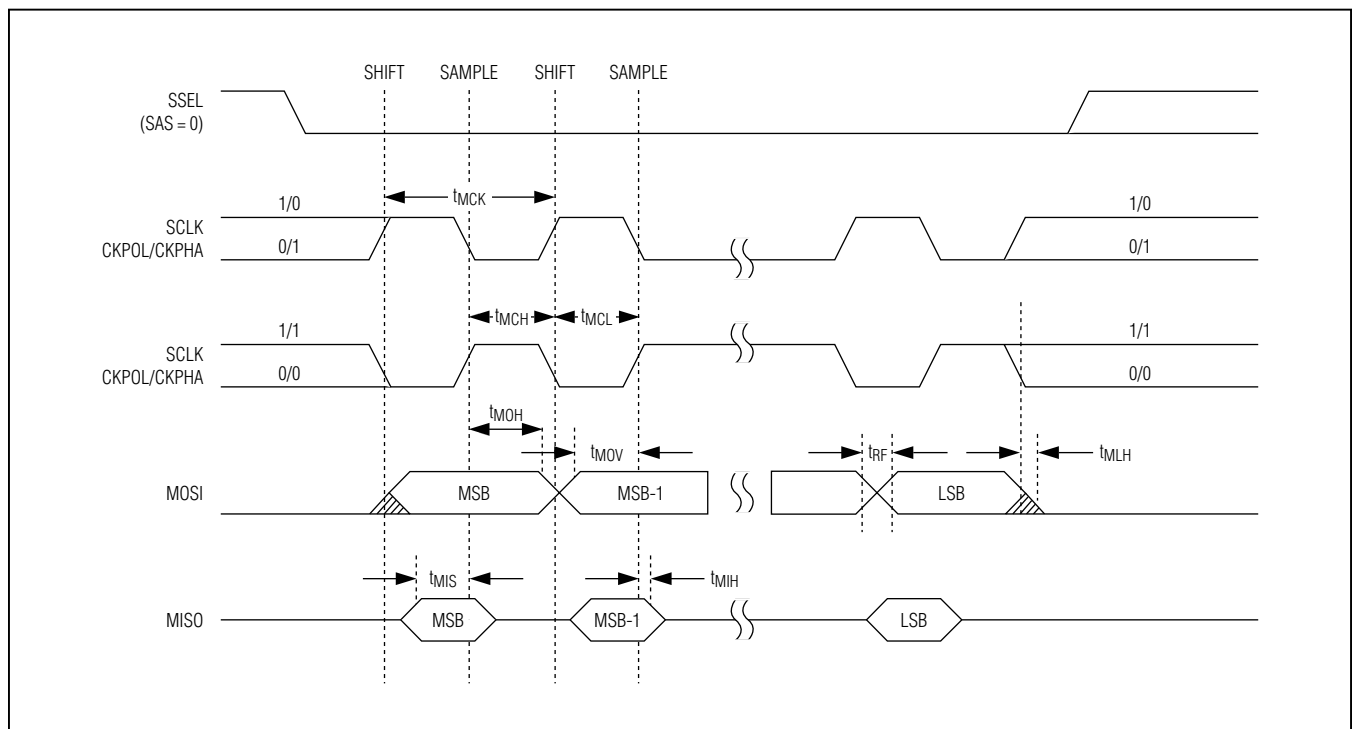


Figure 1. SPI Master Communications Timing

MAXQ615

16-Bit MAXQ Microcontroller with Hardware Multiplier

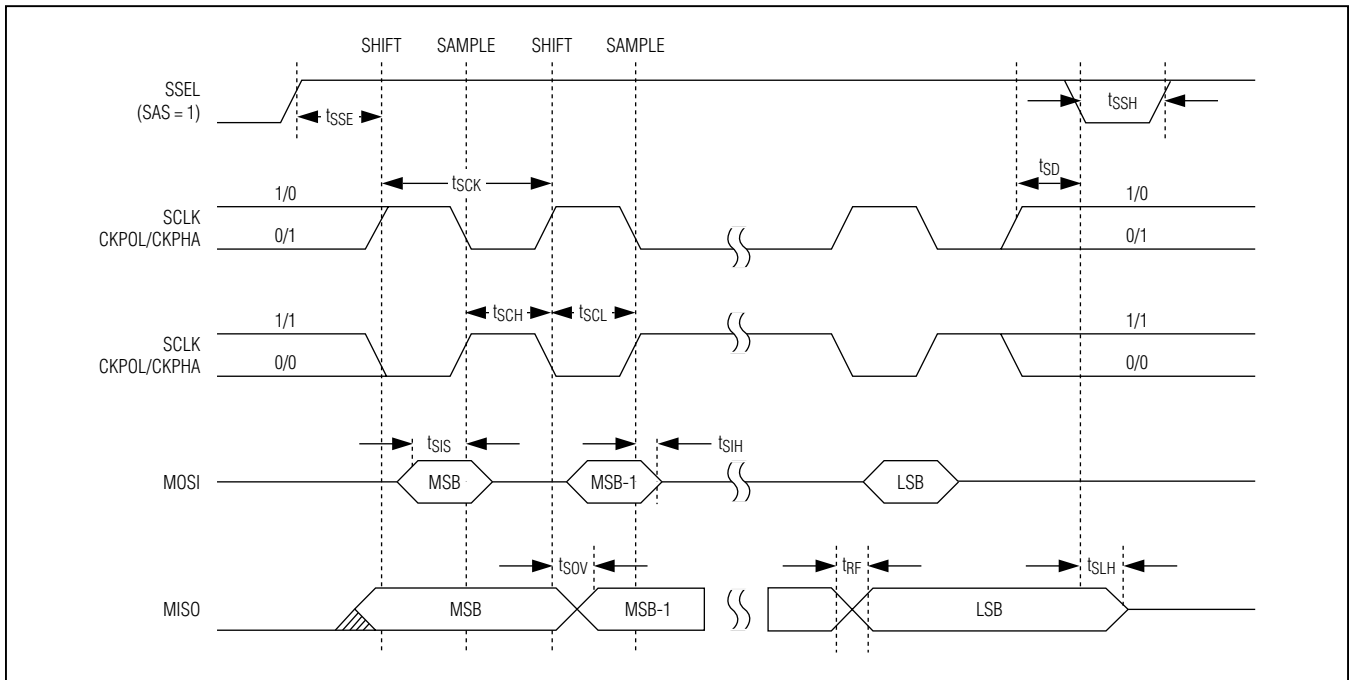


Figure 2. SPI Slave Communications Timing

I²C ELECTRICAL CHARACTERISTICS

($V_{DD} = V_{RST}$ to $V_{DD(MAX)}$, $T_A = -40^{\circ}C$ to $+85^{\circ}C$, unless otherwise noted. AC electrical specifications and all specifications to $T_A = -40^{\circ}C$ are guaranteed by design and are not production tested.) (Figure 3)

PARAMETER	SYMBOL	CONDITIONS	STANDARD MODE		FAST MODE		UNITS
			MIN	MAX	MIN	MAX	
Input Low Voltage	V_{IL_I2C}	Supply voltages that mismatch I ² C bus levels must relate input levels to the R_P pullup voltage	-0.5	$0.3 \times V_{DD}$	-0.5	$0.3 \times V_{DD}$	V
Input High Voltage	V_{IH_I2C}	Supply voltages that mismatch I ² C bus levels must relate input levels to the R_P pullup voltage	$0.7 \times V_{DD}$		$0.7 \times V_{DD}$	$V_{DD} + 0.5$	V
Output Logic-Low (Open Drain or Open Collector)	V_{OL_I2C}	$V_{DD} > 2V$, 3mA sink current	0	0.4	0	0.4	V
Output Fall Time from V_{IH_MIN} to V_{IL_MAX} with Bus Capacitance from 10pF to 400pF	t_{OF_I2C}	t_{R/F_I2C} exceeds t_{OF_I2C} , which permits R_S to be connected as shown in I ² C Bus Controller Timing table; $C_B = SDA$ or SCL capacitance in pF		250	$20 + 0.1C_B$	250	ns

MAXQ615

16-Bit MAXQ Microcontroller with Hardware Multiplier

I²C ELECTRICAL CHARACTERISTICS (continued)

($V_{DD} = V_{RST}$ to $V_{DD(MAX)}$, $T_A = -40^{\circ}\text{C}$ to $+85^{\circ}\text{C}$, unless otherwise noted. AC electrical specifications and all specifications to $T_A = -40^{\circ}\text{C}$ are guaranteed by design and are not production tested.) (Figure 3)

PARAMETER	SYMBOL	CONDITIONS	STANDARD MODE		FAST MODE		UNITS
			MIN	MAX	MIN	MAX	
Pulse Width of Spike Filtering That Must Be Suppressed by Input Filter	t_{SP_I2C}				0	50	ns
Input Current on I/O	I_{IN_I2C}	Input voltage from $0.1 \times V_{DD}$ to $0.9 \times V_{DD}$	-10	+10	-10	+10	μA
I/O Capacitance	C_{IO_I2C}			10		10	pF

I²C BUS CONTROLLER TIMING

(Figure 4)

PARAMETER	SYMBOL	STANDARD MODE		FAST MODE		UNITS
		MIN	MAX	MIN	MAX	
I ² C Bus Operating Frequency	f_{I2C}	0	100	0	400	kHz
System Frequency	f_{SYS}	0.90		3.60		MHz
I ² C Bit Rate	f_{I2C}		$f_{SYS}/8$		$f_{SYS}/8$	Hz
Hold Time After (Repeated) START	$t_{HD:STA}$	4.0		0.6		μs
Clock Low Period	t_{LOW_I2C}	4.7		1.3		μs
Clock High Period	t_{HIGH_I2C}	4.0		0.6		μs
Setup Time for Repeated START	$t_{SU:STA}$	4.7		0.6		μs
Hold Time for Data	$t_{HD:DAT}$	0	3.45	0	0.9	μs
Setup Time for Data	$t_{SU:DAT}$	250		100		ns
SDA/SCL Fall Time	t_{F_I2C}		300	$20 + 0.1C_B$	300	ns
SDA/SCL Rise Time	t_{R_I2C}		1000	$20 + 0.1C_B$	300	ns
Setup Time for STOP	$t_{SU:STO}$	4.0		0.6		μs
Bus Free Time Between STOP and START	t_{BUF}	4.7		1.3		μs
Capacitive Load for Each Bus Line	C_B		400		400	pF
Noise Margin at the Low Level for Each Connected Device (Including Hysteresis)	V_{nL_I2C}	$0.1 \times V_{DD}$		$0.1 \times V_{DD}$		V
Noise Margin at the High Level for Each Connected Device (Including Hysteresis)	V_{nH_I2C}	$0.2 \times V_{DD}$		$0.2 \times V_{DD}$		V

MAXQ615

16-Bit MAXQ Microcontroller with Hardware Multiplier

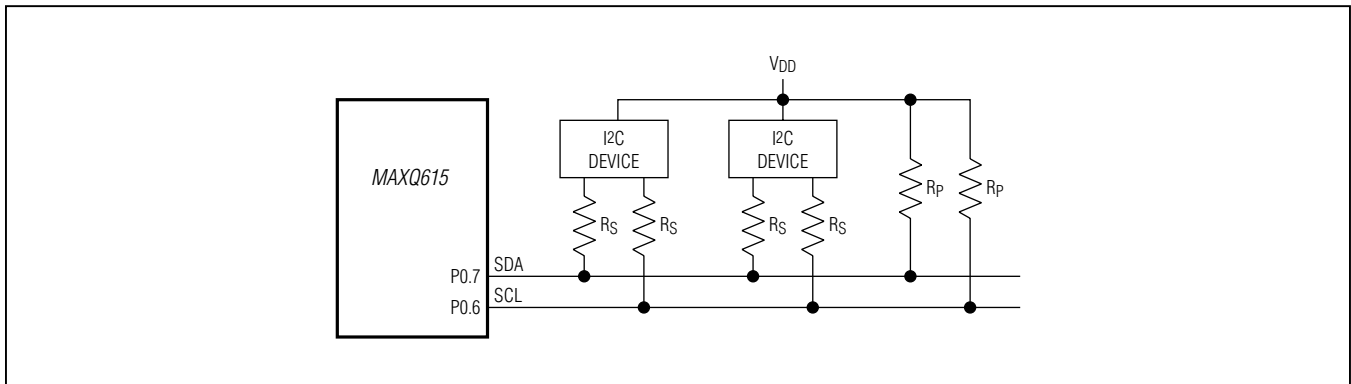


Figure 3. Series Resistors (R_S) for Protecting Against High-Voltage Spikes

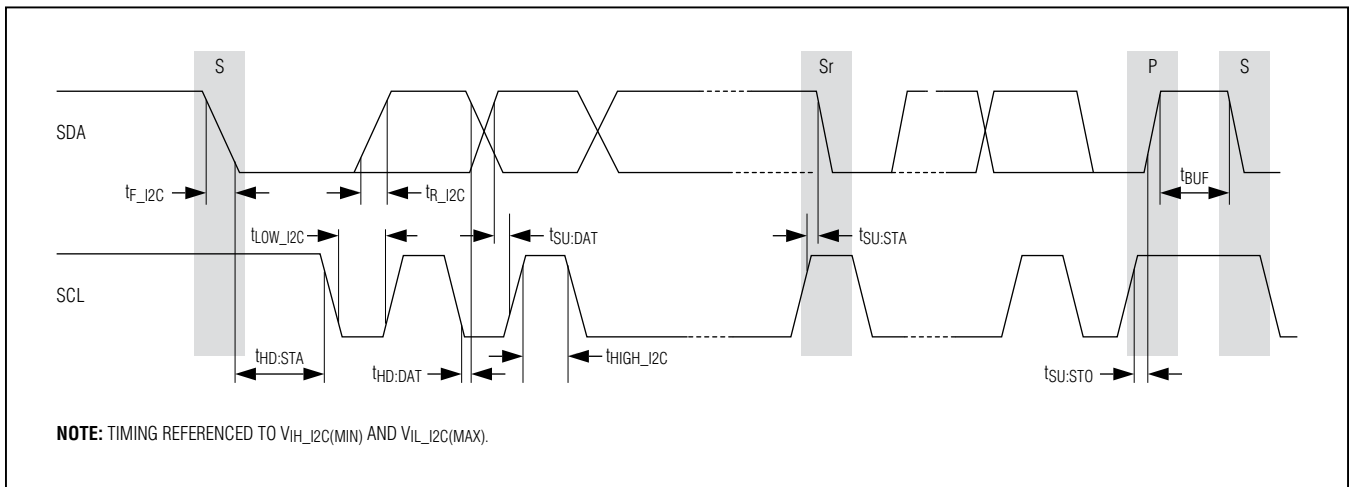


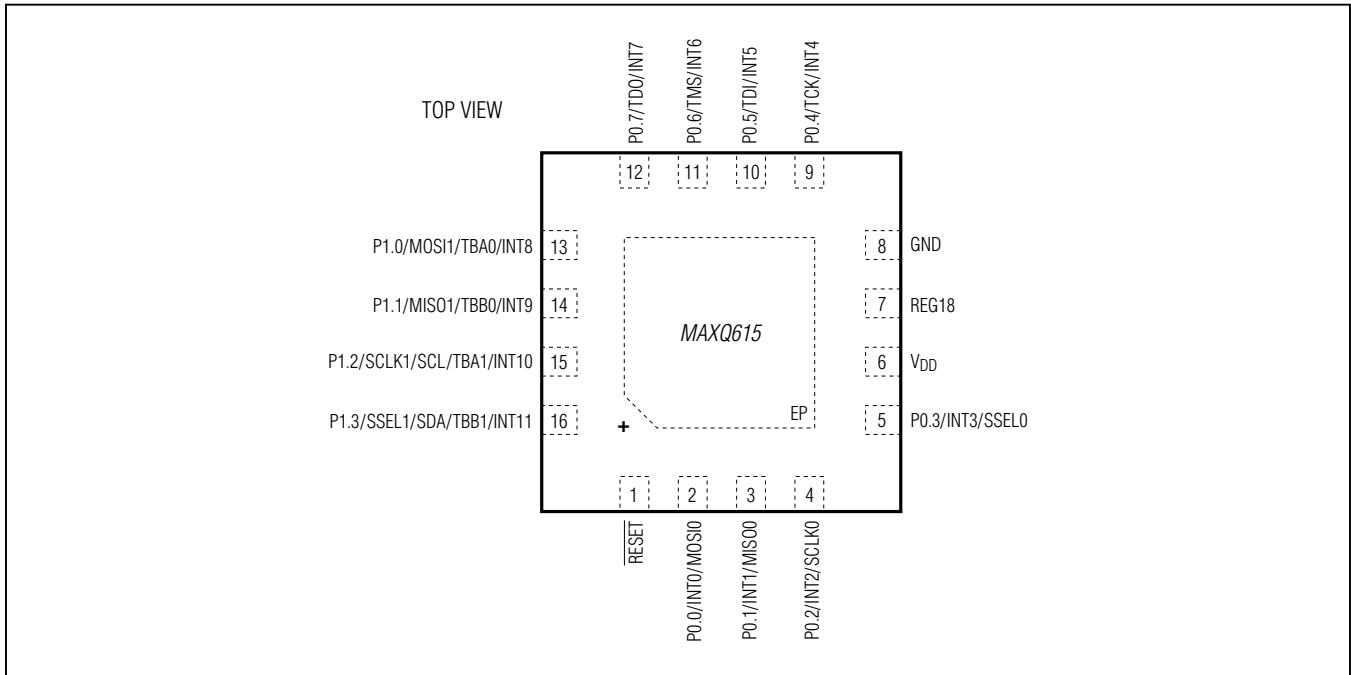
Figure 4. I²C Bus Controller Timing Diagram

- Note 1:** The user application must check the status of the power-fail warning flag before writing to flash memory to ensure complete write operations. Writes to flash memory must not be performed when the supply voltage drops below the power-fail warning levels.
- Note 2:** The power-fail warning monitor and the power-fail reset monitor track each other with a typical delta between the two of 0.13V at minimum power-fail warning selection.
- Note 3:** The power-fail reset and POR detectors operate in tandem so one or both of these signals is active at all times when $V_{DD} < V_{RST}$, ensuring the device maintains the reset state until minimum operating voltage is achieved.
- Note 4:** Measured on the V_{DD} pin and the part not in reset. All inputs are connected to GND or V_{DD} . Outputs do not source/sink any current. Part is executing code from flash memory.
- Note 5:** Measured on the V_{DD} pin and the part not in reset. All inputs are connected to GND or V_{DD} . Outputs do not source/sink any current. Program execution is halted in idle mode.
- Note 6:** The minimum amount of time that V_{DD} must be below V_{DD} before a power-fail event is detected. Refer to the user manual for detailed information.
- Note 7:** The maximum total current, $I_{OH(MAX)}$ and $I_{OL(MAX)}$, for all listed outputs combined should not exceed 32mA to satisfy the maximum specified voltage drop.

MAXQ615

16-Bit MAXQ Microcontroller with Hardware Multiplier

Pin Configuration



Pin Description

PIN	NAME	FUNCTION
POWER PINS		
6	V _{DD}	Digital Supply Voltage
8	GND	Digital Ground
7	REG18	Regulator Capacitor. This pin must be connected to ground through an external 1μF external ceramic chip capacitor. This capacitor should be placed as close as possible to this pin. No other device may be attached to this pin.
RESET PINS		
1	$\overline{\text{RESET}}$	Active-Low Reset. This bidirectional pin recognizes external active-low reset inputs and employs an internal pullup resistor to allow for a combination of wired-OR external reset sources. An RC is not required for power-up, as this function is provided internally. This pin also acts as an output when the source of the reset is internal to the device (e.g., watchdog timer, power-fail, etc). In this case, the pin is low while the processor is in a reset state, and returns high as the processor exits this state.

MAXQ615

16-Bit MAXQ Microcontroller with Hardware Multiplier

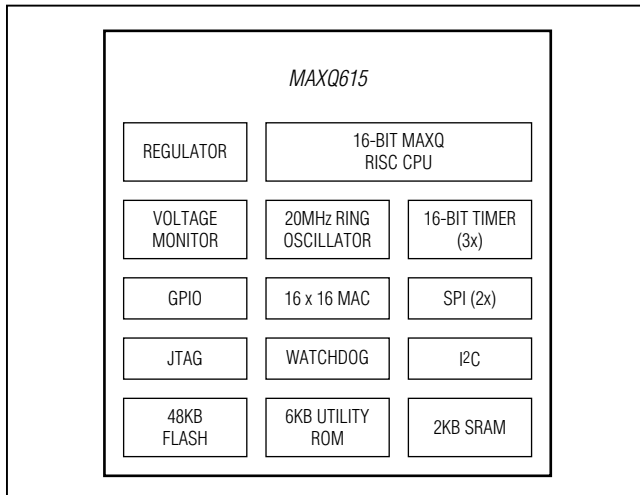
Pin Description (continued)

PIN	NAME	FUNCTION	
GENERAL-PURPOSE I/O PINS			
		<p>General-Purpose, Digital I/O Pins. These port pins function as general-purpose I/O pins with their input and output states controlled by the PD0, PO0, and PI0 registers. All port pins default to high-impedance mode after a reset. Software must configure these pins after release from reset to remove the high-impedance condition. All alternate functions must be enabled from software before they can be used.</p>	
		ALTERNATE FUNCTION	DESCRIPTION
2	P0.0	INT0	External Interrupt 0
		MOSI0	SPI0: Master Out-Slave In
3	P0.1	INT1	External Interrupt 1
		MISO0	SPI0: Master In-Slave Out
4	P0.2	INT2	External Interrupt 2
		SCLK0	SPI0: SPI Clock
5	P0.3	INT3	External Interrupt 3
		SSEL0	SPI0: Slave Select
9	P0.4	INT4	External Interrupt 4
		TCK	JTAG Test Clock
10	P0.5	INT5	External Interrupt 5
		TDI	JTAG Data In
11	P0.6	INT6	External Interrupt 6
		TMS	JTAG Test Mode Select
12	P0.7	INT7	External Interrupt 7
		TDO	JTAG Data Out
13	P1.0	INT8	External Interrupt 8
		MOSI1	SPI1: Master Out-Slave In
		TBA0	Timer B0 Pin A
14	P1.1	INT9	External Interrupt 9
		MISO1	SPI1: Master In-Slave Out
		TBB0	Timer B0 Pin B
15	P1.2	INT10	External Interrupt 10
		SCLK1	SPI1: SPI Clock
		SCL	I ² C Clock
		TBA1	Timer B1 Pin A
16	P1.3	INT11	External Interrupt 11
		SSEL1	SPI1: Slave Select
		SDA	I ² C Clock
		TBB1	Timer B1 Pin B
EXPOSED PAD			
—	EP	Exposed Pad. Leave EP electrically unconnected.	

MAXQ615

16-Bit MAXQ Microcontroller with Hardware Multiplier

Block Diagram



Detailed Description

The MAXQ615 is a MAXQ20S-based microcontroller that supports a variety of applications. One application would be power-supply sequencing and default voltage programming. It could also perform host interface control, backlight algorithm, fading control, and gas gauge algorithm functions. The microcontroller can add bootloader functionality to an application, making field updates much simpler. Additionally, a low-power sleep mode makes this device ideal for battery-powered equipment.

Microprocessor

The MAXQ20S core supports the Harvard memory architecture with separate 16-bit program and data address buses. A fixed 16-bit instruction word is standard, but data can be arranged in 8 or 16 bits. The MAXQ core is implemented as a pipelined processor with performance approaching 1MIPS per MHz. The 16-bit data path is implemented around register modules, and each register module contributes specific functions to the core. The accumulator module consists of sixteen 16-bit registers and is tightly coupled with the arithmetic logic unit (ALU). Program flow is supported by a configurable soft stack.

Execution of instructions is triggered by data transfer between functional register modules, or between a functional register module and memory. Since data movement

involves only source and destination modules, circuit switching activities are limited to active modules only. For power-conscious applications, this approach localizes power dissipation and minimizes switching noise. The modular architecture also provides a maximum of flexibility and reusability that are important for a microprocessor used in embedded applications.

The MAXQ instruction set is highly orthogonal. All arithmetic and logical operations can use any register in conjunction with the accumulator. Data movement is supported from any register to any other register. Memory is accessed through specific data pointer registers with auto increment/decrement support.

Memory

The microcontroller incorporates several memory types:

- 48KB flash memory
- 2KB SRAM
- 6KB utility ROM
- RAM-based software stack

Password-Protected Memory Access

Some applications require preventative measures to protect against simple access and viewing of program code memory. To address this need for code protection, the device permits full access to in-system programming, in-application programming, or in-circuit debugging only after a password has been supplied. The password is defined as the 16 words of physical program memory at addresses 0010h–001Fh. These memory locations can be used for general code space if a unique password is not needed.

When the password lock bit (PWL) is set to 1, password is required in order to access the ROM loader utilities that support read/write accessing of internal memory and debug functions. When PWL is cleared to 0, these utilities are fully accessible through the utility ROM without password.

The PWL bit defaults to 1 by a power-on reset. In order to access the ROM utilities, a correct password is needed; otherwise, access of ROM utilities is denied. Once the correct password has been supplied by the user, the ROM clears the password lock. The PWL remains clear until a power-on reset occurs or it is set by application software.

MAXQ615

16-Bit MAXQ Microcontroller with Hardware Multiplier

The password can be entered through the bootloader interface selected by the PSS1 and PSS0 bits in system programming when the SPE bit is set to logic 1, or selected through the TAP interface directly by issuing a password-unlock command.

Utility ROM

The utility ROM is a block of internal ROM that defaults to a starting address of 8000h. The utility ROM consists of subroutines that can be called from application software. These include the following:

- In-system programming using bootstrap loader
- Read chip revision or manufacturer ID
- Test routines (internal memory tests, memory loader, etc.)
- User-callable routines for in-application flash programming and fast table lookup

Following any reset, execution begins in the utility ROM. The ROM software determines whether the program execution should immediately jump to location 0000h, the start of system code, or to one of the special routines mentioned. Routines within the utility ROM are user-accessible and can be called as subroutines by the application software. More information on the utility ROM functions is contained in the user manual.

Loading Flash Memory with the Bootstrap Loader

An internal bootstrap loader allows the device to be reloaded over the JTAG interface. This allows software to be upgraded in-system, eliminating the need for a costly

hardware retrofit when updates are required. Remote software uploads are possible that enable physically inaccessible applications to be frequently updated. If in-system programmability is not required, a commercial gang programmer can be used for mass programming.

Watchdog Timer

An internal watchdog timer greatly increases system reliability. The timer resets the device if software execution is disturbed. The watchdog timer is a free-running counter designed to be periodically reset by the application software. If software is operating correctly, the counter is periodically reset and never reaches its maximum count. However, if software operation is interrupted, the timer does not reset, triggering a system reset and optionally a watchdog timer interrupt. This protects the system against electrical noise or electrostatic discharge (ESD) upsets that could cause uncontrolled processor operation. The internal watchdog timer is an upgrade to older designs with external watchdog devices, reducing system cost and simultaneously increasing reliability.

The watchdog timer functions as the source of both the watchdog timer timeout and the watchdog timer reset. The timeout period can be programmed in a range of 215 to 232 system clock cycles. An interrupt is generated when the timeout period expires if the interrupt is enabled. All watchdog timer resets follow the programmed interrupt timeouts by 512 system clock cycles. If the watchdog timer is not restarted for another full interval in this time period, a system reset occurs when the reset timeout expires.

Table 1. Watchdog Timer Intervals ($f_{\text{SYSCLK}} = 20\text{MHz}$, $\text{CD}[1:0] = 00$)

WD[1:0]	WATCHDOG INTERRUPT TIMEOUT	WATCHDOG INTERRUPT PERIOD (ms)	WATCHDOG RESET AFTER WATCHDOG INTERRUPT (μs)
00	$\text{Sysclk} \times 2^{15}$	1.62	25.6
01	$\text{Sysclk} \times 2^{16}$	3.27	25.6
10	$\text{Sysclk} \times 2^{17}$	6.55	25.6
11	$\text{Sysclk} \times 2^{18}$	13.1	25.6

16-Bit MAXQ Microcontroller with Hardware Multiplier

General-Purpose I/O

The general-purpose I/O pins have the following features:

- CMOS output drivers
- Schmitt trigger inputs
- Optional weak pullup to V_{DD} when operating in input mode

While the microcontroller is in a reset state, all port pins become high impedance with input buffers and weak pullups disabled, unless otherwise noted.

From a software perspective, each port appears as a group of peripheral registers with unique addresses. Special function pins can also be used as general-purpose I/O pins when the special functions are disabled. For a detailed description of the special functions available for each pin, refer to the user manual for this device.

16-Bit Timers/Counters

The microcontroller provides three timers/counters that support the following functions:

- 16-bit timer/counter
- 16-bit up/down autoreload
- Counter function of external pulse
- 16-bit timer with capture
- 16-bit timer with compare
- Input/output enhancements for pulse-width modulation
- Set/reset/toggle output state on comparator match
- Prescaler with 2ⁿ divider (for n = 0, 2, 4, 6, 8, 10)

Serial Peripherals

Serial Peripheral Interface (SPI)

The device provides two SPI ports. The SPI is an inter-device bus protocol that provides fast, synchronous, full-duplex communications between devices. The integrated SPI interface acts as either an SPI master or slave device. The master drives the synchronous clock and selects which of several slaves is being addressed. Every SPI peripheral consists of a single shift register and control circuitry so that an addressed serial peripheral interface SPI peripheral is simultaneously transmitting and receiving. The maximum SPI master transfer rate is Sysclk/2. When operating as an SPI slave, the device can support up to Sysclk/4 SPI transfer rate. Data can be transferred

as an 8-bit or 16-bit value, MSB first. In addition, the SPI module supports configuration of the active SSEL state through the slave active-select pin.

Four signals are used in SPI communication:

- **SCLK:** The synchronous clock used by all devices. The master drives this clock and the slaves receive the clock. Note that SCLK can be gated and need not be driven between SPI transactions.
- **MOSI:** Master out-slave in. This is the main data line driven by the master to all slaves on the SPI bus. Only the selected slave clocks data from MOSI.
- **MISO:** Master in-slave out. This is the main data line driven by the selected slave to the master. Only the selected slave may drive this circuit. In fact, it is the only circuit in the SPI bus arrangement that a slave is ever permitted to drive.
- **SSEL:** This signal is unique to each slave. When active (generally low), the selected slave must drive MISO.

I²C Bus

The microcontroller provides an internal I²C bus master/slave for communication with a wide variety of other I²C-enabled peripherals. The I²C bus is a 2-wire, bidirectional bus using two bus lines—the serial data line (SDA) and the serial clock line (SCL)—and a ground line. Both the SDA and SCL lines must be driven as open-collector/drain outputs. External resistors are required to pull the lines to a logic-high state.

The device supports both the master and slave protocols. In the master mode, the device has ownership of the I²C bus, drives the clock, and generates the START and STOP signals. This allows it to send data to a slave or receive data from a slave as required. In slave mode, the device relies on an externally generated clock to drive SCL and responds to data and commands only when requested by the I²C master device.

Hardware Multiplier

The internal hardware multiplier supports high-speed multiplications. The multiplier can complete a 16-bit x 16-bit multiply-and-accumulate/subtract operation in a single cycle with the support of a 48-bit accumulator. The multiplier is a fixed-point arithmetic unit. The operands can be either signed or unsigned numbers, but the data type must be defined by the application software prior to loading the operand registers.

16-Bit MAXQ Microcontroller with Hardware Multiplier

Seven different multiply operations can be performed without requiring direct intervention of the microcontroller core.

- Unsigned 16-bit multiplication
- Unsigned 16-bit multiplication and accumulation
- Unsigned 16-bit multiplication and subtraction
- Signed 16-bit multiplication
- Signed 16-bit multiplication and negate
- Signed 16-bit multiplication and accumulation
- Signed 16-bit multiplication and subtraction

Each of these operations is controlled and accessed through six SFR registers. The 8-bit multiplier control register (MCNT) selects the operation, data type, operand count, optional hardware-based square function, write option on the MC register, the overflow flag, and the clear control for operand registers and accumulator. Loading and unloading of the data is achieved through five 16-bit SFR registers. Only one cycle is needed for computation. This means that the result of an operation is ready in the next cycle immediately following the loading of the last operand. Back-to-back operations can be performed without wait states between operations, independent of data type and operand count.

Clock Sources

All operations are synchronized to a single internal system clock. The clock runs at approximately 20MHz. More information on the clock timing is contained in the electrical tables of this data sheet. Internal clock divisors are available to reduce power consumption and or improve compatibility with slower peripherals.

Approximately 25 μ s after V_{DD} exceeds V_{RST} (a power-on reset), the internal oscillator stabilizes and code execution begins.

In-Circuit Debug

Embedded debug hardware and software are developed and integrated to provide full in-circuit debugging capability in a user application environment. These hardware and software features include:

- A debug engine
- A set of registers providing the ability to set breakpoints on register, code, or data using debug service routines stored in ROM

Collectively, these hardware and software features support two modes of in-circuit debug functionality:

- Background mode:
 - CPU is executing the normal user program
 - Allows the host to configure and set up the in-circuit debugger
- Debug mode:
 - The debugger takes over the control of the CPU
 - Read/write accesses to internal registers and memory
 - Single-step of the CPU for trace operation

The interface to the debug engine is the JTAG interface. To prevent unauthorized access, the debug engine prevents access to system memory.

Operating Modes

Idle Mode

The idle mode suspends the processor so that no instructions are fetched and no processing occurs. Setting the IDLE bit in the CKCN register to 1 invokes the idle mode. The instruction that executes this step is the last instruction prior to halting the program counter. Once in idle mode, all resources are preserved and all clocks remain active with the enabled peripherals, and power monitor continue to work, so the processor can exit the idle state using any of the interrupt sources that are enabled. The IDLE bit is cleared automatically once the idle state is exited, allowing the processor to execute the instruction that immediately follows the instruction that set the IDLE bit.

To conserve power consumption, application can put the processor into idle mode when code execution is not required. One example of use is for SPI communication. The application code can preload SPI FIFO with desired number of bytes for transmission and then put the processor into idle mode. The device continues with the SPI transaction and only interrupts the processor when the enabled SPI interrupts are generated. Another use is to configure one of the timers to interrupt the device at a predetermined interval. The application code can finish its task and then put the processor into idle mode. The timer then wakes up the processor when the specified interval has elapsed.

MAXQ615

16-Bit MAXQ Microcontroller with Hardware Multiplier

Stop Mode

The lowest power mode of operation for the device is stop mode. In this mode, CPU state and memories are preserved, but the CPU is not actively running. Wake-up sources include external I/O interrupts, the power-fail warning interrupt, or a power-fail reset. Any time the microcontroller is in a state where code does not need to be executed, the user software can put the device into stop mode. The nanopower ring oscillator is an internal ultra-low-power (400nA), 8kHz ring oscillator that can be used to drive a wake-up timer that exits stop mode. The wake-up timer is programmable by software in steps of 125 μ s up to approximately 8s.

The power-fail monitor is always on during normal operation. However, it can be selectively disabled during stop mode to minimize power consumption. This feature is enabled using the power-fail monitor disable

(PFD) bit in the PWCN register. The reset default state for the PFD bit is 1, which disables the power-fail monitor function during stop mode. If power-fail monitoring is disabled (PFD = 1) during stop mode, the circuitry responsible for generating a power-fail warning or reset is shut down and neither condition is detected. Thus, the $V_{DD} < V_{RST}$ condition does not invoke a reset state. However, in the event that V_{DD} falls below the POR level, a POR is generated. The power-fail monitor is enabled prior to stop mode exit and before code execution begins. If a power-fail warning condition ($V_{DD} < V_{PFW}$) is then detected, the power-fail interrupt flag is set on stop mode exit. If a power-fail condition is detected ($V_{DD} < V_{RST}$), the CPU goes into reset.

Power-Fail Detection

Figure 5, 6, and 7 show the power-fail detection and response during normal and stop mode operation.

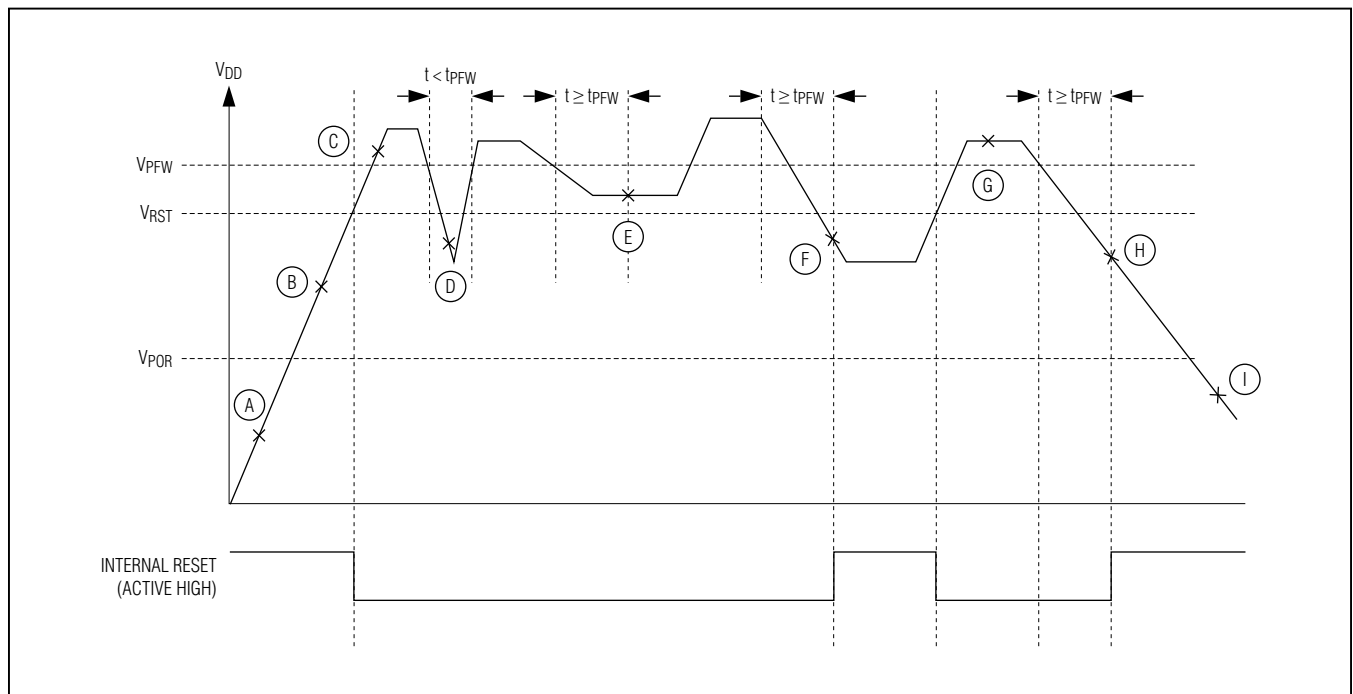


Figure 5. Power-Fail Detection During Normal Operation

16-Bit MAXQ Microcontroller with Hardware Multiplier

Table 2. Power-Fail Detection States During Normal Operation

STATE	POWER-FAIL	INTERNAL REGULATOR	CRYSTAL OSCILLATOR	SRAM RETENTION	COMMENTS
A	On	Off	Off	—	$V_{DD} < V_{POR}$.
B	On	On	On	—	$V_{POR} < V_{DD} < V_{RST}$. Crystal warmup time, t_{XTAL_RDY} . CPU held in reset.
C	On	On	On	—	$V_{DD} > V_{RST}$. CPU normal operation.
D	On	On	On	—	Power drop too short. Power-fail not detected.
E	On	On	On	—	$V_{RST} < V_{DD} < V_{PFW}$. PFI is set when $V_{RST} < V_{DD} < V_{PFW}$ and maintains this state for at least t_{PFW} , at which time a power-fail interrupt is generated (if enabled). CPU continues normal operation.
F	On (Periodically)	Off	Off	Yes	$V_{POR} < V_{DD} < V_{RST}$. Power-fail detected. CPU goes into reset. Power-fail monitor turns on periodically.
G	On	On	On	—	$V_{DD} > V_{RST}$. Crystal warmup time, t_{XTAL_RDY} . CPU resumes normal operation from 8000h.
H	On (Periodically)	Off	Off	Yes	$V_{POR} < V_{DD} < V_{RST}$. Power-fail detected. CPU goes into reset. Power-fail monitor is turned on periodically.
I	Off	Off	Off	—	$V_{DD} < V_{POR}$. Device held in reset. No operation allowed.

If a reset is caused by a power-fail, the power-fail monitor can be set to one of the following intervals:

- Always on—continuous monitoring
- 2¹¹ nanopower ring oscillator clocks (~256ms)
- 2¹² nanopower ring oscillator clocks (~512ms)
- 2¹³ nanopower ring oscillator clocks (~1.024s)

In the case where the power-fail circuitry is periodically turned on, the power-fail detection is turned on for two nanopower ring oscillator cycles. If $V_{DD} > V_{RST}$ during

detection, V_{DD} is monitored for an additional nanopower ring oscillator period. If V_{DD} remains above V_{RST} for the third nanopower ring period, the CPU exits the reset state and resumes normal operation from utility ROM at 8000h after satisfying the crystal warmup period.

If a reset is generated by any other event, such as the RESET pin being driven low externally or the watchdog timer, the power-fail, internal regulator, and crystal remain on during the CPU reset. In these cases, the CPU exits the reset state in less than 20 crystal cycles after the reset source is removed.

MAXQ615

16-Bit MAXQ Microcontroller with Hardware Multiplier

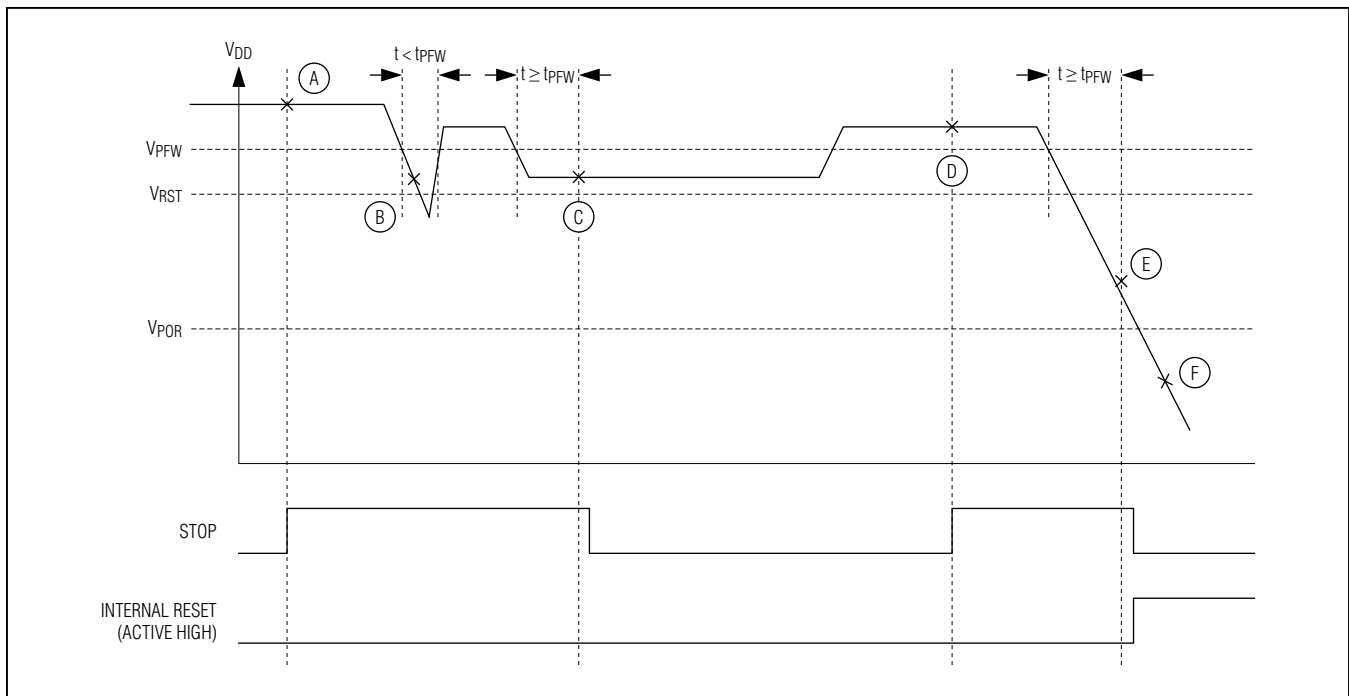


Figure 6. Stop Mode Power-Fail Detection States with Power-Fail Monitor Enabled

Table 3. Stop Mode Power-Fail Detection States with Power-Fail Monitor Enabled

STATE	POWER-FAIL	INTERNAL REGULATOR	CRYSTAL OSCILLATOR	SRAM RETENTION	COMMENTS
A	On	Off	Off	Yes	Application enters stop mode. $V_{DD} > V_{RST}$. CPU in stop mode.
B	On	Off	Off	Yes	Power drop too short. Power-fail not detected.
C	On	On	On	Yes	$V_{RST} < V_{DD} < V_{PFW}$. Power-fail warning detected. Turn on regulator and crystal. Crystal warmup time, t_{XTAL_RDY} . Exit stop mode.
D	On	Off	Off	Yes	Application enters stop mode. $V_{DD} > V_{RST}$. CPU in stop mode.
E	On (Periodically)	Off	Off	Yes	$V_{POR} < V_{DD} < V_{RST}$. Power-fail detected. CPU goes into reset. Power-fail monitor is turned on periodically.
F	Off	Off	Off	—	$V_{DD} < V_{POR}$. Device held in reset. No operation allowed.

MAXQ615

16-Bit MAXQ Microcontroller with Hardware Multiplier

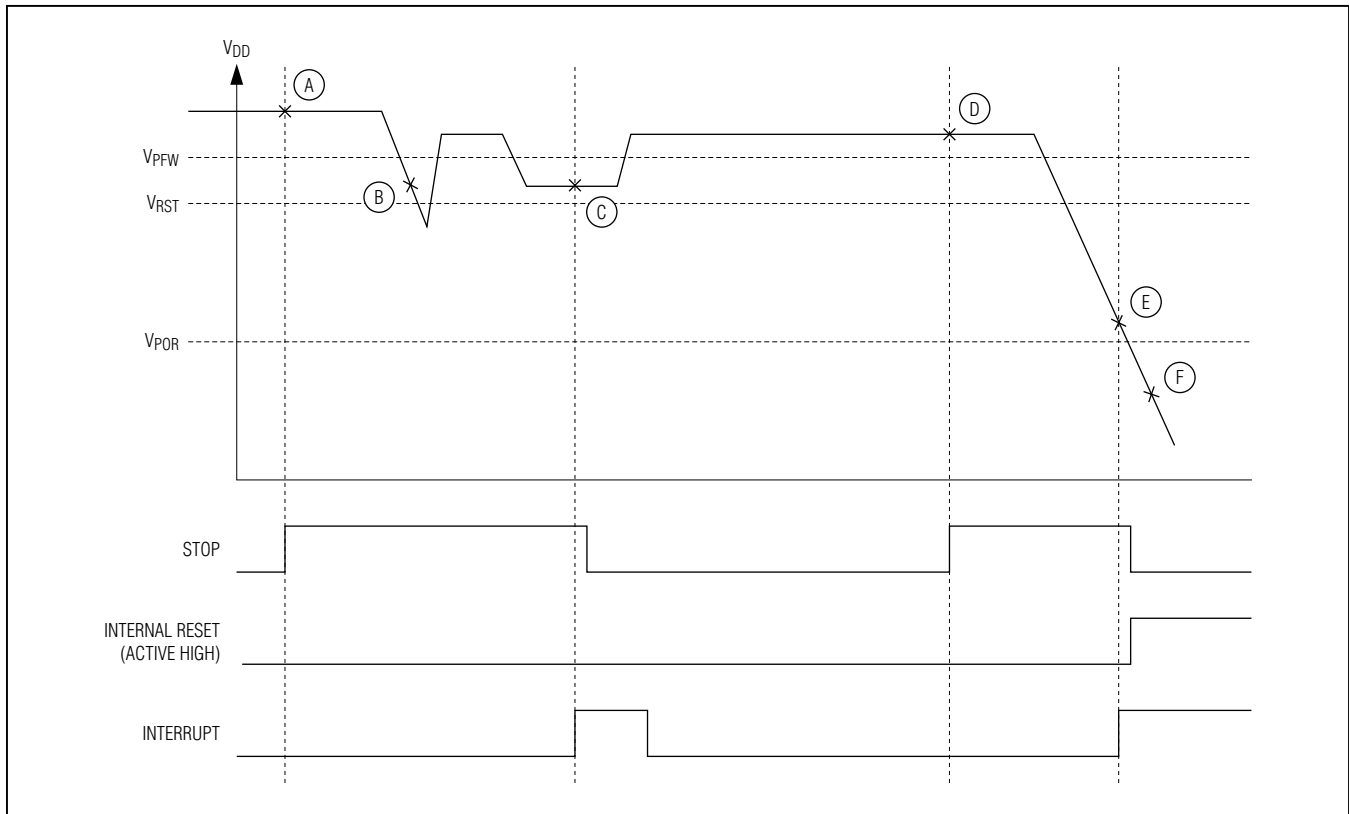


Figure 7. Stop Mode Power-Fail Detection with Power-Fail Monitor Disabled

Table 4. Stop Mode Power-Fail Detection States with Power-Fail Monitor Disabled

STATE	POWER-FAIL	INTERNAL REGULATOR	CRYSTAL OSCILLATOR	SRAM RETENTION	COMMENTS
A	Off	Off	Off	Yes	Application enters stop mode. $V_{DD} > V_{RST}$. CPU in stop mode.
B	Off	Off	Off	Yes	$V_{DD} < V_{PFW}$. Power-fail not detected because power-fail monitor is disabled.
C	On	On	On	Yes	$V_{RST} < V_{DD} < V_{PFW}$. An interrupt occurs that causes the CPU to exit stop mode. Power-fail monitor is turned on, detects a power-fail warning, and sets the power-fail interrupt flag. Turn on regulator and crystal. Crystal warmup time, t_{XTAL_RDY} . On stop mode exit, CPU vectors to the higher priority of power-fail and the interrupt that causes stop mode exit.

MAXQ615

16-Bit MAXQ Microcontroller with Hardware Multiplier

Table 4. Stop Mode Power-Fail Detection States with Power-Fail Monitor Disabled (continued)

STATE	POWER-FAIL	INTERNAL REGULATOR	CRYSTAL OSCILLATOR	SRAM RETENTION	COMMENTS
D	Off	Off	Off	Yes	Application enters stop mode. $V_{DD} > V_{RST}$. CPU in stop mode.
E	On (Periodically)	Off	Off	Yes	$V_{POR} < V_{DD} < V_{RST}$. An interrupt occurs that causes the CPU to exit stop mode. Power-fail monitor is turned on, detects a power-fail, puts CPU in reset. Power-fail monitor is turned on periodically.
F	Off	Off	Off	—	$V_{DD} < V_{POR}$ Device held in reset. No operation allowed.

Applications Information

The low-power, high-performance RISC architecture of this device makes it an excellent fit for many portable or applications requiring security.

Grounds and Bypassing

Careful PCB layout significantly minimizes system level digital noise that could interact with the microcontroller or peripheral components. The use of multilayer boards is essential to allow the use of dedicated power planes. The area under any digital components should be a continuous ground plane if possible. Keep any bypass capacitor leads short for best noise rejection and place the capacitors as close to the leads of the devices as possible.

CMOS design guidelines for any semiconductor require that no pin be taken above V_{DD} or below GND. Violation of this guideline can result in a hard failure (damage to the silicon inside the device) or a soft failure (unintentional modification of memory contents). Voltage spikes above or below the device's absolute maximum ratings can potentially cause a catastrophic latchup of the device.

Microcontrollers commonly experience negative voltage spikes through either their power pins or general-purpose I/O pins. Negative voltage spikes on power pins are especially problematic as they directly couple to the internal power buses. Devices such as keypads can conduct electrostatic discharges directly into the microcontroller and seriously damage the device. System designers must protect components against these transients that can corrupt system memory.

Additional Documentation

Designers must have the following documents to fully use all the features of this device. This data sheet contains pin descriptions, feature overviews, and electrical specifications. Errata sheets contain deviations from published specifications. The user's guide offers detailed information about device features and operation.

- This MAXQ615 data sheet, which contains electrical/timing specifications and pin descriptions.
- The revision-specific MAXQ615 errata sheet.
- The MAXQ615 User's Guide, which contains detailed information on core features and operation, including programming.

Development and Technical Support

A variety of highly versatile, affordably-priced development tools for this microcontroller are available from Maxim and third-party suppliers, including:

- Compilers
- In-circuit emulators
- Integrated development environments (IDEs)

A partial list of development tool vendors can be found at www.maximintegrated.com/MAXQ_tools.

For technical support, go to:

<https://support.maximintegrated.com/micro>.

MAXQ615

16-Bit MAXQ Microcontroller with Hardware Multiplier

Ordering Information

PART	OPERATING VOLTAGE (V)	TEMP RANGE	FLASH MEMORY (KB)	DATA MEMORY (KB)	PIN-PACKAGE
MAXQ615-F00+	2.4 to 3.6	-40°C to +85°C	48	2	16 TQFN-EP*

+Denotes a lead(Pb)-free/RoHS-compliant package.

*EP = Exposed pad.

Chip Information

PROCESS: BiCMOS

Package Information

For the latest package outline information and land patterns (footprints), go to www.maximintegrated.com/packages. Note that a "+", "#", or "-" in the package code indicates RoHS status only. Package drawings may show a different suffix character, but the drawing pertains to the package regardless of RoHS status.

PACKAGE TYPE	PACKAGE CODE	OUTLINE NO.	LAND PATTERN NO.
16 TQFN-EP	T1644+4	21-0139	90-0070

MAXQ615

16-Bit MAXQ Microcontroller with Hardware Multiplier

Revision History

REVISION NUMBER	REVISION DATE	DESCRIPTION	PAGES CHANGED
0	3/12	Initial release	—



Maxim Integrated cannot assume responsibility for use of any circuitry other than circuitry entirely embodied in a Maxim Integrated product. No circuit patent licenses are implied. Maxim Integrated reserves the right to change the circuitry and specifications without notice at any time. The parametric values (min and max limits) shown in the Electrical Characteristics table are guaranteed. Other parametric values quoted in this data sheet are provided for guidance.

Maxim Integrated 160 Rio Robles, San Jose, CA 95134 USA 1-408-601-1000

20

X-ON Electronics

Largest Supplier of Electrical and Electronic Components

Click to view similar products for [16-bit Microcontrollers - MCU category](#):

Click to view products by [Maxim manufacturer](#):

Other Similar products are found below :

[M30302FCFP#U3](#) [MB90F036APMC-GSE1](#) [MB90F428GCPFR-GSE1](#) [MB96F683RBPMC-GSAE1](#) [R5F10MMGDFB#30](#)
[R5F111PGGFB#30](#) [R5F117BCGNA#20](#) [DF3026XBL25V](#) [DF36014GFTV](#) [DF36014GFXV](#) [DF36024GFTV](#) [DF36034GFPV](#)
[R5F11B7EANA#U0](#) [R5F21172DSP#U0](#) [MB90092PF-G-BNDE1](#) [MB90F335APMC1-G-SPE1](#) [MB90F345CAPFR-GSE1](#) [MB90F568PMCR-GE1](#) [MB90F882ASPMC-GE1](#) [MB96F395RSAPMC-GSE2](#) [DF36024GFXV](#) [UPD78F1018F1-BA4-A](#) [MB96F018RBPMC-GSE1](#)
[MB90F867ASPFR-GE1](#) [DF2239FA20IV](#) [R5F117BCGFP#30](#) [LC88F58B0AU-SQFPH](#) [MB90F548GPF-GE1](#) [MB90214PF-GT-310-BND-AE1](#)
[MB90F342CESPQC-GSE2](#) [MB90F428GAPF-GSE1](#) [ML620Q504H-NNNTBWBX](#) [UPD78F1500AGK-GAK-AX](#) [HD64F3337SF16V](#)
[MB90F428GCPF-GSE1](#) [MB90F342ESPMC-G-JNE1](#) [MB90022PF-GS-358E1](#) [MB96F395RWAPMC-GSE2](#) [MB96395RSAPMC-GS-110E2](#)
[MB90F883CSPMC-GE1](#) [S912ZVHY64F1VLQ](#) [ST10F280](#) [MB96F338RSAPMCR-GK5E2](#) [CY90096PF-G-002-BND-ERE1](#) [ML62Q1569-NNNGAZ0AX](#) [ML62Q1739-NNNGAZ0AX](#) [ML62Q1749-NNNGAZ0AX](#) [ML62Q1579-NNNGAZ0AX](#) [ML62Q1559-NNNGAZ0AX](#)
[ML62Q1729-NNNGAZ0AX](#)