



COMLINEAR® CLC2058

Dual 4V to 36V Amplifier

FEATURES

- Unity gain stable
- 100dB voltage gain
- 5.5MHz gain bandwidth product
- 0.5MΩ input resistance
- 100dB power supply rejection ratio
- 95dB common mode rejection ratio
- 4V to 36V single supply voltage range
- ±2V to ±18V dual supply voltage range
- Gain and phase match between amps
- CLC2058: improved replacement for NJM4558 and MC1458
- CLC2058: Pb-free SOIC-8

APPLICATIONS

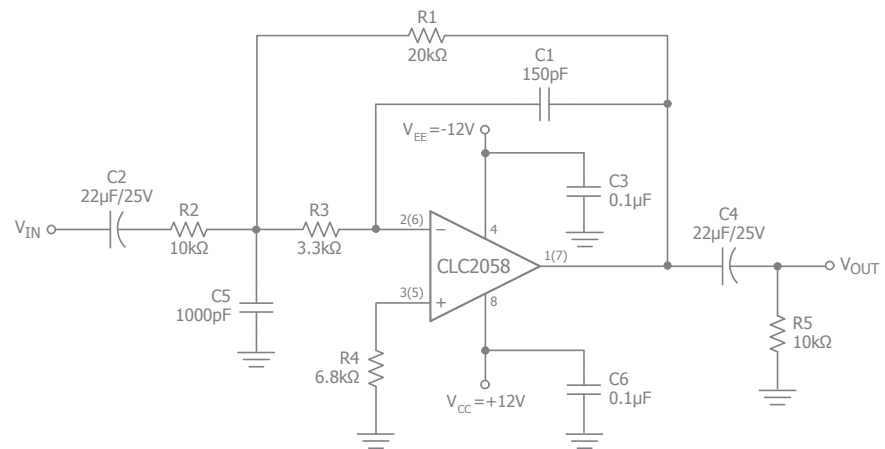
- Active Filters
- Audio Amplifiers
- Audio AC-3 Decoder Systems
- General purpose dual amplifier

General Description

The COMLINEAR CLC2058 is a dual voltage feedback amplifier that is internally frequency compensated to provide unity gain stability. The CLC2058 offers 3.5MHz of bandwidth at a gain of 2. The CLC2058 also features high gain, low input voltage noise, high input resistance, and superb channel separation making it well suited for audio filter applications in set-top-boxes, DVD players, and televisions.

The COMLINEAR CLC2058 is designed to operate over a wide power supply voltage range, ±2V to ±18V (4V to 36V). It utilizes an industry standard dual amplifier pin-out and is available in a Pb-free, RoHS compliant SOIC-8 package.

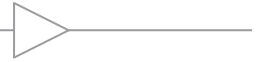
Typical Application - 2nd Order Low-Pass Audio Filter



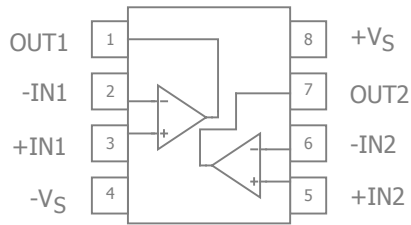
Ordering Information

| Part Number | Package | Pb-Free | RoHS Compliant | Operating Temperature Range | Packaging Method |
|--------------|---------|---------|----------------|-----------------------------|------------------|
| CLC2058ISO8X | SOIC-8 | Yes | Yes | -40°C to +85°C | Reel |

Moisture sensitivity level for all parts is MSL-1.



CLC2058 Pin Configuration



CLC2058 Pin Description

| Pin No. | Pin Name | Description |
|---------|----------|---------------------------|
| 1 | OUT1 | Output, channel 1 |
| 2 | -IN1 | Negative input, channel 1 |
| 3 | +IN1 | Positive input, channel 1 |
| 4 | -VS | Negative supply |
| 5 | +IN2 | Positive input, channel 2 |
| 6 | -IN2 | Negative input, channel 2 |
| 7 | OUT2 | Output, channel 2 |
| 8 | +VS | Positive supply |



Absolute Maximum Ratings

The safety of the device is not guaranteed when it is operated above the "Absolute Maximum Ratings". The device should not be operated at these "absolute" limits. Adhere to the "Recommended Operating Conditions" for proper device function. The information contained in the Electrical Characteristics tables and Typical Performance plots reflect the operating conditions noted on the tables and plots.

| Parameter | Min | Max | Unit |
|---|-----|-----------------|------|
| Supply Voltage | 0 | 40 (± 20) | V |
| Differential Input Voltage | | 60 (± 30) | V |
| Input Voltage | | 30 (± 15) | V |
| Power Dissipation ($T_A = 25^\circ\text{C}$) - SOIC-8 | | 500 | mW |

Reliability Information

| Parameter | Min | Typ | Max | Unit |
|-----------------------------------|-----|-----|-----|---------------------------|
| Junction Temperature | | | 150 | $^\circ\text{C}$ |
| Storage Temperature Range | -65 | | 150 | $^\circ\text{C}$ |
| Lead Temperature (Soldering, 10s) | | | 260 | $^\circ\text{C}$ |
| Package Thermal Resistance | | | | |
| SOIC-8 | | 100 | | $^\circ\text{C}/\text{W}$ |

Notes:

Package thermal resistance (θ_{JA}), JEDEC standard, multi-layer test boards, still air.

Recommended Operating Conditions

| Parameter | Min | Typ | Max | Unit |
|-----------------------------|---------------|-----|-----------------|------------------|
| Operating Temperature Range | -40 | | +85 | $^\circ\text{C}$ |
| Supply Voltage Range | 4 (± 2) | | 36 (± 18) | V |



Electrical Characteristics

$T_A = 25^\circ\text{C}$, $+V_S = +15\text{V}$, $-V_S = -15\text{V}$, $R_f = R_g = 2\text{k}\Omega$, $R_L = 2\text{k}\Omega$ to $V_S/2$, $G = 2$; unless otherwise noted.

| Symbol | Parameter | Conditions | Min | Typ | Max | Units |
|---------------------------|---|--|----------|----------|-----|------------------------|
| Frequency Domain Response | | | | | | |
| UGBW _{SS} | Unity Gain Bandwidth | $G = +1$, $V_{\text{OUT}} = 0.2V_{\text{pp}}$, $V_S = 5\text{V}$, $R_f = 0$ | | 4.62 | | MHz |
| | | $G = +1$, $V_{\text{OUT}} = 0.2V_{\text{pp}}$, $V_S = 30\text{V}$, $R_f = 0$ | | 4.86 | | MHz |
| BW _{SS} | -3dB Bandwidth | $G = +2$, $V_{\text{OUT}} = 0.2V_{\text{pp}}$, $V_S = 5\text{V}$ | | 3.49 | | MHz |
| | | $G = +1$, $V_{\text{OUT}} = 0.2V_{\text{pp}}$, $V_S = 30\text{V}$ | | 3.55 | | MHz |
| BW _{LS} | Large Signal Bandwidth | $G = +2$, $V_{\text{OUT}} = 1V_{\text{pp}}$, $V_S = 5\text{V}$ | | 1.25 | | MHz |
| | | $G = +2$, $V_{\text{OUT}} = 2V_{\text{pp}}$, $V_S = 30\text{V}$ | | 0.74 | | MHz |
| GBWP | Gain-Bandwidth Product | | | 5.5 | | MHz |
| Time Domain Response | | | | | | |
| t_R , t_F | Rise and Fall Time | $V_{\text{OUT}} = 0.2\text{V}$ step; (10% to 90%), $V_S = 5\text{V}$ | | 100 | | ns |
| | | $V_{\text{OUT}} = 0.2\text{V}$ step; (10% to 90%), $V_S = 30\text{V}$ | | 98 | | ns |
| OS | Overshoot | $V_{\text{OUT}} = 0.2\text{V}$ step | | 12 | | % |
| SR | Slew Rate | 2V step, $V_S = 5\text{V}$ | | 2.6 | | V/ μs |
| | | 4V step, $V_S = 30\text{V}$ | | 2.8 | | V/ μs |
| Distortion/Noise Response | | | | | | |
| THD+N | Total Harmonic Distortion plus Noise | $V_{\text{OUT}} = 1V_{\text{RMS}}$, $f = 1\text{kHz}$, $G = 2$, $R_L = 10\text{k}\Omega$, $V_S = 30\text{V}$ | | 0.002 | | % |
| e_n | Input Voltage Noise | > 1kHz, $V_S = 5\text{V}$ | | 10 | | nV/ $\sqrt{\text{Hz}}$ |
| | | > 1kHz, $V_S = 30\text{V}$ | | 10 | | nV/ $\sqrt{\text{Hz}}$ |
| X_{TALK} | Crosstalk | Channel-to-channel, 500kHz | | 65 | | dB |
| DC Performance | | | | | | |
| V_{IO} | Input Offset Voltage ⁽¹⁾ | $V_S = 5\text{V}$ to 30V | | 1 | 5 | mV |
| I_b | Input Bias Current ⁽¹⁾ | $V_{\text{CM}} = 0\text{V}$ | | 70 | 400 | nA |
| I_{OS} | Input Offset Current ⁽¹⁾ | $V_{\text{CM}} = 0\text{V}$ | | 10 | 100 | nA |
| PSRR | Power Supply Rejection Ratio ⁽¹⁾ | DC, $R_S \leq 10\text{k}\Omega$ | 80 | 100 | | dB |
| A_{OL} | Open-Loop Gain ⁽¹⁾ | $R_L = \geq 2\text{k}\Omega$, $V_{\text{OUT}} = 1\text{V}$ to 11V | 85 | 100 | | dB |
| I_S | Supply Current ⁽¹⁾ | Total, $R_L = \infty$ | | 2.5 | 4.5 | mA |
| Input Characteristics | | | | | | |
| CMIR | Common Mode Input Range ^(1,3) | $+V_S = 30\text{V}$ | ± 12 | | | V |
| CMRR | Common Mode Rejection Ratio ⁽¹⁾ | DC, $R_S \leq 10\text{k}\Omega$ | 70 | 95 | | dB |
| R_{IN} | Input Resistance | | | 0.5 | | M Ω |
| Output Characteristics | | | | | | |
| R_{OUT} | Output Resistance | | | 45 | | Ω |
| V_{OUT} | Output Voltage Swing ⁽¹⁾ | $R_L = 2\text{k}\Omega$ | ± 10 | ± 13 | | V |
| | | $R_L = 10\text{k}\Omega$ | ± 12 | ± 14 | | V |
| I_{SOURCE} | Output Current, Sourcing | $V_{\text{IN}+} = 1\text{V}$, $V_{\text{IN}-} = 0\text{V}$, $V_{\text{OUT}} = 2\text{V}$ | | 35 | | mA |
| I_{SINK} | Output Current, Sinking | $V_{\text{IN}+} = 0\text{V}$, $V_{\text{IN}-} = 1\text{V}$, $V_{\text{OUT}} = 2\text{V}$ | | 60 | | mA |

Notes:

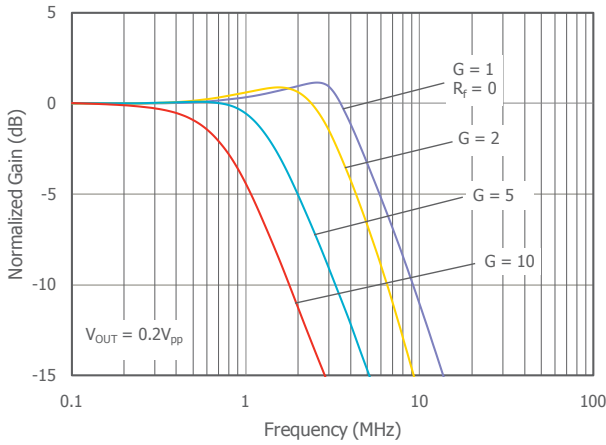
- 100% tested at 25°C at $V_S = \pm 15\text{V}$.



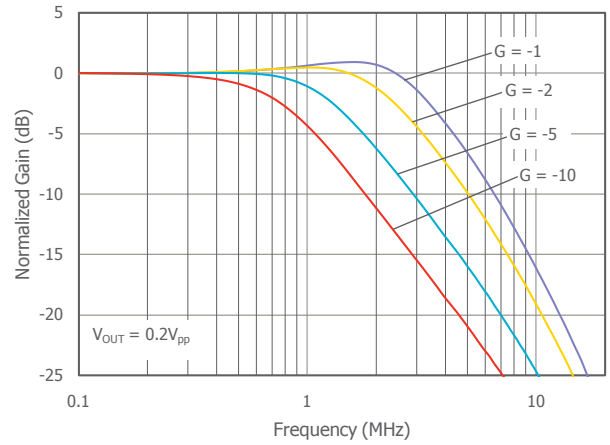
Typical Performance Characteristics

$T_A = 25^\circ C$, $+V_S = +15V$, $-V_S = -15V$, $R_f = R_g = 2k\Omega$, $R_L = 2k\Omega$ to $V_S/2$, $G = 2$; unless otherwise noted.

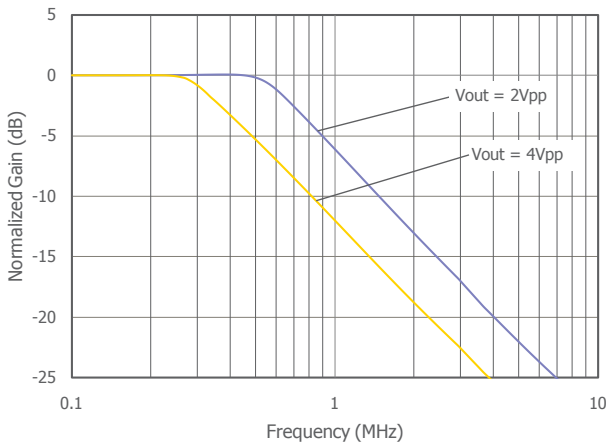
Non-Inverting Frequency Response



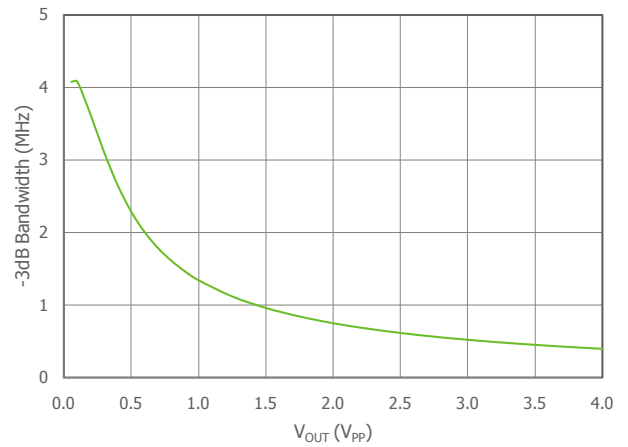
Inverting Frequency Response



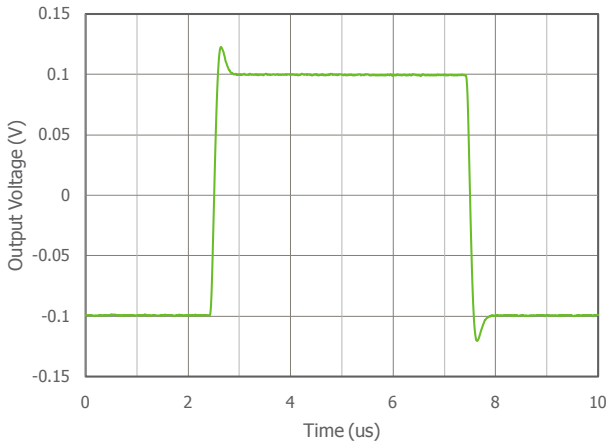
Large Signal Frequency Response



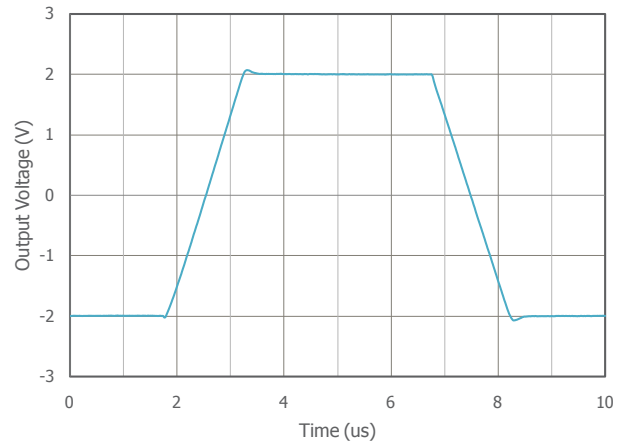
-3dB Bandwidth vs. V_{OUT}



Small Signal Pulse Response



Large Signal Pulse Response

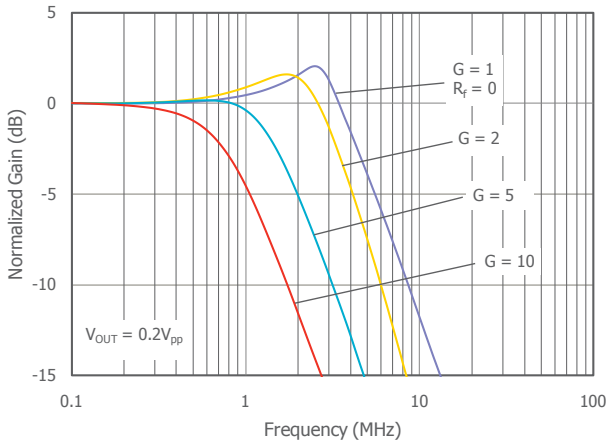




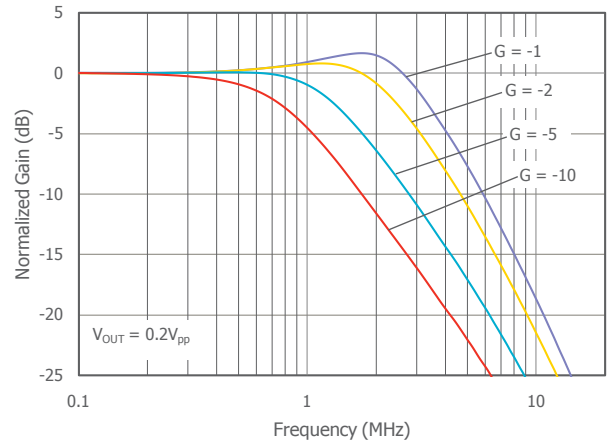
Typical Performance Characteristics

$T_A = 25^\circ C$, $+V_S = +5V$, $-V_S = GND$, $R_f = R_g = 2k\Omega$, $R_L = 2k\Omega$ to $V_S/2$, $G = 2$; unless otherwise noted.

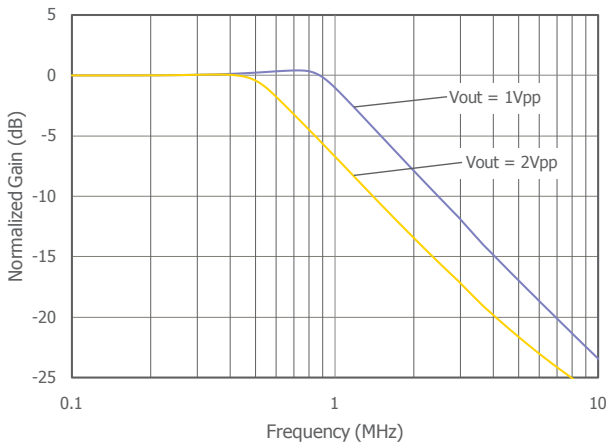
Non-Inverting Frequency Response



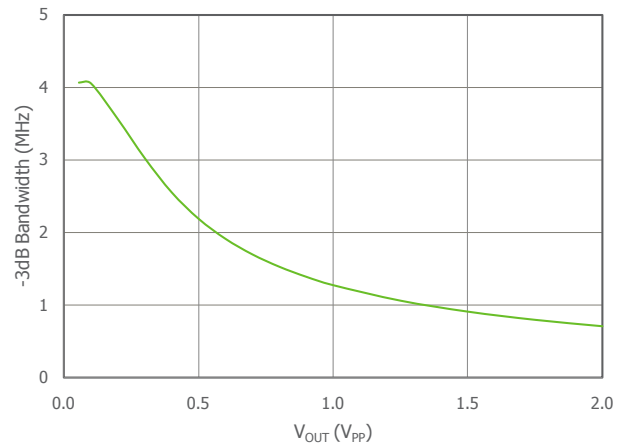
Inverting Frequency Response



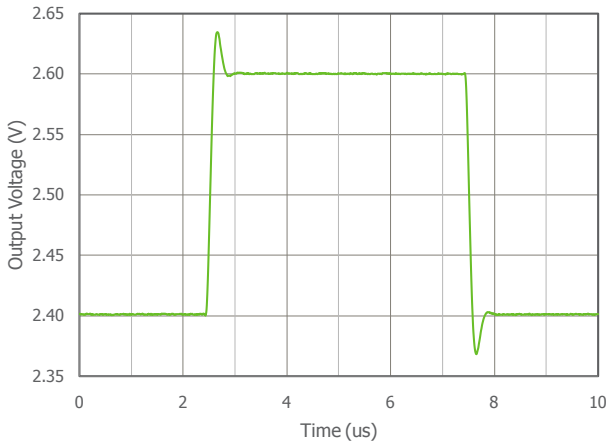
Large Signal Frequency Response



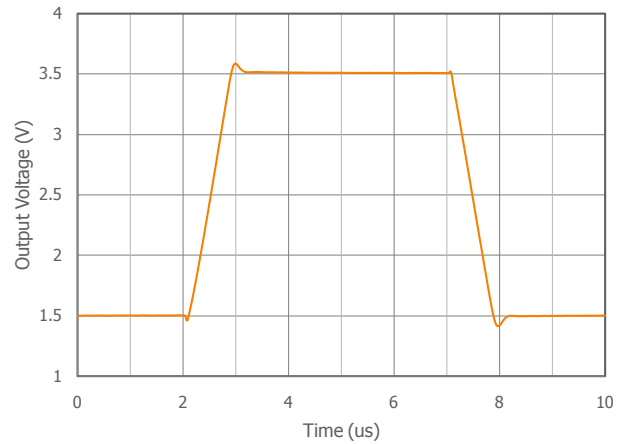
-3dB Bandwidth vs. V_{OUT}



Small Signal Pulse Response



Large Signal Pulse Response

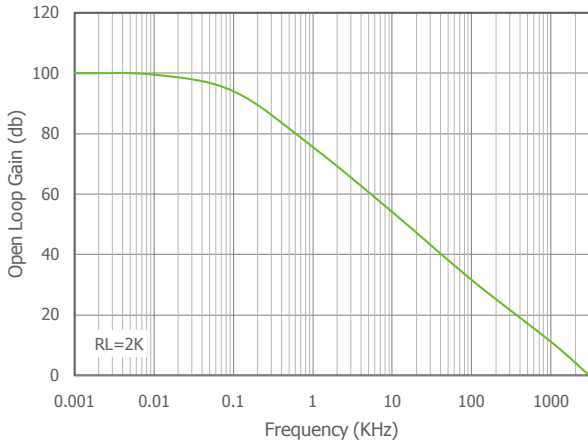




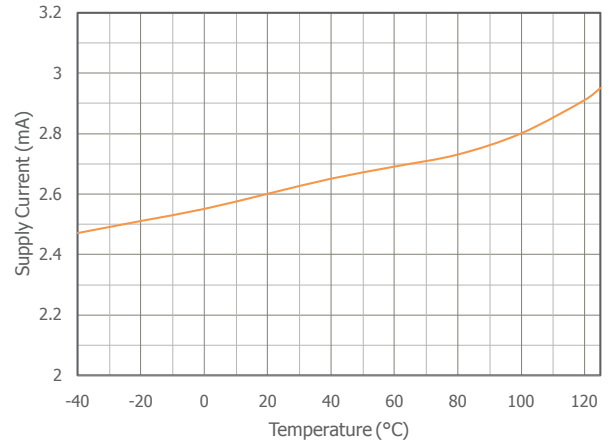
Typical Performance Characteristics

$T_A = 25^\circ\text{C}$, $+V_S = +15\text{V}$, $-V_S = -15\text{V}$, $R_f = R_g = 2\text{k}\Omega$, $R_L = 2\text{k}\Omega$ to $V_S/2$, $G = 2$; unless otherwise noted.

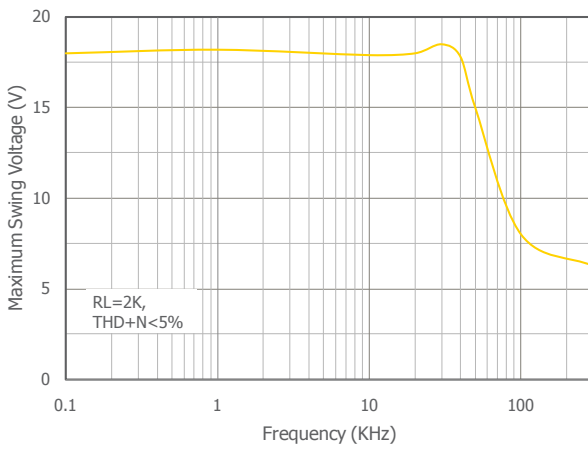
Open Loop Voltage Gain vs. Frequency



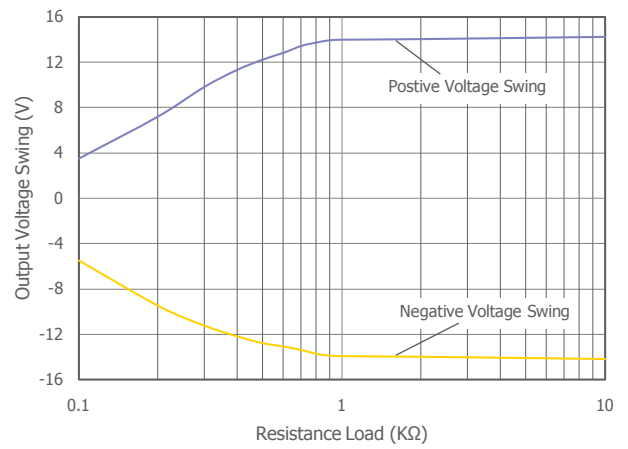
Supply Current vs. Temperature



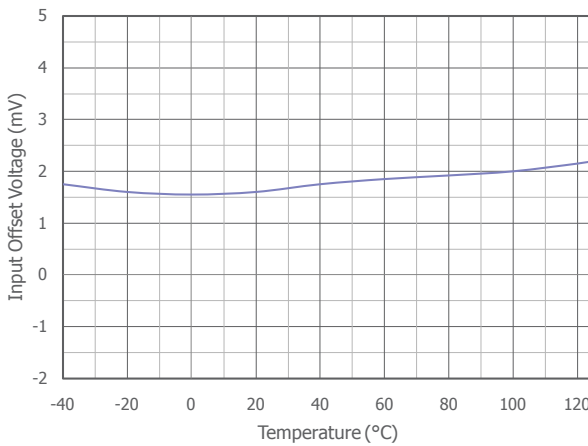
Maximum Output Voltage Swing vs. Frequency



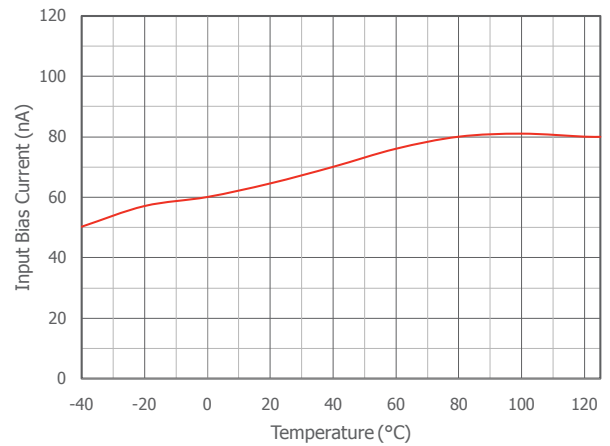
Maximum Output Voltage Swing vs. R_L



Input Offset Voltage vs. Temperature



Input Bias Current vs. Temperature

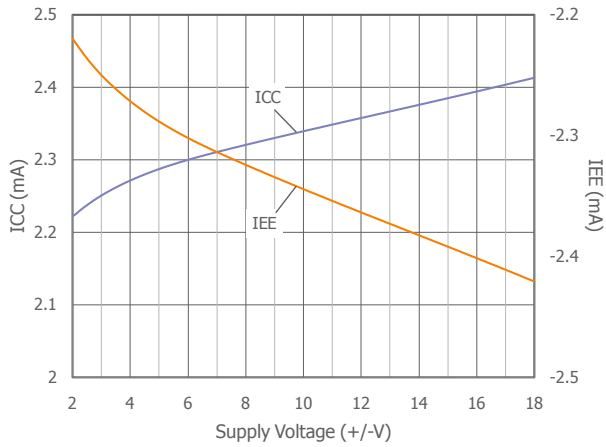




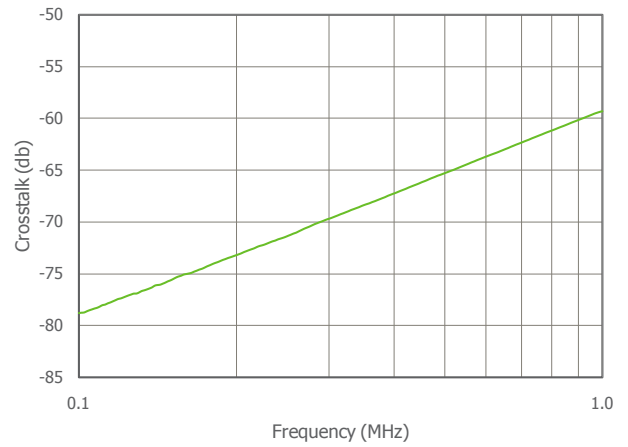
Typical Performance Characteristics

$T_A = 25^\circ\text{C}$, $+V_S = +15\text{V}$, $-V_S = -15\text{V}$, $R_f = R_g = 2\text{k}\Omega$, $R_L = 2\text{k}\Omega$ to $V_S/2$, $G = 2$; unless otherwise noted.

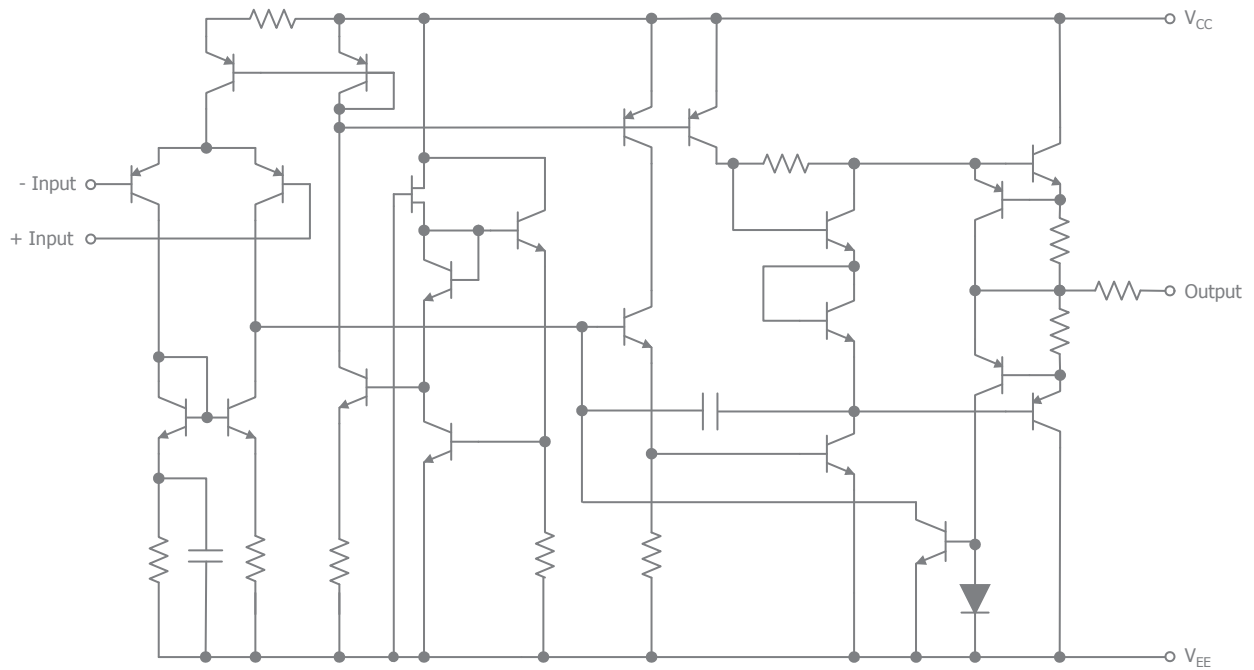
Supply Voltage vs. Supply Current



Crosstalk vs. Frequency



Functional Block Diagram





Application Information

Basic Operation

Figures 1, 2, and 3 illustrate typical circuit configurations for non-inverting, inverting, and unity gain topologies for dual supply applications. They show the recommended bypass capacitor values and overall closed loop gain equations.

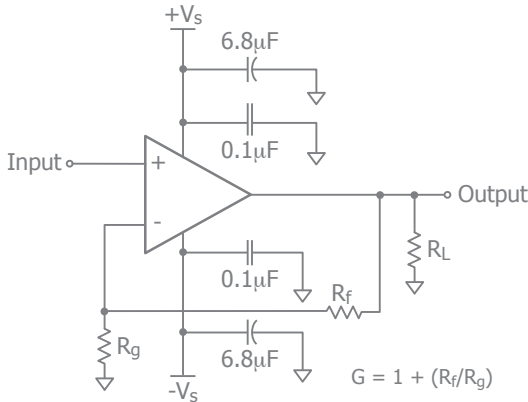


Figure 1. Typical Non-Inverting Gain Circuit

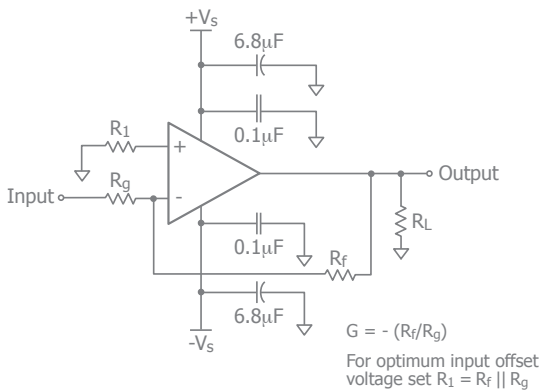


Figure 2. Typical Inverting Gain Circuit

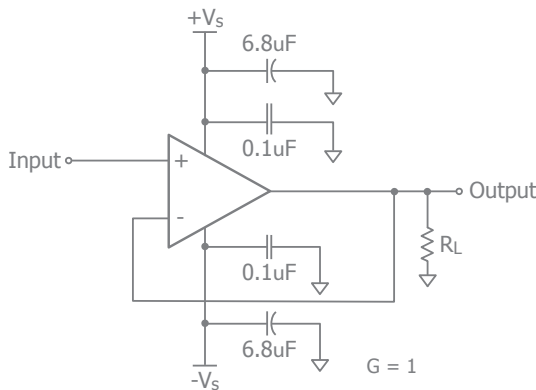


Figure 3. Unity Gain Circuit

Power Dissipation

Power dissipation should not be a factor when operating under the stated 2k ohm load condition. However, applications with low impedance, DC coupled loads should be analyzed to ensure that maximum allowed junction temperature is not exceeded. Guidelines listed below can be used to verify that the particular application will not cause the device to operate beyond its intended operating range.

Maximum power levels are set by the absolute maximum junction rating of 150°C. To calculate the junction temperature, the package thermal resistance value Θ_{JA} (Θ_{JA}) is used along with the total die power dissipation.

$$T_{\text{Junction}} = T_{\text{Ambient}} + (\Theta_{JA} \times P_D)$$

Where T_{Ambient} is the temperature of the working environment.

In order to determine P_D , the power dissipated in the load needs to be subtracted from the total power delivered by the supplies.

$$P_D = P_{\text{supply}} - P_{\text{load}}$$

Supply power is calculated by the standard power equation.

$$P_{\text{supply}} = V_{\text{supply}} \times I_{\text{RMS supply}}$$

$$V_{\text{supply}} = V_{S+} - V_{S-}$$

Power delivered to a purely resistive load is:

$$P_{\text{load}} = ((V_{\text{LOAD}})_{\text{RMS}}^2) / R_{\text{load eff}}$$

The effective load resistor ($R_{\text{load eff}}$) will need to include the effect of the feedback network. For instance,

$R_{\text{load eff}}$ in figure 3 would be calculated as:

$$R_L \parallel (R_f + R_g)$$

These measurements are basic and are relatively easy to perform with standard lab equipment. For design purposes however, prior knowledge of actual signal levels and load impedance is needed to determine the dissipated power. Here, P_D can be found from

$$P_D = P_{\text{Quiescent}} + P_{\text{Dynamic}} - P_{\text{Load}}$$

Quiescent power can be derived from the specified I_S values along with known supply voltage, V_{Supply} . Load power



can be calculated as above with the desired signal amplitudes using:

$$(V_{LOAD})_{RMS} = V_{PEAK} / \sqrt{2}$$

$$(I_{LOAD})_{RMS} = (V_{LOAD})_{RMS} / R_{load_{eff}}$$

The dynamic power is focused primarily within the output stage driving the load. This value can be calculated as:

$$P_{DYNAMIC} = (V_{S+} - V_{LOAD})_{RMS} \times (I_{LOAD})_{RMS}$$

Assuming the load is referenced in the middle of the power rails or $V_{supply}/2$.

Figure 4 shows the maximum safe power dissipation in the package vs. the ambient temperature for the packages available.

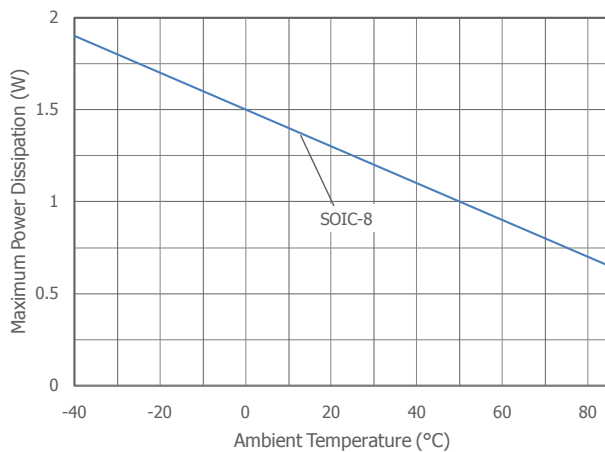


Figure 4. Maximum Power Derating

Driving Capacitive Loads

Increased phase delay at the output due to capacitive loading can cause ringing, peaking in the frequency response, and possible unstable behavior. Use a series resistance, R_S , between the amplifier and the load to help improve stability and settling performance. Refer to Figure 5.

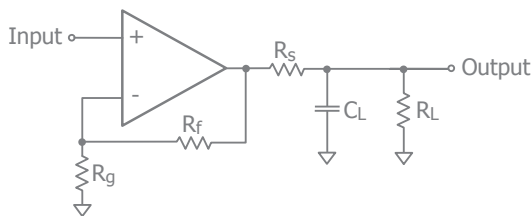


Figure 5. Addition of R_S for Driving Capacitive Loads

Overdrive Recovery

An overdrive condition is defined as the point when either one of the inputs or the output exceed their specified voltage range. Overdrive recovery is the time needed for the amplifier to return to its normal or linear operating point. The recovery time varies, based on whether the input or output is overdriven and by how much the range is exceeded. The CLC2058 will typically recover in less than 30ns from an overdrive condition. Figure 6 shows the CLC2058 in an overdriven condition.

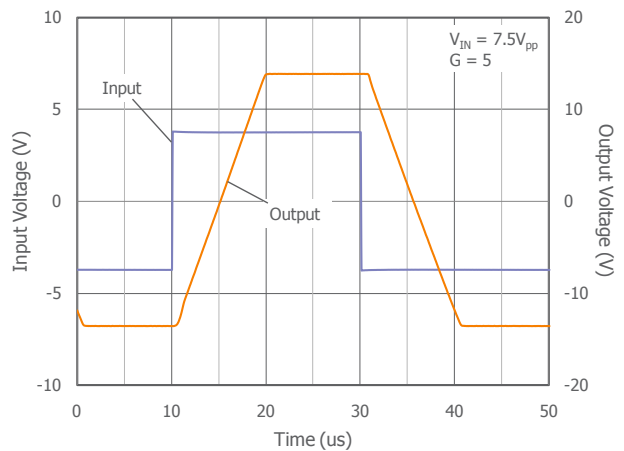


Figure 6. Overdrive Recovery

Layout Considerations

General layout and supply bypassing play major roles in high frequency performance. CADEKA has evaluation boards to use as a guide for high frequency layout and as an aid in device testing and characterization. Follow the steps below as a basis for high frequency layout:

- Include 6.8μF and 0.1μF ceramic capacitors for power supply decoupling
- Place the 6.8μF capacitor within 0.75 inches of the power pin
- Place the 0.1μF capacitor within 0.1 inches of the power pin
- Remove the ground plane under and around the part, especially near the input and output pins to reduce parasitic capacitance
- Minimize all trace lengths to reduce series inductances

Refer to the evaluation board layouts below for more information.



Evaluation Board Information

The following evaluation boards are available to aid in the testing and layout of these devices:

| Evaluation Board | Products |
|------------------|----------|
| CEB006 | CLC2058 |

Evaluation Board Schematics

Evaluation board schematics and layouts are shown in Figures 7-9. These evaluation boards are built for dual-supply operation. Follow these steps to use the board in a single-supply application:

1. Short -Vs to ground.
2. Use C3 and C4, if the -Vs pin of the amplifier is not directly connected to the ground plane.

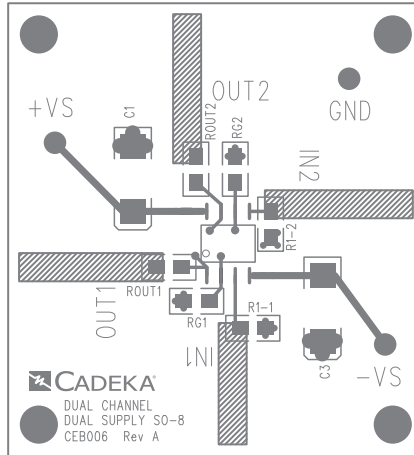


Figure 8. CEB006 Top View

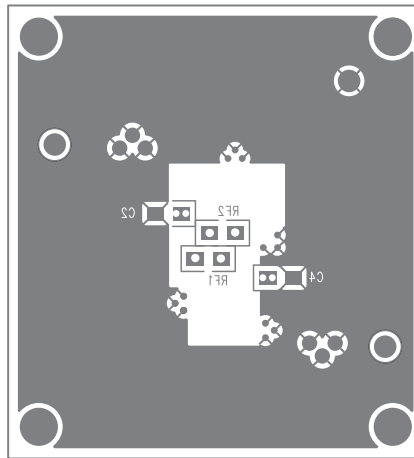


Figure 9. CEB006 Bottom View

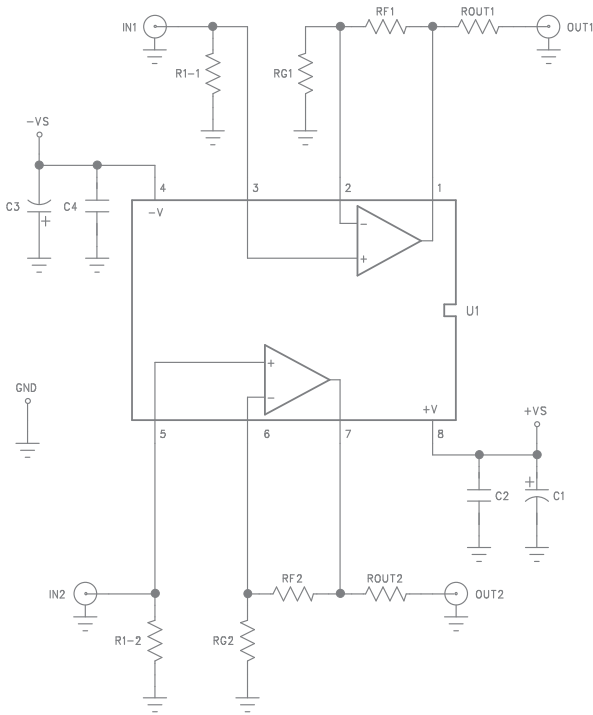


Figure 7. CEB006 Schematic



Typical Applications

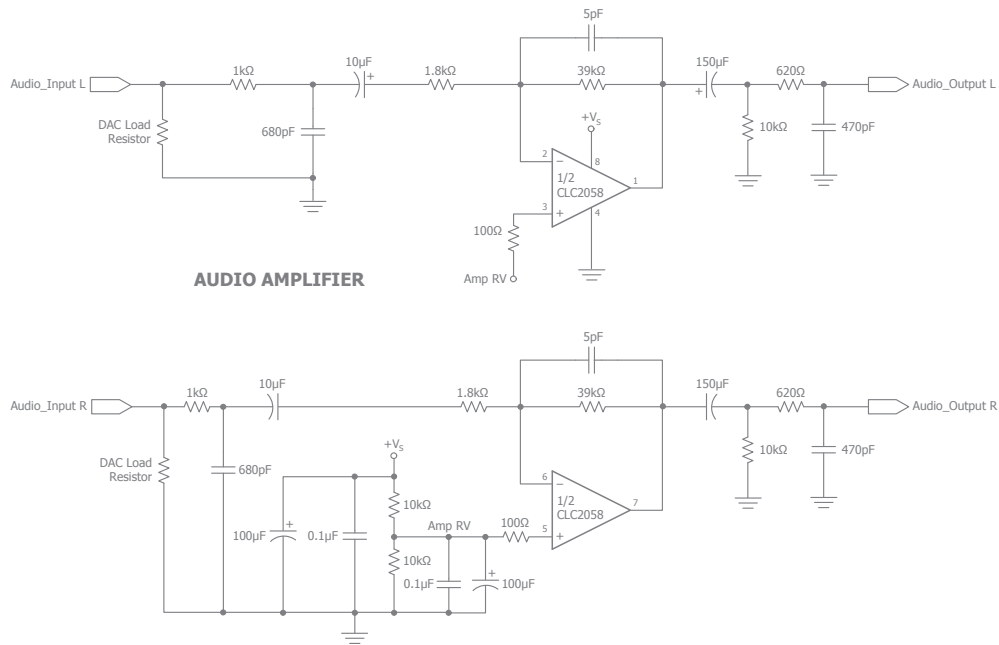


Figure 10: Typical Circuit for Filtering and Driving Audio in STB or DVD Player Applications

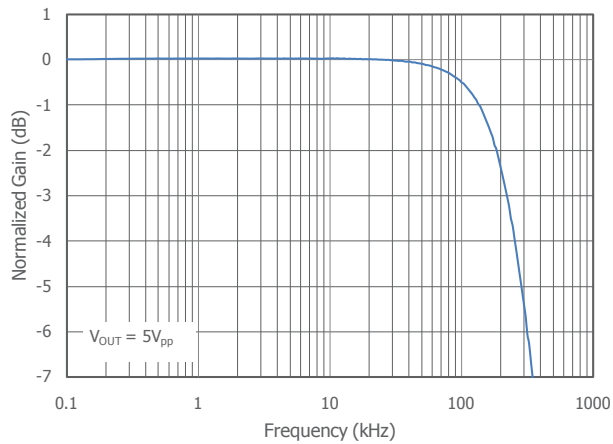


Figure 11: AC Reponse of Figure 10 ($V_5=10V$, $R_L=630\Omega$)

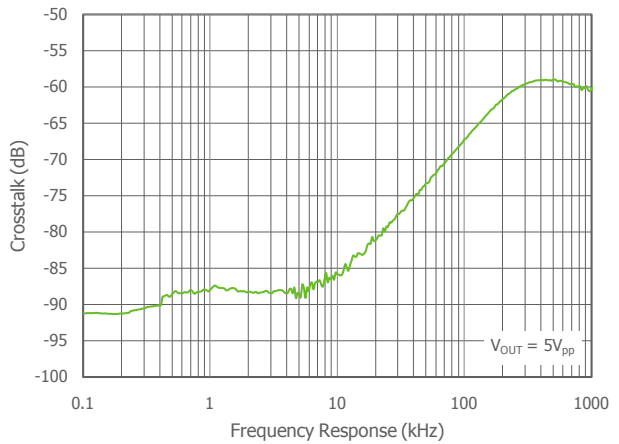
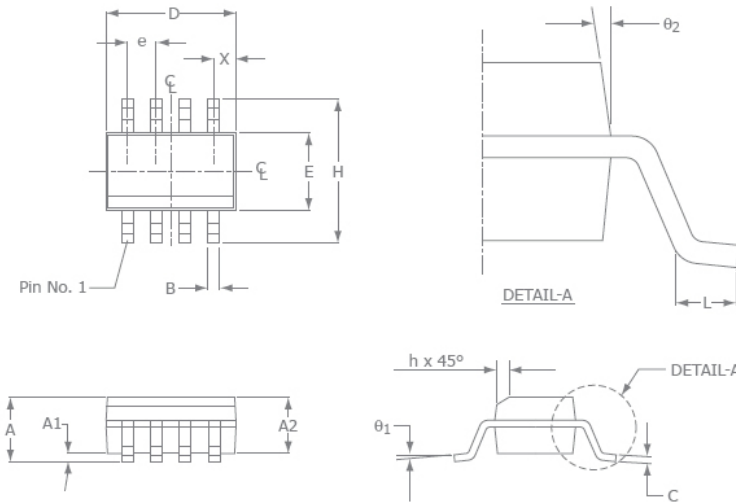


Figure 12: Cross-Talk Performance of Figure 10 ($V_5=10V$, $R_L=630\Omega$)



Mechanical Dimensions

SOIC-8 Package



| SOIC-8 | | |
|------------|----------|------|
| SYMBOL | MIN | MAX |
| A1 | 0.10 | 0.25 |
| B | 0.36 | 0.48 |
| C | 0.19 | 0.25 |
| D | 4.80 | 4.98 |
| E | 3.81 | 3.99 |
| e | 1.27 BSC | |
| H | 5.80 | 6.20 |
| h | 0.25 | 0.5 |
| L | 0.41 | 1.27 |
| A | 1.37 | 1.73 |
| θ_1 | 0° | 8° |
| X | 0.55 ref | |
| θ_2 | 7° BSC | |

NOTE:

1. All dimensions are in millimeters.
2. Lead coplanarity should be 0 to 0.1mm (0.004") max.
3. Package surface finishing: VDI 24~27
4. All dimension excluding mold flashes.
5. The lead width, B to be determined at 0.1905mm from the lead tip.

For Further Assistance:

Exar Corporation Headquarters and Sales Offices

48720 Kato Road Tel.: +1 (510) 668-7000
 Fremont, CA 94538 - USA Fax: +1 (510) 668-7001
 www.exar.com

NOTICE

EXAR Corporation reserves the right to make changes to the products contained in this publication in order to improve design, performance or reliability. EXAR Corporation assumes no responsibility for the use of any circuits described herein, conveys no license under any patent or other right, and makes no representation that the circuits are free of patent infringement. Charts and schedules contained here in are only for illustration purposes and may vary depending upon a user's specific application. While the information in this publication has been carefully checked; no responsibility, however, is assumed for inaccuracies.

EXAR Corporation does not recommend the use of any of its products in life support applications where the failure or malfunction of the product can reasonably be expected to cause failure of the life support system or to significantly affect its safety or effectiveness. Products are not authorized for use in such applications unless EXAR Corporation receives, in writing, assurances to its satisfaction that: (a) the risk of injury or damage has been minimized; (b) the user assumes all such risks; (c) potential liability of EXAR Corporation is adequately protected under the circumstances.

Reproduction, in part or whole, without the prior written consent of EXAR Corporation is prohibited.



A New Direction in Mixed-Signal

X-ON Electronics

Largest Supplier of Electrical and Electronic Components

Click to view similar products for [Operational Amplifiers - Op Amps](#) category:

Click to view products by [MaxLinear](#) manufacturer:

Other Similar products are found below :

[LM258AYDT](#) [LM358SNG](#) [430227FB](#) [UPC824G2-A](#) [LT1678IS8](#) [042225DB](#) [058184EB](#) [UPC259G2-A](#) [NTE925](#) [AZV358MTR-G1](#)
[AP4310AUMTR-AG1](#) [HA1630D02MMEL-E](#) [HA1630S01LPEL-E](#) [NJU77806F3-TE1](#) [NCV20034DR2G](#) [LM324EDR2G](#) [LM2902EDR2G](#)
[NTE778S](#) [NTE871](#) [NTE924](#) [NTE937](#) [MCP6V17T-E/MNY](#) [MCP6V19-E/ST](#) [MCP6V36UT-E/LTY](#) [MXD8011HF](#) [SCY6358ADR2G](#)
[LTC2065HUD#PBF](#) [NJM2904CRB1-TE1](#) [2SD965T-R](#) [RS6332PXK](#) [BDM8551](#) [BDM321](#) [MD1324](#) [COS8052SR](#) [COS8552SR](#) [COS8554SR](#)
[COS2353SR](#) [COS724TR](#) [ASOPD4580S-R](#) [RS321BKXF](#) [ADA4097-1HUIZ-RL7](#) [NCV4333DTBR2G](#) [EL5420CRZ-T7A](#) [AS324MTR-E1](#)
[AS358MMTR-G1](#) [MCP6472T-E/MS](#) [MCP6491T-ELTY](#) [MCP662-E/MF](#) [TLC073IDGQR](#) [TLC081AIP](#)