

ENVISIONING • EMPOWERING • EXCELLING



MxL7218
18A Dual Phase
EVB User Manual

Revision History

Document No.	Release Date	Change Description
020UMR02	10/5/20	Initial release.

Table of Contents

Introduction	1
Quick EVB Set Up and Start Up.....	1
Factory Settings	1
Quick Start Up	1
Reference Documentation	4
Ordering Information	4
Evaluation Board Overview	5
Configuration and I/O Interfaces	6
MODE.....	6
RUN1, RUN2	6
TRACK1 SEL, TRACK2 SEL	6
PHASMD	6
EXTVCC	6
TEMP	6
PGOOD1, PGOOD2.....	6
SW1, SW2.....	6
Set-Up Options	7
Jumper J44 MODE	7
Jumpers J30 RUN1 and J29 RUN2.....	7
Jumper J26 TRACK1 SEL.....	7
Jumper J25 TRACK2 SEL.....	8
Jumper J45 PHASMD	8
Test Interfaces	9
Load Transient Circuit	9
MxL7218 EVB Mode Selection.....	10
Performance	12
Efficiency	12
Load Transient Response	13
Ripple	14
Thermal	15
MxL7218EVB Schematic	16
MxL7218EVB PCB Layers	19
MxL7218EVB Bill of Materials	21

List of Figures

Figure 1: Monitoring V_{IN} and V_{OUT}	2
Figure 2: Top View of MxL7218 18A Dual Phase BGA EVB.....	3
Figure 3: Block Diagram MxL7218 Two Channel EVB.....	5
Figure 4: Load Transient Circuit.....	9
Figure 5: Mode 1 Block Diagram.....	11
Figure 6: Mode 2 Block Diagram.....	11
Figure 7: Mode 3 Block Diagram.....	11
Figure 8: Mode 4 Block Diagram.....	11
Figure 9: Mode 5 Block Diagram.....	11
Figure 10: Mode 6 Block Diagram.....	11
Figure 11: Channel 1 Measured Efficiency ($V_{OUT} = 1.5V$, $f_{SW} = 500kHz$, Ch 2 Disabled).....	12
Figure 12: Channel 2 Measured Efficiency ($V_{OUT} = 1.0V$, $f_{SW} = 500kHz$, Ch 1 Disabled).....	12
Figure 13: Channel 1 Load Transient Response ($V_{OUT} = 1.5V$, $V_{IN} = 12V$).....	13
Figure 14: Channel 2 Load Transient Response ($V_{OUT} = 1.0V$, $V_{IN} = 12V$).....	13
Figure 15: Channel 1 Output Voltage Ripple ($V_{IN} = 12V$, $V_{OUT} = 1.5V$, Load = 18A, 500kHz).....	14
Figure 16: Channel 2 Output Voltage Ripple ($V_{IN} = 12V$, $V_{OUT} = 1V$, Load = 18A, 500kHz).....	14
Figure 17: Thermal Image, No Airflow.....	15
Figure 18: EVB Schematic.....	16
Figure 19: EVB Schematic, Continued.....	17
Figure 20: EVB Schematic, Continued.....	18
Figure 21: EVB PCB BGA Silkscreen Top.....	19
Figure 22: EVB PCB BGA Layer 1.....	19
Figure 23: EVB PCB BGA Layer 2.....	19
Figure 24: EVB PCB BGA Layer 3.....	19
Figure 25: EVB PCB BGA Layer 4.....	20
Figure 26: EVB PCB BGA Layer 5.....	20
Figure 27: EVB PCB BGA Layer 6.....	20
Figure 28: EVB PCB BGA Silkscreen Bottom.....	20

List of Tables

Table 1: Evaluation Board Ordering Part Number	4
Table 2: Factory Settings.....	7
Table 3: J44 Options	7
Table 4: J30, J29 Options.....	7
Table 5: J26 Options	7
Table 6: J25 Options	8
Table 7: J45 Options	8
Table 8: Board Stuffing for Operation Mode Selection	10
Table 9: EVB BGA Bill of Materials	21

Introduction

The MxL7218 evaluation board provides a platform to evaluate the features and performance of the MxL7218. The MxL7218 is a dual 18A Power Module optimized for powering Telecom, Networking and Industrial equipment. This EVB board supports 3 options: MxL7225, MxL7225-1, and MxL7218. This manual covers the 18A Dual Phase BGA Evaluation Board for the MxL7218 Power Module.

Quick EVB Set Up and Start Up

Factory Settings

In addition to utilizing the 4.5V to 15V input voltage range and dual 18A maximum load current rating capabilities of the MxL7218 Power Module, the Evaluation Board has been set up with the factory default configurations shown below for quick set up and operation. **Do not exceed the EVB maximum load current rating.**

The factory default configuration ([Table 2](#)) for the MxL7218 Evaluation Board is:

- $V_{OUT1} = 1.5V \pm 1.5\%$
- $V_{OUT2} = 1.0V \pm 1.5\%$
- 500kHz Switching Frequency
- CCM mode. For other modes, see [Jumper J44 MODE](#).
- Run is enabled for both channels. See [Jumpers J30 RUN1 and J29 RUN2](#).
- Soft-start is selected for both channels. See [Jumper J26 TRACK1 SEL](#) and [Jumper J25 TRACK2 SEL](#).
- CLKOUT phase is 90 degrees, see [Jumper J45 PHASMD](#).

Quick Start Up

To quickly see the regulator in operation:

1. Use the factory settings and default configuration. If other settings or components are desired, apply them before the next steps and see [Set-Up Options](#) for more.
2. Connect a turned-off power supply that is within a V_{IN} specification of 4.5V to 15V, (12V typical) to VIN and GND with short, thick leads. Use test pins VIN+ and VIN- to monitor VIN and GND respectively. See locations in [Figure 1](#).
3. For the channel 1 output, connect an electronic load initially set to 0A, that will be no more than the above maximum I_{OUT} (18A), to VOUT1 and GND with short / thick leads. Use test pins VOUT1 (J52) and VOUT1_GND (J60) to monitor VOUT1 and GND respectively. See locations in [Figure 1](#).
4. For the channel 2 output, connect an electronic load initially set to 0A, that will be no more than the above maximum I_{OUT} (18A), to VOUT2 and GND with short, thick leads. Use test pins VOUT2 (J53) and VOUT2_GND (J61) to monitor VOUT2 and GND respectively. See locations in [Figure 1](#).
5. Turn on the power supply and check V_{OUT} of both channels. The EVB will power up and (factory default) regulate the channel 1 output at $1.5V \pm 1.5\%$ (1.4775V to 1.5225V) and channel 2 output at $1.0V \pm 1.5\%$ (0.985V to 1.015V). Output ripple should be measured across the output capacitors for each channel: C8 for VOUT1 and C22 for VOUT2. The test points J52 and J53 can be used to monitor the VOUT1 and VOUT2 outputs, respectively.
6. Set or vary the load (do not exceed the maximum I_{OUT}) and check V_{OUT} and other desired performance levels such as regulation and efficiency.

See [Configuration and I/O Interfaces](#) and [Load Transient Circuit](#) for more on testing and monitoring. For Single Rail Dual Phase 36A Operation and to vary V_{OUT} see [MxL7218 EVB Mode Selection](#).

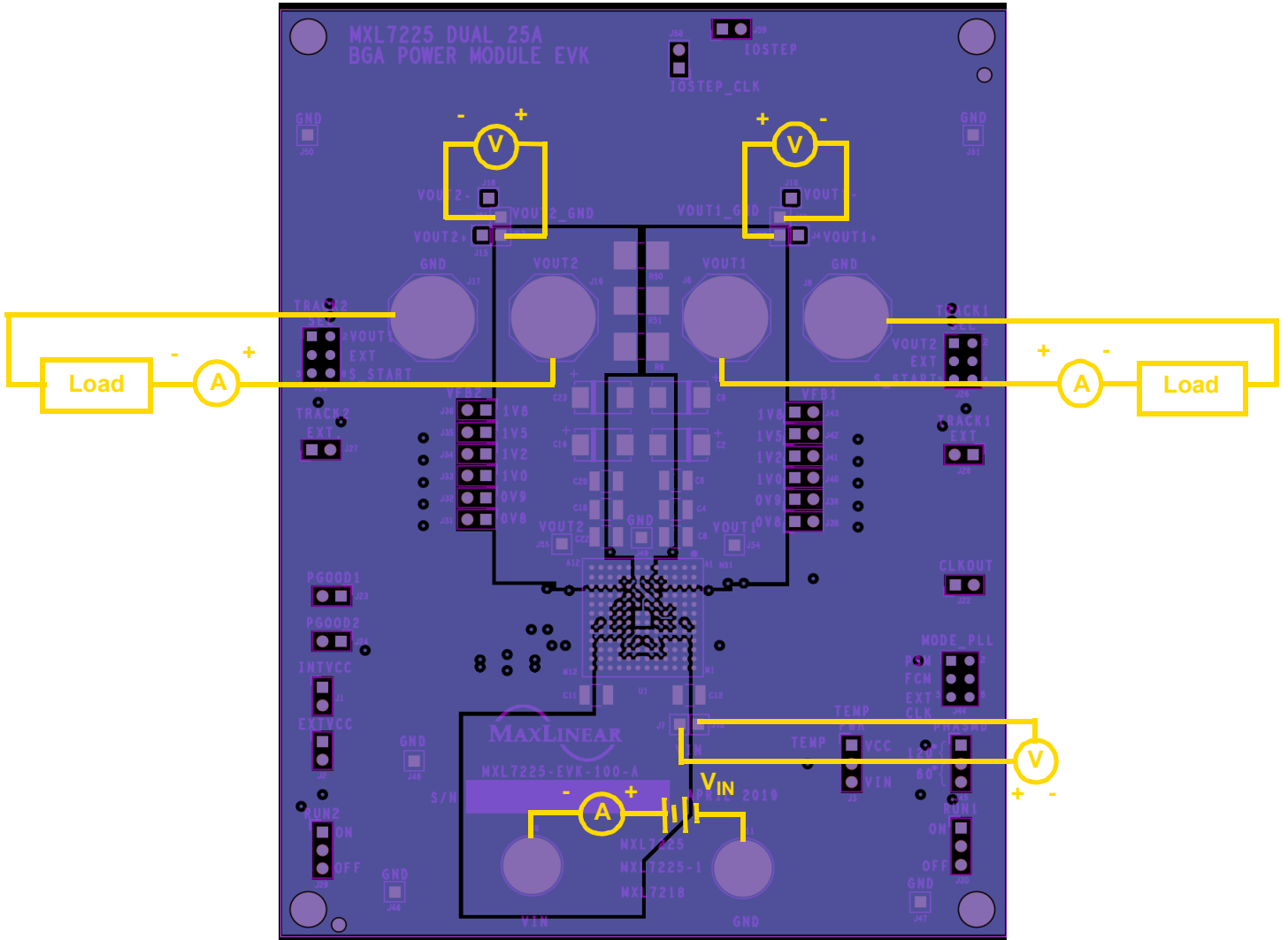


Figure 1: Monitoring V_{IN} and V_{OUT}

Reference Documentation

Please refer to the [MxL7218 Data Sheet](#) for additional information about the MxL7218, including efficiency curves for this configuration with $V_{IN} = 12V$. The datasheet also includes a full list of IC features, pinout, pin descriptions, typical performance characteristics and external component calculations. This manual is meant to be used in conjunction with the datasheet.

This manual provides EVB schematics, PCB layout and bill of materials that can be utilized to assist in your board design. The schematics are also available on the MxL7218 product page.

Ordering Information

Table 1: Evaluation Board Ordering Part Number

Power Module	Evaluation Board	Description
MxL7218-ABA-T	MxL7218-EVK-1	MxL7218 BGA Evaluation Board, Single Device, Dual Output

1. Refer to www.maxlinear.com/MxL7218 for most up-to-date Ordering Information.

Evaluation Board Overview

The block diagram shown in **Figure 3** illustrates the connection points for the VIN, VOUT1, VOUT2, TRACK, MODE_PLL and RUN pins.

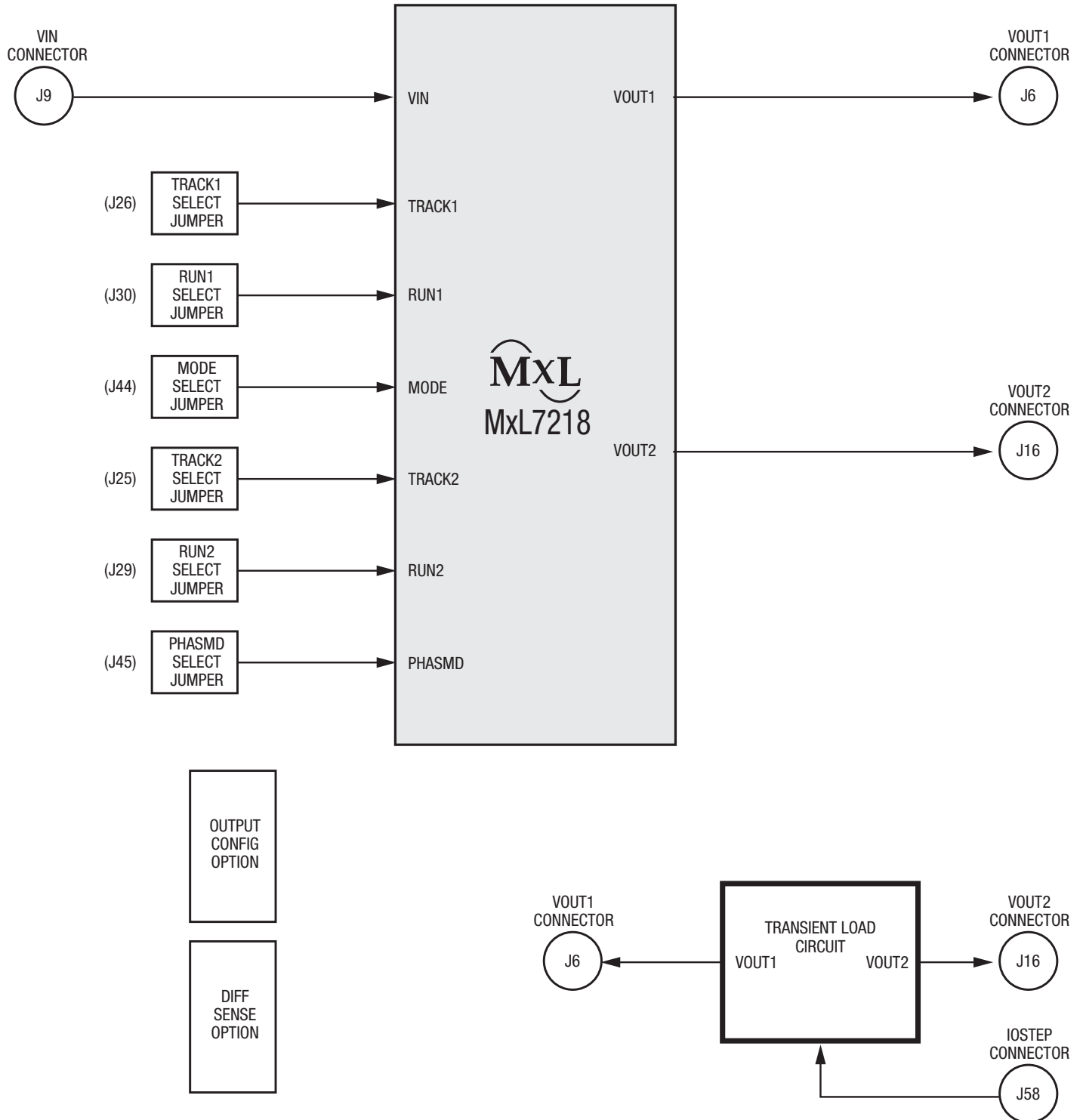


Figure 3: Block Diagram MxL7218 Two Channel EVB

Configuration and I/O Interfaces

MODE

The MODE (J44) jumper is provided for overall device configuration:

Force Continuous Mode, Pulse-Skipping Mode and External Synchronization are selectable.

RUN1, RUN2

A RUN jumper is provided for both channels (J30 for RUN1 and J29 for RUN2).

TRACK1 SEL, TRACK2 SEL

A TRACK jumper is provided for both channels.

VOOUT, EXT and SOFTSTART are selectable.

Test points are allocated for probing of TRACK1 (J26) and TRACK2 (J25).

PHASMD

A CLKOUT (J45) jumper is provided for clock phase selection.

60, 90 or 120 degrees of phase offset is configurable.

EXTVCC

An EXTVCC test point (J2) is provided to monitor or inject EXTVCC.

TEMP

A TEMP test point (J3) is provided to monitor temperature.

PGOOD1, PGOOD2

A PGOOD test point is provided for both channels (J24 for PGOOD1 and J23 for PGOOD2).

Both PGOOD signals are tied to INTVCC through 10kΩ resistors.

Note: The silkscreen on the evaluation board is reversed for PGOOD1 and PGOOD2.

SW1, SW2

A SW test point is provided for both switching signals (TP1 for SW1 and TP2 for SW2).

Set-Up Options

Jumpers are factory installed per Table 2 to configure the EVB for operation. Jumper and testing options are described in the next sections. Refer to the product datasheet for additional information.

Table 2: Factory Settings

Jumper	Label	Factory Setting	Description
J44	MODE	Jumper 3-4	FCM
J30	RUN1	Jumper 1-2	On
J29	RUN2	Jumper 1-2	On
J26	TRACK1	Jumper 5-6	Soft-Start
J25	TRACK2	Jumper 5-6	Soft-Start
J45	PHASMD	No Jumper	90°

Jumper J44 MODE

Table 3: J44 Options

Jumper Options	Description
Jumper 1-2	PSM - Pulse Skipping Mode.
Jumper 3-4	FCM - Force Continuous Mode.
Pin 6	Apply an external clock to pin 6 to put both channels into continuous mode, synchronized to the applied clock.

Jumpers J30 RUN1 and J29 RUN2

Table 4: J30, J29 Options

Jumper Options	Description
Jumper 1-2	On. RUN1/2 connected to VIN.
Jumper 2-3	Off. RUN1/2 connected to GND.

Jumper J26 TRACK1 SEL

Table 5: J26 Options

Jumper Options	Description
Jumper 1-2	V _{OUT2} master track mode.
Jumper 3-4	External master track mode.
Jumper 5-6	Soft start. Track1 connected to cap to GND.

Jumper J25 TRACK2 SEL

Table 6: J25 Options

Jumper Options	Description
Jumper 1-2	V _{OUT1} master track mode.
Jumper 3-4	External master track mode.
Jumper 5-6	Soft start. Track1 connected to cap to GND.

Jumper J45 PHASMD

Table 7: J45 Options

Jumper Options	Description
Jumper 1-2	120°
No Jumper	90°
Jumper 2-3	60°

Test Interfaces

Load Transient Circuit

A load transient circuit is provided to allow optional testing of load transients. The IOSTEP clock input is used to drive the transient signal. The load step generated by the FET (Q1) is very fast; the step slew rate is $>40\text{A}/\mu\text{s}$ for a 9A transient load test case.

To measure load transient response for either channel, use the circuit shown in Figure 4. To test CH1, populate R56 and depopulate R57 and apply a small duty cycle pulse signal to IOSTEP CLK input ($\sim 1\%$). Adjust the amplitude of the IOSTEP CLK pulse to set the load current. Start at a pulse amplitude of 2V and increase while monitoring the IOSTEP (J59) voltage. The load current at IOSTEP (J59) is 10mV/A. For an example, a 9A load will occur when a 90mV pulse is observed at J59.

To test load transient response on CH2, depopulate R56 and populate R57 and repeat procedure.

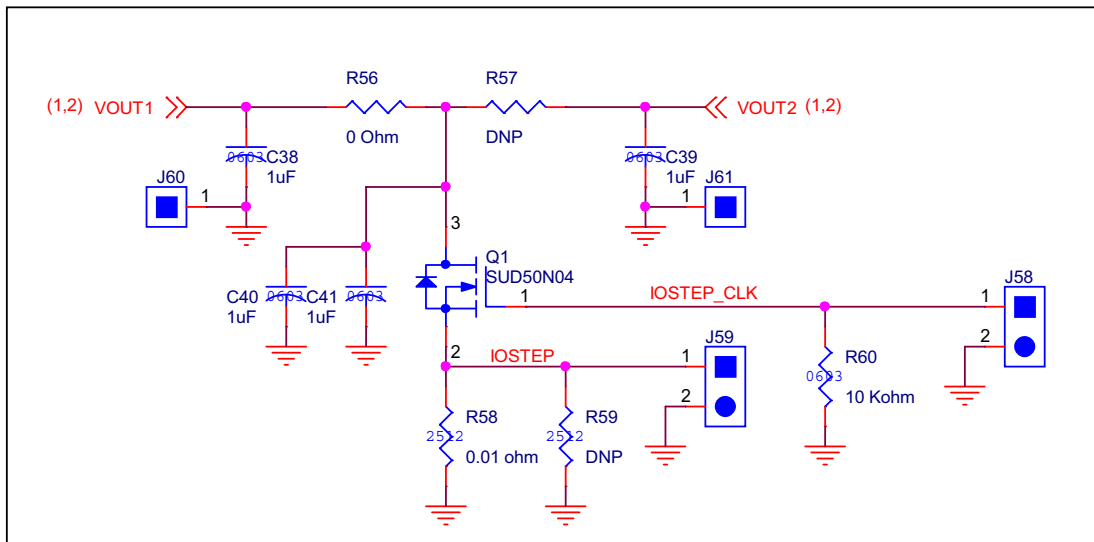


Figure 4: Load Transient Circuit

MxL7218 EVB Mode Selection

The MxL7218 EVB can be configured for 6 different modes of operation:

- Mode 1: Dual 18A with no remote sense amplifier
- Mode 2: Dual 18A with remote sense amplifier on V_{OUT1}
- Mode 3: Dual 18A with remote sense amplifier on V_{OUT2}
- Mode 4: Single 36A with no remote sense amplifier
- Mode 5: Single 36A with remote sense amplifier on V_{OUT1}
- Mode 6: Single 36A with remote sense amplifier on V_{OUT2}

The stuffing options to configure the EVB into each of the 6 modes are shown below with the block diagram for each mode on the next page.

Table 8: Board Stuffing for Operation Mode Selection

Pin Function	Component	Mode 1 Dual Rail Single Phase Diff Amp NC	Mode 2 Dual Rail Single Phase Diff Amp V_{OUT1}	Mode 3 Dual Rail Single Phase Diff Amp V_{OUT2}	Mode 4 Single Rail Dual Phase Diff Amp NC	Mode 5 Single Rail Dual Phase Diff Amp V_{OUT1}	Mode 6 Single Rail Dual Phase Diff Amp V_{OUT2}
Single Rail	R5	DNP	DNP	DNP	0Ω	0Ω	0Ω
	R50	DNP	DNP	DNP	0Ω	0Ω	0Ω
	R51	DNP	DNP	DNP	0Ω	0Ω	0Ω
VOU1S1	R4	0Ω	DNP	0Ω	0Ω	DNP	DNP
VOU2S2	R7	0Ω	0Ω	DNP	DNP	DNP	DNP
DIFFP (VOUT1+)	R34	DNP	0Ω	DNP	DNP	0Ω	DNP
DIFFP (VOUT2+)	R40	DNP	DNP	0Ω	DNP	DNP	0Ω
DIFFN (VOUT1-)	R54	DNP	0Ω	DNP	DNP	0Ω	DNP
DIFFN (VOUT2-)	R55	DNP	DNP	0Ω	DNP	DNP	0Ω
DIFFOUT (VOU1S1+)	R41	DNP	0Ω	DNP	DNP	0Ω	DNP
DIFFOUT (VOU2S2+)	R42	DNP	DNP	0Ω	DNP	DNP	0Ω
TRACK	R45	DNP	DNP	DNP	0Ω	0Ω	0Ω
TRACK1	J26 (5-6)	On	On	On	On	On	On
TRACK2	J25 (5-6)	On	On	On	Off	Off	Off
RUN	R43	DNP	DNP	DNP	0Ω	0Ω	0Ω
COMP	R44	DNP	DNP	DNP	0Ω	0Ω	0Ω
PGOOD	R47	DNP	DNP	DNP	0Ω	0Ω	0Ω
VFB	R46	DNP	DNP	DNP	0Ω	0Ω	0Ω

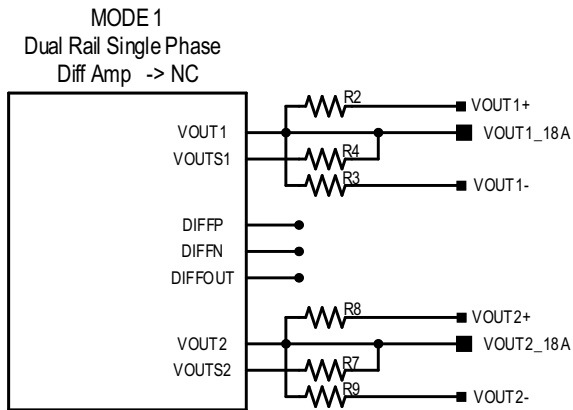


Figure 5: Mode 1 Block Diagram

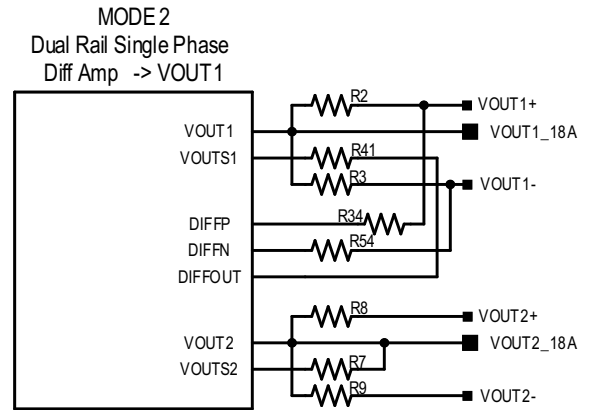


Figure 6: Mode 2 Block Diagram

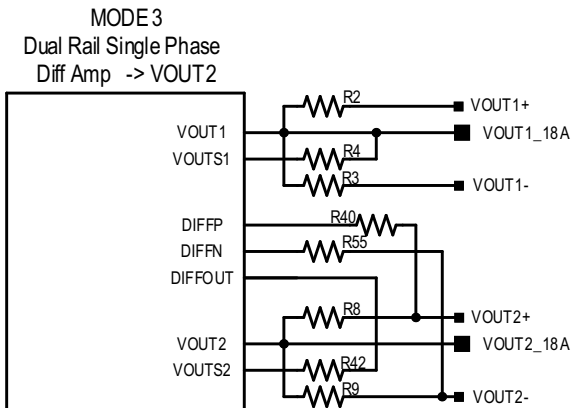


Figure 7: Mode 3 Block Diagram

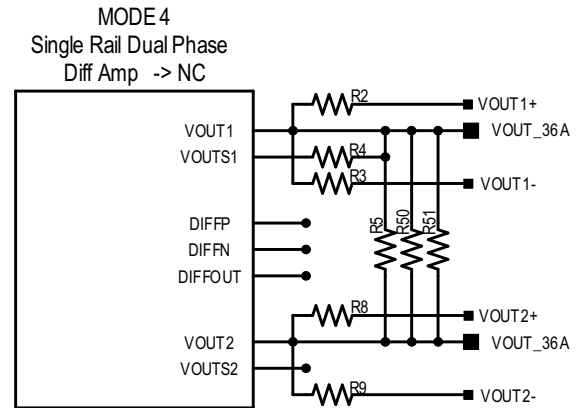


Figure 8: Mode 4 Block Diagram

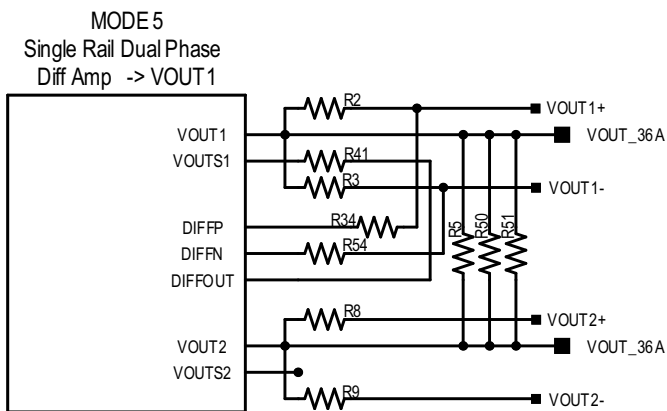


Figure 9: Mode 5 Block Diagram

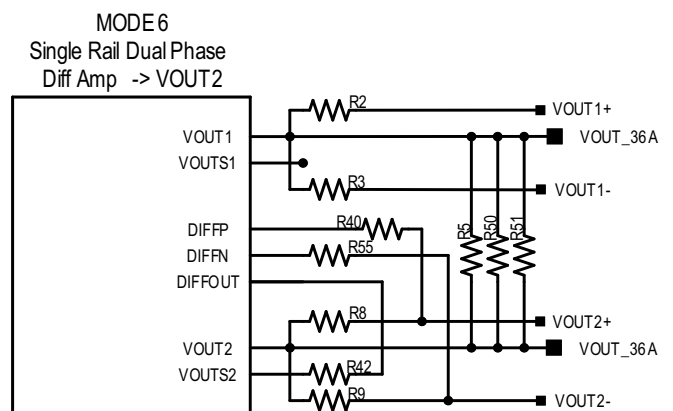


Figure 10: Mode 6 Block Diagram

Performance

Efficiency

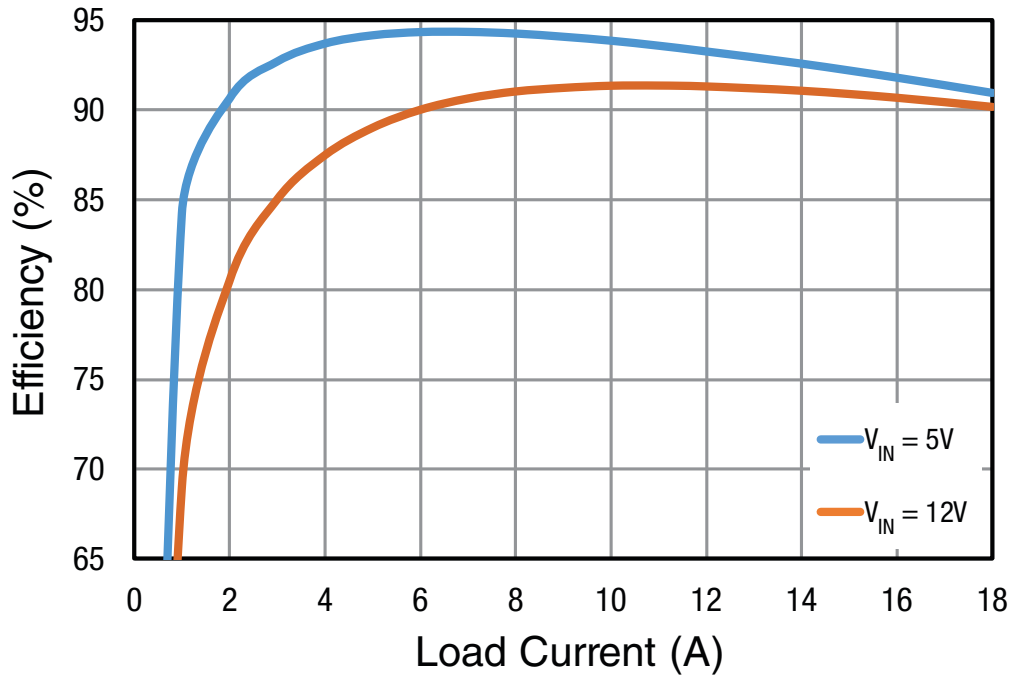


Figure 11: Channel 1 Measured Efficiency ($V_{OUT} = 1.5V$, $f_{SW} = 500kHz$, Ch 2 Disabled)

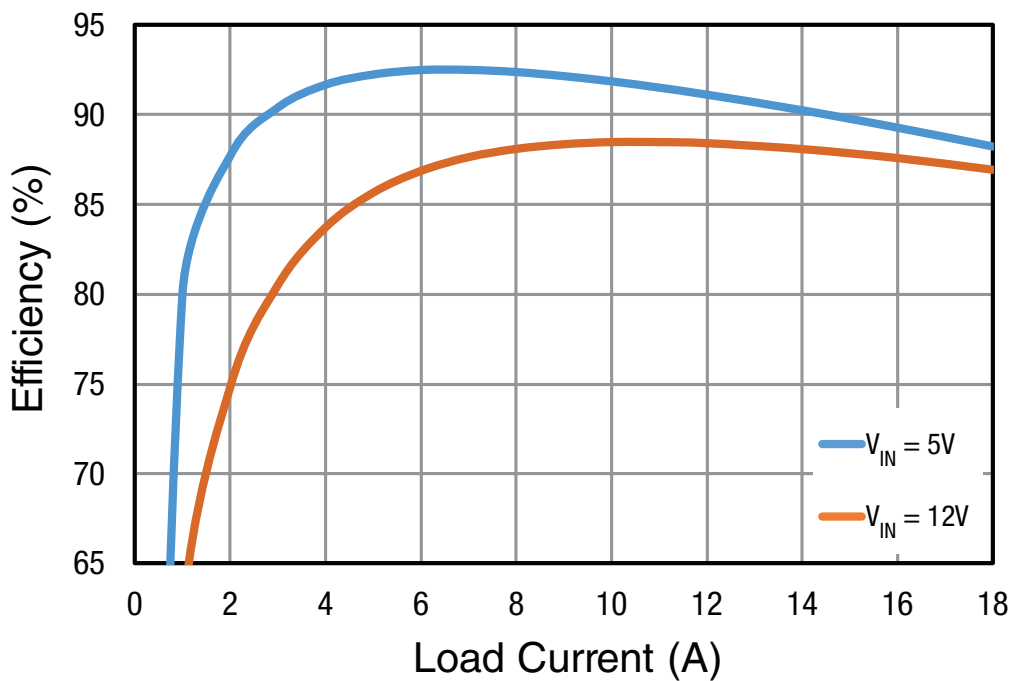


Figure 12: Channel 2 Measured Efficiency ($V_{OUT} = 1.0V$, $f_{SW} = 500kHz$, Ch 1 Disabled)

Load Transient Response

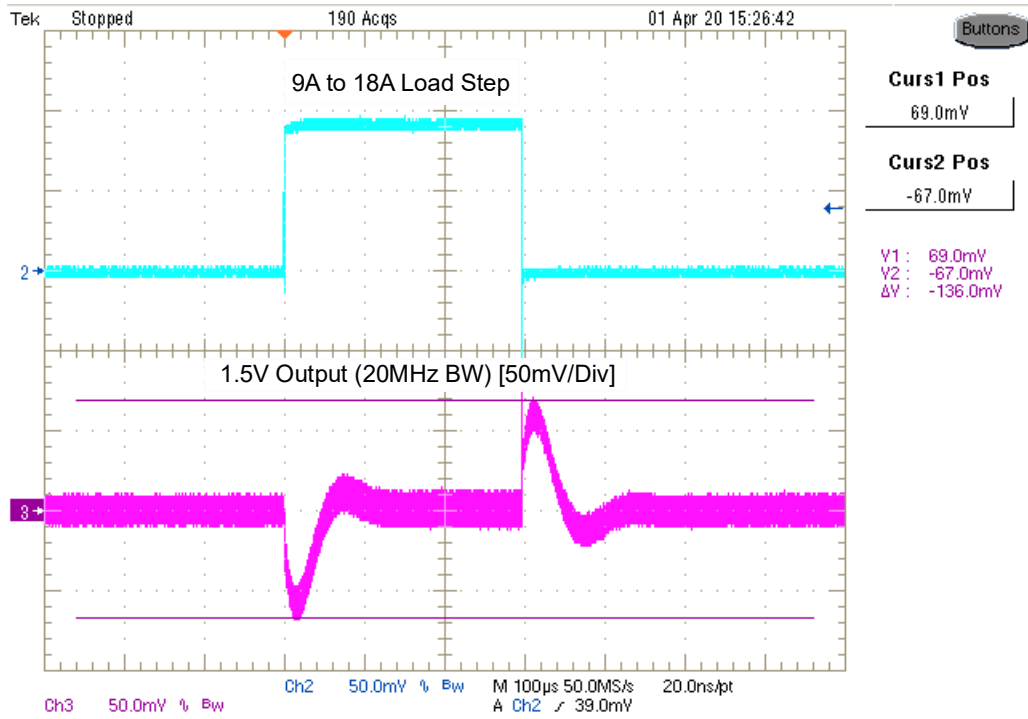


Figure 13: Channel 1 Load Transient Response ($V_{OUT} = 1.5V$, $V_{IN} = 12V$)

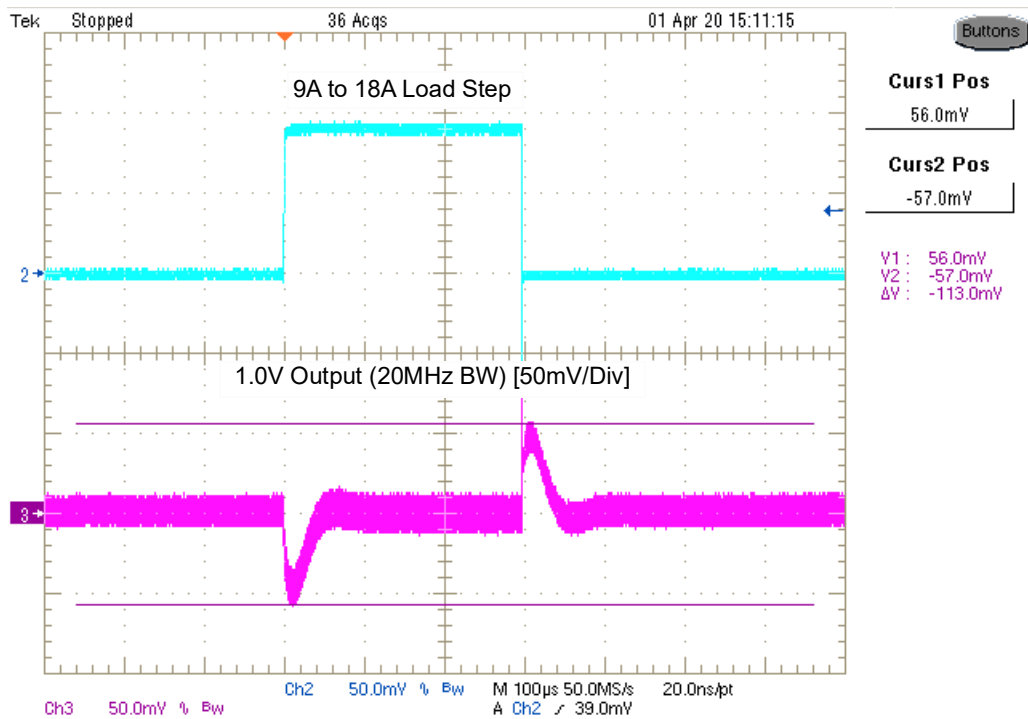


Figure 14: Channel 2 Load Transient Response ($V_{OUT} = 1.0V$, $V_{IN} = 12V$)

Ripple

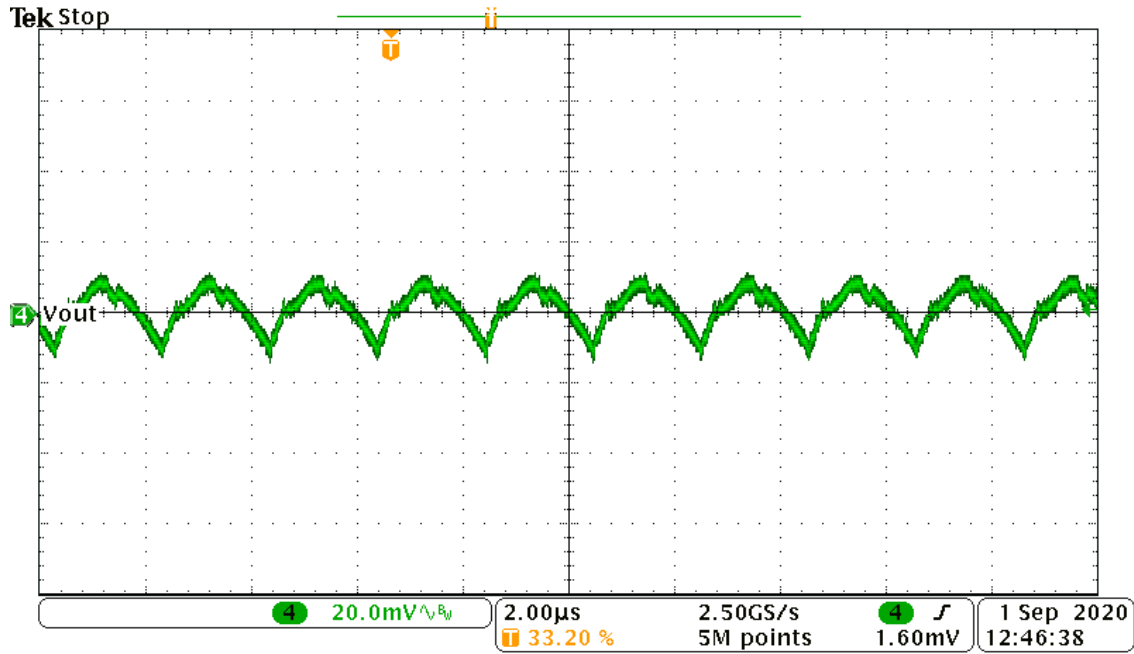


Figure 15: Channel 1 Output Voltage Ripple ($V_{IN} = 12V$, $V_{OUT} = 1.5V$, Load = 18A, 500kHz)

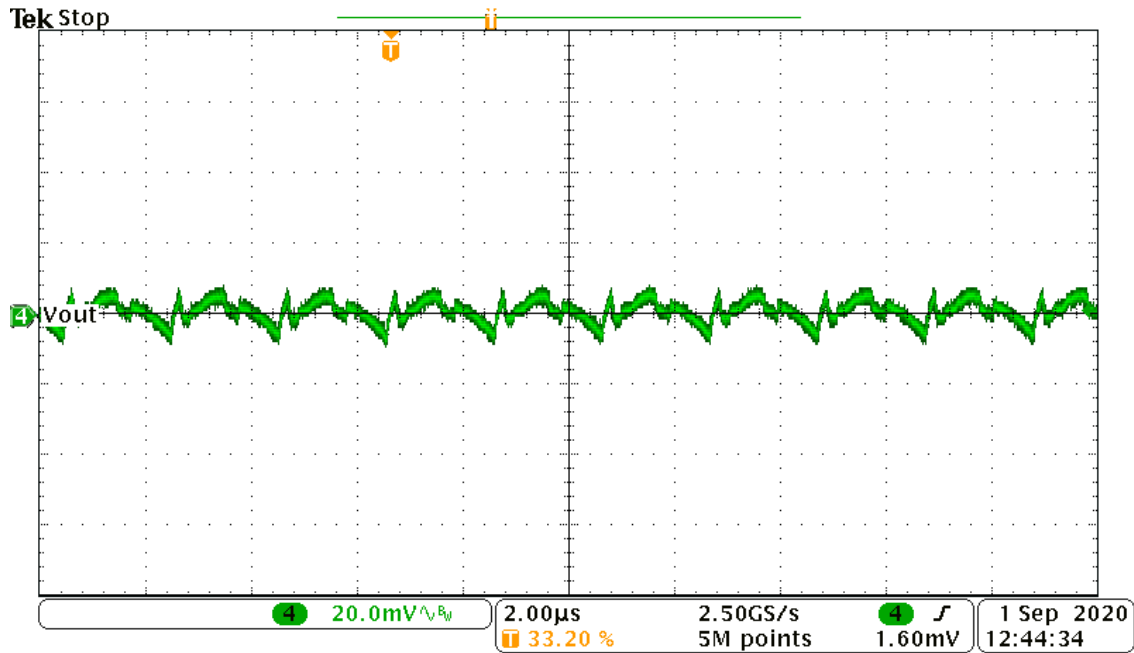


Figure 16: Channel 2 Output Voltage Ripple ($V_{IN} = 12V$, $V_{OUT} = 1V$, Load = 18A, 500kHz)

Thermal

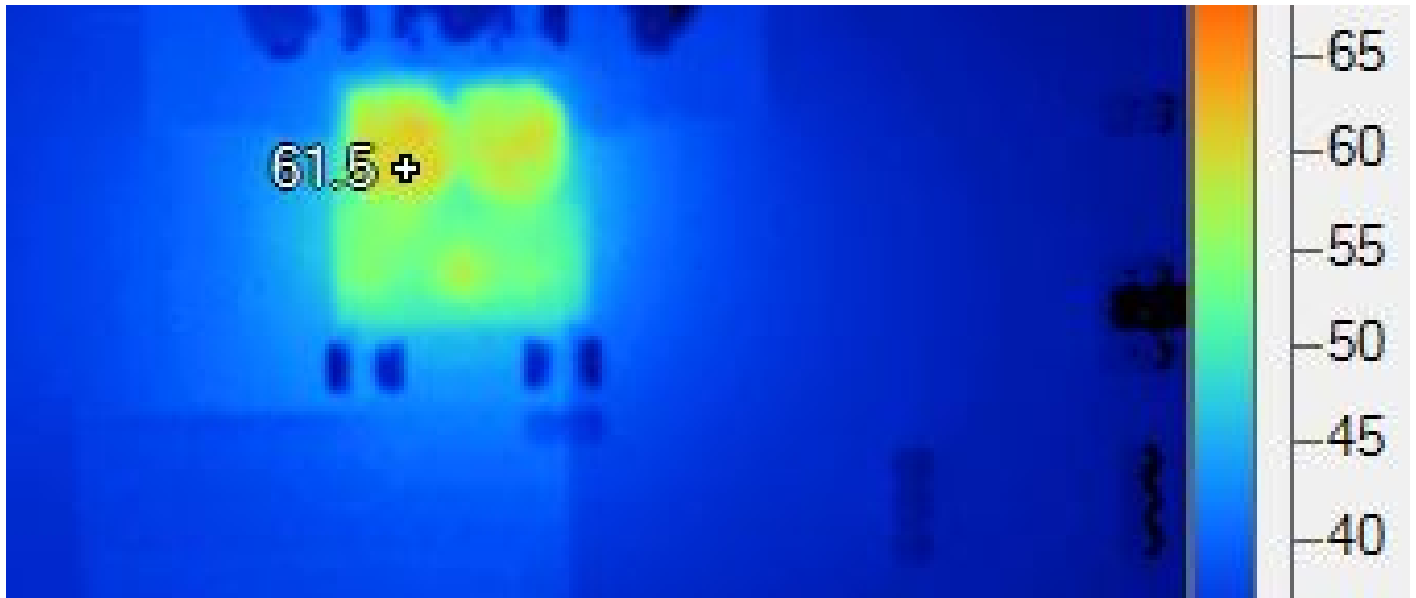


Figure 17: Thermal Image, No Airflow

MxL7218EVB Schematic

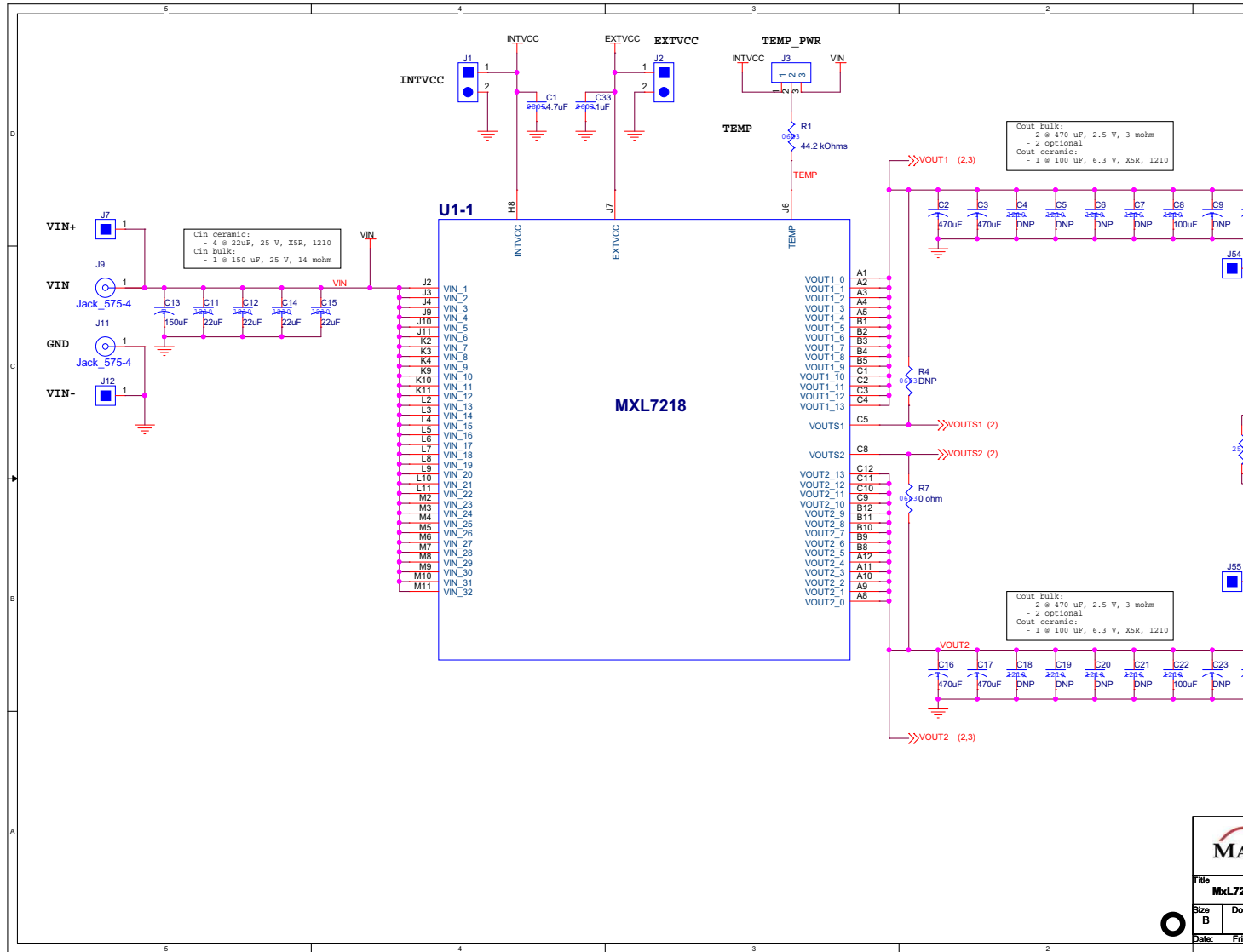


Figure 18: EVB Schematic

MxL7218 18A Dual Phase EVB User Manual

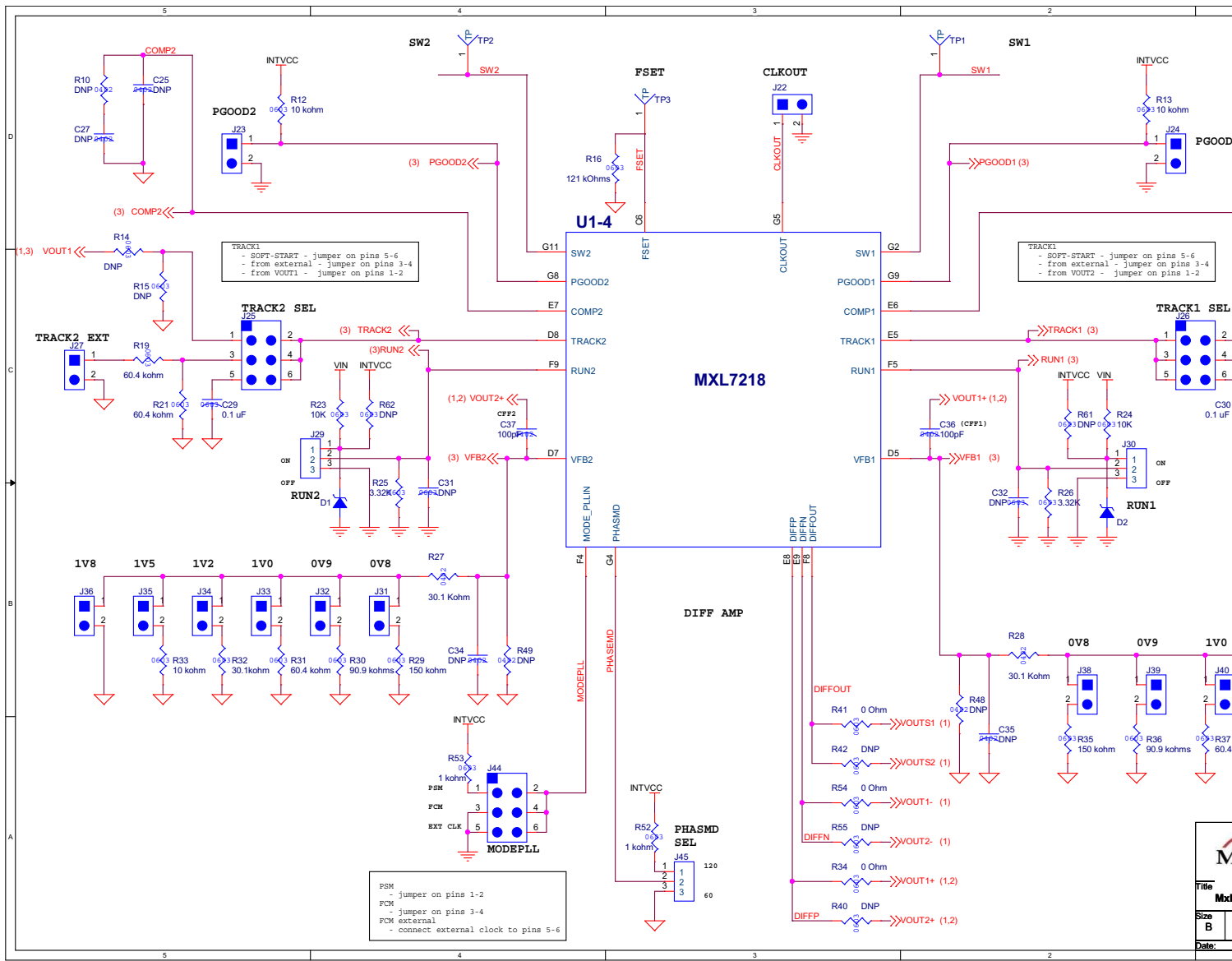


Figure 19: EVB Schematic, Continued

MxL7218 18A Dual Phase EVB User Manual

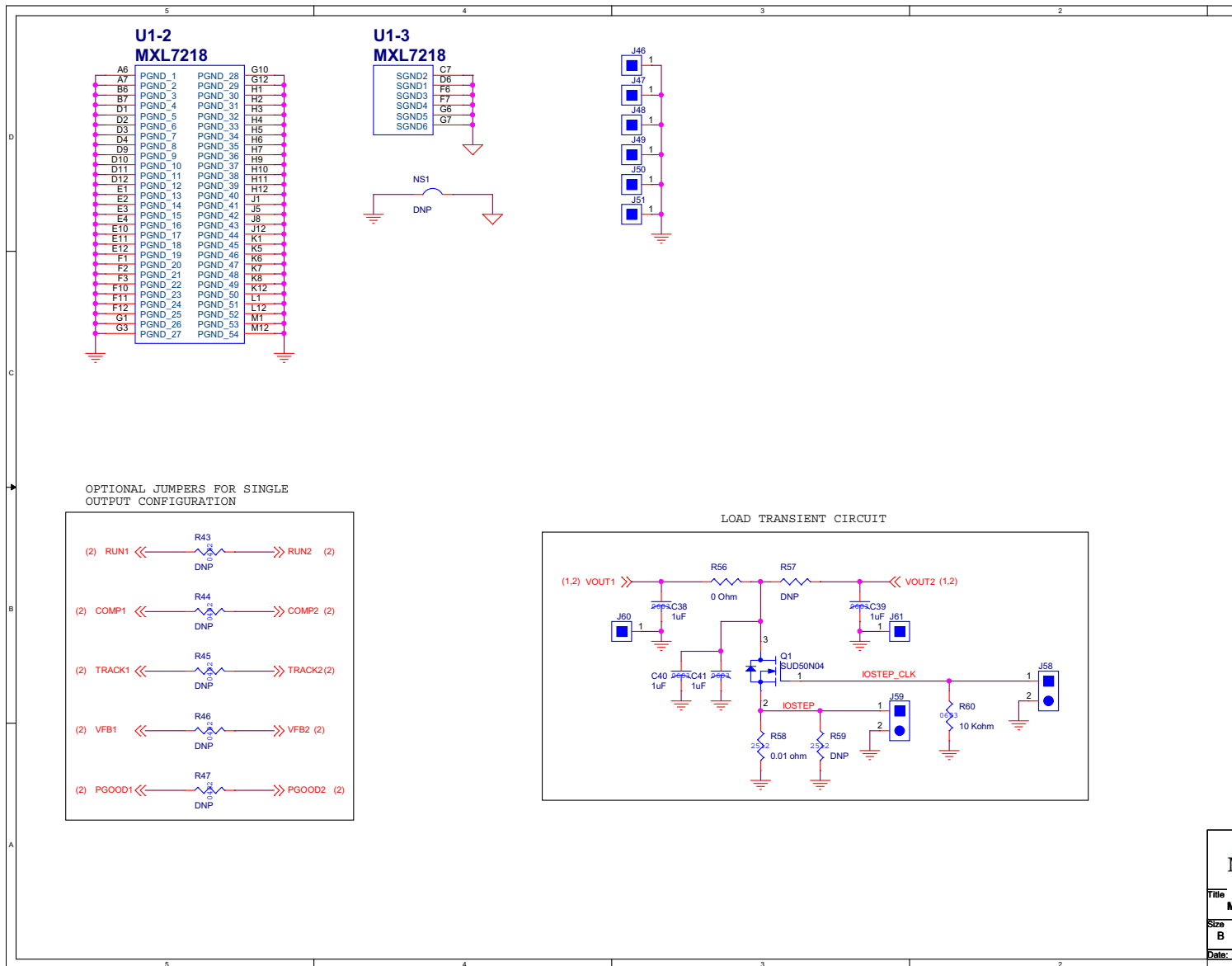


Figure 20: EVB Schematic, Continued

MxL7218EVB PCB Layers

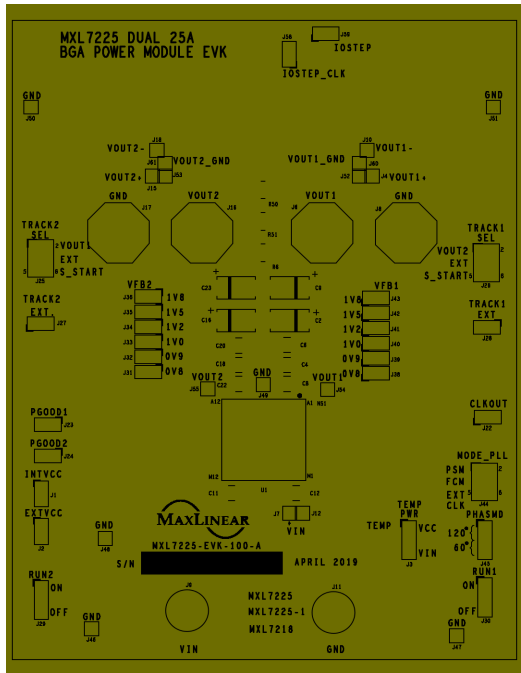


Figure 21: EVB PCB BGA Silkscreen Top

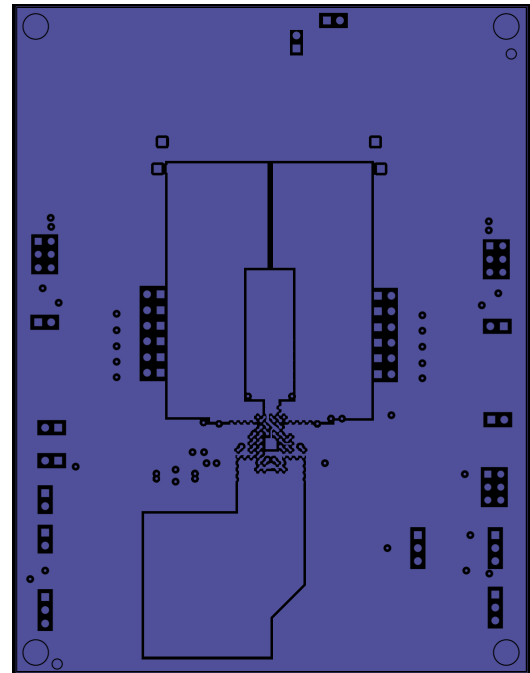


Figure 22: EVB PCB BGA Layer 1

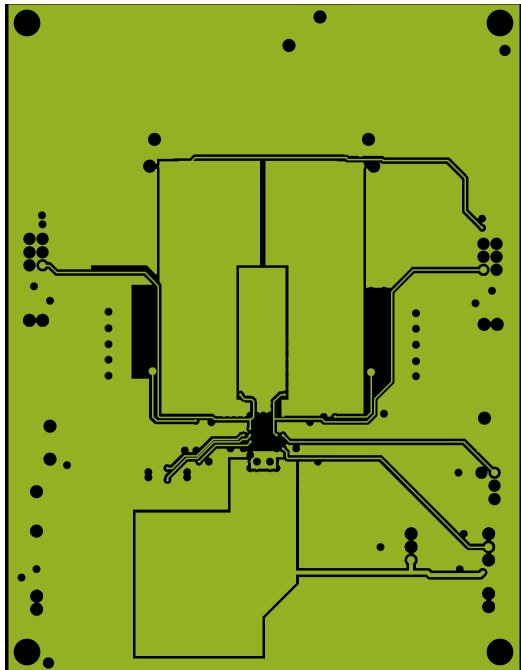


Figure 23: EVB PCB BGA Layer 2

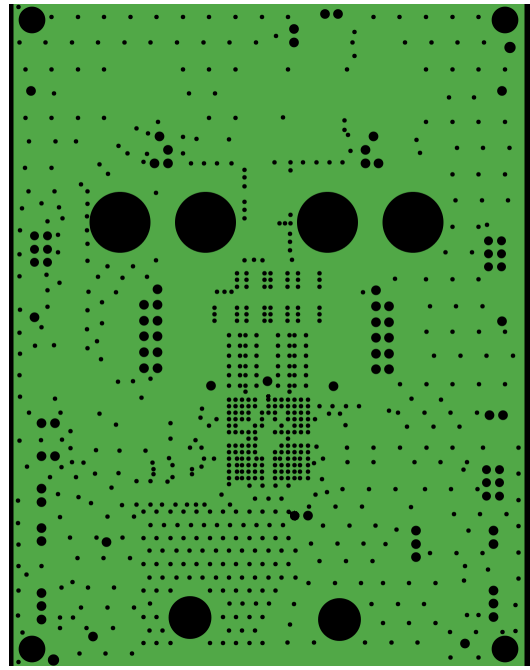


Figure 24: EVB PCB BGA Layer 3

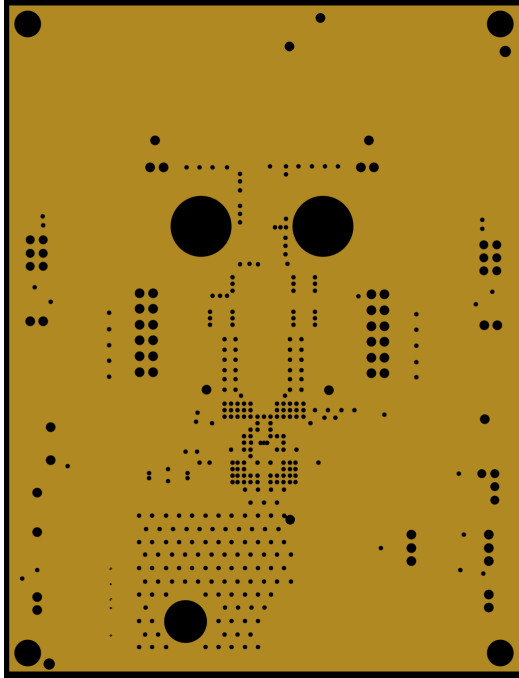


Figure 25: EVB PCB BGA Layer 4

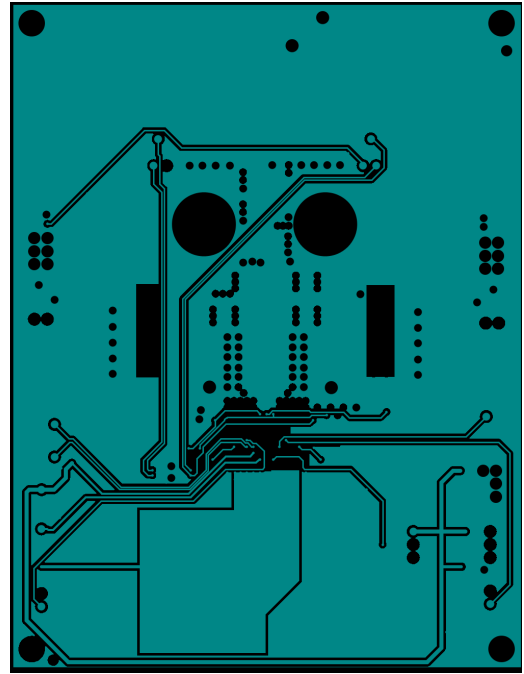


Figure 26: EVB PCB BGA Layer 5

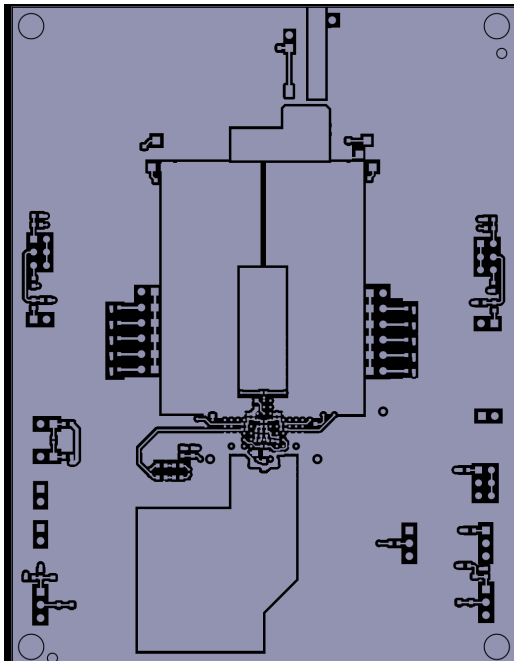


Figure 27: EVB PCB BGA Layer 6

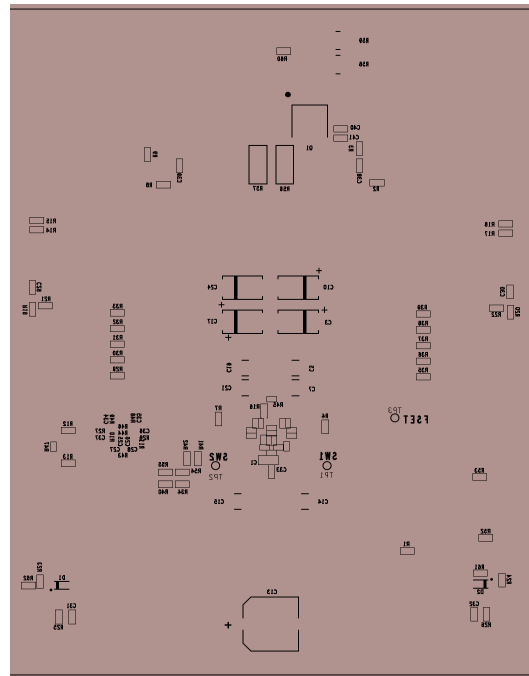


Figure 28: EVB PCB BGA Silkscreen Bottom

MxL7218EVB Bill of Materials

Table 9: EVB BGA Bill of Materials

Item	Qty	Reference Designator	Value	Tol.	Description	Manufacturer / Part Number	Package Size
1	1	C1	4.7 μ F	10%	CAP CER 4.7UF 16V 10% X7R 0805	Würth Elektroics 885012207053	0805
2	4	C2, C3, C16, C17	470 μ F	20%	CAP TANT POLY 470UF, 2.5V, 5m Ω	Panasonic ETPF470M5H	4.3mm x 7.3mm
3	2	C8, C22	100 μ F	10%	CAP CER 100uF 6.3V 20% X5R 1210	Würth Elektroics 885012109004	1210
4	4	C9, C10, C23, C24	DNP		CAP TANT POLY DNP		4.3mm x 7.3mm
5	8	C4, C5, C6, C7, C18, C19, C20, C21,	DNP		CAP CER DNP		
6	4	C11, C12, C14, C15	22 μ F	10%	CAP CER 22uF 10% 25V X5R 1210	Würth Elektroics 885012109014	1210
7	1	C13	150 μ F	20%	CAP ALUM, 150UF, 25V, 20%	Nichicon UCD1E151MNL1GS	SMD
8	6	C25, C26, C27, C28, C34, C35	DNP		CAP, Ceramic, SMD, DNP, 0402		0402
9	2	C29, C30	10nF	10%	CAP CER, 0.01UF, 50V, 10%, X7R, 0603	Würth Elektroics 885382206002	0603
10	2	C31, C32	DNP		CAP, Ceramic, SMD, DNP, 0603		0603
11	5	C33, C38, C39, C40, C41	1 μ F	10%	CAP CER 1uF +/-10% 16V X7R 0603	Würth Elektroics 885012206052	0603
12	2	C36, C37	100pF	5%	CAP, CER, 47pF, 25V, 0402	Würth Elektroics 885012005044	0402
13	2	D1, D2	DNP		DIODE ZENER 3.3V 500MW SOD123	ON Semiconductor MMSZ5226B	SMD
14	21	J1, J2, J22, J23, J24, J27, J28, J31, J32, J33, J34, J35, J36, J38, J39, J40, J41, J42, J43, J58, J59	HEADER_1X2_2.54 mm_M		HDR,2.54mm Single Row/ Male 1X2 GOLD	Würth Elektroics 61300211121	TH
15	4	J3, J29, J30, J45	HEADER_1X3_2.54 mm_M		HDR,2.54mm Single Row/ Male 1X3 GOLD	Würth Elektroics 61300311121	TH
16	18	J4, J7, J10, J12, J15, J18, J46, J47, J48, J49, J50, J51, J52, J53, J54, J55, J60, J61	HEADER_1X1_2.54 mm_M		HDR, Single Pin/Male 1X1 GOLD	Würth Elektroics 61300111121	TH
17	4	J6, J8, J16, J17	KFH		Broaching Stud , KFH #10-32, Phosphor Bronze	Penn Engineering KFH-032-10ET	TH

Table 9: EVB BGA Bill of Materials (Continued)

Item	Qty	Reference Designator	Value	Tol.	Description	Manufacturer / Part Number	Package Size
18	2	J9, J11			CONN. BANANA JACK	Keystone Electronics 575-4	
19	3	J25, J26, J44	HEADER_2X3_0.1"		HDR, 0.1" Double Row/2x3	Würth Elektroics 61300621121	TH
20	1	Q1	SUD50N04		MOSFET N-CH 40V 14A TO-252	Vishay SUD50N04	SMD
21	1	R1	44.2k Ω	1%	RES SMD 44.2 KOHM 1% 1/10W 0603	KOA Speer RK73H1JT4422F	0603
22	4	R2, R3, R8, R9	10 Ω	1%	RES, Thin Film, 10 ohm, 1%, 1/10W, SMD, 0603	Vishay CRCW060310R0FKEB	0603
23	4	R7, R34, R41, R54	0 Ω	1%	RES, Thick Film, 0 ohm, 1%, 1/10W, 50V, SMD, 0603	Yageo RC0603FR-070RL	0603
24	4	R6, R50, R51, R59	DNP				2512
25	9	R10, R11, R43, R44, R45, R46, R47, R48, R49	DNP		RES, DNP, SMD, 0402		0402
26	5	R12, R13, R23, R24, R60	10k Ω	1%	RES SMD 10K OHM 1% 1/10W 0603	Panasonic ERJ-3EKF1002V	0603
27	4	R14, R15, R17, R18	DNP				
28	1	R16	121k Ω	1%	RES SMD 110K OHM 1% 1/10W 0603	Yageo RC0603FR-07110KL	0603
29	6	R19, R20, R21, R22, R31, R37	60.4k Ω	1%	RES SMD 60.4K OHM 1% 1/10W 0603	Panasonic ERJ-3EKF6042V	0603
30	6	R4, R40, R42, R55, R61, R62	DNP		RES, DNP, SMD, 0603		0603
31	2	R25, R26	3.32k Ω		RES SMD, 3.32K OHM, 1% 1/10W 0603	Stackpole Electronics RMCF0603FT3K32	0603
32	2	R27, R28	30.1k Ω	1%	RES 30.1K OHM 1/16W 1% 0402 SMD	Yageo RC0402FR-0730K1L	0402
33	2	R29, R35	150k Ω	1%	RES, Thin Film, 150 Kohm, 1%, 1/10W, SMD, 0603	Vishay CRCW0603150KFKEA	0603
34	2	R30, R36	90.9k Ω	1%	RES SMD 90.9K OHM 1% 1/10W 0603	Panasonic ERJ-3EKF9092V	0603
35	2	R32, R38	30.1k Ω	1%	RES SMD 30.1K OHM 1% 1/10W 0603	Yageo RC0603FR-0730K1L	0603
36	2	R33, R39	10k Ω	1%	RES SMD 10K OHM 1% 1/10W 0603	Yageo RC0603FR-0710KL	0603
37	2	R52, R53	1k Ω	1%	RES SMD 1K OHM 1% 1/10W 0603	Panasonic ERJ3EKF1001V	0603
38	1	R56	0 Ω		Resistor 0 Ohm Jumper 1W,SMD	Vishay CRCW20100000Z0EFHP	2010
39	1	R57	DNP		DNP for CAP 2010	Vishay CRCW20100000Z0EFHP	2010

Table 9: EVB BGA Bill of Materials (Continued)

Item	Qty	Reference Designator	Value	Tol.	Description	Manufacturer / Part Number	Package Size
40	1	R58	0.01Ω	1%	Resistor 0.01Ohm, 2W,1%, SMD	Rohm PMR100HZPFU10L0	2512
41	1	R59	DNP				2512
42	1	U1	MXL7218_BGA		MXL IC MXL7218 144P 16X16X5.21-BGA	MaxLinear MXL7218-ABA-T	BGA



MaxLinear, Inc.
5966 La Place Court, Suite 100
Carlsbad, CA 92008
760.692.0711 p.
760.444.8598 f.
www.maxlinear.com

The content of this document is furnished for informational use only, is subject to change without notice, and should not be construed as a commitment by MaxLinear, Inc. MaxLinear, Inc. assumes no responsibility or liability for any errors or inaccuracies that may appear in the informational content contained in this guide. Complying with all applicable copyright laws is the responsibility of the user. Without limiting the rights under copyright, no part of this document may be reproduced into, stored in, or introduced into a retrieval system, or transmitted in any form or by any means (electronic, mechanical, photocopying, recording, or otherwise), or for any purpose, without the express written permission of MaxLinear, Inc.

MaxLinear, Inc. does not recommend the use of any of its products in life support applications where the failure or malfunction of the product can reasonably be expected to cause failure of the life support system or to significantly affect its safety or effectiveness. Products are not authorized for use in such applications unless MaxLinear, Inc. receives, in writing, assurances to its satisfaction that: (a) the risk of injury or damage has been minimized; (b) the user assumes all such risks; (c) potential liability of MaxLinear, Inc. is adequately protected under the circumstances.

MaxLinear, Inc. may have patents, patent applications, trademarks, copyrights, or other intellectual property rights covering subject matter in this document. Except as expressly provided in any written license agreement from MaxLinear, Inc., the furnishing of this document does not give you any license to these patents, trademarks, copyrights, or other intellectual property.

MaxLinear, the MaxLinear logo, and any MaxLinear trademarks, MxL, Full-Spectrum Capture, FSC, G.now, AirPHY, Puma, AnyWAN and the MaxLinear logo are all on the products sold, are all trademarks of MaxLinear, Inc. or one of MaxLinear's subsidiaries in the U.S.A. and other countries. All rights reserved. Other company trademarks and product names appearing herein are the property of their respective owners.

X-ON Electronics

Largest Supplier of Electrical and Electronic Components

Click to view similar products for [Power Management IC Development Tools](#) category:

Click to view products by [MaxLinear](#) manufacturer:

Other Similar products are found below :

[EVB-EP5348UI](#) [MIC23451-AAAYFL EV](#) [MIC5281YMME EV](#) [124352-HMC860LP3E](#) [DA9063-EVAL](#) [ADP122-3.3-EVALZ](#) [ADP130-0.8-EVALZ](#) [ADP130-1.8-EVALZ](#) [ADP1740-1.5-EVALZ](#) [ADP1870-0.3-EVALZ](#) [ADP1874-0.3-EVALZ](#) [ADP199CB-EVALZ](#) [ADP2102-1.25-EVALZ](#) [ADP2102-1.875EVALZ](#) [ADP2102-1.8-EVALZ](#) [ADP2102-2-EVALZ](#) [ADP2102-3-EVALZ](#) [ADP2102-4-EVALZ](#) [AS3606-DB](#) [BQ25010EVM](#) [BQ3055EVM](#) [ISLUSBI2CKIT1Z](#) [LM2734YEVAL](#) [LP38512TS-1.8EV](#) [EVAL-ADM1186-1MBZ](#) [EVAL-ADM1186-2MBZ](#) [ADP122UJZ-REDYKIT](#) [ADP166Z-REDYKIT](#) [ADP170-1.8-EVALZ](#) [ADP171-EVALZ](#) [ADP1853-EVALZ](#) [ADP1873-0.3-EVALZ](#) [ADP198CP-EVALZ](#) [ADP2102-1.0-EVALZ](#) [ADP2102-1-EVALZ](#) [ADP2107-1.8-EVALZ](#) [ADP5020CP-EVALZ](#) [CC-ACC-DBMX-51](#) [ATPL230A-EK](#) [MIC23250-S4YMT EV](#) [MIC26603YJL EV](#) [MIC33050-SYHL EV](#) [TPS60100EVM-131](#) [TPS65010EVM-230](#) [TPS71933-28EVM-213](#) [TPS72728YFFEVM-407](#) [TPS79318YEQEV](#) [ISL85033EVAL2Z](#) [UCC28810EVM-002](#) [XILINXPWR-083](#)