

ENVISIONING • EMPOWERING • EXCELLING



**MxL7704**  
**Five Output Universal PMIC**  
EVB User Manual

# Revision History

---

Revision	Release Date	Change Description
1A	2/28/18	Initial Release
019UMR00	11/22/19	Correct inductor count in MxL7704-X BOM. Update cover page.

# Table of Contents

---

<b>Introduction.....</b>	<b>1</b>
<b>Ordering Information.....</b>	<b>1</b>
<b>Evaluation Board Overview .....</b>	<b>2</b>
<b>System Set-Up .....</b>	<b>2</b>
<b>Powering Up the Evaluation Board.....</b>	<b>3</b>
<b>Monitoring or Testing <math>V_{OUT}</math>.....</b>	<b>3</b>
<b>Typical Output Transient Response.....</b>	<b>4</b>
<b>Pin Configuration .....</b>	<b>8</b>
<b>MxL7704-A-EVB Schematic .....</b>	<b>9</b>
<b>MxL7704-X-EVB Schematic .....</b>	<b>10</b>
<b>MxL7704 EVB PCB Layers.....</b>	<b>11</b>
<b>MxL7704 EVB Bill of Materials .....</b>	<b>17</b>

# List of Tables

---

**Table 1:** Evaluation Board Ordering Part Numbers ..... 1

**Table 2:** Factory Settings ..... 2

**Table 3:** MxL7704-A-EVB Bill of Materials ..... 13

**Table 4:** MxL7704-X-EVB Bill of Materials ..... 14

## List of Figures

---

Figure 1: Top View of MxL7704-A EVB .....	1
Figure 2: Top View of MxL7704-X EVB .....	1
Figure 3: Block Diagram MxL7704 EVB .....	2
Figure 4: $V_{IN}$ Connection .....	3
Figure 5: 3.3V Output Transient Response on Channel 1 .....	4
Figure 6: 1.8V Output Transient Response on Channel 2 .....	5
Figure 7: 1.35V Output Transient Response on Channel 3 .....	5
Figure 8: MxL7704-AQB 1.2V Output Transient Response on Channel 4 .....	6
Figure 9: MxL7704-XQB 0.85V Output Transient Response on Channel 4 .....	6
Figure 10: MxL7704-AQB Power-Up Sequencing .....	7
Figure 11: MxL7704-AQB Power-Down Sequencing .....	7
Figure 12: MxL7704-XQB Power-Up Sequencing .....	7
Figure 13: MxL7704-XQB Power-Down Sequencing .....	7
Figure 14: Pin Configuration .....	8
Figure 15: MxL7704-A-EVB Schematic .....	9
Figure 16: MxL7704-X-EVB Schematic .....	10
Figure 17: EVB PCB, Top View .....	11
Figure 18: EVB PCB Layer 2, Ground Plane .....	12
Figure 19: EVB PCB Layer 3, Signal Plane .....	13
Figure 20: EVB PCB, Layer 4 Signal Plane .....	14
Figure 21: EVB PCB, Layer 5 Ground Planes .....	15
Figure 22: EVB PCB, Bottom View .....	16

# Introduction

The MxL7704 evaluation board provides a platform to evaluate the features and performance of the MxL7704. The MxL7704 is a five output Universal PMIC optimized for powering low power FPGAs, DSPs, and microprocessors from 5V inputs.

The MxL7704 power module and evaluation board come in two configurations which are summarized in Table 1.

Please refer to the [MxL7704 datasheet](#) for additional information about the MxL7704.

# Ordering Information

**Table 1: Evaluation Board Ordering Part Numbers<sup>(1)</sup>**

PMIC	Evaluation Board	Channel	Output Voltage (V)	Switching Frequency (MHz)
MxL7704-AQB-T	MxL7704-A-EVB	V <sub>OUT1</sub>	3.3	1.5
		V <sub>OUT2</sub>	1.8	
		V <sub>OUT3</sub>	1.35	
		V <sub>OUT4</sub>	1.2	
MxL7704-XQB-T	MxL7704-X-EVB	V <sub>OUT1</sub>	3.3	1
		V <sub>OUT2</sub>	1.8	
		V <sub>OUT3</sub>	1.35	
		V <sub>OUT4</sub>	0.85	

NOTE:

1. Refer to [www.exar.com/MxL7704](http://www.exar.com/MxL7704) for most up-to-date Ordering Information

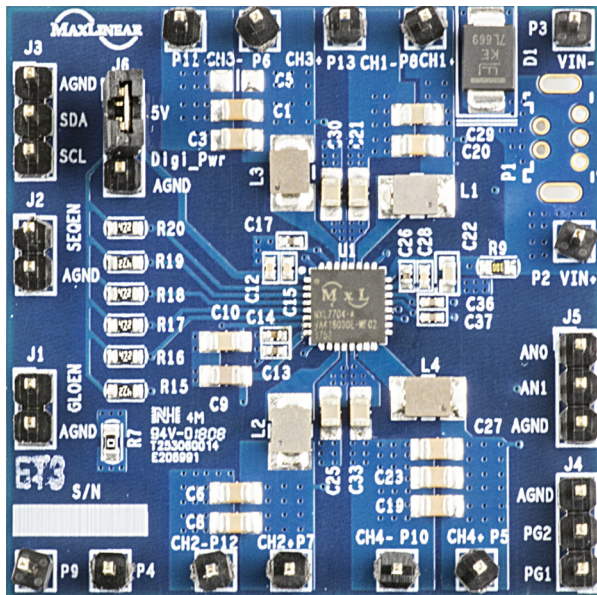


Figure 1: Top View of MxL7704-A-EVB

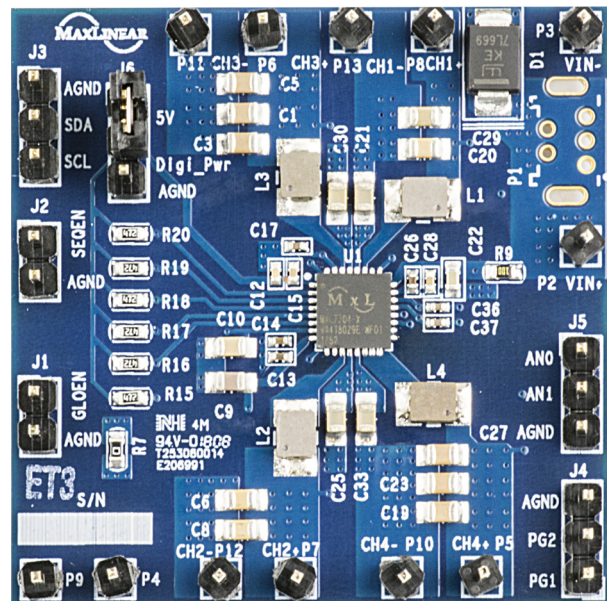


Figure 2: Top View of MxL7704-X-EVB

## Evaluation Board Overview

The block diagram shown in Figure 3 illustrates the connection points.

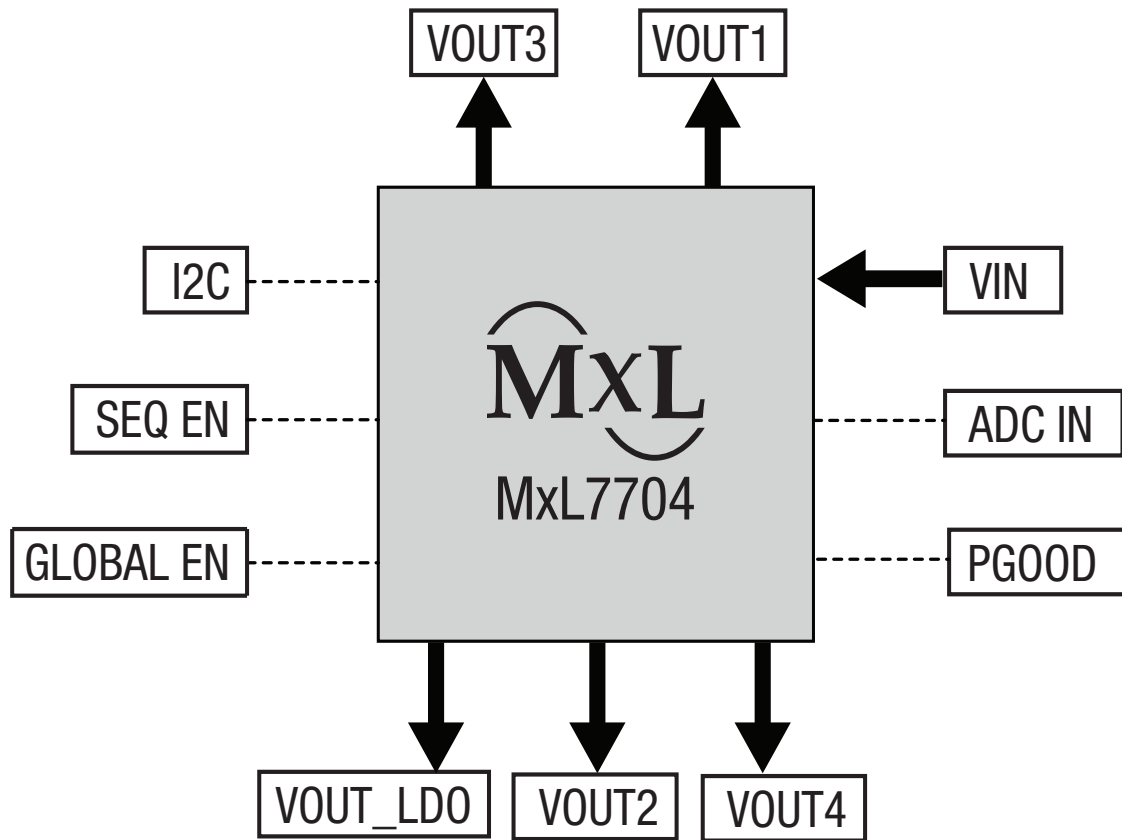


Figure 3: Block Diagram MxL7704 EVB

### System Set-Up

Jumpers are factory installed per Table 2 to configure the EVB for operation. Jumper and testing options are described in the next sections. Refer to the product data sheet for additional information.

**Table 2: Factory Settings**

Jumper	Factory Setting	Description
Digi_Pwr to P5V	J6, Jumper 1-2	Enables all pull-up resistors.



## Powering Up the Evaluation Board

- Connect P2 (VIN+) and P3 (VIN-) to a 5V power supply. See Note A.
- Turn on the power supply. The EVB will power up and regulate the outputs as follows:
  - Channel 1: 3.3V
  - Channel 2: 1.8V
  - Channel 3: 1.35V
  - Channel 4: 1.2V (MXL7704-A-EVB) or 0.85V (MXL7704-X-EVB)
  - LDO: 3.3V

## Monitoring or Testing $V_{OUT}$

- The outputs may be left open or connected to an external load. A low impedance connection will provide the best load regulation.

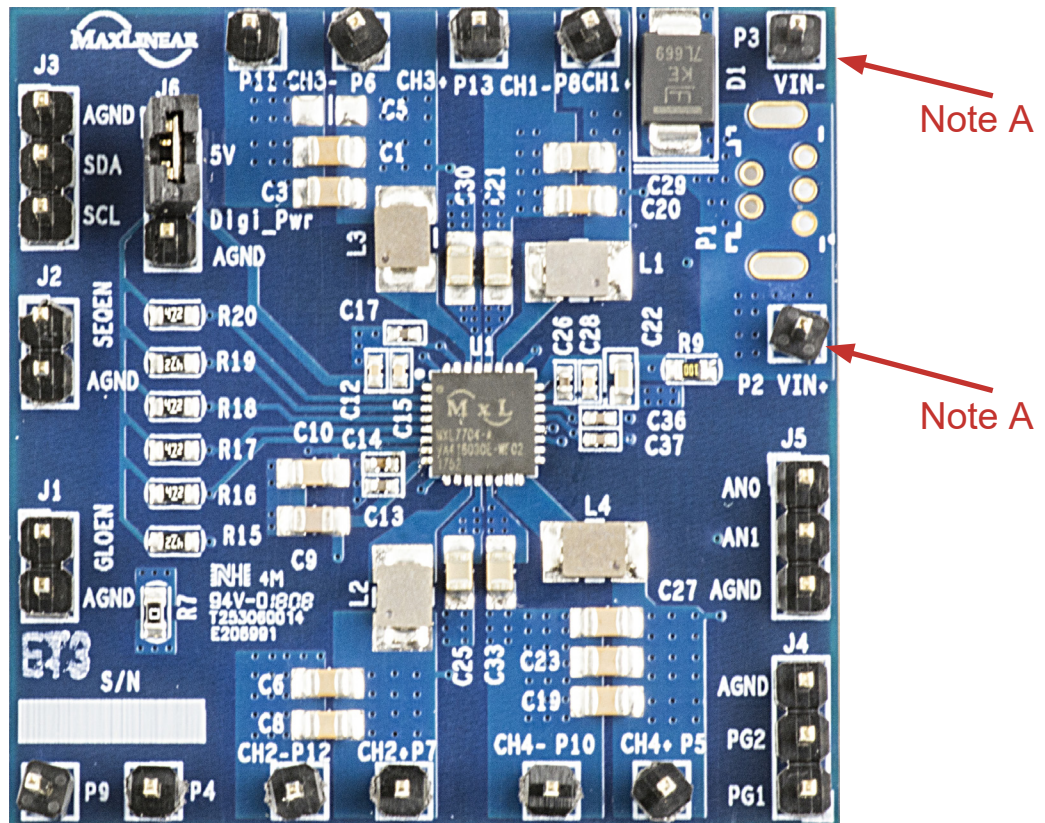
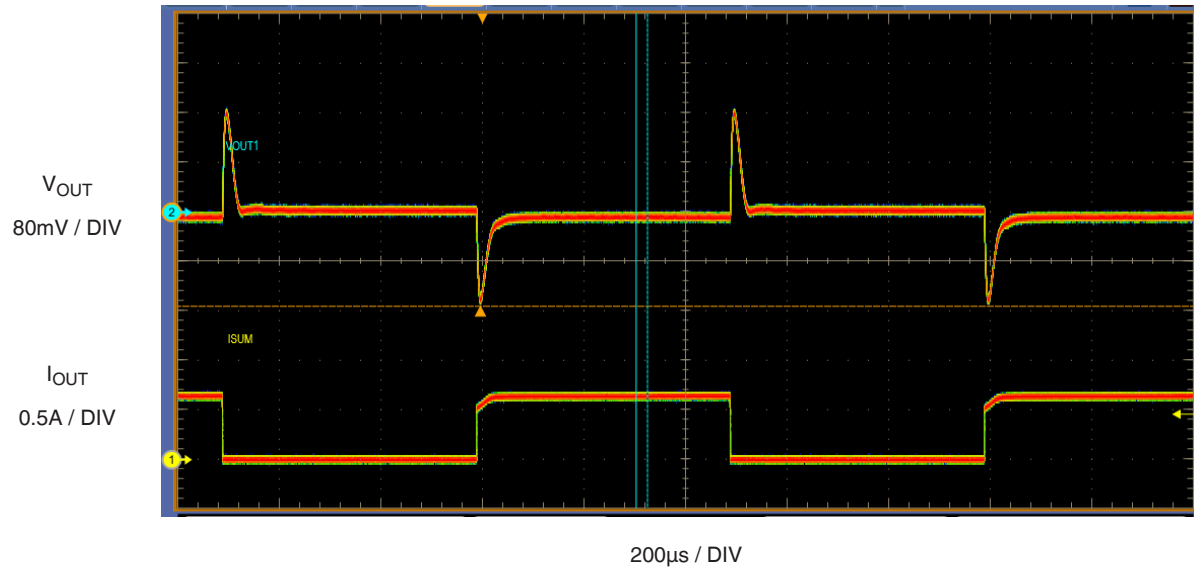


Figure 4:  $V_{IN}$  Connection



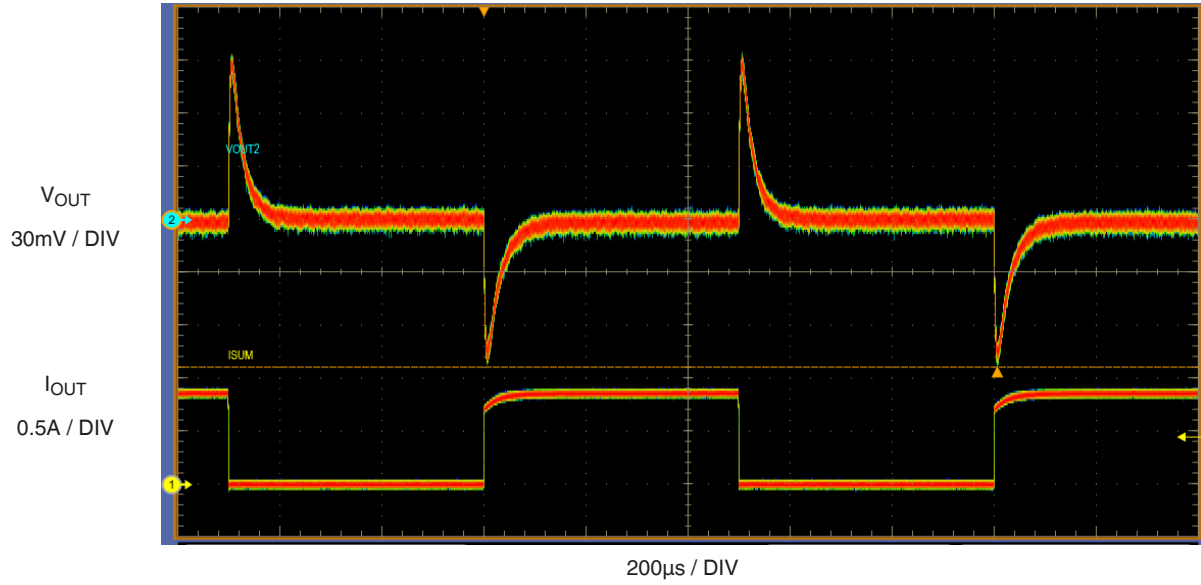
## Typical Output Transient Response

The following waveforms were captured on the MXL7704-A-EVB and MXL7704-X-EVB.



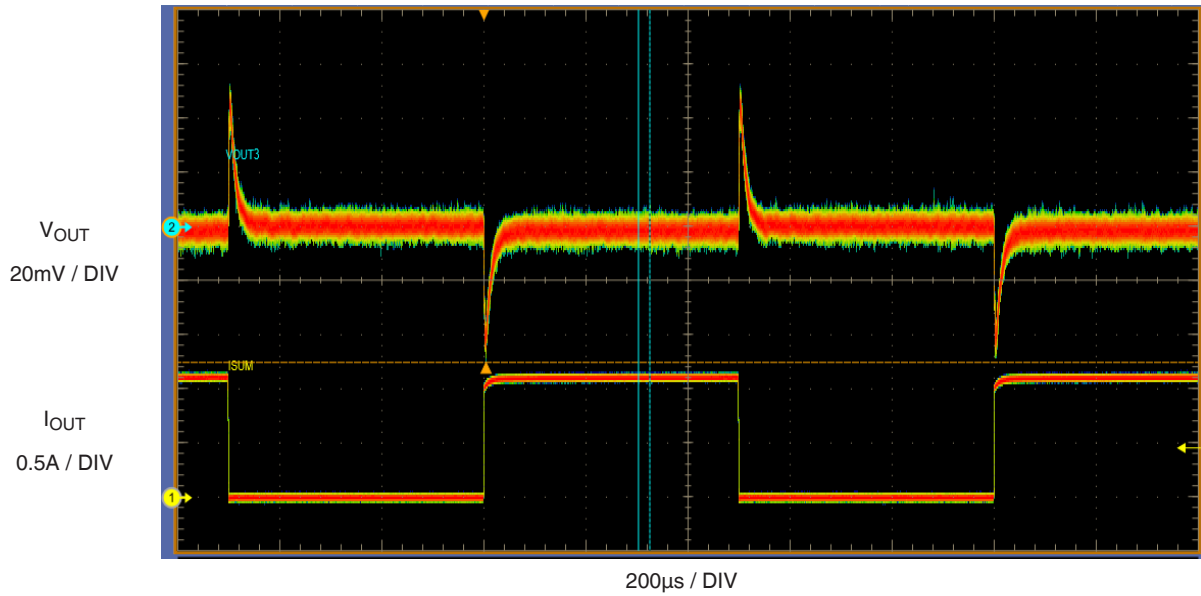
$V_{IN} = 5V$ ,  $V_{OUT} = 3.3V$  at  $1A/\mu s$  Load Step  
 $f = 1kHz$   
 $L_{OUT} = 2.2\mu H$   
 $C_{OUT} = 22\mu F$ , 6.3V X5R Ceramic  
 $C_{OUT} = 2 \times 10\mu F$ , 6.3V X5R Ceramic

Figure 5: 3.3V Output Transient Response on Channel 1



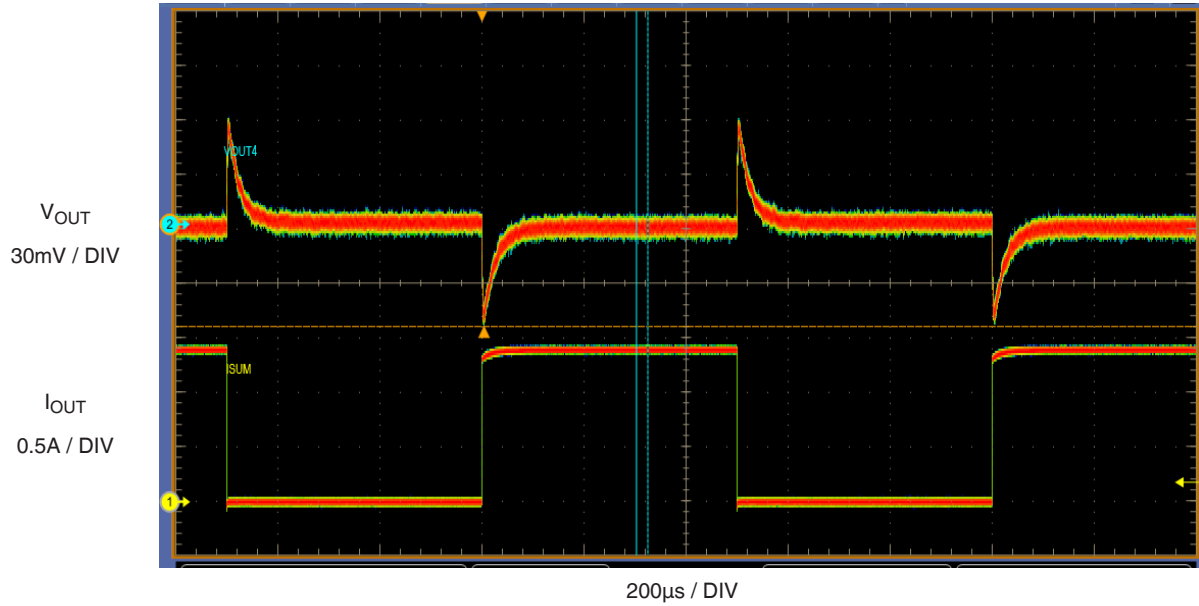
$V_{IN} = 5V$ ,  $V_{OUT} = 1.8V$  at  $1A/\mu s$  Load Step  
 $f = 1kHz$   
 $L_{OUT} = 1\mu H$   
 $C_{OUT} = 2 \times 22\mu F$ , 6.3V X5R Ceramic  
 $C_{OUT} = 10\mu F$ , 6.3V X5R Ceramic

Figure 6: 1.8V Output Transient Response on Channel 2



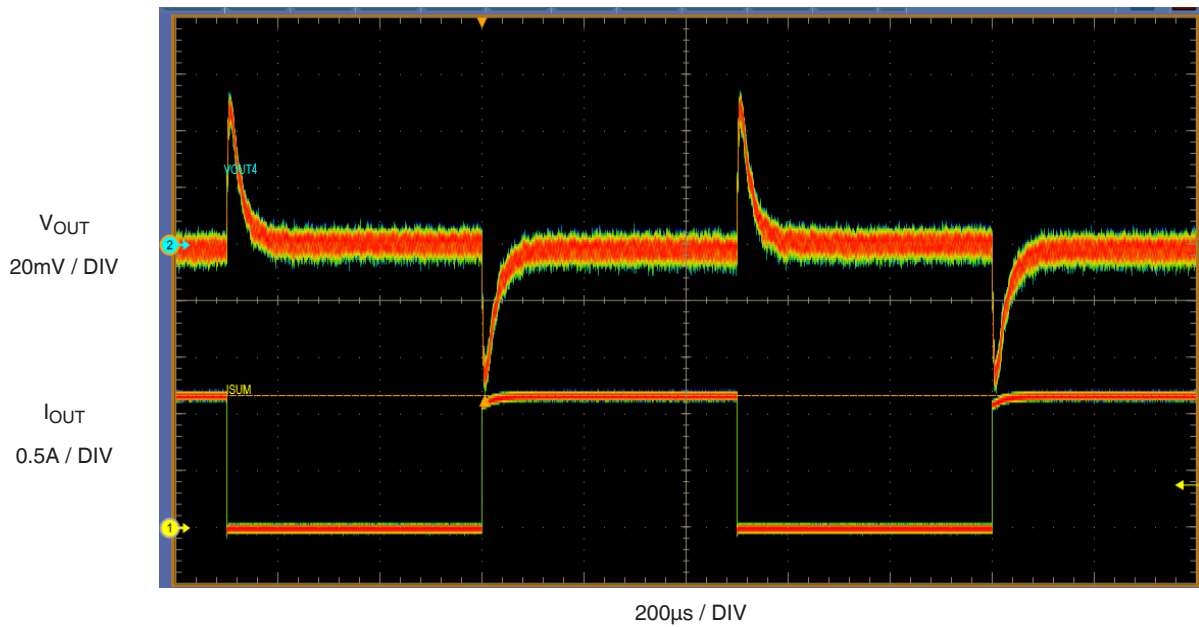
$V_{IN} = 5V$ ,  $V_{OUT} = 1.35V$  at  $1A/\mu s$  Load Step  
 $f = 1kHz$   
 $L_{OUT} = 0.47\mu H$   
 $C_{OUT} = 2 \times 22\mu F$ , 6.3V X5R Ceramic

Figure 7: 1.35V Output Transient Response on Channel 3



$V_{IN} = 5V$ ,  $V_{OUT} = 1.2V$  at  $10A/\mu s$  Load Step  
 $f = 1kHz$   
 $L_{OUT} = 0.47\mu H$   
 $C_{OUT} = 3 \times 47\mu F$ , 6.3V X5R Ceramic

Figure 8: MxL7704-AQB 1.2V Output Transient Response on Channel 4



$V_{IN} = 5V$ ,  $V_{OUT} = 0.85V$  at  $10A/\mu s$  Load Step  
 $f = 1kHz$   
 $L_{OUT} = 0.47\mu H$   
 $C_{OUT} = 5 \times 47\mu F$ , 6.3V X5R Ceramic

Figure 9: MxL7704-XQB 0.85V Output Transient Response on Channel 4

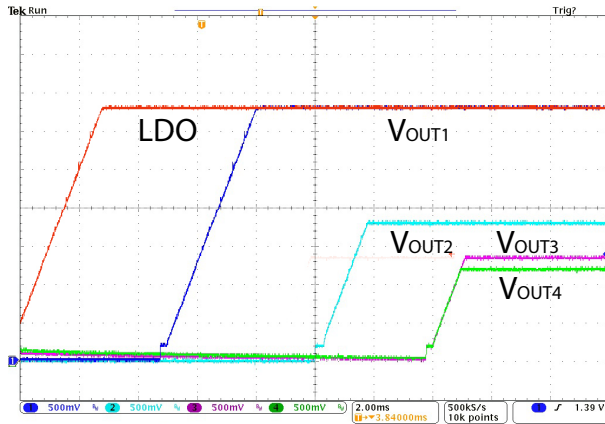


Figure 10: MxL7704-AQB Power-Up Sequencing

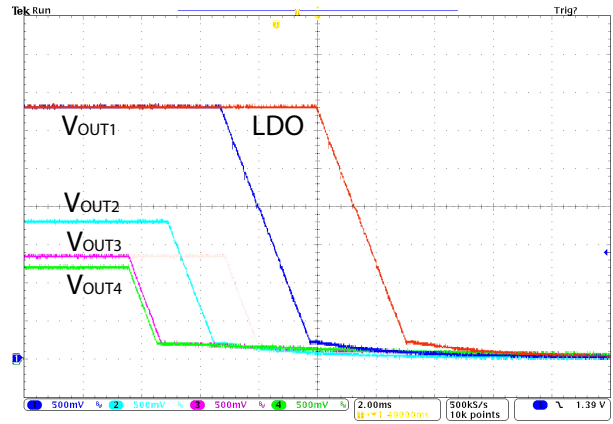


Figure 11: MxL7704-AQB Power-Down Sequencing

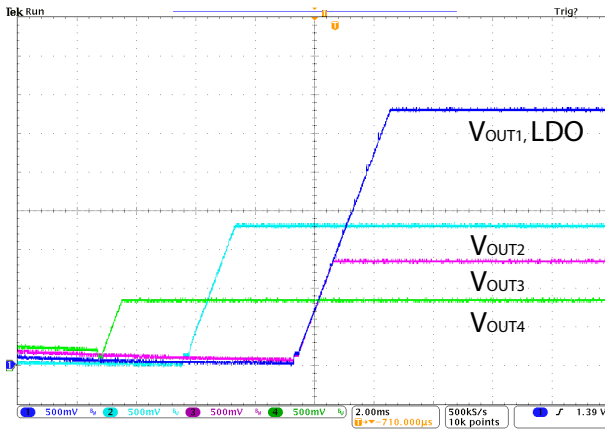


Figure 12: MxL7704-XQB Power-Up Sequencing

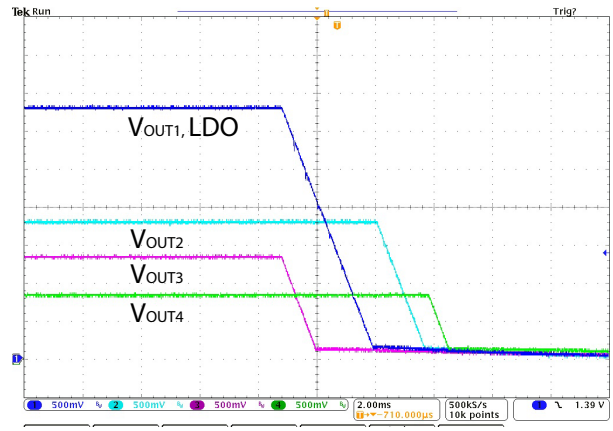
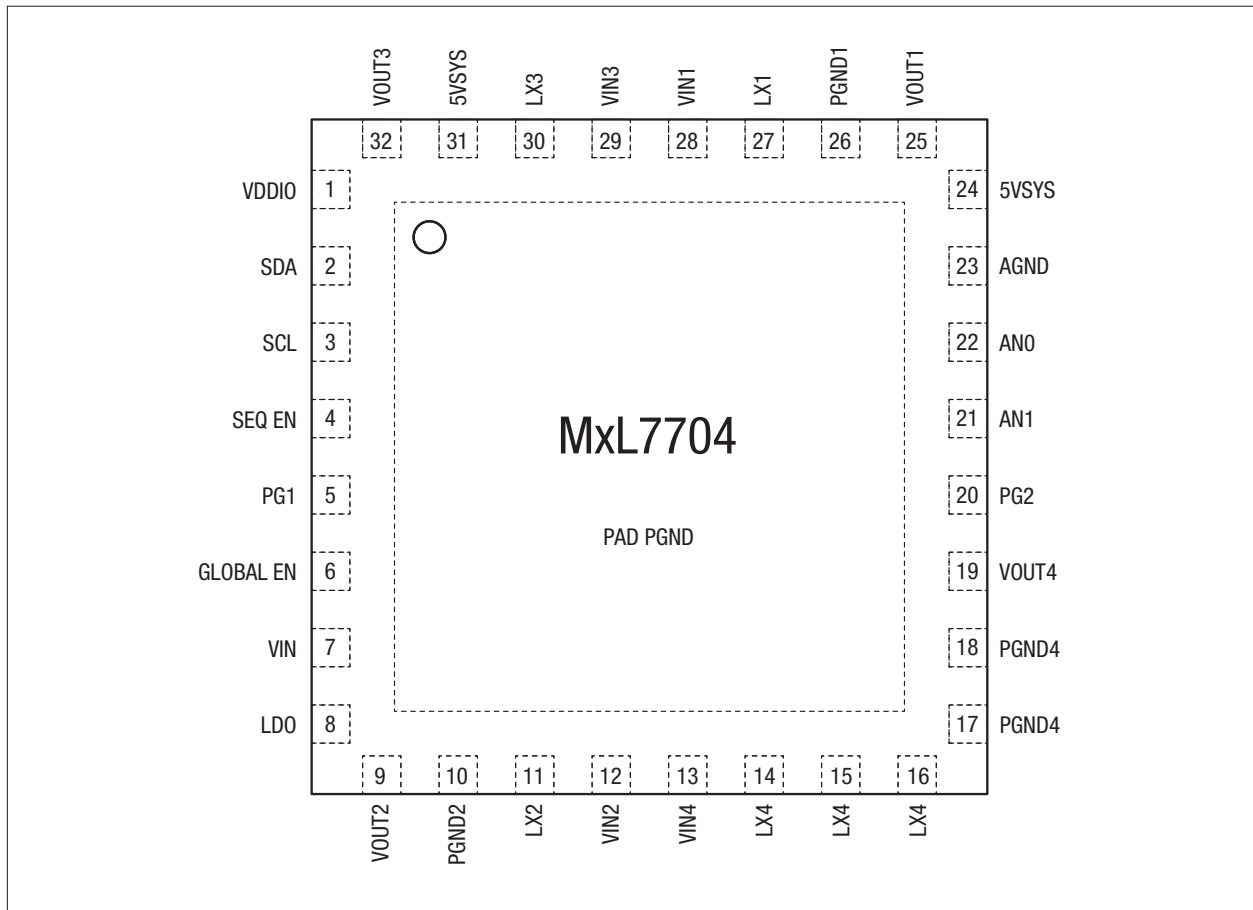


Figure 13: MxL7704-XQB Power-Down Sequencing

# Pin Configuration



Top View, 5mm x 5mm QFN-32

Figure 14: Pin Configuration

# MxL7704-A-EVB Schematic

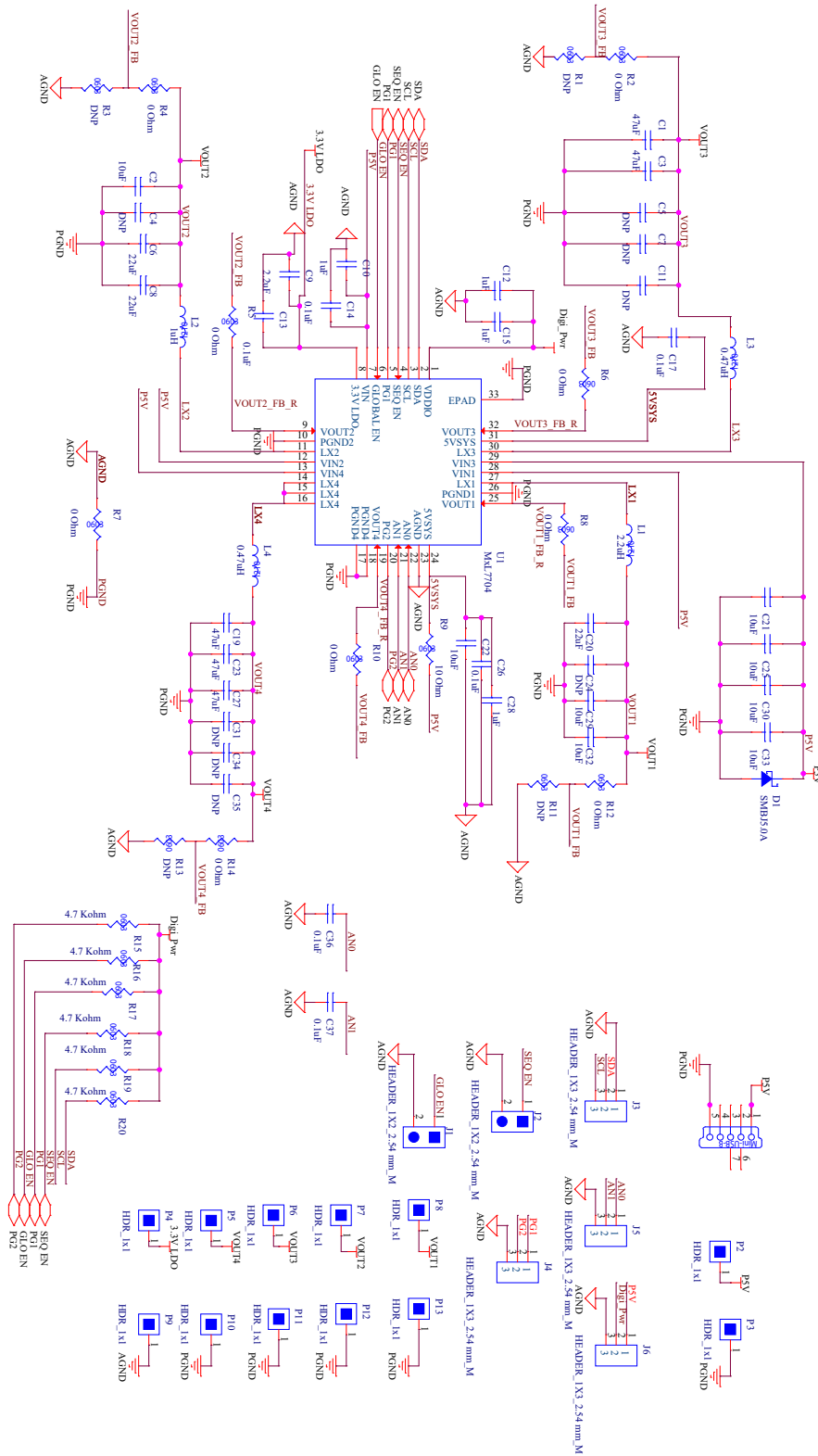


Figure 15: MxL7704-A-EVB Schematic

# MxL7704-X-EVB Schematic

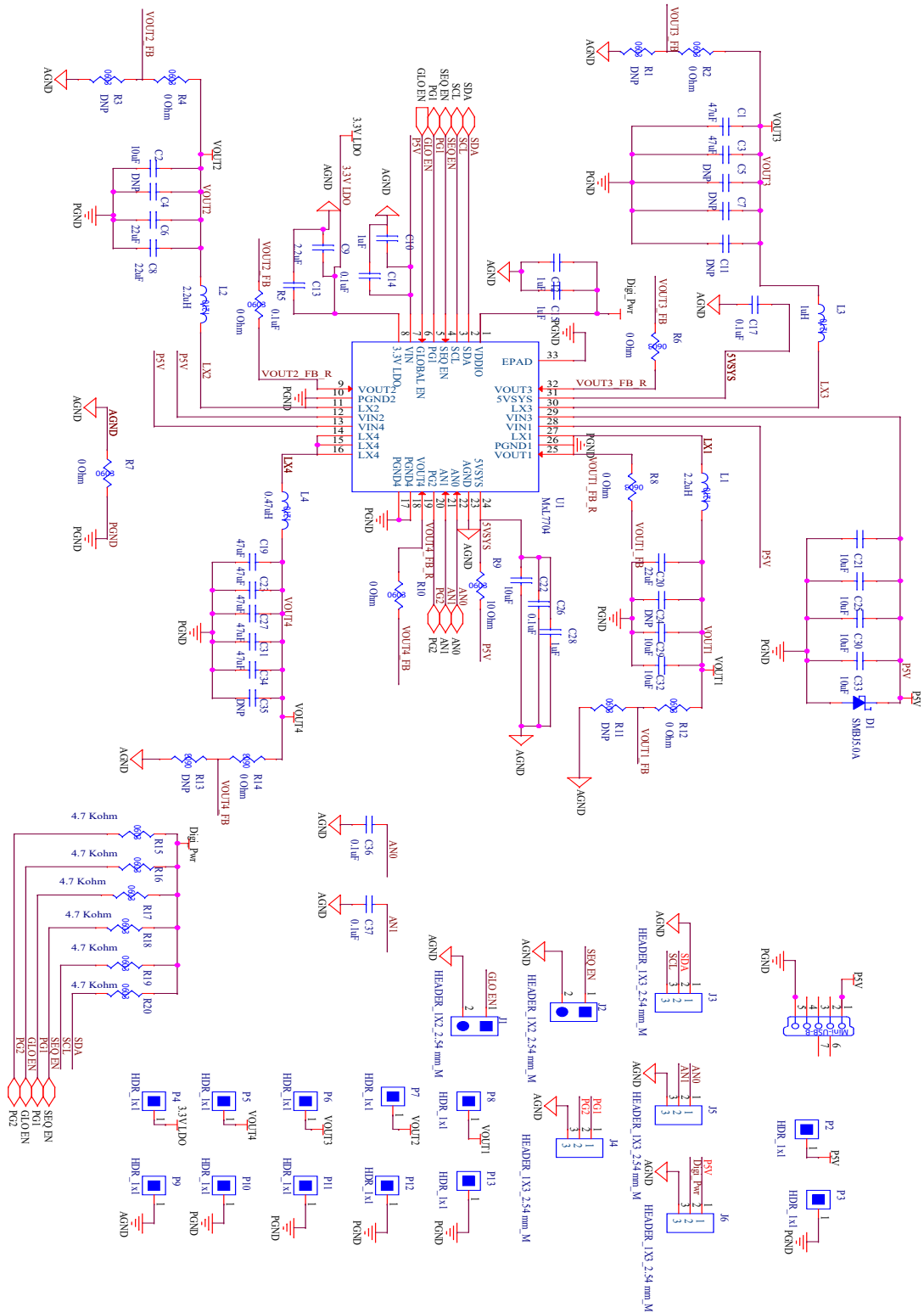


Figure 16: MxL7704-X-EVB Schematic



# MxL7704 EVB PCB Layers

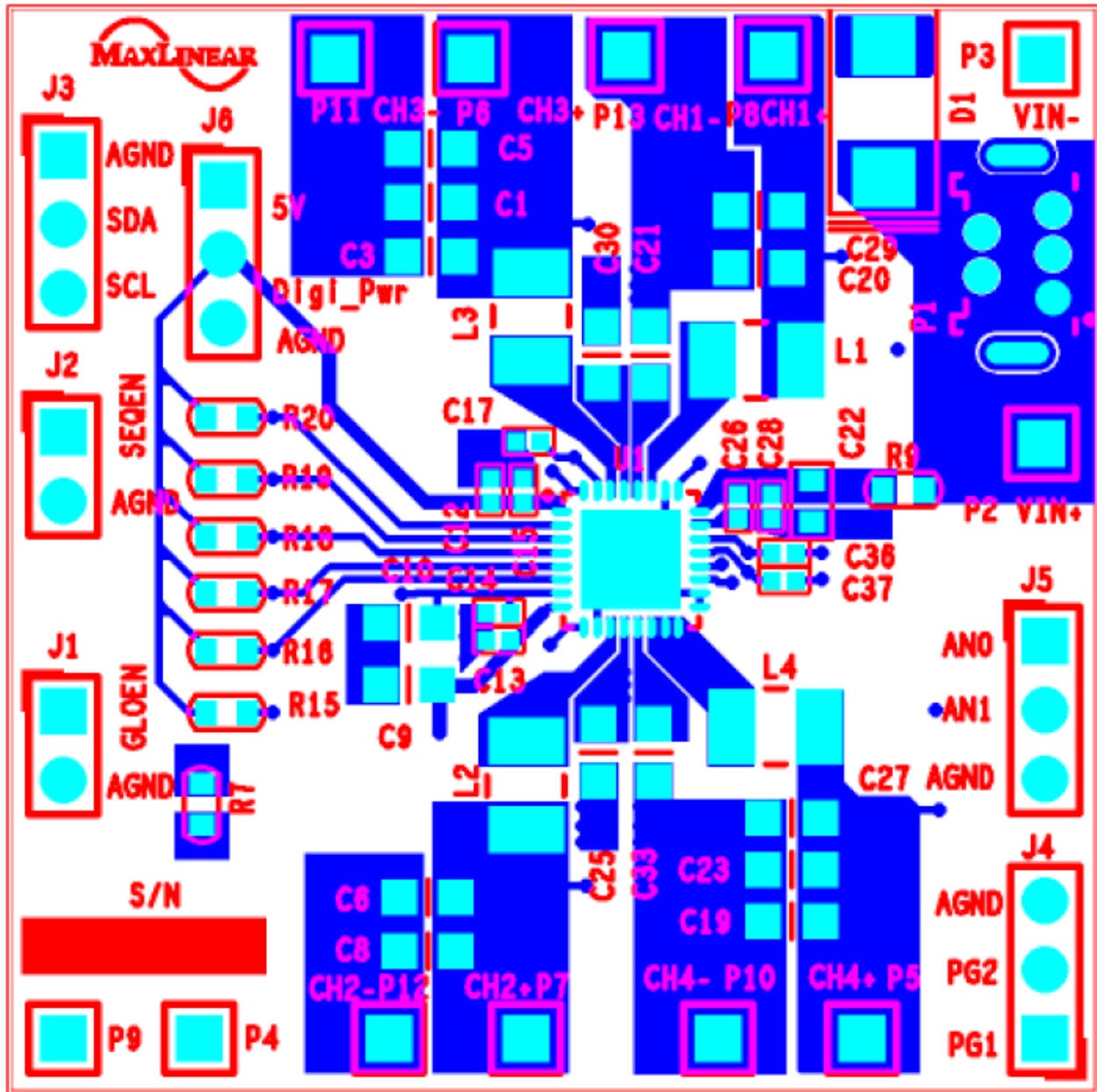


Figure 17: EVB PCB, Top View

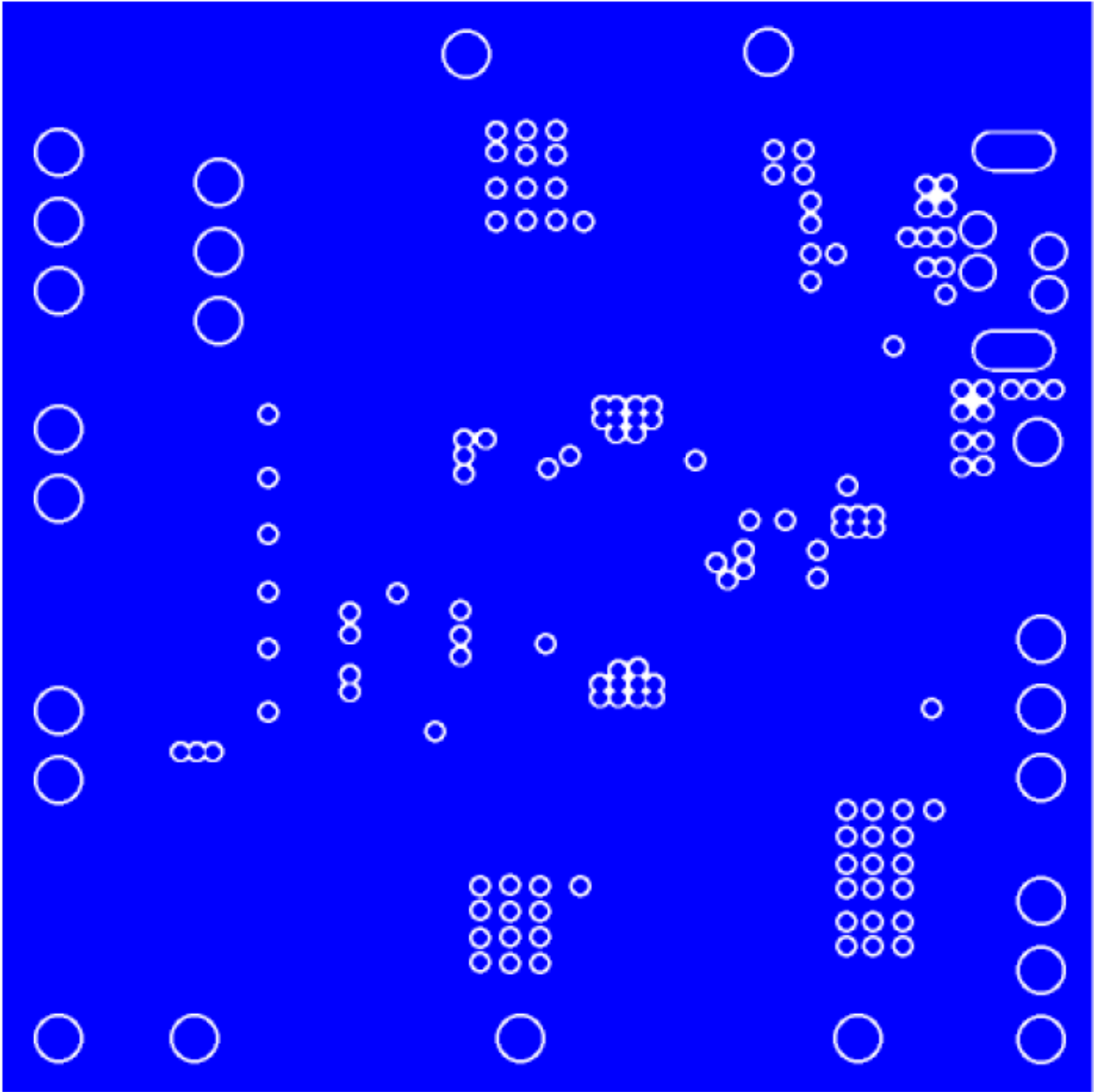


Figure 18: EVB PCB Layer 2, Ground Plane

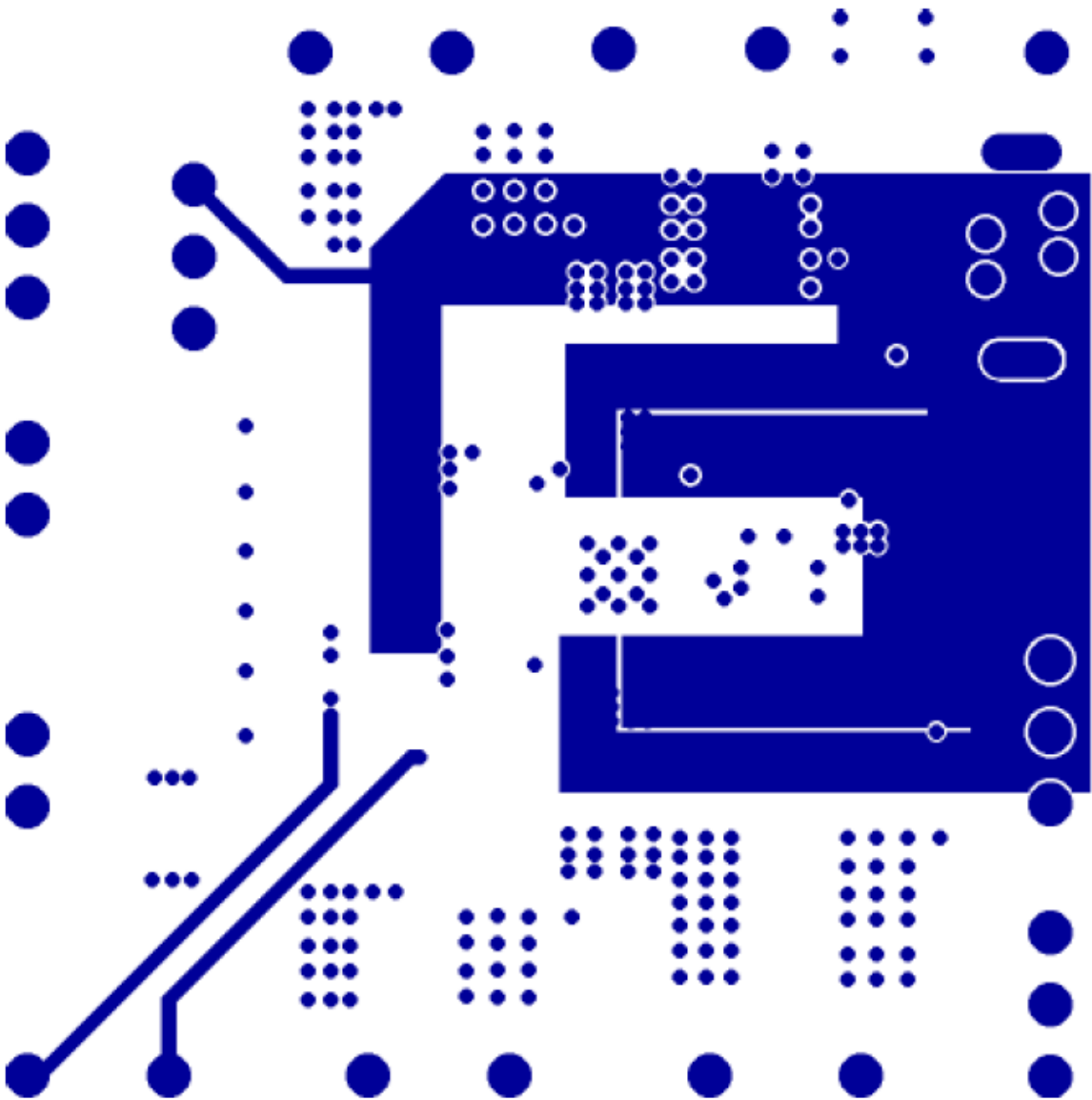


Figure 19: EVB PCB Layer 3, Signal Plane

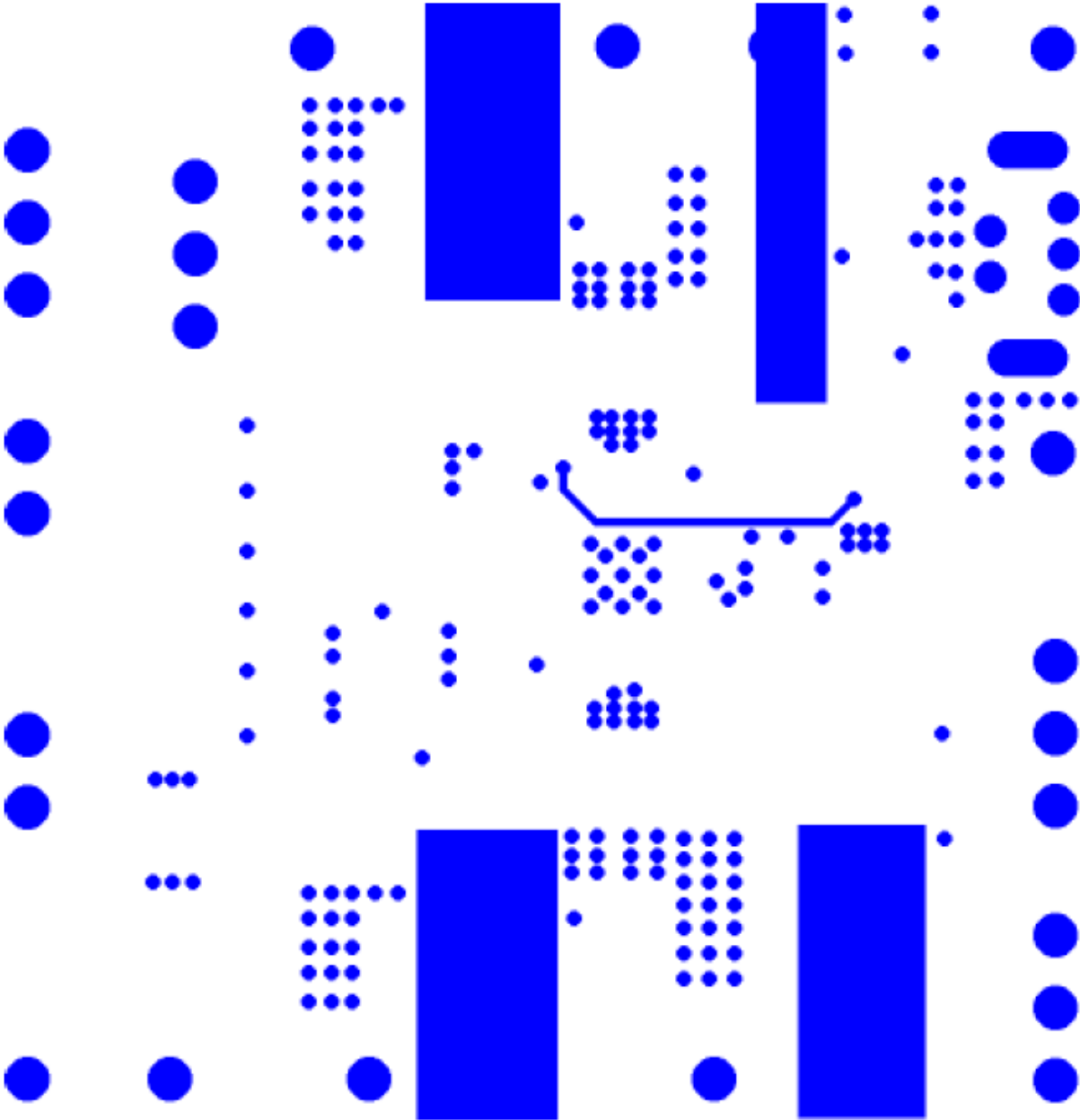


Figure 20: EVB PCB, Layer 4 Signal Plane

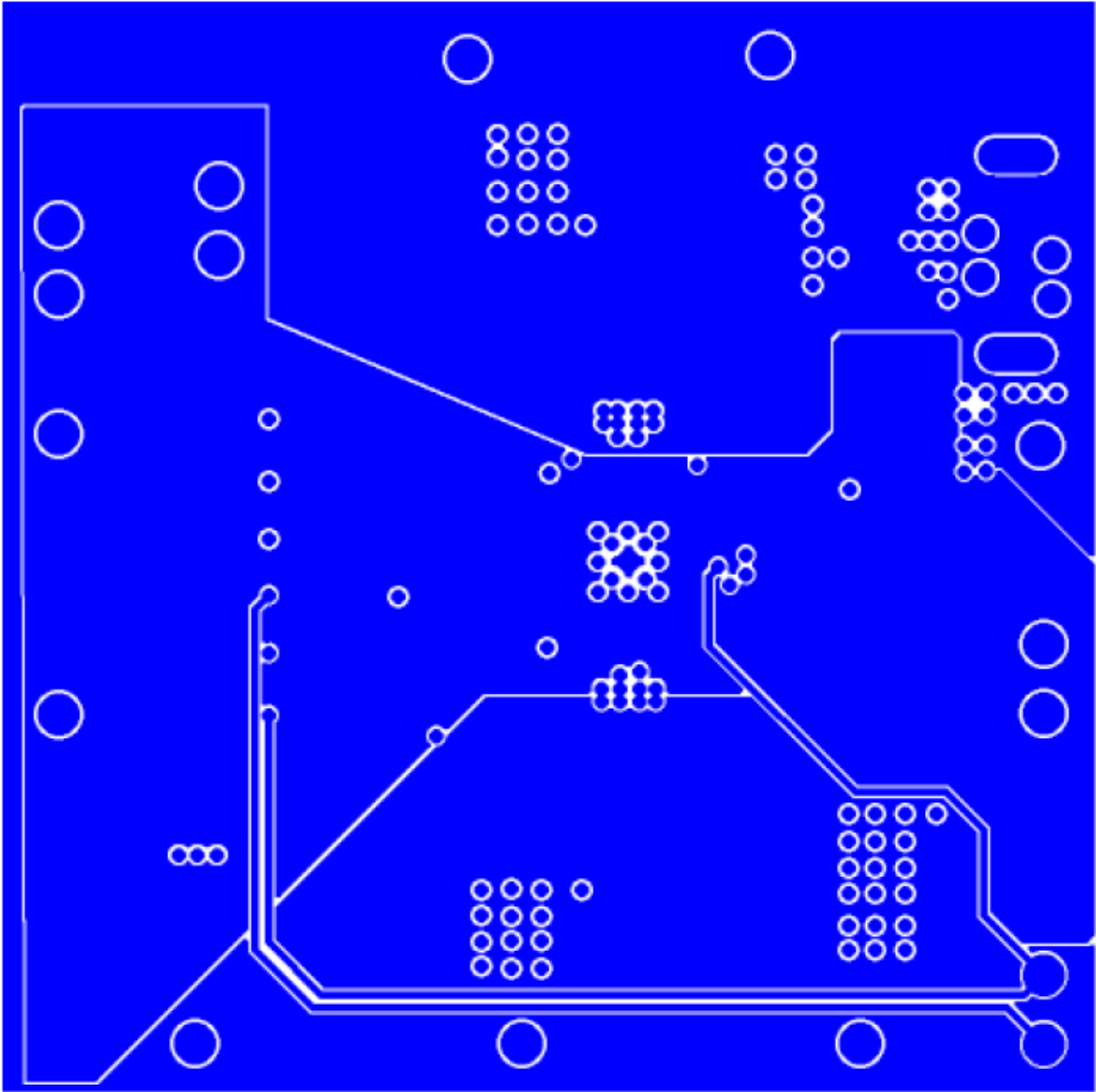


Figure 21: EVB PCB, Layer 5 Ground Planes

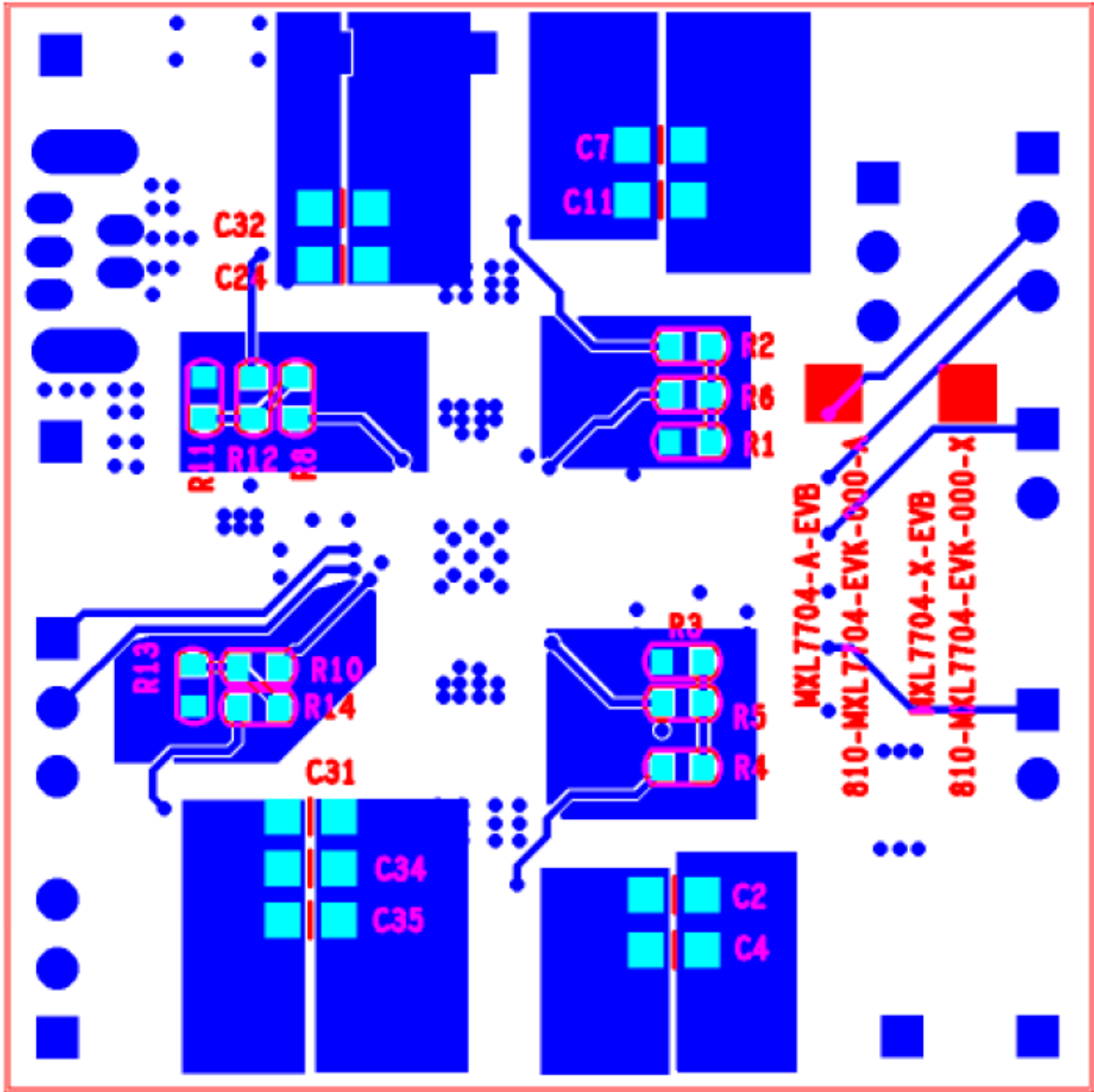


Figure 22: EVB PCB, Bottom View

# MxL7704 EVB Bill of Materials

**Table 3: MxL7704-A-EVB Bill of Materials**

Item	Qty	Reference Designator		Manufacturer	Part Number	Package Size	Component
1	1	PCB		MaxLinear		PCB	MxL7704EVB Evaluation Board
2	1	U1		MaxLinear	MXL7704-AQB-T	5mm x 5mm x 0.9mm 32-pin QFN	MxL7704 Five Output Universal PMIC with 8-bit ADC
3	5	C1 C3 C19 C23 C27		Murata	GRM219R60J476ME44	0805	CAP CER 47UF 6.3V X5R
4	3	C2 C29 C32		Murata	GRM21BR60J106ME19	0805	CAP CER 10UF 6.3V X5R
5	1	C4	DNP	Murata	GRM21BR60J106ME19	0805	CAP CER 10UF 6.3V X5R
6	6	C5 C7 C11 C31 C34 C35	DNP	Murata	GRM219R60J476ME44	0805	CAP CER 47UF 6.3V X5R
7	3	C6 C8 C20		Murata	GRM21BR60J226ME39	0805	CAP CER 22UF 6.3V X5R
8	1	C9		Murata	GRM21BR60J225KA01	0805	CAP CER 2.2UF 6.3V X5R
9	1	C10		Murata	GRM219R61A105KA01	0805	CAP CER 1UF 10V X5R
10	3	C12 C15 C28		Murata	GRM155R60J105KE19D	0402	CAP CER 1UF 6.3V X5R
11	6	C13 C14 C17 C26 C36 C37		Murata	GRM155R61A104MA01	0402	CAP CER 0.1UF 10V X5R
12	4	C21 C25 C30 C33		Murata	GRM219R61A106ME47	0805	CAP CER 10UF 10V X5R
13	1	C22		Murata	GRM188R60J106ME47D	1608[0603]	CAP CER 10UF 6.3V X5R
14	1	C24	DNP	Murata	GRM21BR60J226ME39	0805	CAP CER 22UF 6.3V X5R
15	1	D1		Littlefuse	SMBJ5.0A	SMBJ	Schottky Rectifier
16	4	J1 J2 J3 J6		Würth Elektronik	61300311121	2.54mm	Header, 3-Pin
17	2	J4 J5		Würth Elektronik	61300311121	2.54mm	Header, 3-Pin
18	1	L1		Delta	HMME32251E-2R2MSR	HMME32251E INDM3225X15M	Inductor
19	1	L2		Delta	HMME32251E-1R0MSR	HMME32251E INDM3225X15M	Inductor
20	2	L3 L4		Delta	HMME32251E-R47MSR	HMME32251E INDM3225X15M	Inductor



## MxL7704 EVB Bill of Materials (continued)

**Table 3: MxL7704-A-EVB Bill of Materials (continued)**

Item	Qty	Reference Designator	Manufacturer	Part Number	Package Size	Component	
21	1	P1	DNP	Molex	5000750517	Mini B	USB Mini-B Receptacle, Right Angle, Thru-Hole
22	12	P2 P3 P4 P5 P6 P7 P8 P9 P10 P11 P12 P13		Würth Elektronik	7471287	0.32x0.10in	Blade connectors
23	4	R1 R3 R11 R13	DNP	Panasonic	ERJ-PA3F1003V	ERA-0603	Resistor
24	9	R2 R4 R5 R6 R7 R8 R10 R12 R14		Panasonic	ERJ-3GEY0R00V	ERA-0603	Resistor
25	1	R9		Panasonic	ERJ-3GEYJ100V	ERA-0603	Resistor
26	6	R15 R16 R17 R18 R19 R20		Panasonic	ERJ-3GEYJ472V	ERA-0603	Resistor

**Table 4: MxL7704-X-EVB Bill of Materials**

Item	Qty	Reference Designator	Manufacturer	Part Number	Package Size	Component	
1	1	PCB		MaxLinear		PCB	MxL7704EVB Evaluation Board
2	1	U1		MaxLinear	MXL7704-XQB-T	5mm x 5mm x 0.9mm 32-pin QFN	MxL7704 Five Output Universal PMIC with 8-bit ADC
3	5	C1 C3 C5 C19 C23 C27 C31 C34		Murata	GRM219R60J476ME44	0805	CAP CER 47UF 6.3V X5R
4	3	C2 C29 C32		Murata	GRM21BR60J106ME19	0805	CAP CER 10UF 6.3V X5R
5	1	C4	DNP	Murata	GRM21BR60J106ME19	0805	CAP CER 10UF 6.3V X5R
6	6	C6 C8 C20		Murata	GRM21BR60J226ME39	0805	CAP CER 22UF 6.3V X5R

## MxL7704 EVB Bill of Materials (continued)

**Table 4: MxL7704-X-EVB Bill of Materials (continued)**

Item	Qty	Reference Designator	Manufacturer	Part Number	Package Size	Component	
7	3	C7 C11 C35	DNP	Murata	GRM219R60J476ME44	0805	CAP CER 47UF 6.3V X5R
8	1	C9		Murata	GRM21BR60J225KA01	0805	CAP CER 2.2UF 6.3V X5R
9	1	C10		Murata	GRM219R61A105KA01	0805	CAP CER 1UF 10V X5R
10	3	C12 C15 C28		Murata	GRM155R60J105KE19D	0402	CAP CER 1UF 6.3V X5R
11	6	C13 C14 C17 C26 C36 C37		Murata	GRM155R61A104MA01	0402	CAP CER 0.1UF 10V X5R
12	4	C21 C25 C30 C33		Murata	GRM219R61A106ME47	0805	CAP CER 10UF 10V X5R
13	1	C22		Murata	GRM188R60J106ME47D	1608[0603]	CAP CER 10UF 6.3V X5R
14	1	C24	DNP	Murata	GRM21BR60J226ME39	0805	CAP CER 22UF 6.3V X5R
15	1	D1		Littlefuse	SMBJ5.0A	SMBJ	Schottky Rectifier
16	4	J1 J2 J3 J6		Würth Elektronik	61300311121	2.54mm	Header, 3-Pin
17	2	J4 J5		Würth Elektronik	61300311121	2.54mm	Header, 3-Pin
18	2	L1 L2		Delta	HMME32251E-2R2MSR	HMME32251E INDM3225X15M	Inductor
19	1	L3		Delta	HMME32251E-1R0MSR	HMME32251E INDM3225X15M	Inductor
20	1	L4		Delta	HMME32251E-R47MSR	HMME32251E INDM3225X15M	Inductor
21	1	P1	DNP	Molex	Mini-USB 5000750517	Mini B	USB Mini-B Receptacle, Right Angle, Thru-Hole
22	12	P2 P3 P4 P5 P6 P7 P8 P9 P10 P11 P12 P13		Würth Elektronik	7471287	0.32x0.10in	Blade connectors
23	4	R1 R3 R11 R13	DNP	Panasonic	ERJ-PA3F1003V	ERA-0603	RES SMD 100K OHM 1% 1/4W
24	9	R2 R4 R5 R6 R7 R8 R10 R12 R14		Panasonic	ERJ-3GEY0R00V	ERA-0603	RES SMD 0 OHM JUMPER 1/10W

## MxL7704 EVB Bill of Materials (continued)

**Table 4: MxL7704-X-EVB Bill of Materials (continued)**

Item	Qty	Reference Designator	Manufacturer	Part Number	Package Size	Component
25	1	R9	Panasonic	ERJ-3GEYJ100V	ERA-0603	RES SMD 10 OHM 5% 1/10W
26	6	R15 R16 R17 R18 R19 R20	Panasonic	ERJ-3GEYJ472V	ERA-0603	RES SMD 4.7K OHM 5% 1/10W



**MaxLinear, Inc.**  
 5966 La Place Court, Suite 100  
 Carlsbad, CA 92008  
 760.692.0711 p  
 760.444.8598 f  
[www.maxlinear.com](http://www.maxlinear.com)

The content of this document is furnished for informational use only, is subject to change without notice, and should not be construed as a commitment by MaxLinear, Inc. MaxLinear, Inc. assumes no responsibility or liability for any errors or inaccuracies that may appear in the informational content contained in this guide. Complying with all applicable copyright laws is the responsibility of the user. Without limiting the rights under copyright, no part of this document may be reproduced into, stored in, or introduced into a retrieval system, or transmitted in any form or by any means (electronic, mechanical, photocopying, recording, or otherwise), or for any purpose, without the express written permission of MaxLinear, Inc.

MaxLinear, Inc. does not recommend the use of any of its products in life support applications where the failure or malfunction of the product can reasonably be expected to cause failure of the life support system or to significantly affect its safety or effectiveness. Products are not authorized for use in such applications unless MaxLinear, Inc. receives, in writing, assurances to its satisfaction that: (a) the risk of injury or damage has been minimized; (b) the user assumes all such risks; (c) potential liability of MaxLinear, Inc. is adequately protected under the circumstances.

MaxLinear, Inc. may have patents, patent applications, trademarks, copyrights, or other intellectual property rights covering subject matter in this document. Except as expressly provided in any written license agreement from MaxLinear, Inc., the furnishing of this document does not give you any license to these patents, trademarks, copyrights, or other intellectual property.

MaxLinear, the MaxLinear logo, and any MaxLinear trademarks, MxL, Full-Spectrum Capture, FSC, G.now, AirPHY and the MaxLinear logo are all on the products sold, are all trademarks of MaxLinear, Inc. or one of MaxLinear's subsidiaries in the U.S.A. and other countries. All rights reserved. Other company trademarks and product names appearing herein are the property of their respective owners.

## X-ON Electronics

Largest Supplier of Electrical and Electronic Components

*Click to view similar products for [Power Management IC Development Tools](#) category:*

*Click to view products by [MaxLinear](#) manufacturer:*

Other Similar products are found below :

[EVB-EP5348UI](#) [DA9063-EVAL](#) [BQ24010EVM](#) [BQ24075TEVM](#) [BQ24155EVM](#) [BQ24157EVM-697](#) [BQ24160EVM-742](#) [BQ25010EVM](#)  
[BQ27411EVM-G1A](#) [NCV891330PD50GEVB](#) [KIT9Z1J638EVM](#) [LM3658SD-AEV/NOPB](#) [LM3691TL-1.8EV/NOPB](#) [REG710EVM-5](#)  
[TLV61220EVM-120](#) [TPS54528EVM-052](#) [TPS54541EVM-555](#) [TPS54980EVM-022](#) [TPS65010EVM-230](#) [TPS65252EVM](#)  
[TPS72728YFFEVM-407](#) [TPS78233EVM-445](#) [BQ24120EVM-001](#) [BQ24163EVM-742](#) [BQ24212EVM-678](#) [BQ25050EVM](#) [BQ3050EVM-](#)  
[001](#) [ISL9520EVAL1Z](#) [UCC3809EVM](#) [KITPT2000FRDM3C](#) [LM25017MRFBEVM](#) [LM2696EVAL](#) [LM2852X-1.8EVAL](#) [LM2852Y-](#)  
[2.5EVAL](#) [XILINXPWR-083](#) [LM34910EVAL](#) [LM3691TL-1.2EV/NOPB](#) [LM5018ISOEVAL/NOPB](#) [SOT23-3EV-VREG](#) [SOT89-3EV-VREG](#)  
[TPS2458EVM](#) [TPS54229EEVM-056](#) [TPS54329EEVM-056](#) [TPS62050EVM-234](#) [TPS62102EVM](#) [TPS65251EVM](#) [TPS78601DRBEVM](#)  
[TPS78633EVM-207](#) [TPS82690EVM-646](#) [TPS54428EVM-052](#)