



Product Brief

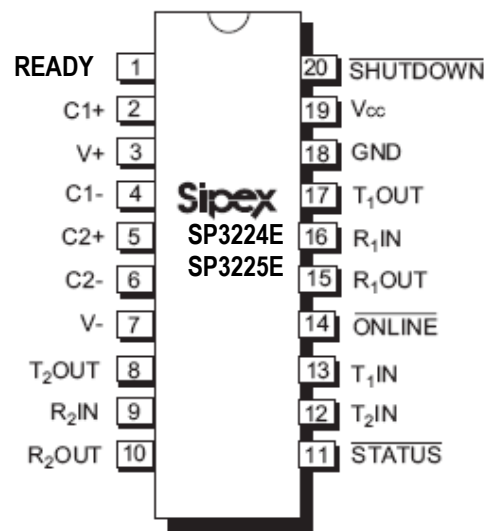
SP3224E 3.3V or 5V RS-232 Transceivers with Auto On-Line Plus™

Key Features

- 2-driver, 2-receiver RS-232 transceiver
- Pin compatible to earlier SP3223E/EB
- Enhanced power savings compared to SP3223 type devices
- 250kbps slew-limited data rate
- Auto Online Plus™ automatically puts device into 1µA shutdown mode if Tx Inputs and Rx Inputs are idle for 30 seconds
- Device re-awakes on bus activity
- No control inputs or software driver changes required
- Meets true EIA/TIA-232-F requirements from a +3.0V to +5.5V power supply
- Regulated Charge Pump for stable outputs regardless of V_{CC} variations
- Upgradeable to SP3225E for 1Mbps high-speed serial
- ESD Specifications:
 - ±15KV Human Body Model
 - ±8KV IEC1000-4-2 Contact Discharge

Value Proposition

The AUTO ON-LINE PLUS® feature allows the device to automatically "wake-up" during a shutdown state upon detecting activity and to enter a low power shutdown if idle. This power saving feature functions without system intervention or modifications to software or drivers.



Typical Applications

- Power-saving RS232 transceiver:
- Ideal for computer, telecom, consumer and general embedded applications
 - Diagnostic upload ports
 - Synch cables/cradles for handhelds
 - Use in conjunction with low-voltage UARTs or microcontrollers
 - Cross with MAX3224, ICL3224

3.3V or 5V RS-232 Transceivers with Auto On-Line Plus™

Selection Guide

Part Number	Temp.	Package	RoHS
SP3224ECA-L	0 to +70°C	20 pin SSOP	Y
SP3224ECY-L	0 to +70°C	20 pin TSSOP	Y
SP3224EEA-L	-40 to 85°C	20 pin SSOP	Y
SP3224EEY-L	-40 to 85°C	20 pin TSSOP	Y

Competitive Analysis

Vendor	Part Number	Cross-Type
Direct Equivalents		
Maxim	MAX3224	Drop-In
Intersil	ICL3224	Drop-In
Similar Devices (without Auto On-Line Plus)		
Sipex	SP3223EB	Pin-compatible
Maxim	MAX3223	Pin-compatible
Intersil	ICL3223	Pin-compatible
TI	MAX3223	Pin-compatible

X-ON Electronics

Largest Supplier of Electrical and Electronic Components

Click to view similar products for [RS-232 Interface IC category](#):

Click to view products by [MaxLinear manufacturer](#):

Other Similar products are found below :

[062191EB](#) [CH438L](#) [LT1039CN](#) [MAX3386ECPWR](#) [TRS222IDWR](#) [MAX232INE4](#) [MAX3232CPW](#) [MAX204CWE+](#) [TRS3243EIDWR](#)
[TRS3232EIDWR](#) [SN65C3232EDWR](#) [ADM208ARZ-REEL](#) [LT1780CSW#PBF](#) [LT1237CSW#PBF](#) [LT1281AISW#PBF](#) [LTC1337CSW#PBF](#)
[LT1180ACN#PBF](#) [LTC1343CGW#PBF](#) [LT1237CNW#PBF](#) [LT1039CN#PBF](#) [LT1032CSW#PBF](#) [LT1130ACSW#PBF](#) [LTC1349ISW#PBF](#)
[LT1032ISW#PBF](#) [LTM2882IY-3#PBF](#) [LT1140ACN#PBF](#) [LTC1384IG#PBF](#) [LTC1383CS#PBF](#) [LT1280AIN#PBF](#) [LT1080ISW#PBF](#)
[LTC2845IG#PBF](#) [LTC1383CN#PBF](#) [LTC2845CG#PBF](#) [LTC2846CG#PBF](#) [LTC1385IG#PBF](#) [LTC1384CG#PBF](#) [LT1781IS#PBF](#)
[LT1081IN#PBF](#) [SN75188DE4](#) [LTC1350CNW](#) [MAX3209EEUU+T](#) [AD7306AR](#) [AD7306ARZ](#) [AD7306JNZ](#) [AD7306JRZ](#)
[ADM3311EARSZ-REEL](#) [ADM3310EACPZ-REEL7](#) [ADM3202ARUZ-REEL7](#) [ADM101EARMZ-REEL7](#) [ADM1181AAN](#)