

GENERAL DESCRIPTION

The SP809/SP810 are low power microprocessor (μ P) supervisory circuits used to monitor power supplies in μ P and digital systems.

They provide applications with benefits of circuit reliability and low cost by eliminating external components. If the VCC supply voltage falls below preset threshold then a reset signal is asserted for at least 140ms after VCC has risen above the reset threshold.

Both the SP809 and SP810 were designed with a reset comparator to help identify invalid signals, which last less than 140ms. The only difference between them is that they have an active-low $\overline{\text{RESET}}$ output and active-high RESET output, respectively. Low supply current (1 μ A) makes SP809/SP810 ideal for portable equipment.

The devices are available in 3 pin SOT-23 package.

APPLICATIONS

- **Portable Electronic Devices**
- **Electrical Power Meters**
- **Digital Still Cameras**
- **μ P Power Monitoring**

FEATURES

- **Ultra Low Supply Current 1 μ A (typ)**
- **Guaranteed Reset valid to VCC = 0.9V**
- **140ms Power-On Reset Pulse Width**
- **Internally Fixed Threshold
2.3V, 2.6V, 2.9V, 3.1V, 4.4V, 4.6V**
- **1.5% Voltage Threshold Tolerance**
- **3 Pin SOT-23 Package**

Part Number	Output Type
SP809N	Open Drain Active Low
SP809	Push-Pull Low
SP810	Push-Pull Active High

TYPICAL APPLICATION DIAGRAM

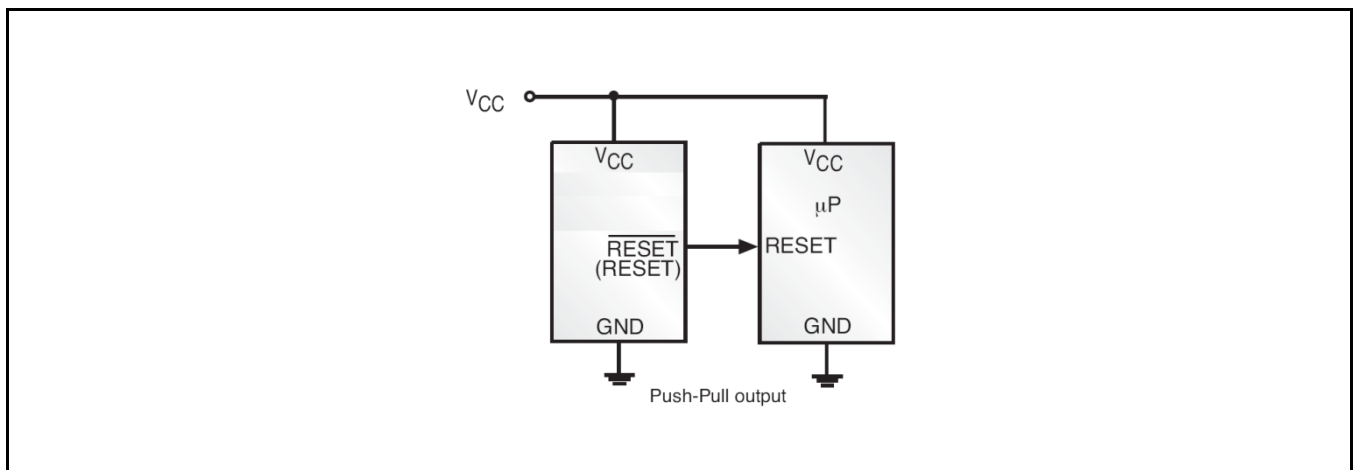


Fig. 1: SP809 / SP810 Application Diagram

ABSOLUTE MAXIMUM RATINGS

These are stress ratings only and functional operation of the device at these ratings or any other above those indicated in the operation sections of the specifications below is not implied. Exposure to absolute maximum rating conditions for extended periods of time may affect reliability.

V_{CC} -0.3V to 6.5V
 RESET, $\overline{\text{RESET}}$ -0.3V to $V_{CC}+0.3V$
 Output Current (RESET, $\overline{\text{RESET}}$) 20mA
 Power Dissipation ($T_A=70^\circ\text{C}$) 320mW
 Junction Temperature 125°C
 Storage Temperature -65°C to 150°C

OPERATING RATINGS

Input Voltage Range V_{CC} 0.9V to 6V
 Junction Temperature Range -40°C to 85°C

ELECTRICAL SPECIFICATIONS

Specifications with standard type are for an Operating Temperature of $T_A = 25^\circ\text{C}$ only; limits applying over the full Operating Temperature range are denoted by a "•". Minimum and Maximum limits are guaranteed through test, design, or statistical correlation. Typical values represent the most likely parametric norm at $T_A = 25^\circ\text{C}$, and are provided for reference purposes only. Unless otherwise indicated, $T_A = 25^\circ\text{C}$.

Parameter	Min.	Typ.	Max.	Units	Conditions
Operating Voltage Range V_{CC}	0.9		6.0	V	
Supply Current I_{CC}		1.0	3.0	μA	$V_{CC}=V_{TH}+0.1V$
Reset Threshold V_{TH}	2.265	2.3	2.335	V	$T_A = +25^\circ\text{C}$
	2.254		2.346		• $T_A = -40^\circ\text{C}$ to 85°C
	2.561	2.6	2.639		$T_A = +25^\circ\text{C}$
	2.548		2.652		• $T_A = -40^\circ\text{C}$ to 85°C
	2.857	2.9	2.944		$T_A = +25^\circ\text{C}$
	2.842		2.958		• $T_A = -40^\circ\text{C}$ to 85°C
	3.054	3.1	3.147		$T_A = +25^\circ\text{C}$
	3.038		3.162		• $T_A = -40^\circ\text{C}$ to 85°C
	4.334	4.4	4.466		$T_A = +25^\circ\text{C}$
	4.312		4.488		• $T_A = -40^\circ\text{C}$ to 85°C
	4.531	4.6	4.669		$T_A = +25^\circ\text{C}$
	4.508		4.692		• $T_A = -40^\circ\text{C}$ to 85°C
V_{CC} Reset Delay t_{TRIP}		20		μs	$V_{CC}=V_{TH}$ to $(V_{TH} - 0.1V)$, $V_{TH}=3.1V$
Reset Active Timeout Period t_{RP}	140	230	560	ms	$T_A = +25^\circ\text{C}$
	100		1030		• $T_A = -40^\circ\text{C}$ to 85°C
RESET Output Voltage V_{OH}	$0.8V_{CC}$			V	$V_{CC}=V_{TH} - 0.1V$, $I_{SOURCE} = 1.2\text{mA}$
RESET Output Voltage V_{OL}			0.3		$V_{CC}=V_{TH} + 0.1V$, $I_{SINK} = 1.2\text{mA}$
$\overline{\text{RESET}}$ Output Voltage V_{OH}	$0.8V_{CC}$			V	$V_{CC}=V_{TH} + 0.1V$, $I_{SOURCE} = 1.2\text{mA}$
$\overline{\text{RESET}}$ Output Voltage V_{OL}			0.3		$V_{CC}=V_{TH} - 0.1V$, $I_{SINK} = 1.2\text{mA}$

Note 1: $\overline{\text{RESET}}$ output is for SP809; RESET output is for SP810.

BLOCK DIAGRAM

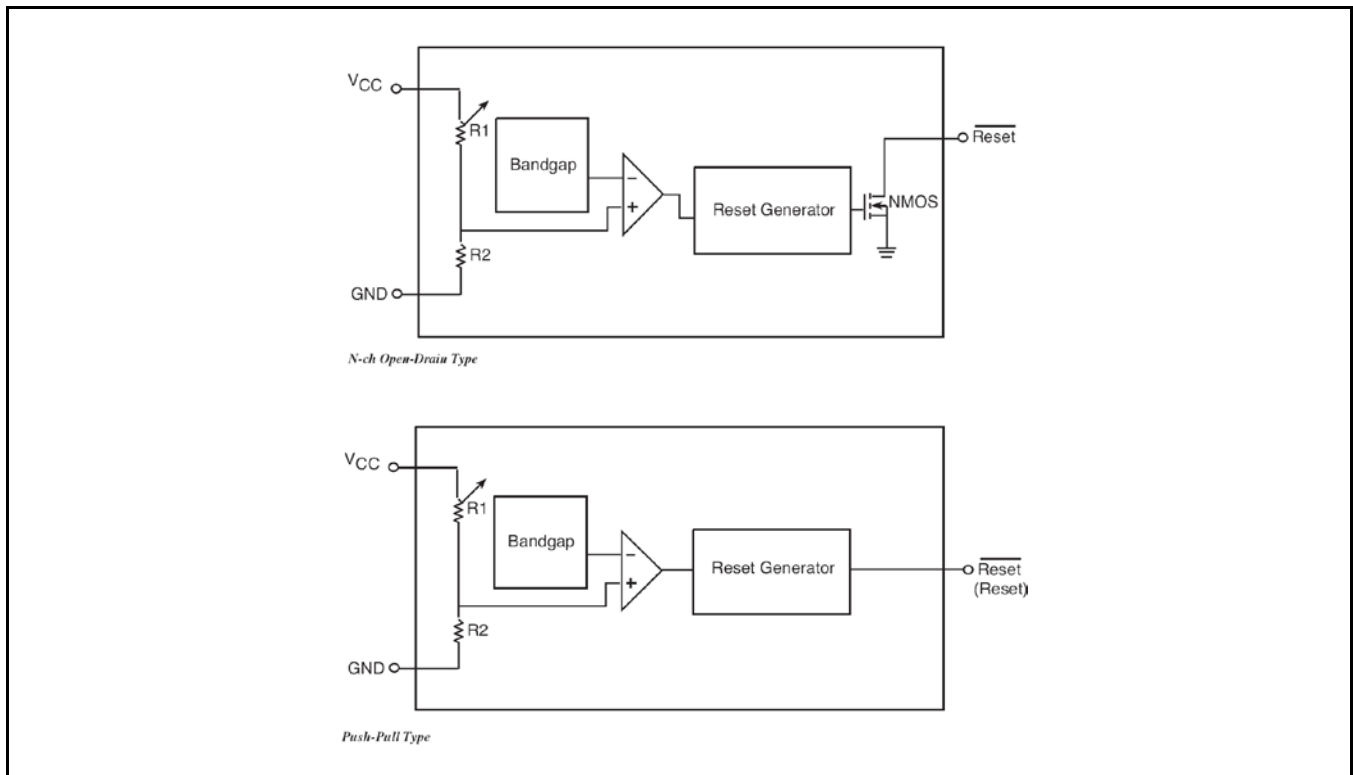


Fig. 2: SP809 / SP810 Block Diagram

PIN ASSIGNMENT

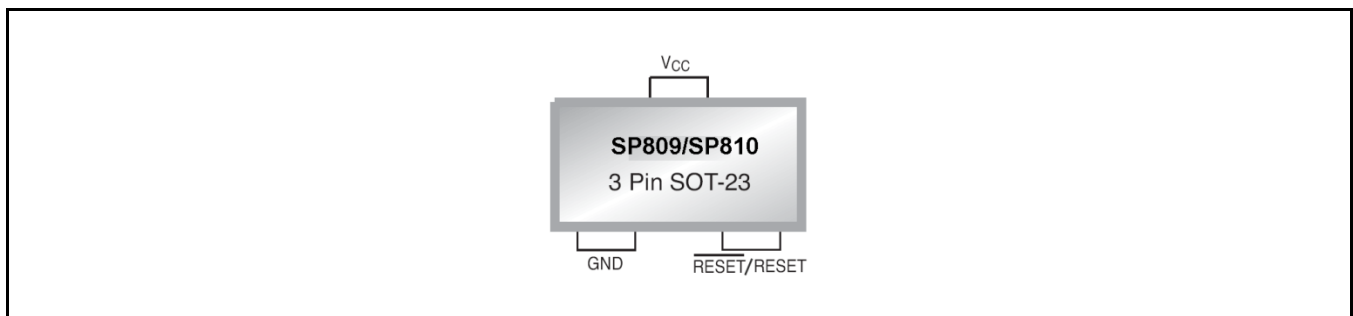


Fig. 3: SP809 / SP810 Pin Assignment

PIN DESCRIPTION

Name	Pin Number	Description
GND	1	Ground Signal
$\overline{\text{RESET}}$	2	Active Low Output Pin. RESET Output remains high while VCC is below the reset threshold
RESET		Active High Output Pin. RESET Output remains high while VCC is below the reset threshold
V _{CC}	3	Supply Voltage

ORDERING INFORMATION⁽¹⁾

Part Number	Operating Temperature Range	Lead-Free	Package	Packing Method
SP809EK-L-2-3/TR	-40°C ≤ T _A ≤ +85°C	Yes ⁽²⁾	SOT23-3	Tape & Reel
SP809EK-L-2-6/TR				
SP809EK-L-2-9/TR				
SP809EK-L-3-1/TR ⁽³⁾				
SP809EK-L-4-6/TR ⁽³⁾				
SP809NEK-L-2-3/TR ⁽³⁾				
SP809NEK-L-2-9/TR ⁽³⁾				
SP809NEK-L-3-1/TR				
SP809NEK-L-4-6/TR ⁽³⁾				
SP810EK-L-4-4/TR ⁽³⁾				

NOTES:

1. Refer to www.exar.com/SP809 and www.exar.com/SP810 for most up-to-date Ordering Information.
2. Visit www.exar.com for additional information on Environmental Rating.
3. NRND – Not Recommended for New Designs.

TYPICAL PERFORMANCE CHARACTERISTICS

All data taken at $T_A = 25^\circ\text{C}$, unless otherwise specified - Schematic and BOM from Application Information section of this datasheet.

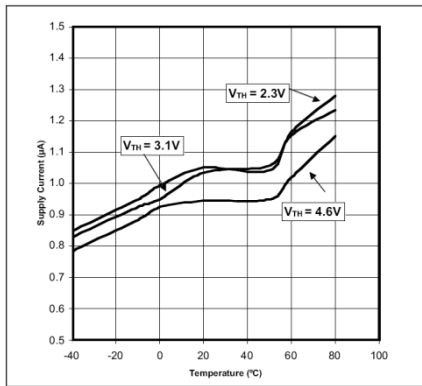


Fig. 4: Supply Current versus Temperature

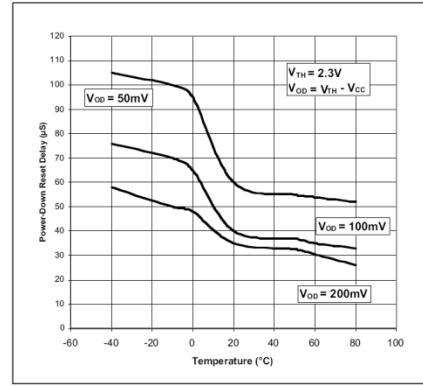


Fig. 5: Power-Down Reset Delay versus Temperature

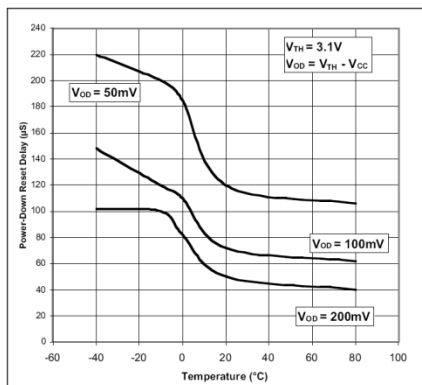


Fig. 6: Power-Down Reset Delay versus Temperature

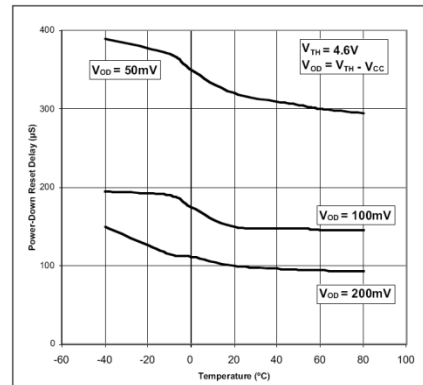


Fig. 7: Power-Down Reset Delay versus Temperature

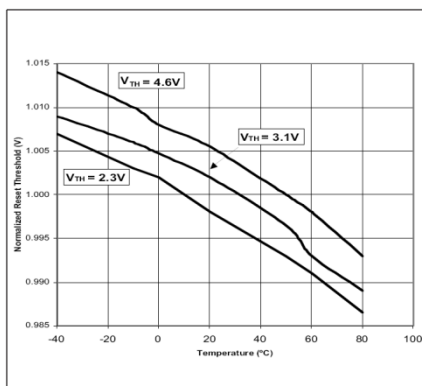


Fig. 8: Normalized Reset Threshold versus Temperature

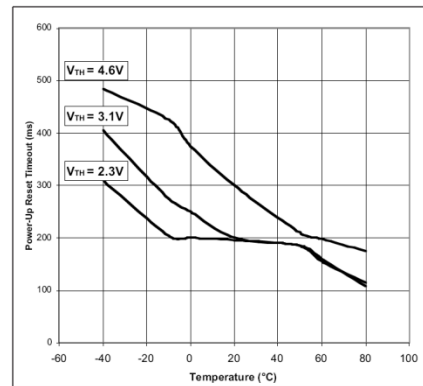


Fig. 9: Power-Up Reset Time-out versus Temperature

THEORY OF OPERATION

μ P will be activated at a valid reset state. These μ P supervisory circuits assert reset to prevent code execution errors during power-up, power-down, or brownout conditions.

Reset is guaranteed to be a logic low for $V_{TH} > V_{CC} > 0.9V$. Once V_{CC} exceeded the reset threshold, an internal timer keeps RESET low for the reset timeout period; after this interval, RESET goes high.

If a brownout condition occurs (V_{CC} drops below the reset threshold), RESET goes low. Any time V_{CC} goes below the reset threshold, the internal timer resets to zero, and RESET goes low. The internal timer is activated after V_{CC} returns above the reset threshold, and RESET remains low for the reset timeout period.

BENEFIT OF HIGHLY ACCURATE RESET THRESHOLD

SP809/810 with specified voltage as $5V \pm 10\%$ or $3V \pm 10\%$ are ideal for systems using a

APPLICATION INFORMATION

NEGATIVE GOING V_{CC} TRANSIENTS

In addition to issuing a reset to the μ P during power-up, power-down, and brownout conditions, SP809 series are relatively resistant to short-duration negative-going V_{CC} transient.

ENSURING A VALID RESET OUTPUT DOWN TO $V_{CC}=0$

When V_{CC} falls below 0.9V, SP809 RESET output no longer sinks current; it becomes an open circuit. In this case, high-impedance CMOS logic inputs connecting to RESET can drift to undetermined voltages. Therefore, SP809/810 with CMOS is perfect for most applications of V_{CC} down to 0.9V.

However in applications where RESET must be valid down to 0V, adding a pull-down resistor to RESET causes any leakage currents to flow to ground, holding RESET low.

$5V \pm 5\%$ or $3V \pm 5\%$ power supply. The reset is guaranteed to assert after the power supply falls below the minimum specified operating voltage range of the system ICs. The pre-trimmed thresholds are reducing the range over which an undesirable reset may occur.

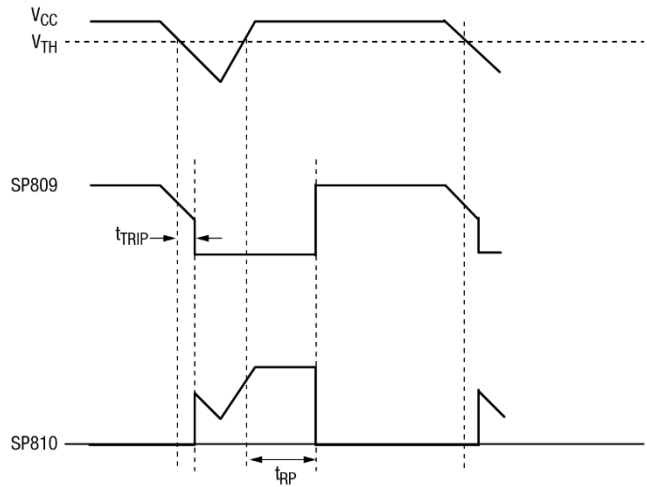


Fig. 10: Timing Waveforms

INTERFACING TO μ P WITH BIDIRECTIONAL RESET PINS

The RESET output on the SP809N is open drain, this device interfaces easily with μ Ps that have bidirectional reset pins. Connecting the μ P supervisor's RESET output directly to the microcontroller's RESET pin with a single pull-up resistor allows either device to assert reset.

TEST CIRCUIT

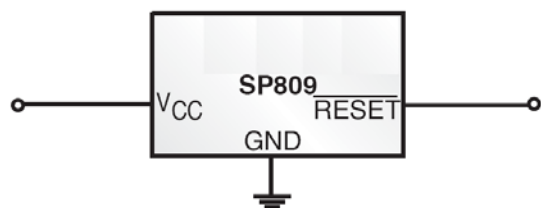
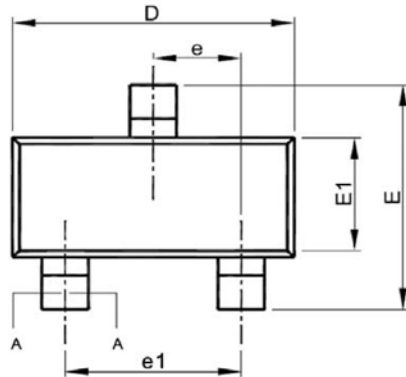


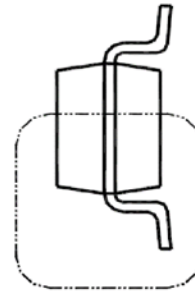
Fig. 11: Test Circuit

PACKAGE SPECIFICATION

3-PIN SOT23

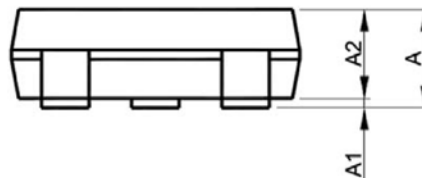


TOP VIEW



SEE VIEW B

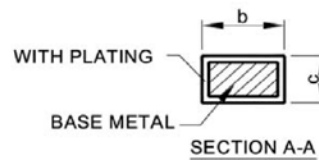
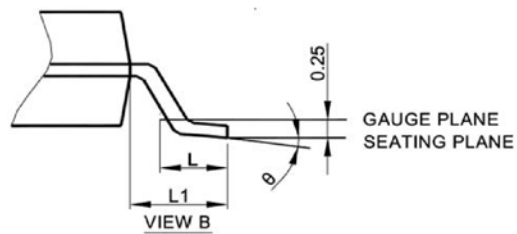
BOTTOM VIEW



SIDE VIEW

SYMBOL	SOT-23	
	MILLIMETERS	
	MIN.	MAX.
A	0.95	1.45
A1	0.00	0.15
A2	0.90	1.30
b	0.30	0.50
c	0.08	0.22
D	2.80	3.00
E	2.60	3.00
E1	1.50	1.70
e	0.95 BSC	
e1	1.90 BSC	
L	0.30	0.60
L1	0.60 REF	
θ	0°	8°

TERMINAL DETAILS



1. Refer to Jeduc MO-178
2. Dimension "D" does not include mold flash, protrusions or gate burrs.
Mold flash, protrusion or gate burrs shall not exceed 10mils per side.
3. Dimension "E1" does not include inter-lead flash or protrusions.
4. All dimensions are millimeters.

Drawing No - POD - 00000128

Revision: A

REVISION HISTORY

Revision	Date	Description
2.0.0	2011	Reformat of Datasheet Correction of package drawing
2.0.1	August 2017	Correct Reset Delay conditions. Updated to MaxLinear logo. Updated format and ordering information table.
2.0.2	November 2017	Corrected typo from rev 2.0.1, added 2 missing overlines to RESET in Electrical Specifications.

**Corporate Headquarters:**

5966 La Place Court
Suite 100
Carlsbad, CA 92008
Tel.: +1 (760) 692-0711
Fax: +1 (760) 444-8598
www.maxlinear.com

High Performance Analog:

1060 Rincon Circle
San Jose, CA 95131
Tel.: +1 (669) 265-6100
Fax: +1 (669) 265-6101
Email: powertechsupport@exar.com
www.exar.com

The content of this document is furnished for informational use only, is subject to change without notice, and should not be construed as a commitment by MaxLinear, Inc.. MaxLinear, Inc. assumes no responsibility or liability for any errors or inaccuracies that may appear in the informational content contained in this guide. Complying with all applicable copyright laws is the responsibility of the user. Without limiting the rights under copyright, no part of this document may be reproduced into, stored in, or introduced into a retrieval system, or transmitted in any form or by any means (electronic, mechanical, photocopying, recording, or otherwise), or for any purpose, without the express written permission of MaxLinear, Inc.

Maxlinear, Inc. does not recommend the use of any of its products in life support applications where the failure or malfunction of the product can reasonably be expected to cause failure of the life support system or to significantly affect its safety or effectiveness. Products are not authorized for use in such applications unless MaxLinear, Inc. receives, in writing, assurances to its satisfaction that: (a) the risk of injury or damage has been minimized; (b) the user assumes all such risks; (c) potential liability of MaxLinear, Inc. is adequately protected under the circumstances.

MaxLinear, Inc. may have patents, patent applications, trademarks, copyrights, or other intellectual property rights covering subject matter in this document. Except as expressly provided in any written license agreement from MaxLinear, Inc., the furnishing of this document does not give you any license to these patents, trademarks, copyrights, or other intellectual property.

Company and product names may be registered trademarks or trademarks of the respective owners with which they are associated.

© 2011 – 2017 MaxLinear, Inc. All rights reserved.

X-ON Electronics

Largest Supplier of Electrical and Electronic Components

Click to view similar products for [Supervisory Circuits](#) category:

Click to view products by [MaxLinear](#) manufacturer:

Other Similar products are found below :

[CAT1161LI-25-G](#) [CAT853STBI-T3](#) [CAT1026LI-30-G](#) [CAT1320LI-25-G](#) [TC54VN2402EMB713](#) [MCP1316T-44NE/OT](#) [MCP1316MT-45GE/OT](#) [MCP1316MT-23LI/OT](#) [MCP1316T-26LE/OT](#) [MAX8997EWW+](#) [MAX6725AKASYD3-LF-T](#) [DS1232L](#) [NCV302HSN45T1G](#) [PT7M6130NLTA3EX](#) [PT7M7811STBEX-2017](#) [S-1000N28-I4T1U](#) [CAT1161LI-28-G](#) [MCP1321T-29AE/OT](#) [MCP1319MT-47QE/OT](#) [S-1000N23-I4T1U](#) [S-1000N19-I4T1U](#) [CAT824UTDI-GT3](#) [TC54VC2502ECB713](#) [PT7M6133NLTA3EX](#) [PT7M6127NLTA3EX](#) [AP0809ES3-r](#) [HG811RM4/TR](#) [MD7030C](#) [MD7033C](#) [MD7019](#) [MD7020](#) [MD7021](#) [MD7023](#) [MD7024](#) [MD7027](#) [MD7030](#) [MD7033](#) [MD7035](#) [MD7036](#) [MD7039](#) [MD7040](#) [MD7044](#) [MD7050](#) [MD7015](#) [MD7022](#) [MD7028](#) [MD7031](#) [MD7042](#) [MD7043](#) [MD7047](#)