

## 1、订货代码 HOW TO ORDER

举例 For example

|    |      |   |     |   |   |    |   |
|----|------|---|-----|---|---|----|---|
| XR | 0307 | — | 220 | K | P | 52 | E |
| ↓  | ↓    |   | ↓   | ↓ | ↓ | ↓  | ↓ |
| A  | B    |   | C   | D | E | F  | G |

A:

|                      |                                      |
|----------------------|--------------------------------------|
| 产品类别<br>Product type |                                      |
| XR                   | 轴向色码电感器<br>Axial color code inductor |

C:

|   |  |
|---|--|
| 标称电感量<br>Nominal inductance (μH)  |  |
| 前两位数字为有效数字，后一位数字表示零的个数。<br>The first two digits are significant, and the third digit is number of zero. |  |
| * 例如 For example : 101=100μH ;<br>5R6=5.6μH R22=0.22μ H   |  |

E:

|                         |    |                              |
|-------------------------|----|------------------------------|
| 包装方式<br>Packaging style |    |                              |
| 编带<br>Tape & reel       | P  | 盒带包装<br>Ammo                 |
|                         | T  | 卷带包装<br>Reel                 |
| 散包装<br>Bulk             | F  | 直脚轴向<br>Axial                |
|                         | L  | 直脚成型<br>Straight lead formed |
|                         | V  | 弯脚成型<br>Bent lead formed     |
|                         | VK | 弯脚 K 型<br>Bent lead K formed |

G:

|              |                      |
|--------------|----------------------|
| 备注<br>Remark |                      |
| E            | 无铅<br>Lead Free      |
| 空格<br>Blank  | 含铅<br>Lead Contained |



B:

|                         |                        |                        |
|-------------------------|------------------------|------------------------|
| 尺寸<br>Dimensions ( mm ) |                        |                        |
| 类型<br>Type              | 外径<br>D <sub>max</sub> | 体长<br>L <sub>max</sub> |
| 0204                    | 2.3                    | 4.2                    |
| 0307                    | 2.8                    | 7.0                    |
| 0410                    | 4.0                    | 10.5                   |
| 0510                    | 5.0                    | 10.5                   |

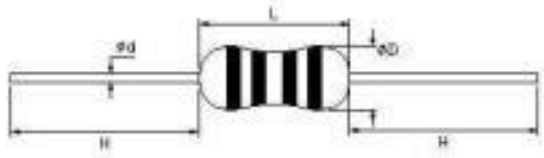
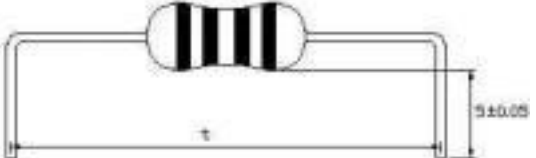
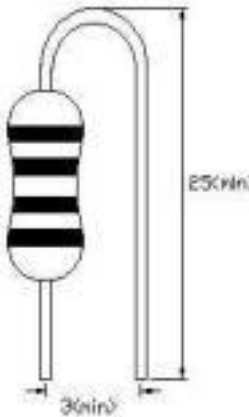
D:

|                   |       |
|-------------------|-------|
| 感量偏差<br>Tolerance |       |
| J                 | ±5.0% |
| K                 | ±10%  |
| M                 | ±20%  |

F:

|                            |    |                                     |
|----------------------------|----|-------------------------------------|
| 引脚形式<br>Lead configuration |    |                                     |
| 编带<br>Tape & reel          | 26 | 编带内距 : 26mm<br>Tape width:          |
|                            | 52 | 编带内距 : 52mm<br>Tape width:          |
| 引脚成型<br>Formed lead        | 05 | 引脚脚距 : 5.08mm<br>Formed lead pitch: |
|                            | 07 | 引脚脚距 : 7.5mm<br>Formed lead pitch:  |
|                            | 10 | 引脚脚距 : 10.0mm<br>Formed lead pitch: |
|                            | 12 | 引脚脚距 : 12.5mm<br>Formed lead pitch: |
|                            | 15 | 引脚脚距 : 15.0mm<br>Formed lead pitch: |
|                            | 17 | 引脚脚距 : 17.5mm<br>Formed lead pitch: |
|                            | 20 | 引脚脚距 : 20.0mm<br>Formed lead pitch: |

## 2、外形尺寸 EXTERNAL DIMENSIONS

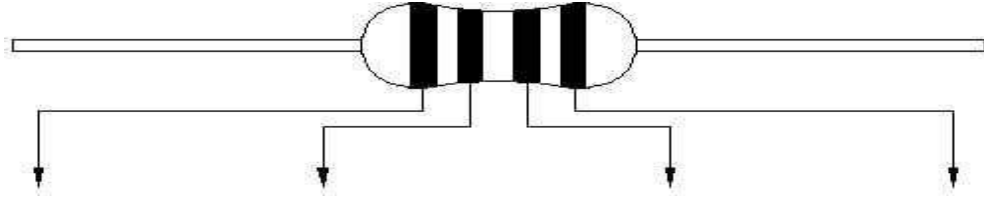
| 类型<br>Type | 尺寸<br>Body size ( mm ) |          |  |               |          | <br>轴向 ( Axial )                           |
|------------|------------------------|----------|--|---------------|----------|--|
|            | $\phi D \leq$          | $L \leq$ | t  | $\phi d$      | $H \geq$ |  |
| XR0204     | 2.3                    | 4.2      | t = 5.08±0.6<br>t = 7.50±0.6                                 | 0.50<br>±0.05 | 20       | <br>直脚成型 ( L type )                        |
| XR0307     | 2.8                    | 7.0      | t = 10.0±0.6<br>t = 12.5±0.6                                 | 0.50<br>±0.05 |          | <br>弯脚成型 ( V type )    弯脚 K 型 ( VK type ) |
| XR0410     | 4.0                    | 10.5     | t = 12.5±0.6<br>t = 15.0±0.6<br>t = 17.5±0.6<br>t = 20.0±0.6 | 0.60<br>±0.05 |          |  |
| XR0510     | 5.0                    | 10.5     | t = 15.0±0.6<br>t = 17.5±0.6<br>t = 20.0±0.6                 | 0.65<br>±0.05 |          |  |

## 3、产品结构 STRUCTURE



| 序号<br>NO.             | ① 磁芯<br>Core   | ② 漆包线<br>Wire          | ③ 引脚<br>Lead               | ④ 涂覆层<br>Coating    | ⑤ 色码<br>Color code                      |
|-----------------------|----------------|------------------------|----------------------------|---------------------|---|
| 材料名称<br>Material name | 铁氧体<br>Ferrite | 漆包铜线<br>Enamelled wire | 镀锡铜线<br>Tinned copper wire | 环氧树脂<br>Epoxy resin | 环氧色漆<br>Epoxy paint for<br>Color coding |

## 4、色码标记代号 MARKING



|             | 标称电感量<br>Nominal inductance ( $\mu\text{H}$ ) |                                    |                                    | 感量偏差<br>Tolerance                  |
|-------------|---|------------------------------------|------------------------------------|------------------------------------|
|             | 第一色环<br>1 <sup>st</sup> color zone            | 第二色环<br>2 <sup>nd</sup> color zone | 第三色环<br>3 <sup>rd</sup> color zone | 第四色环<br>4 <sup>th</sup> color zone |
|             | 第一数字<br>1 <sup>st</sup> digit                 | 第二数字<br>2 <sup>nd</sup> digit      | 第三数字<br>3 <sup>rd</sup> digit      |                                    |
| 黑<br>Black  | 0   | 0                                  | $\times 10^0 ( 1 )$                | M : $\pm 20\%$                     |
| 棕<br>Brown  | 1   | 1                                  | $\times 10^1 ( 10 )$               |                                    |
| 红<br>Red    | 2   | 2                                  | $\times 10^2 ( 100 )$              |                                    |
| 橙<br>Orange | 3   | 3                                  | $\times 10^3 ( 1000 )$             |                                    |
| 黄<br>Yellow | 4   | 4                                  | $\times 10^4 ( 10000 )$            |                                    |
| 绿<br>Green  | 5   | 5                                  | $\times 10^5 ( 100000 )$           |                                    |
| 蓝<br>Blue   | 6   | 6                                  |                                    |                                    |
| 紫<br>Purple | 7   | 7                                  |                                    |                                    |
| 灰<br>Gray   | 8   | 8                                  |                                    |                                    |
| 白<br>White  | 9   | 9                                  |                                    |                                    |
| 金<br>Gold   | /   | /                                  | $\times 10^{-1} ( 0.1 )$           | J : $\pm 5\%$                      |
| 银<br>Silver | /   | /                                  | $\times 10^{-2} ( 0.01 )$          | K : $\pm 10\%$                     |

\*例如 e.g. :

标称电感量及偏差为 22 $\mu\text{H}$ , $\pm 5\%$ 的电感器其色码为：红+红+黑+金；

If nominal inductance & tolerance is 22 $\mu\text{H}$ , $\pm 5\%$ , respectively red+red+black+gold should be marked;

标称电感量及偏差为 1.0 $\mu\text{H}$ , $\pm 10\%$ 的电感器其色码为：棕+黑+金+银；

If nominal inductance & tolerance is 1.0 $\mu\text{H}$ , $\pm 10\%$ , respectively brown+black+gold+silver should be marked;

标称电感量及偏差为 0.22 $\mu\text{H}$ , $\pm 20\%$ 的电感器其色码为：红+红+银+黑。

If nominal inductance & tolerance is 0.22 $\mu\text{H}$ , $\pm 20\%$ , respectively red+red+silver+black should be marked.

备注：XR0204 由于体长较小，只标注前三条代表标称电感量的色码。

NOTE: Only the first three color zones are marked on the body of XR0204, due to the small body size.

## 5、电性能参数及测试条件

### ELECTRICAL CHARACTERISTICS & TEST CONDITIONS

#### XR0204 型电感器电性能参数及测试条件

#### XR0204 TYPE INDUCTORS ELECTRICAL CHARACTERISTICS & TEST CONDITIONS

| XR0204<br>类型 Type           | 电感量<br>Inductance<br>( $\mu\text{H}$ ) | 误差<br>Tolerance   | Q<br>( min ) | 直流电阻<br>RDC<br>( $\Omega$ ) max | 测试频率<br>Test frequency<br>( MHz ) | 自谐频率<br>SRF<br>( MHz ) min | 额定电流<br>Rated current<br>$I_{dc}$ ( mA ) max |
|-----------------------------|--|-------------------|--------------|---------------------------------|-----------------------------------|----------------------------|--|
| XR0204-R22                  | 0.22                                   | M :<br>$\pm 20\%$ | 35           | 0.40                            | 25.2                              | 150                        | 400  |
| XR0204-R27                  | 0.27                                   |                   |              | 380                             |                                   |                            |  |
| XR0204-R33                  | 0.33                                   |                   |              | 370                             |                                   |                            |  |
| XR0204-R39                  | 0.39                                   |                   |              | 350                             |                                   |                            |  |
| XR0204-R47                  | 0.47                                   |                   |              | 330                             |                                   |                            |  |
| XR0204-R56                  | 0.56                                   |                   |              | 320                             |                                   |                            |  |
| XR0204-R68                  | 0.68                                   |                   |              | 310                             |                                   |                            |  |
| XR0204-R82                  | 0.82                                   |                   |              | 290                             |                                   |                            |  |
| XR0204-1R0                  | 1.0                                    |                   |              | 270                             |                                   |                            |  |
| XR0204-1R2                  | 1.2                                    |                   |              | K :<br>$\pm 10\%$               |                                   |                            | 40   |
| XR0204-1R5                  | 1.5                                    | 80                | 250          |                                 |                                   |                            |  |
| XR0204-1R8                  | 1.8                                    | 60                | 240          |                                 |                                   |                            |  |
| XR0204-2R2                  | 2.2                                    | 45                | 230          |                                 |                                   |                            |  |
| XR0204-2R7                  | 2.7                                    | 40                | 220          |                                 |                                   |                            |  |
| XR0204-3R3                  | 3.3                                    | 38                | 210          |                                 |                                   |                            |  |
| XR0204-3R9                  | 3.9                                    | 35                | 200          |                                 |                                   |                            |  |
| XR0204-4R7                  | 4.7                                    | 32                | 190          |                                 |                                   |                            |  |
| XR0204-5R6                  | 5.6                                    | 30                | 180          |                                 |                                   |                            |  |
| XR0204-6R8                  | 6.8                                    | 28                | 175          |                                 |                                   |                            |  |
| XR0204-8R2                  | 8.2                                    | 26                | 165          |                                 |                                   |                            |  |
| XR0204-100                  | 10                                     | 24                | 160          |                                 |                                   |                            |  |
| XR0204-120                  | 12                                     | 22                | 150          |                                 |                                   |                            |  |
| XR0204-150                  | 15                                     | 20                | 145          |                                 |                                   |                            |  |
| XR0204-180                  | 18                                     | 18                | 140          |                                 |                                   |                            |  |
| XR0204-220                  | 22                                     | 17                | 130          |                                 |                                   |                            |  |
| XR0204-270                  | 27                                     | 16                | 80           |                                 |                                   |                            |  |
| XR0204-330                  | 33                                     | 14                | 76           |                                 |                                   |                            |  |
| XR0204-390                  | 39                                     | 13                | 73           |                                 |                                   |                            |  |
| XR0204-470                  | 47                                     | 12                | 70           |                                 |                                   |                            |  |
| XR0204-560                  | 56                                     | 11                | 68           |                                 |                                   |                            |  |
| XR0204-680                  | 68                                     | 10                | 64           |                                 |                                   |                            |  |
| XR0204-820                  | 82                                     | 9.5               | 46           |                                 |                                   |                            |  |
| XR0204-101                  | 100                                    | 9.0               | 44           |                                 |                                   |                            |  |
| XR0204-121                  | 120                                    | 8.0               | 42           |                                 |                                   |                            |  |
| XR0204-151                  | 150                                    | 6.0               | 39           |                                 |                                   |                            |  |
| XR0204-181                  | 180                                    | 5.5               | 37           |                                 |                                   |                            |  |
| XR0204-221                  | 220                                    | 5.0               | 35           |                                 |                                   |                            |  |
| 测试仪器<br>Test equipment      | HP4285A (HP4286A ,<br>HP4287A)         |                   |              | HP4338B                         |                                   | HM9461                     | HP42841A                                     |
| 环境温度<br>Ambient temperature | 18 ~ 25°C                              |                   |              |                                 |                                   |                            |  |
| 环境湿度<br>Ambient humidity    | 45%~75%                                |                   |              |                                 |                                   |                            |  |

# 特殊要求的产品可以根据客户要求生产

The products can be customized according to customer requirement.

XR0307 型电感器电性能参数及测试条件  
 XR0307 TYPE INDUCTORS ELECTRICAL CHARACTERISTICS & TEST CONDITIONS

| XR0307<br>类型 Type           | 电感量<br>Inductance<br>( $\mu\text{H}$ ) | 误差<br>Tolerance   | Q<br>( min ) | 直流电阻<br>RDC<br>( $\Omega$ ) max | 测试频率<br>Test frequency<br>( MHz ) | 自谐频率<br>SRF<br>( MHz ) min | 额定电流<br>Rated current<br>$I_{DC}$ ( mA ) max |
|-----------------------------|--|-------------------|--------------|---------------------------------|-----------------------------------|----------------------------|--|
| XR0307-R22                  | 0.22                                   | M :<br>$\pm 20\%$ | 35           | 0.40                            | 25.2                              | 150                        | 400  |
| XR0307-R27                  | 0.27                                   |                   |              | 0.43                            |                                   |                            | 380  |
| XR0307-R33                  | 0.33                                   |                   |              | 0.48                            |                                   |                            | 370  |
| XR0307-R39                  | 0.39                                   |                   |              | 0.51                            |                                   |                            | 350  |
| XR0307-R47                  | 0.47                                   |                   |              | 0.56                            |                                   |                            | 330  |
| XR0307-R56                  | 0.56                                   |                   | 0.61         | 320                             |                                   |                            |  |
| XR0307-R68                  | 0.68                                   |                   | 0.67         | 310                             |                                   |                            |  |
| XR0307-R82                  | 0.82                                   |                   | 0.74         | 290                             |                                   |                            |  |
| XR0307-1R0                  | 1.0                                    |                   | 0.80         | 270                             |                                   |                            |  |
| XR0307-1R2                  | 1.2                                    |                   | 0.90         | 260                             |                                   |                            |  |
| XR0307-1R5                  | 1.5                                    |                   | 1.0          | 250                             |                                   |                            |  |
| XR0307-1R8                  | 1.8                                    |                   | 1.1          | 240                             |                                   |                            |  |
| XR0307-2R2                  | 2.2                                    |                   | 1.2          | 230                             |                                   |                            |  |
| XR0307-2R7                  | 2.7                                    |                   | 1.3          | 220                             |                                   |                            |  |
| XR0307-3R3                  | 3.3                                    |                   | 1.4          | 210                             |                                   |                            |  |
| XR0307-3R9                  | 3.9                                    |                   | 1.6          | 200                             |                                   |                            |  |
| XR0307-4R7                  | 4.7                                    |                   | 1.7          | 190                             |                                   |                            |  |
| XR0307-5R6                  | 5.6                                    |                   | 1.9          | 180                             |                                   |                            |  |
| XR0307-6R8                  | 6.8                                    |                   | 2.0          | 175                             |                                   |                            |  |
| XR0307-8R2                  | 8.2                                    |                   | 2.2          | 165                             |                                   |                            |  |
| XR0307-100                  | 10                                     | 2.5               | 160          |                                 |                                   |                            |  |
| XR0307-120                  | 12                                     | 2.5               | 150          |                                 |                                   |                            |  |
| XR0307-150                  | 15                                     | 2.8               | 145          |                                 |                                   |                            |  |
| XR0307-180                  | 18                                     | 3.1               | 140          |                                 |                                   |                            |  |
| XR0307-220                  | 22                                     | 3.4               | 130          |                                 |                                   |                            |  |
| XR0307-270                  | 27                                     | 3.8               | 125          |                                 |                                   |                            |  |
| XR0307-330                  | 33                                     | 4.1               | 120          |                                 |                                   |                            |  |
| XR0307-390                  | 39                                     | 4.5               | 115          |                                 |                                   |                            |  |
| XR0307-470                  | 47                                     | 4.9               | 110          |                                 |                                   |                            |  |
| XR0307-560                  | 56                                     | 5.3               | 105          |                                 |                                   |                            |  |
| XR0307-680                  | 68                                     | 5.8               | 100          |                                 |                                   |                            |  |
| XR0307-820                  | 82                                     | 6.3               | 95           |                                 |                                   |                            |  |
| XR0307-101                  | 100                                    | 7.0               | 90           |                                 |                                   |                            |  |
| XR0307-121                  | 120                                    | 13.0              | 90           |                                 |                                   |                            |  |
| XR0307-151                  | 150                                    | 15.0              | 85           |                                 |                                   |                            |  |
| XR0307-181                  | 180                                    | 16.0              | 80           |                                 |                                   |                            |  |
| XR0307-221                  | 220                                    | 17.0              | 75           |                                 |                                   |                            |  |
| XR0307-271                  | 270                                    | 19.0              | 65           |                                 |                                   |                            |  |
| XR0307-331                  | 330                                    | 20.0              | 60           |                                 |                                   |                            |  |
| XR0307-391                  | 390                                    | 22.0              | 55           |                                 |                                   |                            |  |
| XR0307-471                  | 470                                    | 24.0              | 55           |                                 |                                   |                            |  |
| XR0307-561                  | 560                                    | 26.0              | 50           |                                 |                                   |                            |  |
| XR0307-681                  | 680                                    | 28.0              | 45           |                                 |                                   |                            |  |
| XR0307-821                  | 820                                    | 30.0              | 40           |                                 |                                   |                            |  |
| XR0307-102                  | 1000                                   | 33.0              | 40           |                                 |                                   |                            |  |
| 测试仪器<br>Test equipment      | HP4285A (HP4286A , HP4287A)            |                   |              | HP4338B                         |                                   | HM9461                     | HP42841A                                     |
| 环境温度<br>Ambient temperature | 18 ~ 25°C                              |                   |              |                                 |                                   |                            |  |
| 环境湿度<br>Ambient humidity    | 45%~75%                                |                   |              |                                 |                                   |                            |  |

# 特殊要求的产品可以根据客户要求生产  
 The products can be customized according to customer requirement.

## XR0410 型电感器电性能参数及测试条件

## XR0410 TYPE INDUCTORS ELECTRICAL CHARACTERISTICS &amp; TEST CONDITIONS

| XR0410<br>类型 Type           | 电感量<br>Inductance<br>( $\mu\text{H}$ ) | 误差<br>Tolerance   | Q<br>( min ) | 直流电阻<br>RDC<br>( $\Omega$ ) max | 测试频率<br>Test frequency<br>( MHz ) | 自谐频率<br>SRF<br>( MHz ) min | 额定电流<br>Rated current<br>$I_{DC}$ ( mA ) max |
|-----------------------------|--|-------------------|--------------|---------------------------------|-----------------------------------|----------------------------|--|
| XR0410-R22                  | 0.22                                   | M :<br>$\pm 20\%$ | 45           | 0.10                            | 25.2                              | 300                        | 1400   |
| XR0410-R27                  | 0.27                                   |                   | 45           | 0.11                            |                                   | 270                        | 1320   |
| XR0410-R33                  | 0.33                                   |                   | 45           | 0.12                            |                                   | 250                        | 1280   |
| XR0410-R39                  | 0.39                                   |                   | 45           | 0.13                            |                                   | 230                        | 1200   |
| XR0410-R47                  | 0.47                                   |                   | 45           | 0.14                            |                                   | 220                        | 1150   |
| XR0410-R56                  | 0.56                                   |                   | 45           | 0.15                            |                                   | 200                        | 1122   |
| XR0410-R68                  | 0.68                                   |                   | 45           | 0.16                            |                                   | 190                        | 1030   |
| XR0410-R82                  | 0.82                                   |                   | 45           | 0.17                            |                                   | 172                        | 980  |
| XR0410-1R0                  | 1.0                                    |                   | 45           | 0.19                            |                                   | 157                        | 920  |
| XR0410-1R2                  | 1.2                                    |                   | 50           | 0.21                            |                                   | 144                        | 880  |
| XR0410-1R5                  | 1.5                                    |                   | 50           | 0.23                            | 131                               | 830                        |  |
| XR0410-1R8                  | 1.8                                    |                   | 55           | 0.25                            | 121                               | 790                        |  |
| XR0410-2R2                  | 2.2                                    |                   | 55           | 0.28                            | 110                               | 750                        |  |
| XR0410-2R7                  | 2.7                                    |                   | 60           | 0.30                            | 100                               | 720                        |  |
| XR0410-3R3                  | 3.3                                    |                   | 65           | 0.34                            | 94                                | 670                        |  |
| XR0410-3R9                  | 3.9                                    |                   | 65           | 0.37                            | 65                                | 640                        |  |
| XR0410-4R7                  | 4.7                                    |                   | 70           | 0.39                            | 56                                | 620                        |  |
| XR0410-5R6                  | 5.6                                    |                   | 70           | 0.43                            | 48                                | 590                        |  |
| XR0410-6R8                  | 6.8                                    |                   | 75           | 0.48                            | 37                                | 550                        |  |
| XR0410-8R2                  | 8.2                                    |                   | 80           | 0.52                            | 25                                | 530                        |  |
| XR0410-100                  | 10                                     | 65                | 0.58         | 21                              | 500                               |                            |  |
| XR0410-120                  | 12                                     | 50                | 0.63         | 19                              | 480                               |                            |  |
| XR0410-150                  | 15                                     | 50                | 0.72         | 17                              | 460                               |                            |  |
| XR0410-180                  | 18                                     | 50                | 0.77         | 13                              | 430                               |                            |  |
| XR0410-220                  | 22                                     | 50                | 0.84         | 9.6                             | 410                               |                            |  |
| XR0410-270                  | 27                                     | 55                | 0.94         | 7.2                             | 390                               |                            |  |
| XR0410-330                  | 33                                     | 55                | 1.03         | 6.3                             | 370                               |                            |  |
| XR0410-390                  | 39                                     | 50                | 1.12         | 6.3                             | 350                               |                            |  |
| XR0410-470                  | 47                                     | 45                | 1.22         | 6.3                             | 340                               |                            |  |
| XR0410-560                  | 56                                     | 40                | 1.34         | 6.2                             | 320                               |                            |  |
| XR0410-680                  | 68                                     | 40                | 1.47         | 5.7                             | 305                               |                            |  |
| XR0410-820                  | 82                                     | 35                | 1.62         | 5.3                             | 290                               |                            |  |
| XR0410-101                  | 100                                    | 30                | 1.80         | 4.8                             | 275                               |                            |  |
| XR0410-121                  | 120                                    | 55                | 3.70         | 3.8                             | 185                               |                            |  |
| XR0410-151                  | 150                                    | 45                | 4.20         | 3.5                             | 175                               |                            |  |
| XR0410-181                  | 180                                    | 50                | 4.60         | 3.3                             | 165                               |                            |  |
| XR0410-221                  | 220                                    | 55                | 5.10         | 3.0                             | 155                               |                            |  |
| XR0410-271                  | 270                                    | 65                | 5.80         | 2.8                             | 145                               |                            |  |
| XR0410-331                  | 330                                    | 65                | 6.40         | 2.6                             | 137                               |                            |  |
| XR0410-391                  | 390                                    | 65                | 7.00         | 2.4                             | 133                               |                            |  |
| XR0410-471                  | 470                                    | 60                | 7.70         | 2.25                            | 126                               |                            |  |
| XR0410-561                  | 560                                    | 60                | 8.50         | 2.10                            | 120                               |                            |  |
| XR0410-681                  | 680                                    | 55                | 9.40         | 1.95                            | 113                               |                            |  |
| XR0410-821                  | 820                                    | 55                | 10.50        | 1.85                            | 105                               |                            |  |
| XR0410-102                  | 1000                                   | 50                | 14.00        | 1.40                            | 100                               |                            |  |
| XR0410-152                  | 1500                                   | 30                | 25.00        | 0.252                           | 1.10                              | 85                         |  |
| XR0410-222                  | 2200                                   | 30                | 35.00        | 0.252                           | 0.80                              | 75                         |  |
| 测试仪器<br>Test equipment      | HP4285A (HP4286A ,HP4287A)             |                   |              | HP4338B                         |                                   | HM9461                     | HP42841A                                     |
| 环境温度<br>Ambient temperature | 18 ~ 25°C                              |                   |              |                                 |                                   |                            |  |
| 环境湿度<br>Ambient humidity    | 45%~75%                                |                   |              |                                 |                                   |                            |  |

# 特殊要求的产品可以根据客户要求生产

The products can be customized according to customer requiremen

XR0510 型电感器电性能参数及测试条件  
 XR0510 TYPE INDUCTORS ELECTRICAL CHARACTERISTICS & TEST CONDITIONS

| XR0510<br>类型 Type           | 电感量<br>Inductance<br>( $\mu\text{H}$ ) | 误差<br>Tolerance  | Q<br>( min )     | 直流电阻<br>RDC<br>( $\Omega$ ) max | 测试频率<br>Test frequency<br>( MHz ) | 自谐频率<br>SRF<br>( MHz ) min | 额定电流<br>Rated current<br>$I_{DC}$ ( mA ) max |     |
|-----------------------------|--|------------------|------------------|---------------------------------|-----------------------------------|----------------------------|--|-----|
| XR0510-2R2                  | 2.2                                    | M:<br>$\pm 20\%$ | 10               | 0.26                            | 7.96                              | 50                         | 2100   |     |
| XR0510-3R3                  | 3.3                                    |                  | 10               | 0.3                             |                                   | 50                         | 1800   |     |
| XR0510-3R9                  | 3.9                                    |                  | 10               | 0.35                            |                                   | 50                         | 1500   |     |
| XR0510-4R7                  | 4.7                                    |                  | 20               | 0.43                            |                                   | 50                         | 900  |     |
| XR0510-6R8                  | 6.8                                    |                  | 15               | 0.45                            |                                   | 45                         | 850  |     |
| XR0510-100                  | 10                                     |                  | 15               | 0.45                            |                                   | 30                         | 750  |     |
| XR0510-120                  | 12                                     |                  | 30               | 0.6                             |                                   | 30                         | 700  |     |
| XR0510-150                  | 15                                     |                  | 30               | 0.65                            |                                   | 30                         | 650  |     |
| XR0510-180                  | 18                                     |                  | 30               | 0.65                            |                                   | 30                         | 600  |     |
| XR0510-220                  | 22                                     |                  | K:<br>$\pm 10\%$ | 30                              | 0.65                              | 2.52                       | 8  | 550 |
| XR0510-270                  | 27                                     |                  |                  | 30                              | 0.65                              |                            | 7  | 500 |
| XR0510-330                  | 33                                     |                  |                  | 30                              | 0.65                              |                            | 6  | 470 |
| XR0510-390                  | 39                                     |                  |                  | 30                              | 0.65                              |                            | 6  | 460 |
| XR0510-470                  | 47                                     |                  |                  | 30                              | 0.8                               |                            | 5  | 430 |
| XR0510-560                  | 56                                     |                  |                  | 30                              | 0.8                               |                            | 5  | 430 |
| XR0510-680                  | 68                                     |                  |                  | 30                              | 0.8                               |                            | 4.5  | 430 |
| XR0510-820                  | 82                                     |                  |                  | 30                              | 0.82                              |                            | 3.8  | 430 |
| XR0510-101                  | 100                                    |                  |                  | 30                              | 0.9                               |                            | 3.5  | 400 |
| XR0510-121                  | 120                                    | 30               |                  | 0.92                            | 3.3                               | 390                        |  |     |
| XR0510-151                  | 150                                    | 30               |                  | 0.92                            | 3.2                               | 390                        |  |     |
| XR0510-181                  | 180                                    | 30               |                  | 0.94                            | 2.8                               | 390                        |  |     |
| XR0510-221                  | 220                                    | 30               |                  | 0.94                            | 2.6                               | 380                        |  |     |
| XR0510-271                  | 270                                    | 30               |                  | 1                               | 2.4                               | 380                        |  |     |
| XR0510-331                  | 330                                    | 30               |                  | 1.11                            | 2.2                               | 380                        |  |     |
| XR0510-391                  | 390                                    | 30               |                  | 1.12                            | 2                                 | 350                        |  |     |
| XR0510-471                  | 470                                    | J:<br>$\pm 5\%$  |                  | 45                              | 1.22                              | 0.796                      | 1.9  | 340 |
| XR0510-561                  | 560                                    |                  |                  | 40                              | 1.34                              |                            | 1.8  | 320 |
| XR0510-681                  | 680                                    |                  | 40               | 1.47                            | 1.5                               |                            | 305  |     |
| XR0510-821                  | 820                                    |                  | 35               | 1.62                            | 1.3                               |                            | 290  |     |
| XR0510-102                  | 1000                                   |                  | 45               | 14                              | 1                                 |                            | 100  |     |
| XR0510-122                  | 1200                                   |                  | 40               | 16.9                            | 0.95                              |                            | 95   |     |
| XR0510-152                  | 1500                                   |                  | 40               | 21.6                            | 0.9                               |                            | 90   |     |
| XR0510-182                  | 1800                                   |                  | 40               | 24                              | 0.85                              |                            | 85   |     |
| XR0510-222                  | 2200                                   |                  | 40               | 34.7                            | 0.8                               |                            | 80   |     |
| XR0510-272                  | 2700                                   |                  | 40               | 40                              | 0.75                              | 75                         |  |     |
| XR0510-332                  | 3300                                   |                  | 40               | 59.5                            | 0.7                               | 62                         |  |     |
| XR0510-392                  | 3900                                   |                  | 40               | 66                              | 0.65                              | 59                         |  |     |
| XR0510-472                  | 4700                                   |                  | 40               | 74                              | 0.6                               | 55                         |  |     |
| XR0510-562                  | 5600                                   |                  | 30               | 80                              | 0.5                               | 40                         |  |     |
| XR0510-682                  | 6800                                   |                  | 30               | 85                              | 0.45                              | 35                         |  |     |
| XR0510-822                  | 8200                                   |                  | 30               | 95                              | 0.4                               | 30                         |  |     |
| XR0510-103                  | 10000                                  |                  | 50               | 14                              | 0.0796                            | 1.4                        | 100  |     |
| 测试仪器<br>Test equipment      | HP4285A (HP4286A ,HP4287A)             |                  |                  | HP4338B                         |                                   | HM9461                     | HP42841A                                     |     |
| 环境温度<br>Ambient temperature | 18 ~ 25°C                              |                  |                  |                                 |                                   |                            |  |     |
| 环境湿度<br>Ambient humidity    | 45%~75%                                |                  |                  |                                 |                                   |                            |  |     |

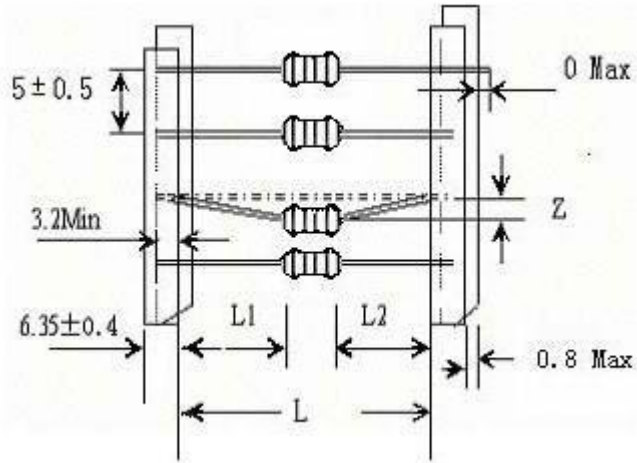
# 特殊要求的产品可以根据客户要求生产

The products can be customized according to customer requirement.

## 6、包装方式 PACKAGING STYLE

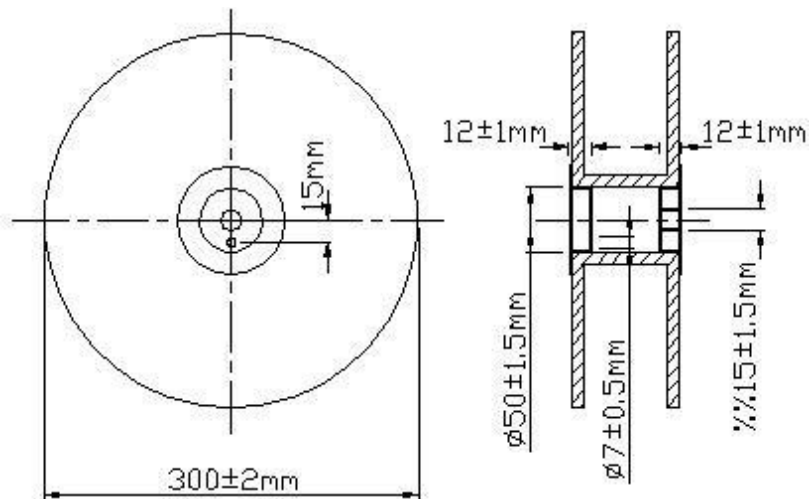
- 编带尺寸 Taping dimensions

单位 Unit : mm



| 编带方式<br>Tape style    | L   | Z       | L1-L2   |
|-----------------------|---|---------|---------|
| 编带内距:26<br>Tape width | $26 \pm 1.0$                                  | 0.8 Max | 1.0 Max |
| 编带内距:52<br>Tape width | $52 \begin{matrix} +2.0 \\ -1.0 \end{matrix}$ | 1.2 Max |         |

- 卷带包装尺寸 Tape & reel packaging dimensions





- 盒带包装尺寸 Ammo packaging dimensions



- 包装盒尺寸 Dimensions of box

单位 Unit : mm

| 编带类型<br>Tape type | 尺寸<br>Dimensions ( ±5mm ) |    |     |
|-------------------|---------------------------|----|-----|
|                   | A                         | B  | C   |
| 52                | 75                        | 82 | 260 |
| 26                | 50                        | 82 | 260 |

- 包装数量 Packaging quantity

| 包装方式<br>Packaging style | 盒带包装<br>Ammo | 卷带包装<br>Tape & reel | 散包装<br>Bulk |
|-------------------------|--------------|---------------------|-------------|
| 包装数量<br>Quantity        | 2000         | 2000                | 1000        |

# 可根据用户需求包装

Packaging according to customer's requirement

## X-ON Electronics

Largest Supplier of Electrical and Electronic Components

*Click to view similar products for [Fixed Inductors](#) category:*

*Click to view products by [MaxLinear](#) manufacturer:*

Other Similar products are found below :

[CR32NP-100KC](#) [CR54NP-470LC](#) [70F224AI](#) [MGDQ4-00004-P](#) [MHQ1005P10NJ](#) [MHQ1005P1N0S](#) [MHQ1005P2N4S](#) [MHQ1005P3N6S](#)  
[MHQ1005P5N1S](#) [MHQ1005P8N2J](#) [PE-53601NL](#) [PE-53602NL](#) [PG0936.113NLT](#) [9220-20](#) [9310-16](#) [PM06-2N7](#) [PM06-39NJ](#) [A01TK](#)  
[1206CS-471XJ](#) [HC2-R47-R](#) [HC8-1R2-R](#) [HCF1305-3R3-R](#) [1206CS-151XG](#) [RCH664NP-140L](#) [RCH664NP-4R7M](#) [RCP1317NP-391L](#)  
[RCR110DNP-331L](#) [DH2280-4R7M](#) [DS1608C-106](#) [B10TJ](#) [B82498B3101J000](#) [ELJ-RE27NJF2](#) [1812CS-153XJ](#) [1812CS-183XJ](#) [1812CS-](#)  
[223XJ](#) [1812LS-104XJ](#) [1812LS-105XJ](#) [1812LS-124XJ](#) [1812LS-154XJ](#) [1812LS-223XJ](#) [1812LS-224XJ](#) [1812LS-563XJ](#) [1812LS-683XJ](#)  
[1812LS-824XJ](#) [NIN-FB101JTR110F](#) [NIN-FB471JTR62F](#) [NIN-FC1R5JTR220F](#) [NIN-HCR15JTRF](#) [NIN-HCR33JTRF](#) [NIN-HDR22JTRF](#)