

## MOLDING POWER INDUCTORS

### 1. Features

- High rated current
- Frequency up to 3 MHz
- 125°C maximum total temperature operation
- Low core loss
- Ultra low buzz noise due to molding construction
- Halogen Free & ROHS compliant

### 2. Applications

- Laptops and PCs
- Switch and servers
- Base stations
- DC/DC converters
- Battery powered devices
- SSD modules



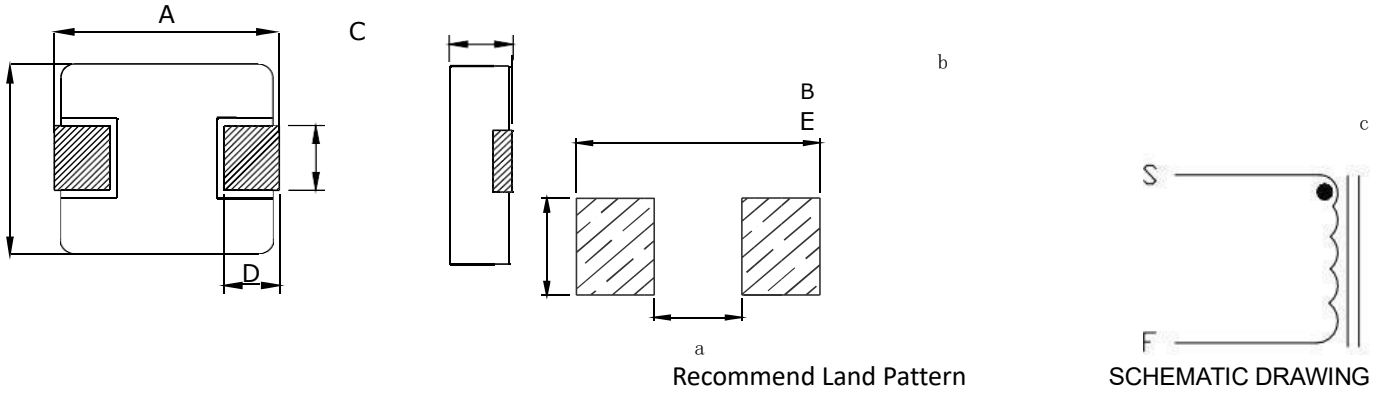
### 3. Product Identification

XR      XXXX    ---    XXX    M  
①          ②                      ③    ④

- ① Series name
- ② Dimensions and shape (0412~1265)
- ③ Inductance Value
- ④ Inductance Tolerance ( M=  $\pm 20\%$  )

1

## 4. Dimensions (unit:mm)



Recommend Land Pattern

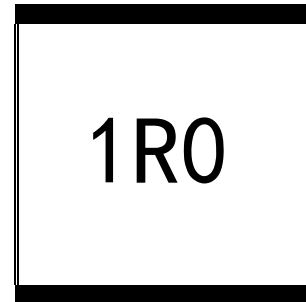
SCHEMATIC DRAWING

series	A	B	C	D	E	a typ	b typ	c typ
XR0520	5.4±0.35	5.2±0.2	1.8±0.2	1.2±0.2	2.2±0.3	2.2	6	2.5

## 5. Marking

The inductor is marked with a 3-digit code

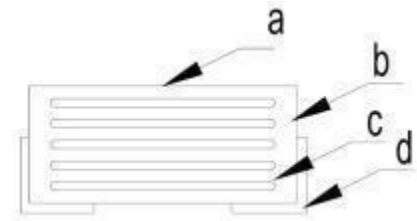
Nominal Inductance	
Example	Nominal Value
1R0	1.0 $\mu$ H
100	10 $\mu$ H
101	100 $\mu$ H



Note : Using Ink for marking

## 6. Structure and Components

Symbol	Components	Material
a	MARKING	Ink(black)
b	CORE	Alloy Sponge Powder
c	WIRE	Polyurethane copper wire
d	Terminal	Copper plated with Sn



## 7. Electrical characteristics

### •XR0520TYPE:

Part No.	Inductance	DC Resistance	Saturation Current	Heating Rating Current
	L0 (μH)	DCR (m )	Isat (A)	Irms (A)
	±20 %, 100 kHz, 1V	MAX.	TYP	TYP
XR0520-R22M	0.22	4.5	19	15
XR0520-R47M	0.47	9	16	10.5
XR0520-R56M	0.56	10	15	9.5
XR0520-1R0M	1.0	17	9.5	8.0
XR0520-1R5M	1.5	30	8.5	5.5
XR0520-2R2M	2.2	34	7	5
XR0520-3R3M	3.3	58	5.5	4.5
XR0520-4R7M	4.7	78	4.5	3.5
XR0520-6R8M	6.8	120	3.5	2.8
XR0520-8R2M	8.2	150	3.3	2.6
XR0520-100M	10	175	3	2.5

### • Notes

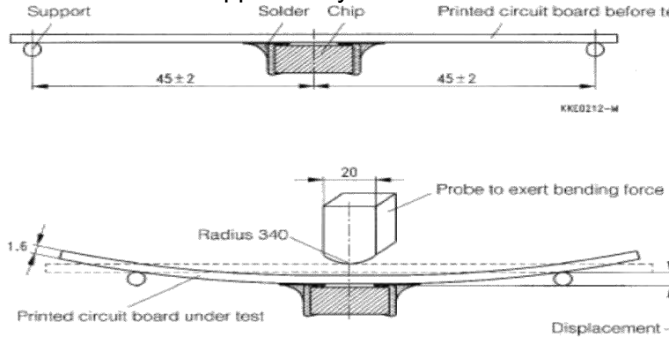
- All test data is referenced to 25 °C ambient
- Operating temperature range - 55 °C to + 125 °C
- Irms (A):DC current (A) that will cause an approximate ΔT of 40 °C(reference ambient temperature is 25°C)
- Isat(A):DC current (A) that will cause L0 to drop approximately 30 %
- The part temperature (ambient + temp rise) should not exceed 125 °C under worst case operating conditions.  
Circuit design, component placement, PWB trace size and thickness, airflow and other cooling provisions all affect the part temperature. Part temperature should be verified in the end application.
- Absolute maximum voltage 30VDC

### 8. Reliability Test

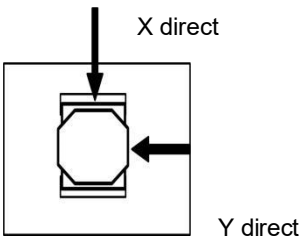
Item	Specification and Requirement	Test Method
Solderability	1. No case deformation or change in appearance  2. New solder coverage More than 90%	1.Preheat: 155°C ±5°C , 60S±2S 2.Tin: lead-free. 3.Temperature:245°C ±5°C , flux 3.0S±0.5S.

<p style="text-align: center;">Mechanical shock</p>	<ol style="list-style-type: none"> <li>No case deformation or change in appearance</li> <li><math>\Delta L/L_0 \leq \pm 10\%</math></li> </ol>	<ol style="list-style-type: none"> <li>Acceleration: 100G</li> <li>Pulse time: 6ms</li> <li>3 times in each positive and negative direction of 3 mutual perpendicular directions</li> </ol>								
<p style="text-align: center;">Mechanical vibration</p>	<ol style="list-style-type: none"> <li>No case deformation or change in appearance</li> <li><math>\Delta L/L_0 \leq \pm 10\%</math></li> </ol>	<ol style="list-style-type: none"> <li>The test samples shall be soldered to the board. Then it shall be submitted to below test conditions. <table border="1" data-bbox="876 640 1473 801" style="width: 100%; border-collapse: collapse;"> <tr> <td style="width: 50%;">Fre. Range</td> <td>10~55Hz</td> </tr> <tr> <td>Total Amplitude</td> <td>1.5mm</td> </tr> <tr> <td>Sweeping Method</td> <td>10Hz to 55Hz to 10Hz</td> </tr> <tr> <td>Time</td> <td>For 2 hours on each X,Y,Z axis.</td> </tr> </table> </li> <li>Recovery: At least 2 hours of recovery under the standard condition after the test, followed by the measurement within <math>24 \pm 2</math> hours.</li> </ol>	Fre. Range	10~55Hz	Total Amplitude	1.5mm	Sweeping Method	10Hz to 55Hz to 10Hz	Time	For 2 hours on each X,Y,Z axis.
Fre. Range	10~55Hz									
Total Amplitude	1.5mm									
Sweeping Method	10Hz to 55Hz to 10Hz									
Time	For 2 hours on each X,Y,Z axis.									
<p style="text-align: center;">Thermal Shock</p>	<p>Inductance change: Within <math>\pm 10\%</math> Without distinct damage in appearance</p>	<ol style="list-style-type: none"> <li>First <math>-55^\circ\text{C}</math> for 30 minutes, last <math>125^\circ\text{C}</math> for 30 minutes as 1 cycle. Go through 1000 cycles.</li> <li>Max transfer time is 2 minutes.</li> <li>Measured at room temperature after placing for <math>24 \pm 2</math> hours</li> </ol>								
<p style="text-align: center;">Humidity Resistance</p>	<p>Inductance change: Within <math>\pm 10\%</math> Without distinct damage in appearance</p>	<ol style="list-style-type: none"> <li>Reflow 2 times,</li> <li><math>85^\circ\text{C}</math>, 85%RH, 1000 hours</li> <li>Measured at room temperature after placing for <math>24 \pm 2</math> hours</li> </ol>								
<p style="text-align: center;">Low temperature storage</p>	<p>Inductance change: Within <math>\pm 10\%</math> Without distinct damage in appearance</p>	<ol style="list-style-type: none"> <li>Temperature: <math>-55 \pm 2^\circ\text{C}</math></li> <li>Time: 1000 hours</li> <li>Measured at room temperature after placing for <math>24 \pm 2</math> hours</li> </ol>								

# 东莞市祥如电子有限公司

<p style="text-align: center;">High temperature storage</p>	<p>Inductance change: Within <math>\pm 10\%</math> Without distinct damage in appearance</p>	<ol style="list-style-type: none"> <li>1. Temperature: <math>+125 \pm 2^\circ\text{C}</math></li> <li>2. Time: 1000 hours</li> <li>3. Measured at room temperature after placing for <math>24 \pm 2</math> hours</li> </ol>
<p style="text-align: center;">Board Flex</p>	<p>Inductance change: Within <math>\pm 10\%</math> Without distinct damage in appearance</p>	<ol style="list-style-type: none"> <li>1、 Run through IR reflow for 2 times;</li> <li>2、 Place the 100mm X 40mm board into a fixture similar to the one shown in below Figure with the component facing down</li> <li>3、 The apparatus shall consist of mechanical means to apply a force which will bend the board (D) x = 2 mm minimum.</li> <li>4、 The duration of the applied forces shall be <math>60 \pm 5</math> sec. The force is to be applied only once to the board.</li> </ol> 

# 东莞市祥如电子有限公司

<p>Terminal Strength</p>	<p>No removal or split of the termination or other defects shall occur.</p>	<ol style="list-style-type: none"> <li>The test samples shall be soldered to the board</li> <li>Push the product vertically from the side of the sample using the thrust tester.</li> <li>Automotive electronics: 17.7N, 60S±1s, X, Ydirect.</li> </ol> 
--------------------------	---	---

## Recommended Soldering Technologies

### (1) Re-flowing Profile

Preheat condition: 150 ~200°C/60~180sec.

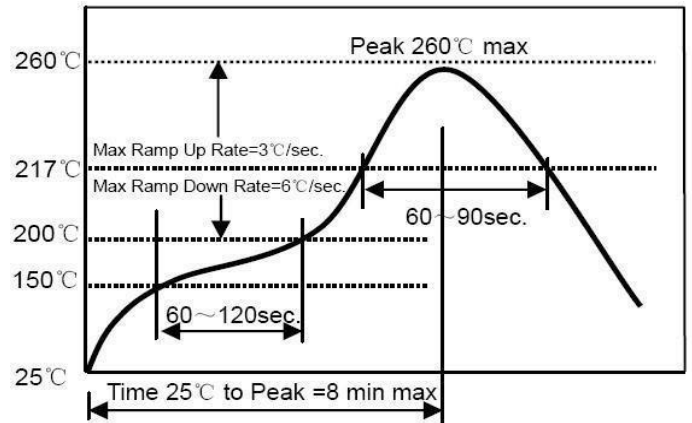
Allowed time above 217°C: 80~120sec.

Max temp: 260°C

Max time at max temp: 10 sec.

Solder paste: Sn/3.0Ag/0.5Cu

Allowed Reflow time: 2x max



## (2) Iron Soldering Profile

Iron soldering power: Max. 30W Pre-heating:

150°C/60sec.

Soldering time: 3sec.Max.

Solder paste: Sn/3.0Ag/0.5Cu

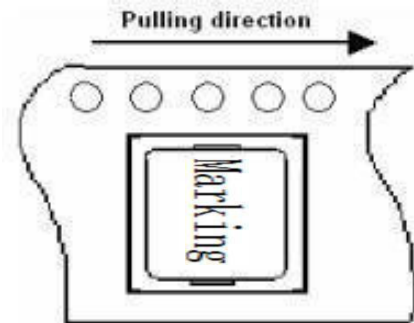
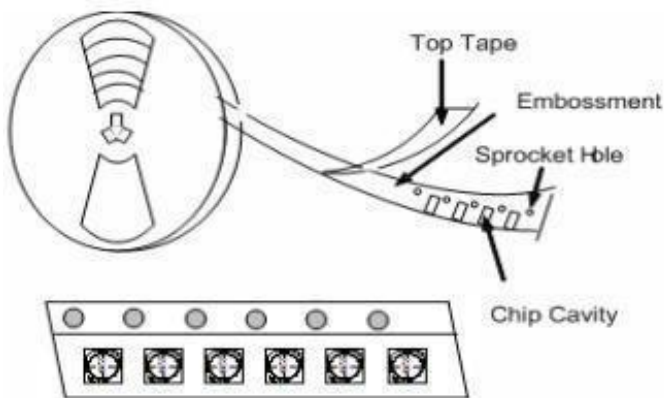
Max.1 times for iron soldering

## 9. Packaging, Storage and Transportation

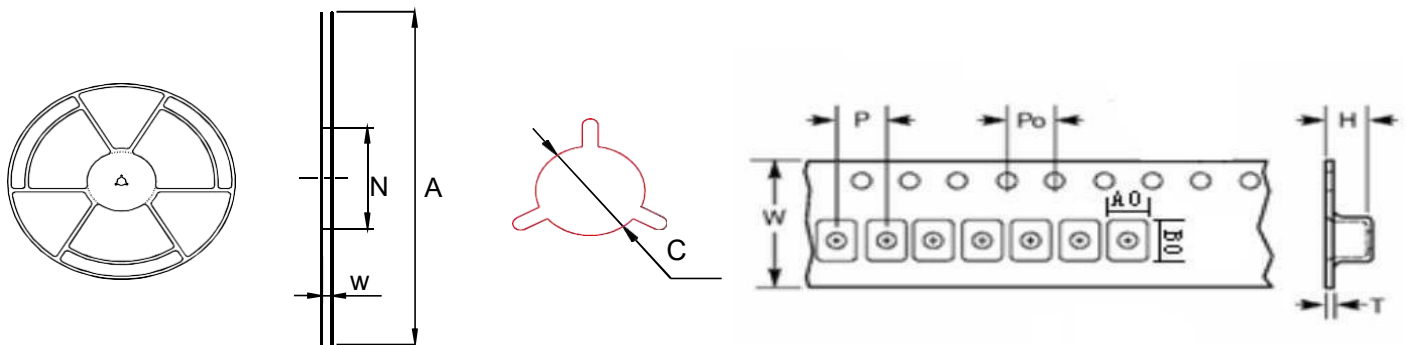
- Tape Carrier Packaging:

Type	Standard Quantity (pcs/reel)
XR0520	2000/2500

- Taping Drawings (UNIT:mm)



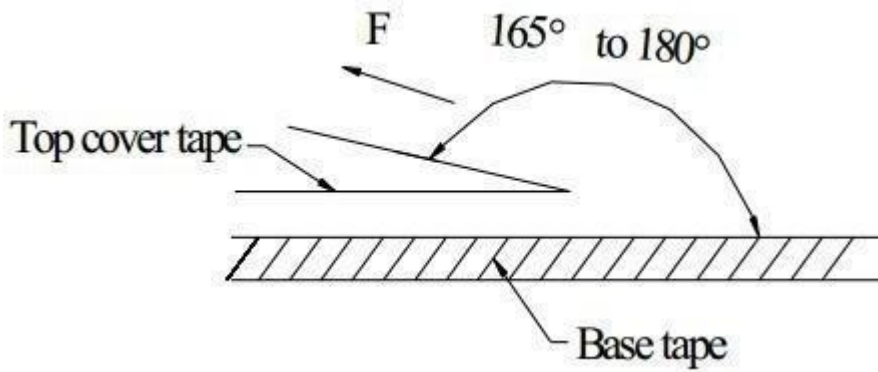
- Reel and Taping Dimensions (UNIT:mm)



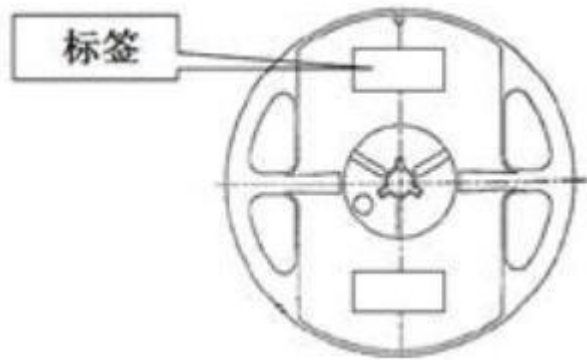
# 东莞市祥如电子有限公司

Type	Reel Dimensions (mm)				Tape Dimensions (mm)						
	A	N	W	C	W	P	P0	A0	B0	H	T
XR0520	330 +2/-0	100 +2/-0	12.4 +2/-0	13.2 ±0.2	12±0.3	8±0.1	4±0.1	5.5±0.1	5.85±0.1	2.2±0.1	0.35±0.05

- Peel force of top cover tape  
The peel speed shall be about 300mm/minute  
The peel force of top cover tape shall be between 0.1 to 1.3 N



- Label



making

Label on the reel

- Customer's part Number



# 东莞市祥如电子有限公司

---

- Lot Number
- Quantity
- date code

## Shipping Label

- Customer's part Number
- Manufacturer's part Number
- Quantity
- date code

## X-ON Electronics

Largest Supplier of Electrical and Electronic Components

*Click to view similar products for [Fixed Inductors](#) category:*

*Click to view products by [MaxLinear](#) manufacturer:*

Other Similar products are found below :

[CR32NP-100KC](#) [CR54NP-470LC](#) [70F224AI](#) [MGDQ4-00004-P](#) [MHQ1005P10NJ](#) [MHQ1005P1N0S](#) [MHQ1005P2N4S](#) [MHQ1005P3N6S](#)  
[MHQ1005P5N1S](#) [MHQ1005P8N2J](#) [PE-53601NL](#) [PE-53602NL](#) [PG0936.113NLT](#) [9220-20](#) [9310-16](#) [PM06-2N7](#) [PM06-39NJ](#) [A01TK](#)  
[1206CS-471XJ](#) [HC2-R47-R](#) [HC8-1R2-R](#) [HCF1305-3R3-R](#) [1206CS-151XG](#) [RCH664NP-140L](#) [RCH664NP-4R7M](#) [RCP1317NP-391L](#)  
[RCR110DNP-331L](#) [DH2280-4R7M](#) [DS1608C-106](#) [B10TJ](#) [B82498B3101J000](#) [ELJ-RE27NJF2](#) [1812CS-153XJ](#) [1812CS-183XJ](#) [1812CS-](#)  
[223XJ](#) [1812LS-104XJ](#) [1812LS-105XJ](#) [1812LS-124XJ](#) [1812LS-154XJ](#) [1812LS-223XJ](#) [1812LS-224XJ](#) [1812LS-563XJ](#) [1812LS-683XJ](#)  
[1812LS-824XJ](#) [NIN-FB101JTR110F](#) [NIN-FB471JTR62F](#) [NIN-FC1R5JTR220F](#) [NIN-HCR15JTRF](#) [NIN-HCR33JTRF](#) [NIN-HDR22JTRF](#)