

## GENERAL DESCRIPTION

The XR17V354<sup>1</sup> is a single chip 4-channel PCI Express (PCIe) UART (Universal Asynchronous Receiver and Transmitter), optimized for higher performance and lower power. The XR17V354 serves as a single lane PCIe bridge to 4 independent enhanced 16550 compatible UARTs. The XR17V354 is compliant to PCIe 2.0 Gen 1 (2.5 GT/s).

In addition to the UART channels, the XR17V354 has 16 multi-purpose I/Os (MPIOs), a 16-bit general purpose counter/timer and a global interrupt status register to optimize interrupt servicing.

Each UART of the XR17V354 has many enhanced features such as the 256-bytes TX and RX FIFOs, programmable Fractional Baud Rate Generator, Automatic Hardware or Software Flow Control, Auto RS-485 Half-Duplex Direction Control, programmable TX and RX FIFO Trigger Levels, TX and RX FIFO Level Counters, infrared mode, and data rates up to 31.25 Mbps. The XR17V354 is available in a 176-pin FPBGA package (13 x 13 mm).

**NOTE 1:** Covered by U.S. Patents #5,649,122, #6,754,839, #6,865,626 and #6,947,999

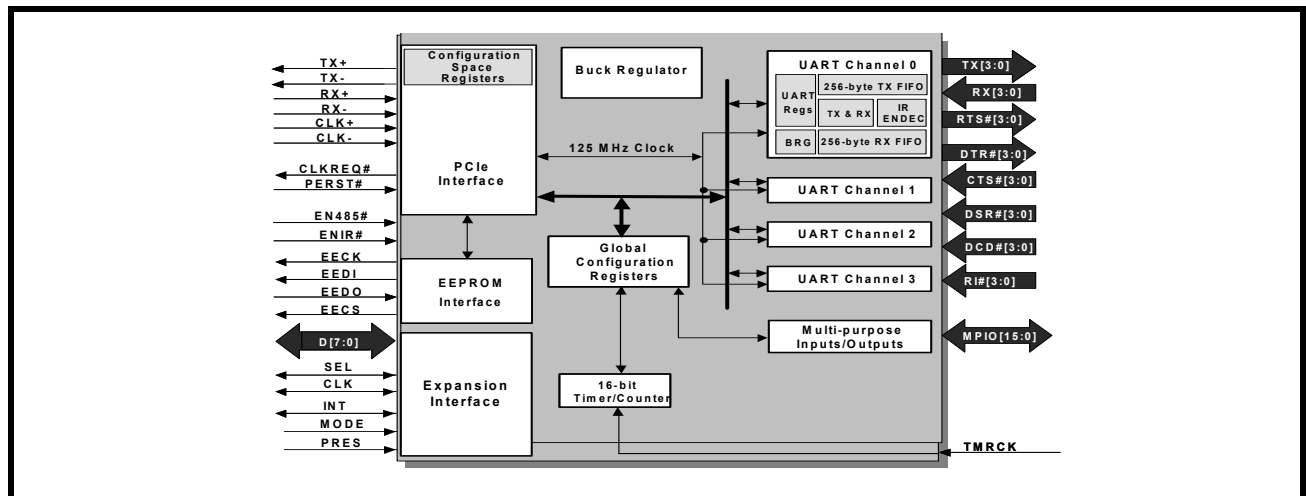
## APPLICATIONS

- Next generation Point-of-Sale Systems
- Remote Access Servers
- Storage Network Management
- Factory Automation and Process Control
- Multi-port RS-232/RS-422/RS-485 Cards

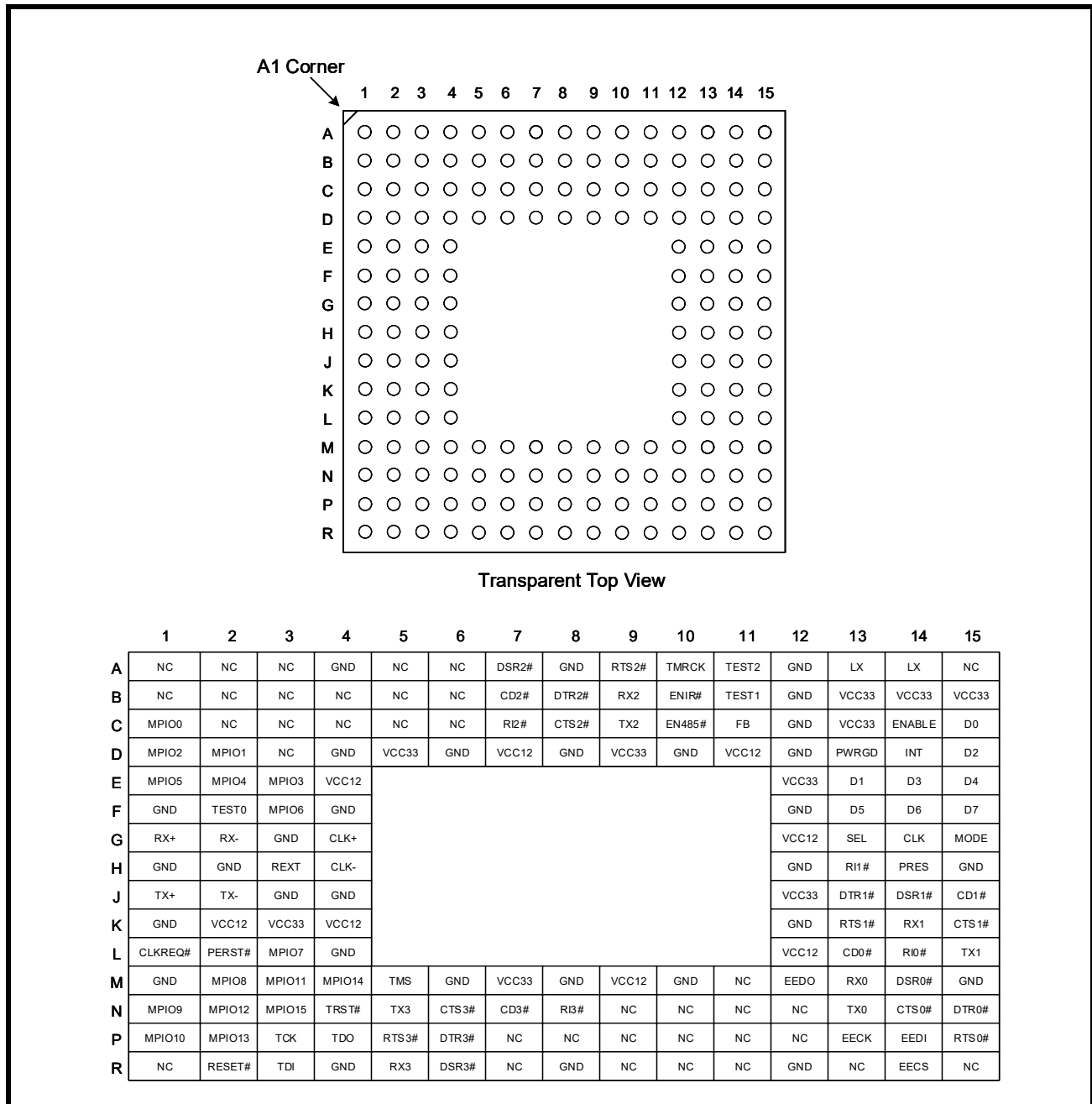
## FEATURES

- Single 3.3V power supply
- Internal buck regulator for 1.2V core
- PCIe 2.0 Gen 1 compliant
- x1 Link, dual simplex, 2.5 Gbps in each direction
- Expansion bus interface
- EEPROM interface for configuration
- Data read/write 32-bit operation
- Global interrupt status register for all four UARTs
- Up to 31.25 Mbps serial data rate
- 16 multi-purpose inputs/outputs (MPIOs)
- 16-bit general purpose timer/counter
- Sleep mode with wake-up Indicator
- Four independent UART channels controlled with
  - 16550 compatible register Set
  - 256-byte TX and RX FIFOs
  - Programmable TX and RX Trigger Levels
  - TX/RX FIFO Level Counters
  - Fractional baud rate generator
  - Automatic RTS/CTS or DTR/DSR hardware flow control with programmable hysteresis
  - Automatic Xon/Xoff software flow control
  - RS-485 half duplex direction control output with programmable turn-around delay
  - Multi-drop with Auto Address Detection
  - Infrared (IrDA 1.1) data encoder/decoder
- Software compatible to XR17C15x, XR17D15x, XR17V25x PCI UARTs

**FIGURE 1. BLOCK DIAGRAM OF THE XR17V354**



**FIGURE 2. 176-FPBGA PINOUT**



**ORDERING INFORMATION<sup>(1)</sup>**

| PART NUMBER          | OPERATING TEMPERATURE RANGE                           | LEAD-FREE          | PACKAGE   | PACKAGING METHOD |
|----------------------|---|--------------------|-----------|------------------|
| XR17V354IB176-F      | -40°C to +85°C  | Yes <sup>(2)</sup> | 176-FPBGA | Tray             |
| XR17V354/SP339-0A-EB | XR17V354 4-Channel Evaluation Board                   |                    |           |                  |
| XR17V354/SP339-E4-EB | XR17V354 8-Channel Evaluation Board (Master / Slave)  |                    |           |                  |
| XR17V354/SP339-E8-EB | XR17V354 12-Channel Evaluation Board (Master / Slave) |                    |           |                  |

**NOTES:**

1. Refer to [www.exar.com/XR17V354](http://www.exar.com/XR17V354) for most up-to-date Ordering Information.
2. Visit [www.exar.com](http://www.exar.com) for additional information on Environmental Rating.

**PIN DESCRIPTIONS**

| NAME                                 | PIN # | TYPE | DESCRIPTION  |
|--------------------------------------|-------|------|--|
| <b>PCIe SIGNALS</b>                  |       |      |  |
| CLK+                                 | G4    | I    | PCIe reference clock input. (Nominal single-ended swing from 0 to 700 mV.)   |
| CLK-                                 | H4    | I    |  |
| TX+                                  | J1    | O    | PCIe differential TX outputs. Must be AC coupled using 0.1 uF non-polarized capacitor (0603 or smaller) near the transmitting source.  |
| TX-                                  | J2    | O    |  |
| RX+                                  | G1    | I    | PCIe differential RX inputs. Must be AC coupled using 0.1 uF non-polarized capacitor (0603 or smaller) near the transmitting source.   |
| RX-                                  | G2    | I    |  |
| CLKREQ#                              | L1    | O    | PCIe edge connector clock request. Optional feature, not supported.  |
| PERST#                               | L2    | I    | PCIe edge connector reset  |
| REXT                                 | H3    |      | Connect a 191 ohm 1% resistor to GND. This is used for PCIe PHY calibration.   |
| <b>MODEM OR SERIAL I/O INTERFACE</b> |       |      |  |
| TX0                                  | N13   | O    | UART channel 0 Transmit Data or infrared transmit data.  |
| RX0                                  | M13   | I    | UART channel 0 Receive Data or infrared receive data. Normal RXD input idles at HIGH condition. The infrared pulses can be inverted internally prior to decoding by setting FCTR bit [4]. If unused, a pull-up or pull-down resistor is recommended on this pin. |
| RTS0#                                | P15   | O    | UART channel 0 Request to Send or general purpose output (active LOW).   |
| CTS0#                                | N14   | I    | UART channel 0 Clear to Send or general purpose input (active LOW). If unused, a pull-up or pull-down resistor is recommended on this pin.   |
| DTR0#                                | N15   | O    | UART channel 0 Data Terminal Ready or general purpose output (active LOW).   |
| DSR0#                                | M14   | I    | UART channel 0 Data Set Ready or general purpose input (active LOW). If unused, a pull-up or pull-down resistor is recommended on this pin.  |
| CD0#                                 | L13   | I    | UART channel 0 Carrier Detect or general purpose input (active LOW). If unused, a pull-up or pull-down resistor is recommended on this pin.  |
| RI0#                                 | L14   | I    | UART channel 0 Ring Indicator or general purpose input (active LOW). If unused, a pull-up or pull-down resistor is recommended on this pin.  |
| TX1                                  | L15   | O    | UART channel 1 Transmit Data or infrared transmit data.  |
| RX1                                  | K14   | I    | UART channel 1 Receive Data or infrared receive data. Normal RXD input idles at HIGH condition. The infrared pulses can be inverted prior to decoding by setting FCTR bit [4]. If unused, a pull-up or pull-down resistor is recommended on this pin.            |
| RTS1#                                | K13   | O    | UART channel 1 Request to Send or general purpose output (active LOW).   |
| CTS1#                                | K15   | I    | UART channel 1 Clear to Send or general purpose input (active LOW). If unused, a pull-up or pull-down resistor is recommended on this pin.   |
| DTR1#                                | J13   | O    | UART channel 1 Data Terminal Ready or general purpose output (active LOW).   |

## PIN DESCRIPTIONS

| NAME  | PIN # | TYPE | DESCRIPTION   |
|-------|-------|------|---|
| DSR1# | J14   | I    | UART channel 1 Data Set Ready or general purpose input (active LOW). If unused, a pull-up or pull-down resistor is recommended on this pin.   |
| CD1#  | J15   | I    | UART channel 1 Carrier Detect or general purpose input (active LOW). If unused, a pull-up or pull-down resistor is recommended on this pin.   |
| RI1#  | H13   | I    | UART channel 1 Ring Indicator or general purpose input (active LOW). If unused, a pull-up or pull-down resistor is recommended on this pin.   |
| TX2   | C9    | O    | UART channel 2 Transmit Data or infrared transmit data.   |
| RX2   | B9    | I    | UART channel 2 Receive Data or infrared receive data. Normal RXD input idles at HIGH condition. The infrared pulses can be inverted prior to decoding by setting FCTR bit [4]. If unused, a pull-up or pull-down resistor is recommended on this pin. |
| RTS2# | A9    | O    | UART channel 2 Request to Send or general purpose output (active LOW).  |
| CTS2# | C8    | I    | UART channel 2 Clear to Send or general purpose input (active LOW). If unused, a pull-up or pull-down resistor is recommended on this pin.  |
| DTR2# | B8    | O    | UART channel 2 Data Terminal Ready or general purpose output (active LOW).  |
| DSR2# | A7    | I    | UART channel 2 Data Set Ready or general purpose input (active LOW). If unused, a pull-up or pull-down resistor is recommended on this pin.   |
| CD2#  | B7    | I    | UART channel 2 Carrier Detect or general purpose input (active LOW). If unused, a pull-up or pull-down resistor is recommended on this pin.   |
| RI2#  | C7    | I    | UART channel 2 Ring Indicator or general purpose input (active LOW). If unused, a pull-up or pull-down resistor is recommended on this pin.   |
| TX3   | N5    | O    | UART channel 3 Transmit Data or infrared transmit data.   |
| RX3   | R5    | I    | UART channel 3 Receive Data or infrared receive data. Normal RXD input idles at HIGH condition. The infrared pulses can be inverted prior to decoding by setting FCTR bit [4]. If unused, a pull-up or pull-down resistor is recommended on this pin. |
| RTS3# | P5    | O    | UART channel 3 Request to Send or general purpose output (active LOW).  |
| CTS3# | N6    | I    | UART channel 3 Clear to Send or general purpose input (active LOW). If unused, a pull-up or pull-down resistor is recommended on this pin.  |
| DTR3# | P6    | O    | UART channel 3 Data Terminal Ready or general purpose output (active LOW).  |
| DSR3# | R6    | I    | UART channel 3 Data Set Ready or general purpose input (active LOW). If unused, a pull-up or pull-down resistor is recommended on this pin.   |
| CD3#  | N7    | I    | UART channel 3 Carrier Detect or general purpose input (active LOW). If unused, a pull-up or pull-down resistor is recommended on this pin.   |
| RI3#  | N8    | I    | UART channel 3 Ring Indicator or general purpose input (active LOW). If unused, a pull-up or pull-down resistor is recommended on this pin.   |

**PIN DESCRIPTIONS**

| NAME                       | PIN # | TYPE | DESCRIPTION  |
|----------------------------|-------|------|--|
| <b>EXPANSION INTERFACE</b> |       |      |  |
| MODE                       | G15   | I    | Expansion Interface Mode Select. Connect this pin to VCC to enable master mode. Connect this pin to GND to enable slave mode.  |
| CLK                        | G14   | I/O  | Expansion Interface Clock. In master mode, this pin is the clock output to the slave device. In slave mode, this pin is the clock input from the master device. The expansion interface clock is 62.5 MHz. The UARTs on the slave device will need to use different baud rate generator divisors than the master device. The trace capacitance between the master and slave device must be less than 25pF.                             |
| D7                         | F15   | I/O  | Expansion Interface Data 7 (MSB) with internal pull-down resistor. If a slave device is present, connect between master and slave with trace capacitance of less than 25 pF. Leave unconnected if no slave device is present.  |
| D6                         | F14   | I/O  | Expansion Interface Data 6 with internal pull-down resistor. If a slave device is present, connect between master and slave with trace capacitance of less than 25 pF. Leave unconnected if no slave device is present.  |
| D5                         | F13   | I/O  | Expansion Interface Data 5 with internal pull-down resistor. If a slave device is present, connect between master and slave with trace capacitance of less than 25 pF. Leave unconnected if no slave device is present.  |
| D4                         | E15   | I/O  | Expansion Interface Data 4 with internal pull-down resistor. If a slave device is present, connect between master and slave with trace capacitance of less than 25 pF. Leave unconnected if no slave device is present.  |
| D3                         | E14   | I/O  | Expansion Interface Data 3 with internal pull-down resistor. If a slave device is present, connect between master and slave with trace capacitance of less than 25 pF. Leave unconnected if no slave device is present.  |
| D2                         | D15   | I/O  | Expansion Interface Data 2 with internal pull-down resistor. If a slave device is present, connect between master and slave with trace capacitance of less than 25 pF. Leave unconnected if no slave device is present.  |
| D1                         | E13   | I/O  | Expansion Interface Data 1 with internal pull-down resistor. If a slave device is present, connect between master and slave with trace capacitance of less than 25 pF. Leave unconnected if no slave device is present.  |
| D0                         | C15   | I/O  | Expansion Interface Data 0 (LSB) with internal pull-down resistor. If a slave device is present, connect between master and slave with trace capacitance of less than 25 pF. Leave unconnected if no slave device is present.  |
| SEL                        | G13   | I/O  | Expansion Interface Read/Write Select. This is the read/write select input in the slave mode. This is the read/write select output in the master mode. This pin has an internal pull-down resistor. If a slave device is present, connect between master and slave with trace capacitance of less than 25 pF. Leave unconnected if no slave device is present.   |
| INT                        | D14   | I/O  | Expansion Interface Interrupt. This is the expansion interface interrupt output in the slave mode. This is the expansion interface interrupt input in the master mode. This pin has an internal pull-down resistor and can be left unconnected if there is no slave device. If a slave device is present, connect between master and slave with trace capacitance of less than 25 pF. Leave unconnected if no slave device is present. |
| PRES                       | H14   | I    | Slave Present, has internal pull-down resistor. In master mode, pull this pin to VCC to check if a slave is device present. Connect this pin to GND or leave unconnected if there is no slave device or to disable checking for a slave device.  |

## PIN DESCRIPTIONS

| NAME                | PIN # | TYPE | DESCRIPTION   |
|---------------------|-------|------|---|
| <b>MPIO SIGNALS</b> |       |      |   |
| MPIO0               | C1    | I/O  | Multi-purpose input/output 0. This pin defaults to an input with interrupts disabled and is controlled using the MPIOSEL, MPIOLVL, MPIOINV, MPIO3T, MPIOOD and MPIOINT configuration registers. If unused, a pull-up or pull-down resistor is recommended on this pin.  |
| MPIO1               | D2    | I/O  | Multi-purpose input/output 1. This pin defaults to an input with interrupts disabled and is controlled using the MPIOSEL, MPIOLVL, MPIOINV, MPIO3T, MPIOOD and MPIOINT configuration registers. If unused, a pull-up or pull-down resistor is recommended on this pin.  |
| MPIO2               | D1    | I/O  | Multi-purpose input/output 2. This pin defaults to an input with interrupts disabled and is controlled using the MPIOSEL, MPIOLVL, MPIOINV, MPIO3T, MPIOOD and MPIOINT configuration registers. If unused, a pull-up or pull-down resistor is recommended on this pin.  |
| MPIO3               | E3    | I/O  | Multi-purpose input/output 3. This pin defaults to an input with interrupts disabled and is controlled using the MPIOSEL, MPIOLVL, MPIOINV, MPIO3T, MPIOOD and MPIOINT configuration registers. If unused, a pull-up or pull-down resistor is recommended on this pin.  |
| MPIO4               | E2    | I/O  | Multi-purpose input/output 4. This pin defaults to an input with interrupts disabled and is controlled using the MPIOSEL, MPIOLVL, MPIOINV, MPIO3T, MPIOOD and MPIOINT configuration registers. If unused, a pull-up or pull-down resistor is recommended on this pin.  |
| MPIO5               | E1    | I/O  | Multi-purpose input/output 5. This pin defaults to an input with interrupts disabled and is controlled using the MPIOSEL, MPIOLVL, MPIOINV, MPIO3T, MPIOOD and MPIOINT configuration registers. If unused, a pull-up or pull-down resistor is recommended on this pin.  |
| MPIO6               | F3    | I/O  | Multi-purpose input/output 6. This pin defaults to an input with interrupts disabled and is controlled using the MPIOSEL, MPIOLVL, MPIOINV, MPIO3T, MPIOOD and MPIOINT configuration registers. If unused, a pull-up or pull-down resistor is recommended on this pin.  |
| MPIO7               | L3    | I/O  | Multi-purpose input/output 7. This pin defaults to an input with interrupts disabled and is controlled using the MPIOSEL, MPIOLVL, MPIOINV, MPIO3T, MPIOOD and MPIOINT configuration registers. If unused, a pull-up or pull-down resistor is recommended on this pin.  |
| MPIO8               | M2    | I/O  | Multi-purpose input/output 8. This pin defaults to an input with interrupts disabled and is controlled using the MPIOSEL, MPIOLVL, MPIOINV, MPIO3T, MPIOOD and MPIOINT configuration registers. If unused, a pull-up or pull-down resistor is recommended on this pin.  |
| MPIO9               | N1    | I/O  | Multi-purpose input/output 9. This pin defaults to an input with interrupts disabled and is controlled using the MPIOSEL, MPIOLVL, MPIOINV, MPIO3T, MPIOOD and MPIOINT configuration registers. If unused, a pull-up or pull-down resistor is recommended on this pin.  |
| MPIO10              | P1    | I/O  | Multi-purpose input/output 10. This pin defaults to an input with interrupts disabled and is controlled using the MPIOSEL, MPIOLVL, MPIOINV, MPIO3T, MPIOOD and MPIOINT configuration registers. If unused, a pull-up or pull-down resistor is recommended on this pin. |

**PIN DESCRIPTIONS**

| NAME                  | PIN # | TYPE | DESCRIPTION   |
|-----------------------|-------|------|---|
| MPIO11                | M3    | I/O  | Multi-purpose input/output 11. This pin defaults to an input with interrupts disabled and is controlled using the MPIOSEL, MPIOVL, MPIOINV, MPIO3T, MPIOOD and MPIOINT configuration registers. If unused, a pull-up or pull-down resistor is recommended on this pin.      |
| MPIO12                | N2    | I/O  | Multi-purpose input/output 12. This pin defaults to an input with interrupts disabled and is controlled using the MPIOSEL, MPIOVL, MPIOINV, MPIO3T, MPIOOD and MPIOINT configuration registers. If unused, a pull-up or pull-down resistor is recommended on this pin.      |
| MPIO13                | P2    | I/O  | Multi-purpose input/output 13. This pin defaults to an input with interrupts disabled and is controlled using the MPIOSEL, MPIOVL, MPIOINV, MPIO3T, MPIOOD and MPIOINT configuration registers. If unused, a pull-up or pull-down resistor is recommended on this pin.      |
| MPIO14                | M4    | I/O  | Multi-purpose input/output 14. This pin defaults to an input with interrupts disabled and is controlled using the MPIOSEL, MPIOVL, MPIOINV, MPIO3T, MPIOOD and MPIOINT configuration registers. If unused, a pull-up or pull-down resistor is recommended on this pin.      |
| MPIO15                | N3    | I/O  | Multi-purpose input/output 15. This pin defaults to an input with interrupts disabled and is controlled using the MPIOSEL, MPIOVL, MPIOINV, MPIO3T, MPIOOD and MPIOINT configuration registers. If unused, a pull-up or pull-down resistor is recommended on this pin.      |
| <b>EEPROM SIGNALS</b> |       |      |   |
| EECK                  | P13   | I/O  | Serial clock output uses the internal 125 MHz clock divided by 256 (488 KHz) following power-up or reset to read an external EEPROM. This pin may also be manually clocked using the Configuration Register REGB.   |
| EECS                  | R14   | I/O  | Active high chip select output to an external EEPROM with internal weak pull-down resistor. Connect an external 4.7K ohm pull-up resistor to this pin to enable reading of an external EEPROM. This pin may also be manually enabled using the Configuration Register REGB. |
| EEDI                  | P14   | O    | Write data to EEPROM device. It is manually accessible thru the Configuration Register REGB.  |
| EEDO                  | M12   | I    | Read data from EEPROM device with internal pull-down resistor. It is manually accessible thru the Configuration Register REGB.  |
| <b>JTAG SIGNALS</b>   |       |      |   |
| TRST#                 | N4    | I    | JTAG Test Reset. This signal is active LOW with internal pull-up resistor   |
| TCK                   | P3    | I    | JTAG Test Clock   |
| TMS                   | M5    | I    | JTAG Test Mode Select with internal pull-up resistor  |
| TDI                   | R3    | I    | JTAG Data Input with internal pull-up resistor  |
| TDO                   | P4    | O    | JTAG Data Output  |

## PIN DESCRIPTIONS

| NAME                               | PIN #                         | TYPE | DESCRIPTION  |
|------------------------------------|-------------------------------|------|--|
| <b>BUCK REGULATOR SIGNALS</b>      |                               |      |  |
| ENABLE                             | C14                           | I    | Logic '1' enables, logic '0' disables buck regulator output.   |
| LX                                 | A13                           | O    | Output of internal buck regulator. Use 4.7 uH inductor and connect to FB pin as shown in <a href="#">Figure 3</a> .  |
| LX                                 | A14                           | O    |  |
| FB                                 | C11                           | I    | Buck regulator feedback. Decouple with 47uF capacitor and connect to LX pins through 4.7 uH inductor as shown in <a href="#">Figure 3</a> .  |
| PWRGD                              | D13                           | O    | Asserted when the 1.2V internal buck voltage is powered up and within regulation.  |
| <b>ANCILLARY SIGNALS</b>           |                               |      |  |
| RESET#                             | R2                            | I    | System reset (active low). In normal operation, this signal should be HIGH.  |
| TMRCK                              | A10                           | I    | 16-bit timer/counter external clock input.   |
| EN485#                             | C10                           | I    | Auto RS-485 mode enable (active low). This pin is sampled during power up, following a hardware reset (RST#) or soft reset (register RESET). It can be used to start up all 4 UARTs in the Auto RS-485 Half-Duplex Direction control mode. The sampled logic state is transferred to FCTR bit-5 in the UART channel. |
| ENIR#                              | B10                           | I    | Infrared mode enable (active low). This pin is sampled during power up, following a hardware reset (RST#) or soft-reset (register RESET). It can be used to start up all 4 UARTs in the infrared mode. The sampled logic state is transferred to MCR bit-6 in the UART.  |
| TEST0                              | F2                            | I    | Factory Test Modes. For normal operation, connect to GND.  |
| TEST1                              | B11                           | I    |  |
| TEST2                              | A11                           | I    |  |
| <b>POWER / GROUND / NO CONNECT</b> |                               |      |  |
| VCC33                              | D5, D9, E12, J12, M7          | Pwr  | 3.3V I/O power supply.   |
| VCC33A                             | K3                            | Pwr  | 3.3V analog PHY power supply. A ferrite bead is recommended on this pin.   |
| VCC33P                             | B13, C13                      | Pwr  | 3.3V power supply voltage for output stage of buck regulator.  |
| VCC33B                             | B14, B15                      | Pwr  | 3.3V power supply for the analog blocks of the buck regulator.   |
| VCC12                              | D7, D11, E4, G12, K4, L12, M9 | Pwr  | 1.2V core power supply. A ferrite bead is recommended on these pins.   |
| VCC12A                             | K2                            | Pwr  | 1.2V analog PHY power supply. A ferrite bead is recommended on this pin.   |



**PIN DESCRIPTIONS**

| NAME | PIN #  | TYPE | DESCRIPTION                  |
|------|--|------|------------------------------|
| GND  | A4, A8, A12,<br>B12, C12, D4,<br>D6, D8, D10,<br>D12, F1, F4,<br>F12, G3, H1,<br>H2, H12, H15,<br>J3, J4, K1, K12,<br>L4, M1, M6,<br>M8, M10, M15,<br>R4, R8, R12                        | Pwr  | Power supply common, ground. |
| NC   | A1, A2, A3, A5,<br>A6, A15, B1,<br>B2, B3, B4, B5,<br>B6, C2, C3, C4,<br>C5, C6, D3,<br>M11, N9, N10,<br>N11, N12, P7,<br>P8, P9, P10,<br>P11, P12, R1,<br>R7, R9, R10,<br>R11, R13, R15 | -    | No internal connection.      |

**NOTE:** Pin type: I=Input, O=Output, IO= Input/output, OD=Output Open Drain, OT=Output Tristate,  
IS=Input Schmitt Trigger.

## FUNCTIONAL DESCRIPTION

The XR17V354 integrates the functions of four independent enhanced 16550 UARTs, a general purpose 16-bit timer/counter, and 16 multi-purpose I/Os (MPIOs). Each UART channel has its own 16550 UART compatible configuration register set for individual channel control, status and data transfer. The device configuration registers include a set of four consecutive interrupt source registers that provides interrupt status for all four UARTs, timer/counter, MPIOs and a sleep wake-up indicator. Additionally, each UART channel has 256-byte of transmit and receive FIFOs, automatic RTS/CTS or DTR/DSR hardware flow control, automatic XON/XOFF, special character flow control, programmable transmit and receive FIFO trigger levels, infrared encoder/decoder (IrDA ver. 1.1), and a programmable fractional baud rate generator with a prescaler of divide by 1 or 4, and a data rate up to 31.25 Mbps with the 4X sampling rate.

### PCI LOCAL BUS CONFIGURATION SPACE REGISTERS

A set of local bus configuration space register is provided. These registers provide the PCI vendor ID, device ID, sub-vendor ID, product model number, resources and capabilities which is collected by the host during the auto configuration phase that follows immediately after a power up or system reset/reboot. After the host has sorted out all devices on the bus, it defines and download the operating conditions to the cards. One of the definitions is the base address loaded into the Base Address Register (BAR) where the card will be operating in the PCI local bus memory space. All this is described in more detail in [“Section 1.1, PCI LOCAL BUS CONFIGURATION SPACE REGISTERS”](#) on page 11.

### EEPROM INTERFACE

An external 93C46 EEPROM is used to store words of information such as PCI Vendor ID, PCI Device ID, Class Code, etc. Details of this information can be found in [“Section 1.2, EEPROM Interface”](#) on page 15. This information is only used with the plug-and-play auto configuration of the PCI local bus. These data provide automatic hardware installation onto the PCI bus. The EEPROM interface consists of 4 signals, EEDI, EEDO, EECS, and EECK. The EEPROM is not needed when auto configuration is not required in the application. However, if your design requires non-volatile memory for other purpose, it is possible to store and retrieve data on the EEPROM through a special PCI device configuration register. See application note DAN112 for its programming details.

### EXPANSION INTERFACE

The expansion interface of the XR17V354 is used to connect a master device to a slave device in order to add additional UART ports. All pins of the expansion interface must be connected between the two devices or to logic levels as specified in the pin descriptions for each of the signals.

### BUCK REGULATOR

The on chip buck regulator provides a 1.2V output from the device when enabled. This voltage can in turn be used to provide power to the digital core and analog Phy as depicted in [Figure 3](#).

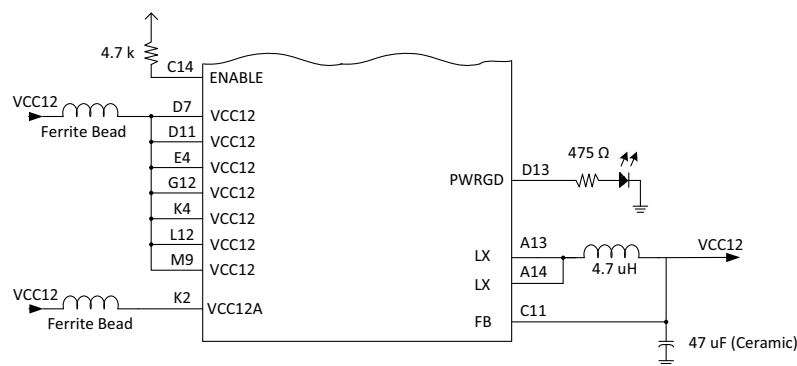


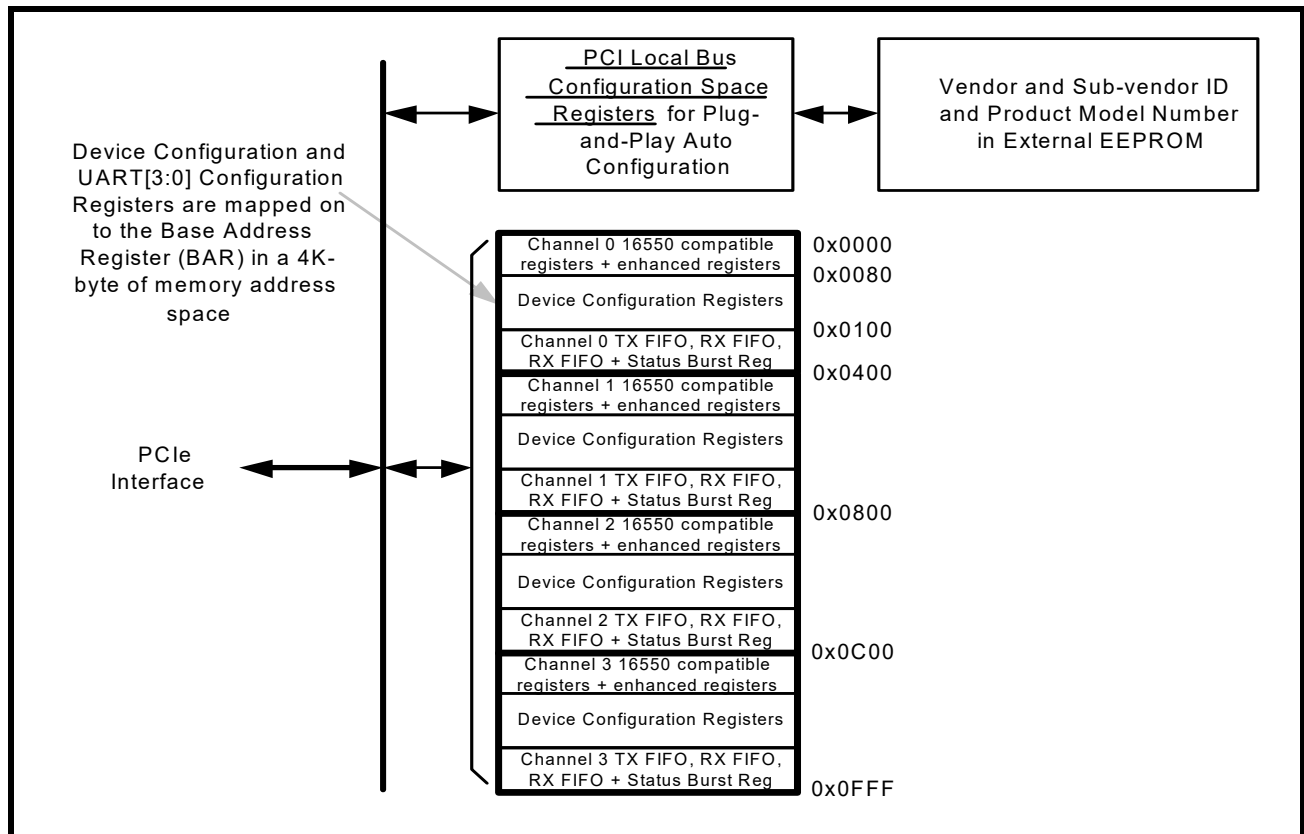
FIGURE 3. BUCK REGULATOR

1.0 XR17V354 INTERNAL REGISTERS

The XR17V354 UART register set is very similar to the previous generation PCI UARTs. This makes the XR17V354 software compatible with the previous generation PCI UARTs. Minimal changes are needed to the software driver of an existing Exar PCI UART driver so that it can be used with the XR17V354 PCIe UART.

There are three different sets of registers as shown in Figure 4. The **PCI Local Bus Configuration Space Registers** are needed for plug-and-play auto-configuration. This auto-configuration feature makes installation very easy into a PCI system and it is part of the PCI local bus specification. The second register set is the **Device Configuration Registers** that are also accessible directly from the PCI bus for programming general operating conditions of the device and monitoring the status of various functions common to all four channels. These functions include all 4 channel UARTs' interrupt control and status, 16-bit general purpose timer control and status, multipurpose inputs/outputs control and status, sleep mode, soft-reset, and device identification and revision. And lastly, each UART channel has its own set of internal **UART Configuration Registers** for its own operation control and status reporting. All 4 sets of channel registers are embedded inside the device configuration registers space, which provides faster access. The second and third set of registers are mapped into 4K of the PCI bus memory address space. The following paragraphs describe all 3 sets of registers in detail.

FIGURE 4. THE XR17V354 REGISTER SETS



1.1 PCI LOCAL BUS CONFIGURATION SPACE REGISTERS

The PCI local bus configuration space registers are responsible for setting up the device's operating environment in the PCI local bus. The pre-defined operating parameters of the device is read by the PCI bus plug-and-play auto-configuration manager in the operating system. After the PCI bus has collected all data from every device/card on the bus, it defines and downloads the memory mapping information to each device/card about their individual operation memory address location and conditions. The operating memory mapped address location is downloaded into the Base Address Register (BAR) register, located at an address offset of 0x10 in the configuration space. Custom modification of certain registers is possible by using an external

93C46 EEPROM. The EEPROM contains the device vendor and sub-vendor data, along with 6 other words of information (see “Section 1.2, EEPROM Interface” on page 15) required by the auto-configuration setup.

**TABLE 1: PCI LOCAL BUS CONFIGURATION SPACE REGISTERS**

| ADDRESS OFFSET | BITS                    | TYPE  | DESCRIPTION  | RESET VALUE (HEX OR BINARY) |
|----------------|-------------------------|---|--|-----------------------------|
| 0x00           | 31:16                   | EWR   | Device ID - No slave device on expansion interface<br>Device ID - XR17V358 slave device on expansion interface<br>Device ID - XR17V354 slave device on expansion interface | 0x0354<br>0x8354<br>0x4354  |
|                | 15:0                    | EWR   | Vendor ID (Exar) specified by PCISIG   | 0x13A8                      |
| 0x04           | 31                      | RWC   | Parity error detected. Cleared by writing a logic 1.   | 0b                          |
|                | 30                      | RWC   | System error detected. Cleared by writing a logic 1.   | 0b                          |
|                | 29:28                   | RO  | Unused   | 00b                         |
|                | 27                      | RO  | Target Abort.  | 0b                          |
|                | 26:25                   | RO  | DEVSEL# timing.  | 00b                         |
|                | 24                      | RO  | Unimplemented bus master error reporting bit   | 0b                          |
|                | 23                      | RO  | Fast back to back transactions are supported   | 0b                          |
|                | 22                      | RO  | Reserved Status bit  | 0b                          |
|                | 21                      | RO  | 66MHz capable  | 0b                          |
|                | 20                      | RO  | Capabilities List  | 1b                          |
|                | 19:16                   | RO  | Reserved Status bits   | 0000b                       |
|                | 15:11, 9, 7, 5, 4, 3, 2 | RO  | Command bits (reserved)  | 0x0000                      |
|                | 10                      | RWR   | This bit disables the device from asserting INTx#. logic 1 = disable assertion of INTx# and logic 0 = enables assertion of INTx#   | 0b                          |
|                | 8                       | RWR   | SERR# driver enable. logic 1=enable driver and 0=disable driver  | 0b                          |
|                | 6                       | RWR   | Parity error enable. logic 1=respond to parity error and 0=ignore  | 0b                          |
| 1              | RWR                     | Command controls a device’s response to mem space accesses: 0=disable mem space accesses, 1=enable mem space accesses | 0b   |                             |
| 0              | RO                      | Device’s response to I/O space accesses is disabled. (0 = disable I/O space accesses)                                 | 0b   |                             |
| 0x08           | 31:8                    | EWR   | Class Code (Default is ‘Simple 550 Communication Controller’)  | 0x070002                    |
|                | 7:0                     | RO  | Revision ID (Exar device revision number)  | Current Rev. value          |
| 0x0C           | 31:24                   | RO  | BIST (Built-in Self Test)  | 0x00                        |
|                | 23:16                   | RO  | Header Type (a single function device with one BAR)  | 0x00                        |
|                | 15:8                    | RO  | Unimplemented Latency Timer (needed only for bus master)   | 0x00                        |
|                | 7:0                     | RO  | Unimplemented Cache Line Size  | 0x00                        |

**TABLE 1: PCI LOCAL BUS CONFIGURATION SPACE REGISTERS**

| ADDRESS OFFSET | BITS  | TYPE | DESCRIPTION   | RESET VALUE (HEX OR BINARY) |
|----------------|-------|------|---|-----------------------------|
| 0x10           | 31:14 | RWR  | Memory Base Address Register (BAR0)   | 0x00000                     |
|                | 13:0  | RO   | These 14 bits are hardwired to 0 in the XR17V354 to inform the PCIe host to allocate 16k of memory space for accessing the Device Configuration and UART Configuration Registers. | 0x0000                      |
| 0x14           | 31:0  | RWR  | Unimplemented Base Address Register (returns zeros)   | 0x00000000                  |
| 0x18h          | 31:0  | RO   | Unimplemented Base Address Register (returns zeros)   | 0x00000000                  |
| 0x1C           | 31:0  | RO   | Unimplemented Base Address Register (returns zeros)   | 0x00000000                  |
| 0x20           | 31:0  | RO   | Unimplemented Base Address Register (returns zeros)   | 0x00000000                  |
| 0x24           | 31:0  | RO   | Unimplemented Base Address Register (returns zeros)   | 0x00000000                  |
| 0x28           | 31:0  | RO   | Reserved  | 0x00000000                  |
| 0x2C           | 31:16 | EWR  | Subsystem ID (write from external EEPROM by customer)   | 0x0000                      |
|                | 15:0  | EWR  | Subsystem Vendor ID (write from external EEPROM by customer)  | 0x0000                      |
| 0x30           | 31:0  | RO   | Expansion ROM Base Address (Unimplemented)  | 0x00000000                  |
| 0x34           | 31:8  | RO   | Reserved (returns zeros)  | 0x000000                    |
|                | 7:0   | RO   | Capability Pointer  | 0x50                        |
| 0x38           | 31:0  | RO   | Reserved (returns zeros)  | 0x00000000                  |
| 0x3C           | 31:24 | RO   | Unimplemented MAXLAT  | 0x00                        |
|                | 23:16 | RO   | Unimplemented MINGNT  | 0x00                        |
|                | 15:8  | RO   | Interrupt Pin, use INTA#.   | 0x01                        |
|                | 7:0   | RWR  | Interrupt Line.   | 0xXX                        |
| 0x40           | 31:0  | RO   | Not implemented or not applicable (return zeros)  | 0x00000000                  |
| 0x44           | 31:0  | RO   | CSR   | 0x02106160                  |
| 0x48           | 31:0  | RO   | Not implemented or not applicable (return zeros)  | 0x00000000                  |
| 0x4C           | 31:0  | RO   | Not implemented or not applicable (return zeros)  | 0x00000000                  |
| 0x50           | 31:16 | RO   | 64-bit address capable  | 0x0080                      |
|                | 15:8  | RO   | Next Capability Pointer   | 0x78                        |
|                | 7:0   | RO   | MSI Capable Capability ID   | 0x05                        |
| 0x54-0x67      | 31:0  | RO   | Not implemented or not applicable (return zeros)  | 0x00000000                  |
| 0x68           | 31:0  | RO   | Not implemented or not applicable   | 0x0000xxxx                  |
| 0x6C-0x77      | 31:0  | RO   | Not implemented or not applicable (return zeros)  | 0x00000000                  |

TABLE 1: PCI LOCAL BUS CONFIGURATION SPACE REGISTERS

| ADDRESS OFFSET | BITS  | TYPE | DESCRIPTION   | RESET VALUE (HEX OR BINARY) |
|----------------|-------|------|---|-----------------------------|
| 0x78           | 31:16 | RO   | PME# support (PME# can be asserted from D3hot and D0)<br>PCI Power Management 1.2 | 0x4803                      |
|                | 15:8  | RO   | Next Capability Pointer   | 0x80                        |
|                | 7:0   | RO   | Power Management Capability ID  | 0x01                        |
| 0x7C           | 31:0  | RO   | No soft reset when transitioning from D3hot to D0 state                           | 0x00000008                  |
| 0x80           | 31:16 | RO   | PCI Express 2.0 capable endpoint, Interrupt Message Number 1                      | 0x0202                      |
|                | 15:8  | RO   | Next Capability Pointer   | 0x00                        |
|                | 7:0   | RO   | PCI Express Capability ID   | 0x10                        |
| 0x84           | 31:16 | RO   | Not implemented or not applicable (return zeros)                                  | 0x0000                      |
|                | 15:8  | RO   | Role-Based Error Reporting  | 0x80                        |
|                | 7:0   | RO   | 256 bytes max payload size  | 0x01                        |
| 0x88           | 31:16 | RW   | Not implemented or not applicable (return zeros)                                  | 0x0000                      |
|                | 15:8  | RW   | 512 bytes max read request, Enable No Snoop                                       | 0x28                        |
|                | 7:0   | RW   | 256 bytes max TLP payload size  | 0x10                        |
| 0x8C           | 31:24 | RO   | Port Number   | 0x01                        |
|                | 23:22 | RO   | Not implemented or not applicable (return zeros)                                  | 00b                         |
|                | 21:18 | RO   | Not implemented or not applicable (return zeros)                                  | 0000b                       |
|                | 17:15 | RO   | L1 Exit Latency < 1 us  | 000b                        |
|                | 14:12 | RO   | L0s Exit Latency < 64 ns  | 000b                        |
|                | 11:10 | RO   | Active State Power Management (ASPM) Support<br>L0s and L1 Supported              | 11b                         |
|                | 9:4   | RO   | x1 max Link Width   | 000001b                     |
|                | 3:0   | RO   | 2.5 GT/s Link speed supported   | 0001b                       |
| 0x90           | 31:21 | RO   | Not implemented or not applicable (return zeros)                                  | 00000000000b                |
|                | 20    | RO   | Data Link Layer Active Reporting capable  | 1b                          |
|                | 19    | RO   | Surprise Down Error Reporting not supported                                       | 0b                          |
|                | 18    | RO   | Reference clock must not be removed.  | 0b                          |
|                | 17:15 | RO   | L1 Exit Latency - 2 us to less than 4 us  | 010b                        |
|                | 14:10 | RO   | Not implemented or not applicable (return zeros)                                  | 00000b                      |
|                | 9:4   | RO   | x1 negotiated Link Width  | 000001b                     |
|                | 3:0   | RO   | Current Link Speed is 2.5 GT/s  | 0001b                       |
| 0x94           | 31:0  | RO   | PCIe Capability Offset 0x14 - Slot Capabilities Register                          | 0x00040000                  |
| 0x98-0xAF      | 31:0  | RO   | Not implemented or not applicable (return zeros)                                  | 0x00000000                  |

**TABLE 1: PCI LOCAL BUS CONFIGURATION SPACE REGISTERS**

| ADDRESS OFFSET | BITS | TYPE | DESCRIPTION   | RESET VALUE (HEX OR BINARY) |
|----------------|------|------|---|-----------------------------|
| 0xB0           | 31:0 | RO   | PCIe Capability Offset 0x30 - Link Status2/Control2 | 0x00010001                  |
| 0xB4-0xFF      | 31:0 | RO   | Not implemented or not applicable (return zeros)    | 0x00000000                  |
| 0x100          | 31:0 | RO   | VC Resource Capability Register                     | 0x00010002                  |
| 0x104-0x113    | 31:0 | RO   | Not implemented or not applicable (return zeros)    | 0x00000000                  |
| 0x114          | 31:0 | RO   | VC Offset 0x4                                       | 0x800000FF                  |

**NOTE:** EWR=Read/Write from external EEPROM. RWR=Read/Write. RO= Read Only. RWC=Read/Write-Clear.

### 1.2 EEPROM Interface

The XR17V354 provides an interface to an Electrically Erasable Programmable Read Only Memory (EEPROM). The EEPROM must be a 93C46-like device, with its memory configured as 16-bit words. This interface is provided in order to program the registers in the PCI Configuration Space of the PCI UART during power-up. The EEPROM must be organized into address/data pairs. The first word of the pair is the address and the second word is the data. [Table 2](#) below shows the format of the 16-bit address:

**TABLE 2: EEPROM ADDRESS BIT DEFINITIONS**

| BIT(S) | DEFINITION   |
|--------|--|
| 15     | Parity Bit - Odd parity over entire address/data pair<br>If there is a parity error, it will be reported in bit-3 of the REGB register in the Device Configuration Registers (offset 0x08E). |
| 14     | Final Address<br>If 1, this will be the last data to be read.<br>If 0, there will be more data to be read after this.  |
| 13:8   | Reserved - Bits must be '0'  |
| 7:0    | Target Address - See <a href="#">Table 3</a>   |

Table 3 shows the Target Addresses available for programming into bits 7:0 of the 16-bit address word. All other Target Addresses are reserved and must not be used.

TABLE 3: TARGET ADDRESS FOR EEPROM VALUES

| TARGET ADDRESS | DATA  | EXAR DEFAULT  |
|----------------|---|---|
| 0x00           | Vendor ID                                     | 0x13A8  |
| 0x01           | Device ID                                     | 0x0354 - No slave<br>0x4354 - XR17V354 slave present<br>0x8354 - XR17V358 slave present |
| 0x02           | Class Code [7:0]<br>lower 8-bits are reserved | 0x0200  |
| 0x03           | Class Code [23:8]                             | 0x0700  |
| 0x04           | Subsystem Vendor ID                           | 0x0000  |
| 0x05           | Subsystem ID                                  | 0x0000  |

The second 16-bit word of the address/data pair is the data. The default values are shown in Table 3. The address/data pairs can be in any order. Only the contents which need to be changed from the Exar defaults need to be included in the EEPROM.

### 1.3 Device Internal Register Sets

The **Device Configuration Registers** and the four individual **UART Configuration Registers** of the XR17V354 occupy 4K of PCI bus memory address space. These addresses are offset onto the basic memory address, a value loaded into the Memory Base Address Register (BAR) in the PCI local bus configuration register set. The UART Configuration Registers are mapped into 4 address blocks where each UART channel occupies 1024 bytes memory space for its own registers that include the 16550 compatible registers. The Device Configuration Registers are accessible from all UART channels. However, not all bits can be controlled by all channels. The UART channel can only control the 8XMODE, 4XMODE, RESET and SLEEP register bits that apply to that particular channel. For example, this prevents channel 0 from accidentally resetting channel 1.

All these registers can be accessed in 8, 16, 24 or 32 bits width depending on the starting address given by the host at the beginning of the bus cycle. Transmit and receive data may be loaded or unloaded in 8, 16, 24 or 32 bits format in special locations given in the Table 4 below. Every time a read or write operation is made to the transmit or receive register, its FIFO data pointer is automatically bumped to the next sequential data location either in byte, word or DWORD. One special case applies to the receive data unloading when reading the receive data together with its LSR register content. The host must read them in 16 or 32 bits format in order to maintain integrity of the data byte with its associated error flags. These special registers are further discussed in "Section 2.1, FIFO DATA LOADING AND UNLOADING IN 32-BIT FORMAT" on page 30.



**TABLE 4: XR17V354 UART AND DEVICE CONFIGURATION REGISTERS**

| OFFSET ADDRESS  | MEMORY SPACE                   | READ/WRITE            | COMMENT                           |
|-----------------|--------------------------------|-----------------------|-----------------------------------|
| 0x0000 - 0x000F | UART channel 0 Regs            | (Table 13 & Table 14) | First 8 regs are 16550 compatible |
| 0x0010 - 0x007F | Reserved                       |                       |                                   |
| 0x0080 - 0x009A | DEVICE CONFIGURATION REGISTERS | (Table 5)             |                                   |
| 0x009B - 0x00FF | Reserved                       |                       |                                   |
| 0x0100 - 0x01FF | UART 0 – Read FIFO             | Read-Only             | 256 bytes of RX FIFO data         |
| 0x0100 - 0x01FF | UART 0 – Write FIFO            | Write-Only            | 256 bytes of TX FIFO data         |
| 0x0200 - 0x03FF | UART 0 – Read FIFO with errors | Read-Only             | 256 bytes of RX FIFO data + LSR   |
|                 |                                |                       |                                   |
| 0x0400 - 0x040F | UART channel 1 Regs            | (Table 13 & Table 14) | First 8 regs are 16550 compatible |
| 0x0410 - 0x047F | Reserved                       |                       |                                   |
| 0x0480 - 0x049A | DEVICE CONFIGURATION REGISTERS | (Table 5)             |                                   |
| 0x049B - 0x04FF | Reserved                       |                       |                                   |
| 0x0500 - 0x05FF | UART 1 – Read FIFO             | Read-Only             | 256 bytes of RX FIFO data         |
| 0x0500 - 0x05FF | UART 1 – Write FIFO            | Write-Only            | 256 bytes of TX FIFO data         |
| 0x0600 - 0x07FF | UART 1 – Read FIFO with errors | Read-Only             | 256 bytes of RX FIFO data + LSR   |
|                 |                                |                       |                                   |
| 0x0800 - 0x080F | UART channel 2 Regs            | (Table 13 & Table 14) | First 8 regs are 16550 compatible |
| 0x0810 - 0x087F | Reserved                       |                       |                                   |
| 0x0880 - 0x089A | DEVICE CONFIGURATION REGISTERS | (Table 5)             |                                   |
| 0x089B - 0x08FF | Reserved                       |                       |                                   |
| 0x0900 - 0x09FF | UART 2 – Read FIFO             | Read-Only             | 256 bytes of RX FIFO data         |
| 0x0900 - 0x09FF | UART 2 – Write FIFO            | Write-Only            | 256 bytes of TX FIFO data         |
| 0x0A00 - 0x0BFF | UART 2 – Read FIFO with errors | Read-Only             | 256 bytes of RX FIFO data + LSR   |
|                 |                                |                       |                                   |
| 0x0C00 - 0x0C0F | UART channel 3 Regs            | (Table 13 & Table 14) | First 8 regs are 16550 compatible |
| 0x0C10 - 0x0C7F | Reserved                       |                       |                                   |
| 0x0C80 - 0x0C9A | DEVICE CONFIGURATION REGISTERS | (Table 5)             |                                   |
| 0x0C9B - 0x0CFF | Reserved                       |                       |                                   |
| 0x0D00 - 0x0DFF | UART 3 – Read FIFO             | Read-Only             | 256 bytes of RX FIFO data         |
| 0x0D00 - 0x0DFF | UART 3 – Write FIFO            | Write-Only            | 256 bytes of TX FIFO data         |
| 0x0E00 - 0x0FFF | UART 3 – Read FIFO with errors | Read-Only             | 256 bytes of RX FIFO data + LSR   |

### 1.4 Device Configuration Registers

The Device Configuration Registers provide easy programming of general operating parameters to the XR17V354 and for monitoring the status of various functions. These registers control or report on all 4 channel UARTs functions that include interrupt control and status, 16-bit general purpose timer control and status, multipurpose inputs/outputs control and status, sleep mode control, soft-reset control, and device identification and revision, and others. **Table 5** and **Table 6** below show these registers in BYTE and DWORD alignment. Each of these registers is described in detail in the following paragraphs.

**TABLE 5: DEVICE CONFIGURATION REGISTERS SHOWN IN BYTE ALIGNMENT**

| ADDRESS [A7:A0] | REGISTER      | READ/WRITE COMMENT   | RESET STATE               |
|-----------------|---------------|--|---------------------------|
| 0x080           | INT0 [7:0]    | Read-only Interrupt [7:0]  | Bits [7:0] = 0x00         |
| 0x081           | INT1 [15:8]   | Read-only  | Bits [7:0] = 0x00         |
| 0x082           | INT2 [23:16]  | Read-only  | Bits [7:0] = 0x00         |
| 0x083           | INT3 [31:24]  | Read-only  | Bits [7:0] = 0x00         |
|                 |               |  |                           |
| 0x084           | TIMERCNTL     | Read/Write Timer Control   | Bits [7:0] = 0x00         |
| 0x085           | REGA          | Reserved   | Bits [7:0] = 0x00         |
| 0x086           | TIMERLSB      | Read/Write Timer LSB   | Bits [7:0]= 0x00          |
| 0x087           | TIMERMSB      | Read/Write Timer MSB   | Bits [7:0]= 0x00          |
|                 |               |  |                           |
|                 |               | Individual UART channels can only control the bit pertaining to that channel in the registers at address offset 0x088-0x08B. |                           |
| 0x088           | 8XMODE        | Read/Write   | Bits [7:0] = 0x00         |
| 0x089           | 4XMODE        | Read/Write   | Bits [7:0] = 0x00         |
| 0x08A           | RESET         | Write-only Self clear bits after executing Reset   | Bits [7:0] = 0x00         |
| 0x08B           | SLEEP         | Read/Write Sleep mode  | Bits [7:0]= 0x00          |
|                 |               |  |                           |
| 0x08C           | DREV          | Read-only Device revision  | Bits [7:0] = Current Rev. |
| 0x08D           | DVID          | Read-only Device identification  | Bits [7:0] = 0x84         |
| 0x08E           | REGB          | Read/Write EEPROM control  | Bits [7:0] = 0x00         |
| 0x08F           | MPIOINT[7:0]  | Read/Write MPIO[7:0] interrupt mask  | Bits [7:0] = 0x00         |
|                 |               |  |                           |
| 0x090           | MPIOLVL[7:0]  | Read/Write MPIO[7:0] level control   | Bits [7:0] = 0x00         |
| 0x091           | MPIO3T[7:0]   | Read/Write MPIO[7:0] output control  | Bits [7:0] = 0x00         |
| 0x092           | MPIOINV[7:0]  | Read/Write MPIO[7:0] input polarity select   | Bits [7:0] = 0x00         |
| 0x093           | MPIOSEL[7:0]  | Read/Write MPIO[7:0] select  | Bits [7:0] = 0xFF         |
|                 |               |  |                           |
| 0x094           | MPIOOD[7:0]   | Read/Write MPIO[7:0] open-drain output control   | Bits [7:0] = 0x00         |
| 0x095           | MPIOINT[15:8] | Read/Write MPIO[15:8] interrupt mask   | Bits [15:8] = 0x00        |
| 0x096           | MPIOLVL[15:8] | Read/Write MPIO[15:8] level control  | Bits [15:8] = 0x00        |
| 0x097           | MPIO3T[15:8]  | Read/Write MPIO[15:8] output control   | Bits [15:8] = 0x00        |

**TABLE 5: DEVICE CONFIGURATION REGISTERS SHOWN IN BYTE ALIGNMENT**

| ADDRESS [A7:A0] | REGISTER      | READ/WRITE COMMENT                              | RESET STATE        |
|-----------------|---------------|---|--------------------|
| 0x098           | MPIOINV[15:8] | Read/Write MPIO[15:8] input polarity select     | Bits [15:8] = 0x00 |
| 0x099           | MPIOSEL[15:8] | Read/Write MPIO[15:8] select                    | Bits [15:8] = 0xFF |
| 0x09A           | MPIOOD[15:8]  | Read/Write MPIO[15:8] open-drain output control | Bits [15:8] = 0x00 |
| 0x09B           | Reserved      |   | 0x00               |

**TABLE 6: DEVICE CONFIGURATION REGISTERS SHOWN IN DWORD ALIGNMENT**

| ADDRESS       | REGISTER                | BYTE 3 [31:24] | BYTE 2 [23:16] | BYTE 1 [15:8] | BYTE 0 [7:0]  |
|---------------|-------------------------|----------------|----------------|---------------|---------------|
| 0x0080-0x0083 | INTERRUPT (read-only)   | INT3           | INT2           | INT1          | INT0          |
| 0x0084-0x0087 | TIMER (read/write)      | TIMERMSB       | TIMERLSB       | Reserved      | TIMERCNTL     |
| 0x0088-0x008B | ANCILLARY1 (read/write) | SLEEP          | RESET          | 4XMODE        | 8XMODE        |
| 0x008C-0x008F | ANCILLARY2 (read-only)  | MPOINT[7:0]    | REGB           | DVID          | DREV          |
| 0x0090-0x0093 | MPIO1 (read/write)      | MPIOSEL[7:0]   | MPIOINV[7:0]   | MPIO3T[7:0]   | MPIOLVL[7:0]  |
| 0x0094-0x0097 | MPIO2 (read/write)      | MPIO3T[7:0]    | MPIOLVL[15:8]  | MPOINT[15:8]  | MPIOOD[7:0]   |
| 0x0098-0x009B | MPIO3 (read/write)      | Reserved       | MPIOOD[15:8]   | MPIOSEL[15:8] | MPIOINV[15:8] |

#### 1.4.1 The Global Interrupt Registers - INT0, INT1, INT2 and INT3

The XR17V354 can support two different interrupt schemes with a 32-bit wide register [INT3, INT2, INT1 and INT0]. The first scheme uses INT0 (bits [7:0]) along with the Interrupt Status Register (ISR) of the individual UART channels. The INT0 register is an 8-bit indicator representing all 8 channels with each bit representing a channel from 0 to 7. Once the interrupting channel is determined, the ISR of the interrupting channel is read to determine the interrupt to be serviced.

The second interrupt scheme uses INT3 – INT1 to provide details about the source of the interrupts for each UART channel. Interrupts are encoded into a 3-bit code where bits [10:8] represent channel 0 and bits [31:29] represent channel 7, respectively. Using this scheme, the highest pending interrupt for all 8 channels are available with a single DWORD read operation without having to read the ISR register of the individual UART channels. If there is a global interrupt such as the wake-up interrupt, timer/counter interrupt or MPIO interrupt, then they would be reported in the 3-bit code for channel 0 in INT1 bits [10:8]. However, since the UART interrupts have a higher priority, all UART channel 0 interrupts must first be cleared before any of the global interrupts can be reported in INT1 bits [10:8].

#### GLOBAL INTERRUPT REGISTER (DWORD) [default 0x00-00-00-00]

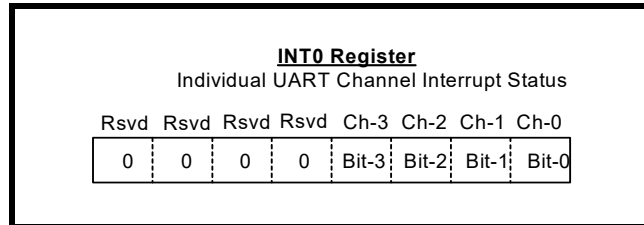
|              |              |             |            |
|--------------|--------------|-------------|------------|
| INT3 [31:24] | INT2 [23:16] | INT1 [15:8] | INT0 [7:0] |
|--------------|--------------|-------------|------------|

All bits start up zero. A special interrupt condition is generated by the XR17V354 upon awakening from sleep after all four channels were put to sleep mode earlier. This wake-up interrupt is cleared by a read to the INT0 register. **Figure 5** shows the 4-byte interrupt register and its make up.

**INT0 [7:0] Channel Interrupt Indicator**

Each bit gives an indication of the channel that has requested for service. Bit [0] represents channel 0 and bit [3] indicates channel 3. The upper four bits INT0[7:4] are reserved. Logic 1 indicates the channel N [3:0] has called for service. The interrupt bit clears after reading the appropriate register of the interrupting channel register, see Interrupt Clearing section.

The INT0 register provides individual status for each channel



**INT3, INT2 and INT1 [31:8] 3-bit Channel Interrupt Encoding**

Each channel's interrupt is encoded into 3 bits for receive, transmit, and status. Bits [10:8] represent channel 0 and go up to channel 3 with bits [19:17]. The 3-bit encoding and their priority order are shown below in Table 7. The wake-up interrupt, timer/counter interrupt and MPIO interrupt are only reported in channel 0 of INT1 (bits[10:8]). These interrupts are not reported in any other location.

FIGURE 5. THE GLOBAL INTERRUPT REGISTER, INT0, INT1, INT2 AND INT3

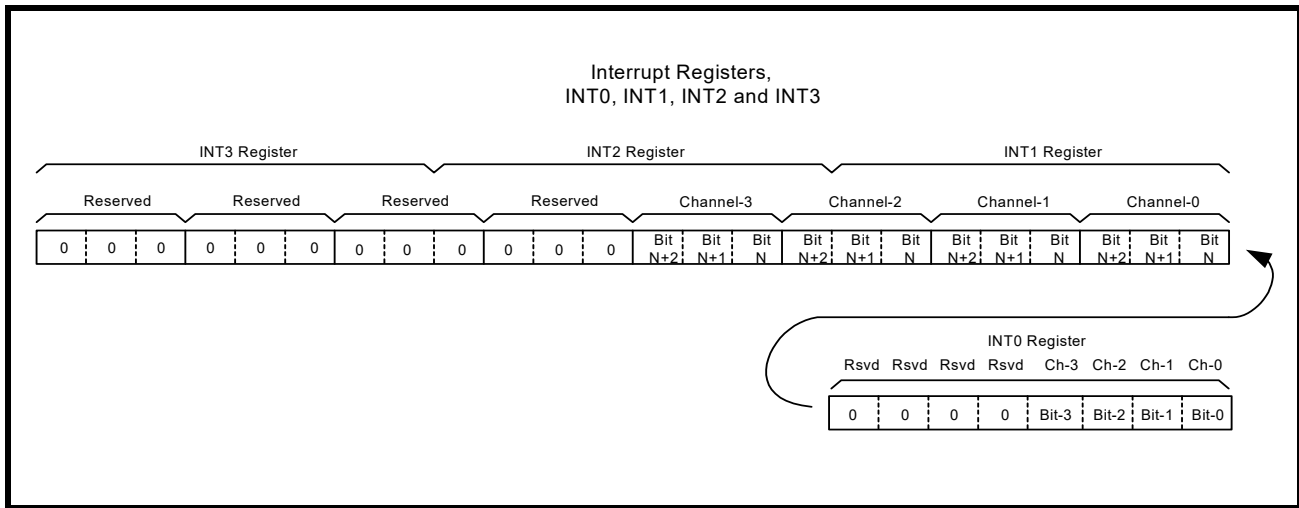


TABLE 7: UART CHANNEL [3:0] INTERRUPT SOURCE ENCODING

| PRIORITY | BIT[N+2] | BIT[N+1] | BIT[N] | INTERRUPT SOURCE(S)   |
|----------|----------|----------|--------|---|
| x        | 0        | 0        | 0      | None or wake-up indicator (wake-up indicator is reported in channel 0 only) |
| 1        | 0        | 0        | 1      | RXRDY and RX Line Status (logic OR of LSR[4:1])                             |
| 2        | 0        | 1        | 0      | RXRDY Time-out  |
| 3        | 0        | 1        | 1      | TXRDY, THR or TSR (auto RS485 mode) empty                                   |
| 4        | 1        | 0        | 0      | MSR, RTS/CTS or DTR/DSR delta or Xoff/Xon det. or special char. detected    |
| 5        | 1        | 0        | 1      | Reserved.   |
| 6        | 1        | 1        | 0      | MPIO pin(s). Reported in channel 0 only.                                    |
| 7        | 1        | 1        | 1      | Timer/Counter. Reported in channel 0 only.                                  |

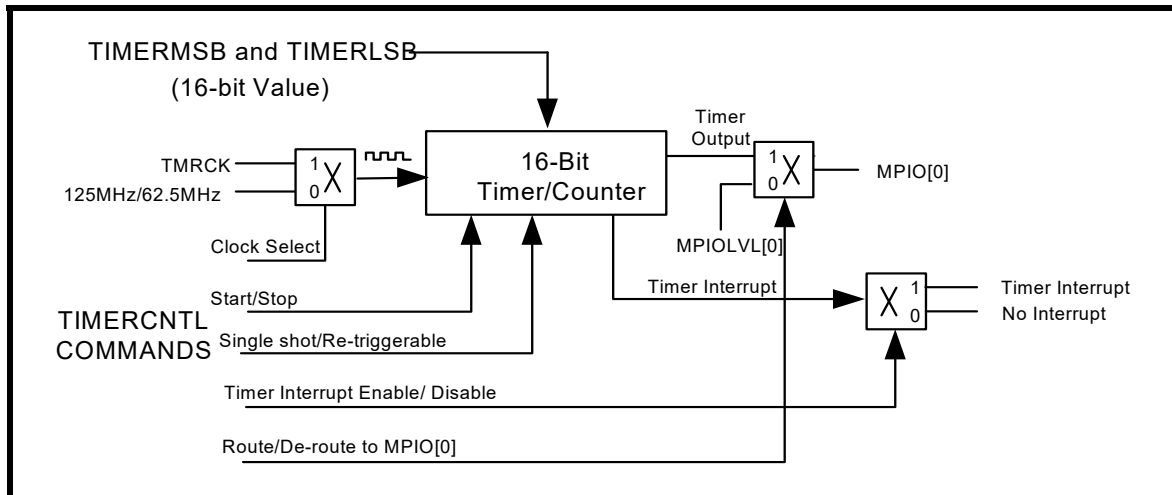
TABLE 8: UART CHANNEL [3:0] INTERRUPT CLEARING

|   |
|---|
| Wake-up Indicator is cleared by reading the INTO register.  |
| RXRDY and RXRDY Time-out is cleared by reading data in the RX FIFO.   |
| RX Line Status interrupt clears after reading the LSR register that is in the UART channel register set.                              |
| TXRDY interrupt clears after reading ISR register that is in the UART channel register set.   |
| Modem Status Register interrupt clears after reading MSR register that is in the UART channel register set.                           |
| RTS/CTS or DTR/DSR delta interrupt clears after reading MSR register that is in the UART channel register set.                        |
| Xoff/Xon delta and special character detect interrupt clears after reading the ISR register that is in the UART channel register set. |
| TIMER Time-out interrupt clears after reading the TIMERCNTL register that is in the Device Configuration register set.                |
| MPIO interrupt clears after reading the MPIOLVL register that is in the Device Configuration register set.                            |

**1.4.2 General Purpose 16-bit Timer/Counter [TIMERMSB, TIMELSB, TIMER, TIMECNTL] (DEFAULT 0xXX-XX-00-00)**

The XR17V354 has a general purpose 16-bit timer/counter. The internal 125 MHz clock (master mode) or 62.5 MHz clock (slave mode) or the external clock at the TMRCK input pin can be selected as the clock source for the timer/counter. The timer can be set to be a single-shot for a one-time event or re-triggerable for a periodic signal. An interrupt may be generated when the timer times out and will show up as a Channel 0 interrupt (see Table 7). It is controlled through 4 configuration registers [TIMERCNTL, TIMER, TIMELSB, TIMERMSB]. The TIMERCNTL register provides the Timer commands such as start/stop, as shown in Table 9 below. The time-out output of the Timer can also be optionally routed to the MPIO[0] pin. The block diagram of the Timer/Counter circuit is shown below:

FIGURE 6. TIMER/COUNTER CIRCUIT

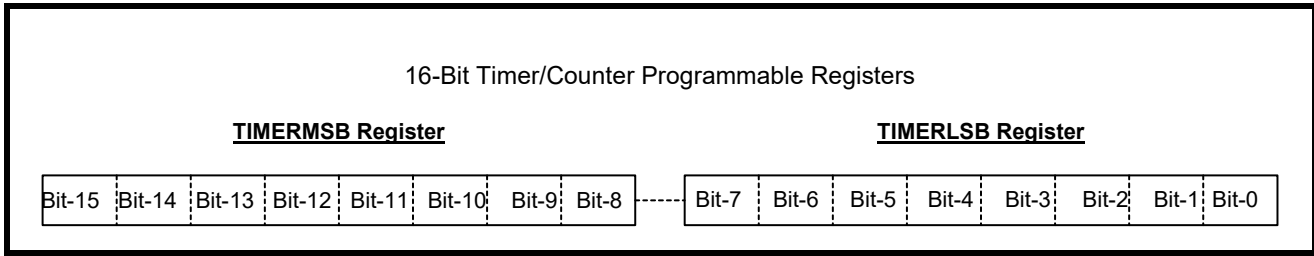


**TIMERMSB [31:24] and TIMERLSB [23:16] registers**

The concatenation of the 8-bit registers TIMERMSB and TIMERLSB forms a 16-bit value which decides the time-out period of the Timer, per the following equation:

$$\text{Timer output frequency} = \text{Timer input clock} / \text{16-bit Timer value}$$

The least-significant bit of the timer is being bit [0] of the TIMERLSB with most-significant-bit being bit [7] in TIMERMSB. Notice that these registers do not hold the current counter value when read. Default value is zero (timer disabled) upon powerup and reset. The 'Reset Timer' command does not have any effect on this register.



**REGA [15:8] Register**

Reserved.

**TIMERCNTL [7:0] Register**

The bits [3:0] of this register are used to issue commands. The commands are self-clearing, so reading this register does not show the last written command. Reading this register returns a value of 0x01 when the Timer interrupt is enabled and there is a pending Timer interrupt. It returns a value of 0x00 at all other times. The default settings of the Timer, upon power-up, a hardware reset or upon the issue of a 'Timer Reset' command are:

- Timer Interrupt Disabled
- Re-triggerable mode selected
- Internal 125 MHz clock (master) or 62.5 MHz clock (slave) selected as clock source
- Timer output not routed to MPIO[0]
- Timer stopped

**TABLE 9: TIMER CONTROL REGISTERS**

|                 |   |
|-----------------|---|
| TIMERCNTL [7:4] | Reserved  |
| TIMERCNTL [3:0] | <p>These bits are used to invoke a series of commands that control the function of the Timer/Counter. The commands 1100 to 1111 are reserved.</p> <p>0001: Enable Timer Interrupt</p> <p>0010: Disable Timer Interrupt</p> <p>0011: Select One-shot mode</p> <p>0100: Select Re-triggerable mode</p> <p>0101: Select Internal 125 MHz clock (master) or 62.5 MHz clock (slave) as clock input for the Timer</p> <p>0110: Select External Clock input through the TMRCK pin for the Timer</p> <p>0111: Route Timer output to MPIO[0] pin</p> <p>1000: De-route Timer output from MPIO[0]</p> <p>1001: Start Timer</p> <p>1010: Stop Timer</p> <p>1011: Reset Timer</p> |

## TIMER OPERATION

The following paragraphs describe the operation of the 16-bit Timer/Counter. The following conventions will be used in this discussion:

- 'N' is the 16-bit value programmed in the TIMER MSB, LSB registers
- $P + Q = N$ , where 'P' and 'Q' are approximately half of 'N'.
- If N is even,  $P = Q = N/2$ .
- If N is odd,  $P = (N - 1)/2$  and  $Q = (N + 1)/2$ .
- 'N' can take any value from 0x0002 to 0xFFFF.

### Timer Operation in One-Shot Mode:

In the one-shot mode, the Timer output will stay HIGH when started (default state) and will continue to stay HIGH until it times out (reaches the terminal count of 'N' clocks), at which time it will become LOW and stay LOW. If the Timer is re-started before the Timer times out, the counter is reset and the Timer will wait for another time-out period before setting its output LOW (See [Figure 7](#)). If the Timer times out, re-starting the Timer does not have any effect and a 'Stop Timer' command needs to be issued first which will set the Timer output to its default HIGH state. The Timer must be programmed while it is stopped since the following operations are blocked after the Timer has been started:

- Any write to TIMER MSB, LSB registers
- Issue of any command other than 'Start Timer', 'Stop Timer' and 'Reset Timer'

### Timer Operation in Re-triggerable Mode:

In the re-triggerable mode, when the Timer is started, the Timer output will stay HIGH until it reaches half of the terminal count  $N$  ( $= P$  clocks) and toggle LOW and stay LOW for a similar amount of time ( $Q$  clocks). The above step will keep repeating until the Timer is stopped at which time the output will become HIGH (default state). See [Figure 7](#). Also, after the Timer is started, re-starting the Timer does not have any effect in re-triggerable mode. The Timer must be programmed while it is stopped since the following operations are blocked when the Timer is running:

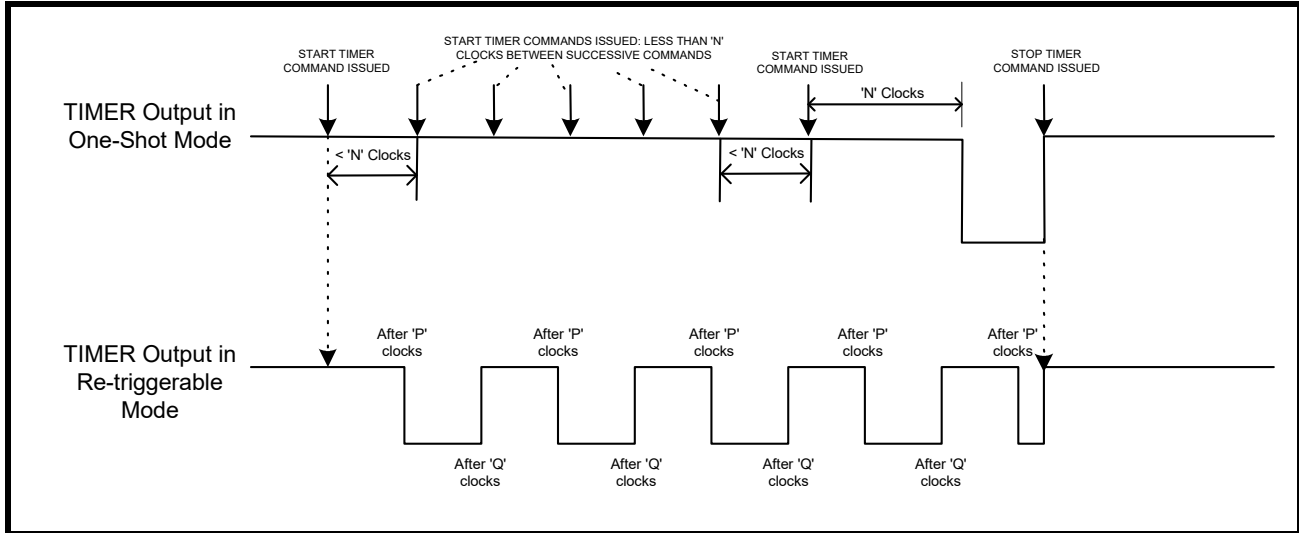
- Any write to TIMER MSB, LSB registers
- Issue of any command other than 'Stop Timer' and 'Reset Timer' ('Start Timer' is not allowed)

### Routing the Timer Output to MPIO[0] Pin:

MPIO[0] pin is by default (on power up or reset, for example) an input. However, whenever the Timer output is routed to MPIO[0] pin,

- MPIO[0] will be automatically selected as an output
- MPIO[0] will become HIGH (the default state of Timer output)
- All MPIO control registers (MPIOLVL, MPIOSEL etc) lose control over MPIO[0] and get the control back only when the Timer output is de-routed from MPIO[0].

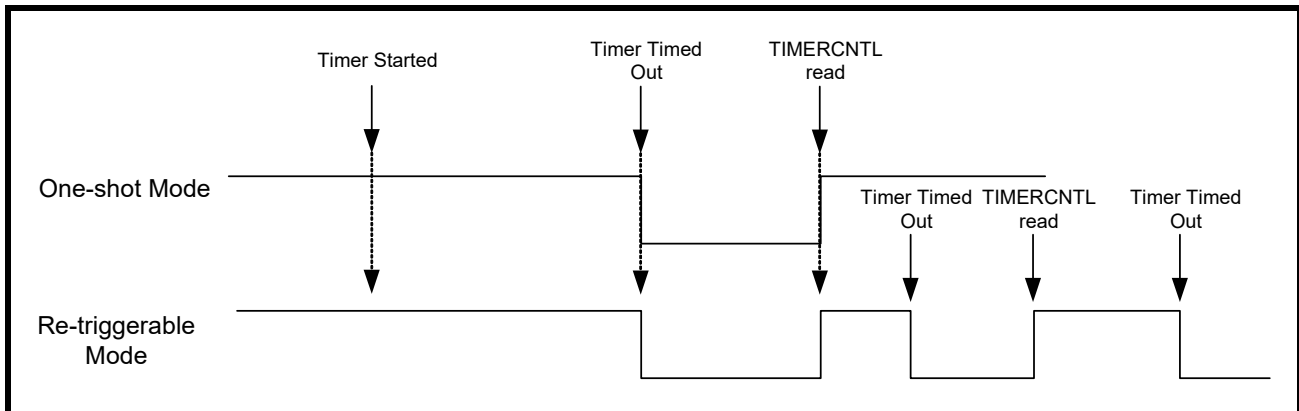
FIGURE 7. TIMER OUTPUT IN ONE-SHOT AND RE-TRIGGERABLE MODES



**Timer Interrupt**

In the one-shot mode, the Timer will issue an interrupt upon timing out which is 'N' clocks after the Timer is started. In the re-triggerable mode, the Timer will keep issuing an interrupt every 'N' clocks which is on every rising edge of the Timer output. The Timer interrupt can be cleared by reading the TIMERCNTL register or when a Timer Reset command is issued which brings the Timer back to its default settings. The TIMERCNTL will read a value of 0x01 when the Timer interrupt is enabled and there is a pending interrupt. It reads a value of 0x00 at all other times. Stopping the Timer does not clear the interrupt and neither does subsequent re-starting.

FIGURE 8. INTERRUPT OUTPUT (ACTIVE LOW) IN ONE-SHOT AND RE-TRIGGERABLE MODES

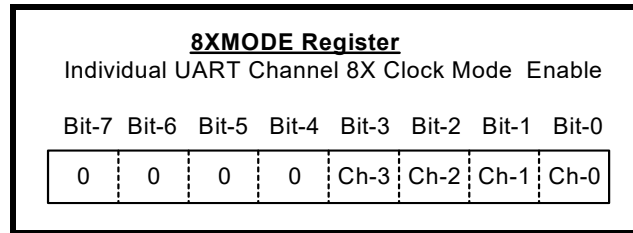


**1.4.3 8XMODE [7:0] (default 0x00)**

Each bit selects 8X or 16X sampling rate for that UART channel. The 8XMODE register is accessible from the Device Configuration Registers in all UART channels but the UART channel can only control the bit for that channel. For example, bit [0] is for channel 0 and can only be controlled by channel 0. All other bits are read-only in channel 0. Logic 0 (default) selects normal 16X sampling (and 4XMODE = 0x00) with logic one selects

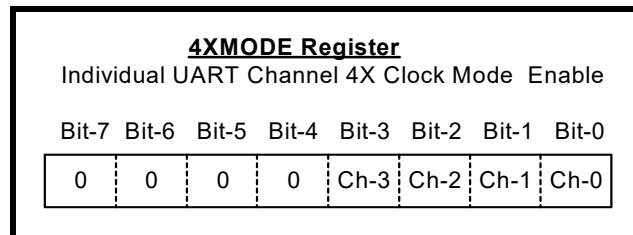


8X sampling rate. Transmit and receive data rates will double by selecting 8X. If using the 4XMODE, the corresponding bit in this register should be logic 0



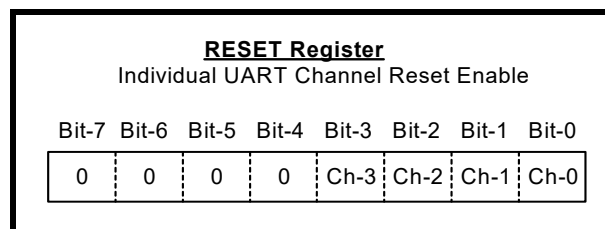
#### 1.4.4 4XMODE [15:8] (default 0x00)

Each bit selects 4X or 16X sampling rate for that UART channel. The 4XMODE register is accessible from the Device Configuration Registers in all UART channels but the UART channel can only control the bit for that channel. For example, bit [0] is channel 0 and can only be controlled by channel 0. All other bits are read-only in channel 0. Logic 0 (default) selects normal 16X sampling (and 8XMODE = 0x00) with logic one selects 4X sampling rate. Transmit and receive data rates will quadruple by selecting 4X. If using the 8XMODE, the corresponding bit in this register should be logic 0

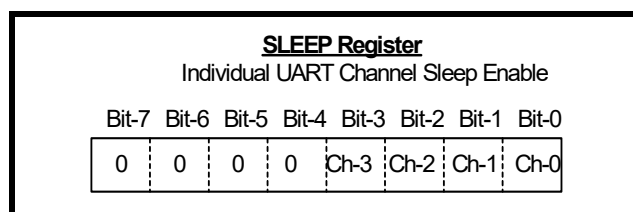


#### RESET [23:16] (default 0x00)

The 8-bit RESET register provides the software with the ability to reset the UART(s) when there is a need. The RESET register is accessible from the Device Configuration Registers in all UART channels but the UART channel can only control the bit for that channel. For example, writing 0xFF to the RESET register in channel 0 will only reset channel 0. Each bit is self-clearing after it is written a logic 1 to perform a reset to that channel. All registers in that channel will be reset to the default condition, see [Table 21](#) for details. .



#### 1.4.5 SLEEP [31:24] (default 0x00)



The 8-bit SLEEP register enables each UART separately to enter Sleep mode. The SLEEP register is accessible from the Device Configuration Registers in all UART channels but the UART channel can only control the bit for that channel. For example, writing 0xFF to the SLEEP register in channel 0 will only enable the sleep mode for channel 0.

Sleep mode reduces power consumption when the system needs to put the UART(s) to idle. The UART enters sleep mode when the following conditions are satisfied after the sleep mode is enabled (Logic 0 (default) is to disable and logic 1 is to enable sleep mode):

- Transmitter and Receiver are empty (LSR[6]=1, LSR[0]=0)
- RX pin is idling at a HIGH in normal mode or a LOW in infrared mode
- The modem inputs (CTS#, DSR#, CD# and RI#) are steady at either HIGH or LOW (MSR bits [3:0] = 0x0)

The XR17V354 is awakened by any of the following events occurring at any of the 4 UART channels:

- A receive data start bit transition (HIGH to LOW in normal mode or from LOW to HIGH in infrared mode)
- A data byte is loaded into the transmitter
- A change of logic state on any of the modem inputs so that any of the delta bits (MSR bits[3:0]) is set (RI# delta bit is only set on the rising edge)

A receive data start bit transition will not wake up the UART if the Multidrop mode is disabled (DLD[6] = 0) and the receiver is disabled (MSR[2] = 1, MSR[0] = 0).

A special interrupt is generated with an indication of no pending interrupt. The XR17V354 will return to sleep mode automatically after all interrupting conditions have been serviced and cleared. It will stay in the sleep mode of operation until it is disabled by resetting the SLEEP register bits.

#### 1.4.6 Device Identification and Revision

There are two internal registers that provide device identification and revision, DVID and DREV registers. The 8-bit content in the DVID register provides device identification. A return value of 0x84 from this register indicates the device is a XR17V354. The DREV register returns an 8-bit value of 0x01 for revision A with 0x02 equals to revision B and so on. This information is very useful to the software driver for identifying which device it is communicating with and to keep up with revision changes.

##### DVID [15:8]

Device identification for the type of UART. The Device ID of the XR17V354 is 0x84.

##### DREV [7:0]

Revision number of the XR17V354. A 0x01 represents "revision-A" with 0x02 for rev-B and so on.

##### REGB [23:16] (default 0x00)

REGB register provides a control for simultaneous write to all 4 UARTs configuration register or individually. This is very useful for device initialization in the power up and reset routines. Also, the register provides a facility to interface to the non-volatile memory device such as a 93C46 EEPROM. In embedded applications, the user can use this facility to store proprietary data in an external EEPROM.

#### 1.4.7 REGB Register

|                      |  |
|----------------------|--|
| REGB[16](Read/Write) | Logic 0 (default) write to each UART configuration registers individually.       |
|                      | Logic 1 enables simultaneous write to all 4 UARTs configuration register.        |
| REGB[17](Read/Write) | Logic 0 (default) - wake-up interrupt is generated when UART exits sleep mode.   |
|                      | Logic 1 - No wake-up interrupt is generated when UART exits sleep mode.          |
| REGB[18](Read/Write) | Logic 0 (default) - Global interrupt enable. Interrupts to PCI host are enabled. |
|                      | Logic 1 - Global interrupt disable. Interrupts to PCI host are disabled.         |

1.4.7 REGB Register

|                       |  |
|-----------------------|--|
| REGB[19] (Read-Only)  | Logic 0 - EEPROM load is valid.<br>Logic 1 - EEPROM load error caused by one of the following conditions: EEPROM not attached, final bit not found, parity error detected. |
| REGB[20] (Write-Only) | Control the EECK, clock, output on the EEPROM interface.   |
| REGB[21] (Write-Only) | Control the EECS, chips select, output to the EEPROM device.   |
| REGB[22] (Write-Only) | EEDI data input. Write data to the EEPROM device.  |
| REGB[23] (Read-Only)  | EEDO data output. Read data from the EEPROM device.  |

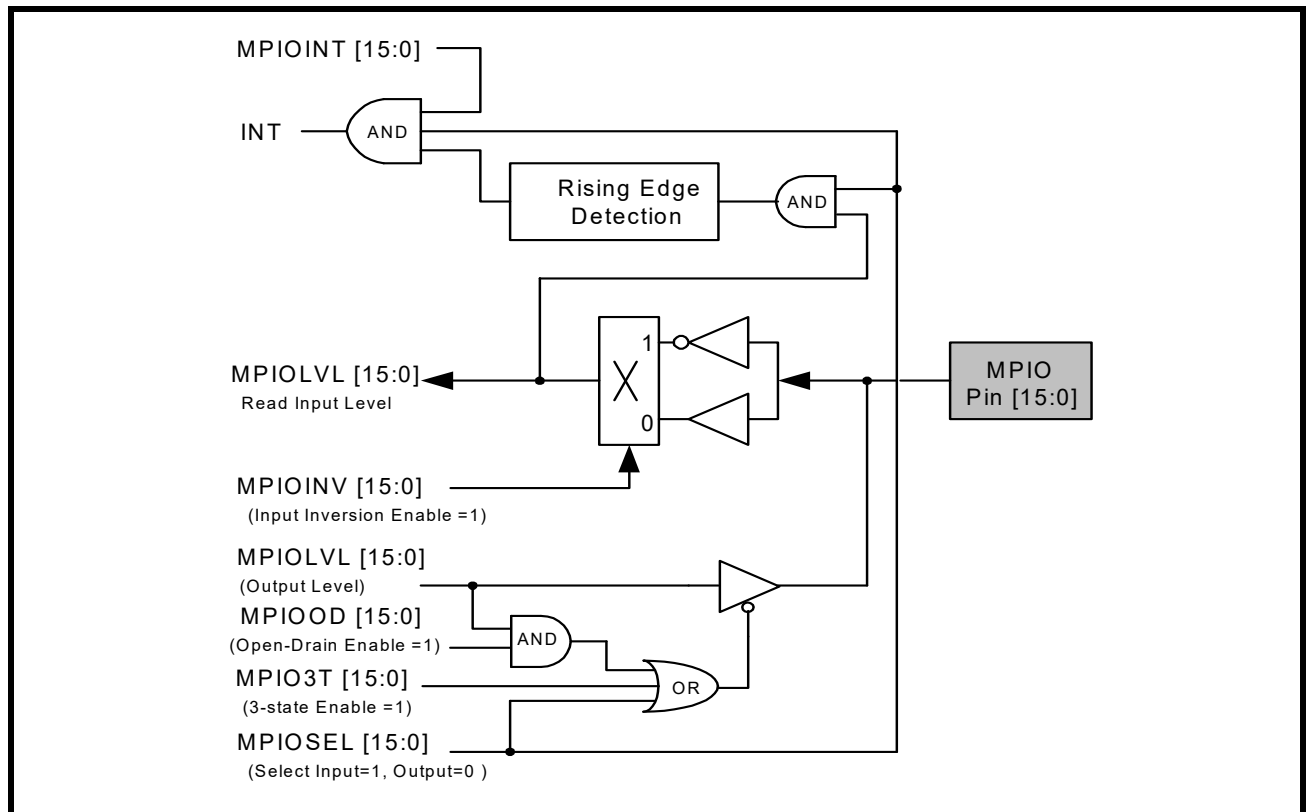
1.4.8 Multi-Purpose Inputs and Outputs

The XR17V354 provides 16 multi-purpose inputs/outputs MPIO[15:0] for general use. Each pin can be programmed to be an input or output function. The input logic state can be set for normal or inverted level, and optionally set to generate an interrupt. The outputs can be set to be normal HIGH or LOW state, 3-state, or open drain. Their functions and definitions are programmed through 6 registers: MPIOINT, MPIOVLV, MPIO3T, MPIOINV, MPIOSEL, and MPIOOD. If all 16 pins are set for inputs, all 16 interrupts would be ORed together. The ORed interrupt is reported in the channel 0 UART interrupt status, see Interrupt Status Register. The pins may also be programmed to be outputs and to the 3-state condition for signal sharing. The MPIO[0] pin can be programmed to show the Timer output. When it is programmed to be the Timer output, all the above 5 registers lose control over the MPIO[0] pin. For details on Timer output, please see "Section 1.4.2, General Purpose 16-bit Timer/Counter [TIMERMSB, TIMELSB, TIMER, TIMECNTL] (default 0xXX-XX-00-00)" on page 21.

1.4.9 MPIO REGISTERS

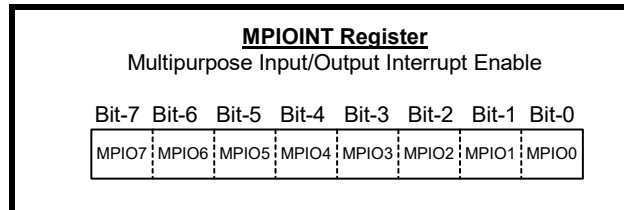
There are 2 sets of 6 registers that select, control and monitor the 16 multipurpose inputs and outputs. Figure 9 shows the internal circuitry.

FIGURE 9. MULTIPURPOSE INPUT/OUTPUT INTERNAL CIRCUIT

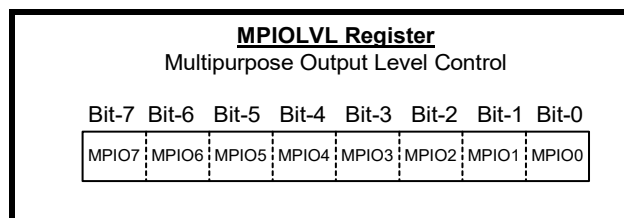


**MPIOINT [15:0] (default 0x00)**

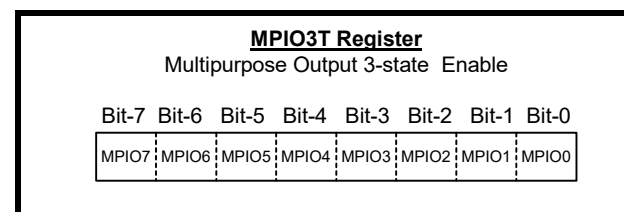
The MPIOINT register enables the multipurpose input pin interrupt. Logic 0 (default) disables the pin's interrupt and logic 1 enables it. If an MPIO pin is selected by MPIOSEL as an input, then it can be selected to generate an interrupt. MPIOINT bit[0] enables input pin MPIO0 for interrupt, and bit [7] enables input pin 7. No interrupt is enable if the pin is selected to be an output. The interrupt is edge sensing and determined by MPIOINV and MPIOLVL registers. The MPIO interrupt clears after a read to register MPIOLVL. The combination of MPIOLVL and MPIOINV determines the interrupt being active LOW or active HIGH.


**MPIOLVL [15:0] (default 0x00)**

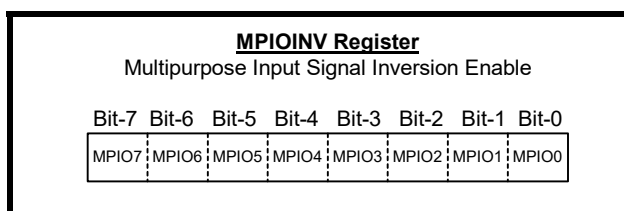
The MPIOLVL register controls the output pins and provides the input level status for the input pins. The status of the input pin(s) is read on this register and output pins are controlled on this register. A logic 0 (default) sets the output to LOW and a logic 1 sets the output pin to HIGH. The MPIO interrupt will clear upon reading this register.


**MPIO3T [15:0] (default 0x00)**

The MPIO outputs can be tri-stated by the MPIO3T register. A logic 0 (default) sets the output to active level per register MPIOBIT settling, a logic 1 sets the output pin to tri-state.

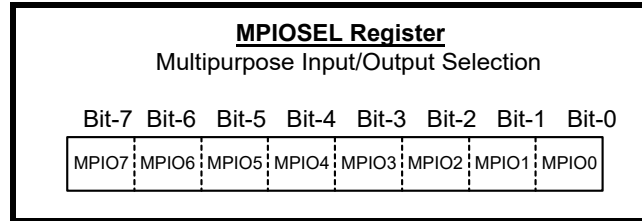

**MPIOINV [15:0] (default 0x00)**

The MPIO inputs can be inverted by the MPIOINV register. A logic 0 (default) does not invert the input pin logic. A logic 1 inverts the input logic level.

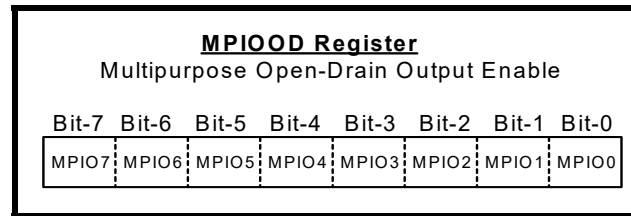


**MPIOSEL [15:0](default 0xFF)**

The MPIOSEL register defines the MPIOs as either an input or output. A logic 1 (default) defines the pin for input and a logic 0 for output.


**MPIOOD [15:0] (default 0x00)**

The MPIO outputs can behave as an open-drain output by the MPIOOD register. When the MPIOOD register is a logic 0 (default), the MPIO is not an open-drain output. A logic 1 enables the MPIO as an open-drain output. This register has no effect, when the MPIO is an input.



**2.0 TRANSMIT AND RECEIVE DATA**

There are two methods to load transmit data and unload receive data from each UART channel. First, there is a transmit data register and receive data register for each UART channel as shown in [Table 4](#) set to ease programming. These registers support 8, 16, 24 and 32 bits wide format. In the 32-bit format, it increases the data transfer rate on the PCI bus. Additionally, a special register location provides receive data byte with its associated error flags. This is a 16-bit or 32-bit read operation where the Line Status Register (LSR) content in the UART channel register is paired along with the data byte. This operation further facilitates data unloading with the error flags without having to read the LSR register separately. Furthermore, the XR17V354 supports 32-bit read/write operation of up to 256 bytes of data.

The second method is through each UART channel’s transmit holding register (THR) and receive holding register (RHR). The THR and RHR registers are 16550 compatible so their access is limited to 8-bit format. The software driver must separately read the LSR content for the associated error flags before reading the data byte.

**2.1 FIFO DATA LOADING AND UNLOADING IN 32-BIT FORMAT**

The XR17V354 supports 32-bit Read and 32-bit Write transactions anywhere in the mapped memory region (except reserved areas). In addition, to utilize this feature fully, the device provides a separate memory location (apart from the individual channel’s register set) where the RX and the TX FIFO can be read from/written to, as shown in [Table 4](#). The following is an extract from the table showing the memory locations that support 32-bit transactions:

Channel N: (for channels 0 through 3) where  $M = 4N + 1$ .

- RX FIFO : 0xM00 - 0xMFF (256 bytes)
- TX FIFO : 0xM00 - 0xMFF (256 bytes)
- RX FIFO + status : 0x(M+1)0 - 0x(M+2)FF (256 bytes data + 256 bytes status)

For example, the locations for channel 2 are:

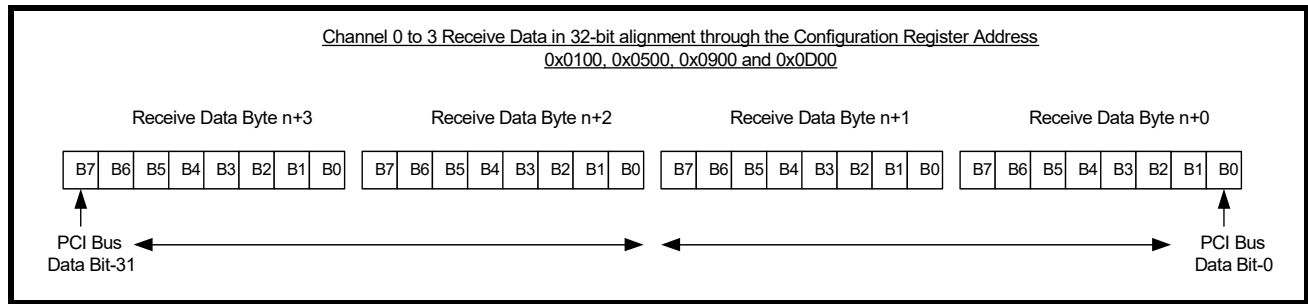
Channel 2:

- RX FIFO : 0x0900 - 0x09FF (256 bytes)
- TX FIFO : 0x0900 - 0x09FF (256 bytes)
- RX FIFO + status : 0x0A00 - 0x0BFF (256 bytes data + 256 bytes status)

**2.1.1 Normal Rx FIFO Data Unloading at locations 0x100, 0x500, 0x900 and 0xD00**

The RX FIFO data can be read out 32 bits at a time at memory locations 0x100 (channel 0), 0x500 (channel 1), 0x900 (channel 2) and 0xD00 (channel 3). This operation is 4 times faster than reading the data in 256 separate 8-bit memory reads of RHR register (0x000 for channel 0, 0x400 for channel 1, 0x800 for channel 2 and 0xC00 for channel 3).

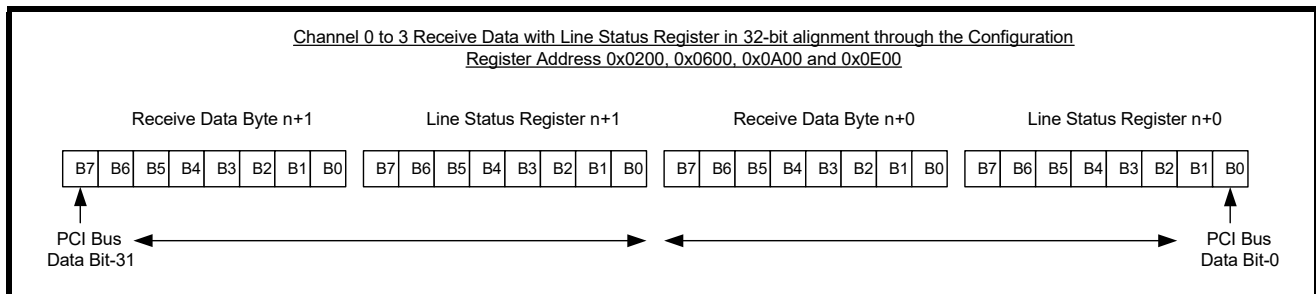
| READ RX FIFO,<br>WITH NO ERRORS | BYTE 3        | BYTE 2        | BYTE 1        | BYTE 0        |
|---------------------------------|---------------|---------------|---------------|---------------|
| Read n+0 to n+3                 | FIFO Data n+3 | FIFO Data n+2 | FIFO Data n+1 | FIFO Data n+0 |
| Read n+4 to n+7                 | FIFO Data n+7 | FIFO Data n+6 | FIFO Data n+5 | FIFO Data n+4 |
| Etc.                            |               |               |               |               |



### 2.1.2 Special Rx FIFO Data Unloading at locations 0x0200, 0x0600, 0x0A00 and 0x0E00

The XR17V354 also provides the same RX FIFO data along with the LSR status information of each byte side-by-side, at locations 0x0200 (channel 0), 0x0600 (channel 1), 0x0A00 (channel 2) and 0x0E00 (channel 3). The Status and Data bytes must be read in 16 or 32 bits format to maintain data integrity. The following tables show this clearly.

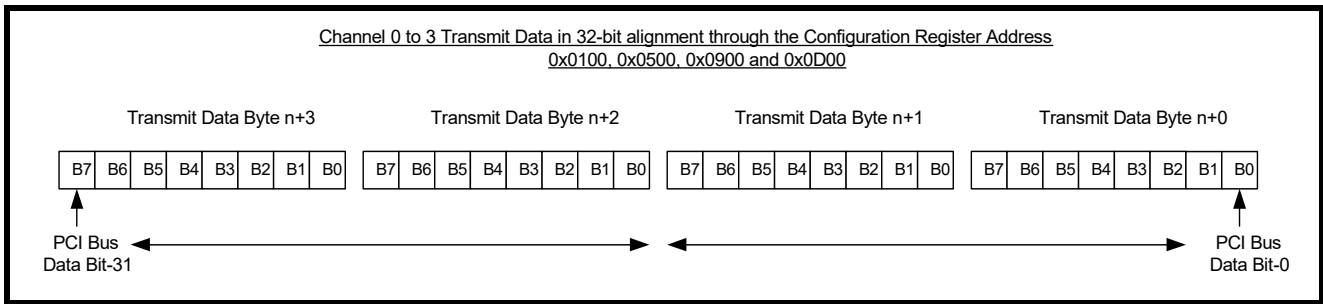
| READ RX FIFO,<br>WITH LSR ERRORS | BYTE 3        | BYTE 2  | BYTE 1        | BYTE 0  |
|----------------------------------|---------------|---------|---------------|---------|
| Read n+0 to n+1                  | FIFO Data n+1 | LSR n+1 | FIFO Data n+0 | LSR n+0 |
| Read n+2 to n+3                  | FIFO Data n+3 | LSR n+3 | FIFO Data n+2 | LSR n+2 |
| Etc                              |               |         |               |         |



### 2.1.3 Tx FIFO Data Loading at locations 0x100, 0x500, 0x900 and 0xD00

The TX FIFO data can be loaded 32 bits (4 bytes) at a time at memory locations 0x0100 (channel 0), 0x0500 (channel 1), 0x0900 (channel 2) and 0x0D00 (channel 3).

| WRITE TX FIFO    | BYTE 3        | BYTE 2        | BYTE 1        | BYTE 0        |
|------------------|---------------|---------------|---------------|---------------|
| Write n+0 to n+3 | FIFO Data n+3 | FIFO Data n+2 | FIFO Data n+1 | FIFO Data n+0 |
| Write n+4 to n+7 | FIFO Data n+7 | FIFO Data n+6 | FIFO Data n+5 | FIFO Data n+4 |
| Etc.             |               |               |               |               |



**2.2 FIFO DATA LOADING AND UNLOADING THROUGH THE UART CHANNEL REGISTERS, THR AND RHR IN 8-BIT FORMAT**

The THR and RHR register address for channel 0 to channel 3 is shown in [Table 10](#) below. The THR and RHR for each channel 0 to 3 are located sequentially at address 0x0000, 0x0200, 0x0400 and 0x0600. Transmit data byte is loaded to the THR when writing to that address and receive data is unloaded from the RHR register when reading that address. Both THR and RHR registers are 16C550 compatible in 8-bit format, so each bus operation can only write or read in bytes.

**TABLE 10: TRANSMIT AND RECEIVE DATA REGISTER IN BYTE FORMAT, 16C550 COMPATIBLE**

| <u>THR and RHR Address Locations For CH0 to CH3 (16C550 Compatible)</u> |       |       |       |       |       |       |       |       |
|---|-------|-------|-------|-------|-------|-------|-------|-------|
| CH0 0x0000 Read THR   | Bit-7 | Bit-6 | Bit-5 | Bit-4 | Bit-3 | Bit-2 | Bit-1 | Bit-0 |
| CH0 0x0000 Write RHR  | Bit-7 | Bit-6 | Bit-5 | Bit-4 | Bit-3 | Bit-2 | Bit-1 | Bit-0 |
| CH1 0x4000 Read THR   | Bit-7 | Bit-6 | Bit-5 | Bit-4 | Bit-3 | Bit-2 | Bit-1 | Bit-0 |
| CH1 0x4000 Write RHR  | Bit-7 | Bit-6 | Bit-5 | Bit-4 | Bit-3 | Bit-2 | Bit-1 | Bit-0 |
| CH2 0x8000 Read THR   | Bit-7 | Bit-6 | Bit-5 | Bit-4 | Bit-3 | Bit-2 | Bit-1 | Bit-0 |
| CH2 0x8000 Write RHR  | Bit-7 | Bit-6 | Bit-5 | Bit-4 | Bit-3 | Bit-2 | Bit-1 | Bit-0 |
| CH3 0xC000 Read THR   | Bit-7 | Bit-6 | Bit-5 | Bit-4 | Bit-3 | Bit-2 | Bit-1 | Bit-0 |
| CH3 0xC000 Write RHR  | Bit-7 | Bit-6 | Bit-5 | Bit-4 | Bit-3 | Bit-2 | Bit-1 | Bit-0 |



### 3.0 UART

There are 4 UARTs channel [3:0] in the XR17V354. Each has its own 256-byte of transmit and receive FIFO, a set of 16550 compatible control and status registers, and a baud rate generator for individual channel data rate setting. Eight additional registers per UART were added for the EXAR enhanced features.

#### 3.1 Programmable Baud Rate Generator with Fractional Divisor

Each UART has its own Baud Rate Generator (BRG) with a prescaler for the transmitter and receiver. The prescaler is controlled by a software bit in the MCR register. The MCR register bit [7] sets the prescaler to divide the internal 125 MHz clock (master) or 62.5 MHz clock (slave) by 1 or 4. The output of the prescaler clocks to the BRG. The BRG further divides this clock by a programmable divisor between 1 and  $(2^{16} - 0.0625)$  in increments of 0.0625 (1/16) to obtain a 16X, 8X or 4X sampling clock of the serial data rate. The sampling clock is used by the transmitter for data bit shifting and receiver for data sampling.

The BRG divisor (DLL, DLM and DLD registers) defaults to 1 (DLL = 0x01, DLM = 0x00, DLD = 0x00). The DLL and DLM registers provide the integer part of the divisor and the DLD register provides the fractional part of the divisor. Only the four lower bits of the DLD are implemented and they are used to select a value from 0 (for setting 0000) to 0.9375 or 15/16 (for setting 1111). Programming the Baud Rate Generator Registers DLL, DLM and DLD provides the capability for selecting the operating data rate. [Table 11](#) shows the divisor for some standard and non-standard data rates when using the internal 125 MHz clock at 16X clock rate. [Table 12](#) shows the divisor for some standard and non-standard data rates when using the internal 62.5 MHz clock at 16X clock rate. If the pre-scaler is used (MCR bit [7] = 1), the output data rate will be 4 times less than that shown in [Table 11](#) and [Table 12](#). At 8X sampling rate, these data rates would double. At 4X sampling rate, these data rates would quadruple. Also, when using 8X or 4X sampling mode, note that the bit-time will have a jitter (+/- 1/16) whenever the DLD is an odd number. For data rates not listed in [Table 11](#), the divisor value can be calculated with the following equation(s):

$$\text{Calculated Divisor (decimal)} = (125 \text{ MHz clock frequency} / \text{prescaler}) / (\text{desired data rate} \times 16),$$

**WHEN 8XMODE = 0 AND 4XMODE = 0**

$$\text{Calculated Divisor (decimal)} = (125 \text{ MHz clock frequency} / \text{prescaler} / (\text{desired data rate} \times 8),$$

**WHEN 8XMODE = 1 AND 4XMODE = 0**

$$\text{Calculated Divisor (decimal)} = (125 \text{ MHz clock frequency} / \text{prescaler} / (\text{desired data rate} \times 4),$$

**WHEN 8XMODE = 0 AND 4XMODE = 1**

The closest actual divisor that is obtainable in the XR17V354 can be calculated using the following formula:

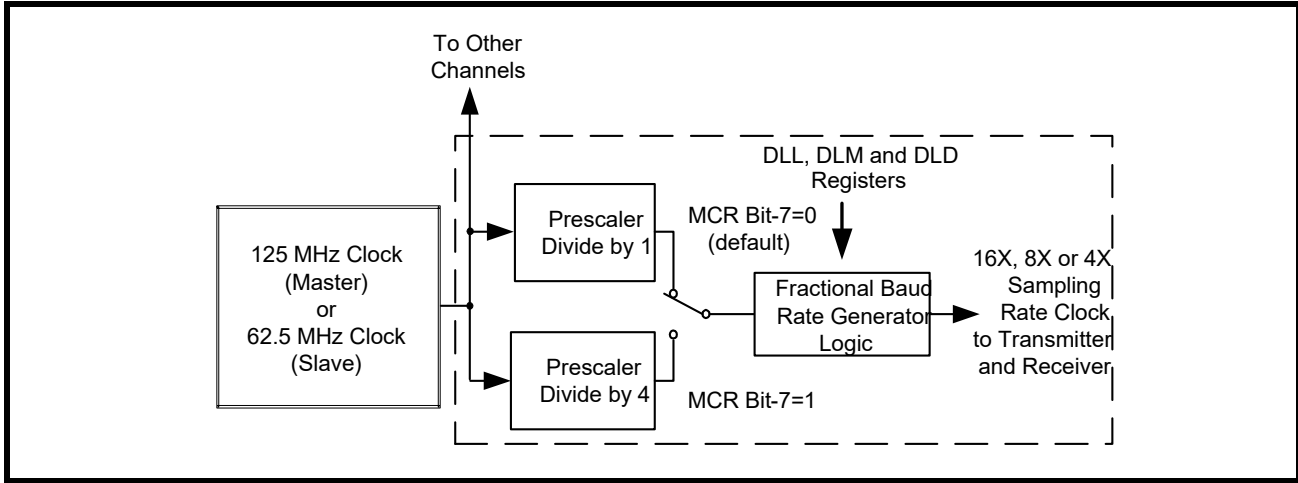
$$\begin{aligned} \text{Actual Divisor (decimal)} = \\ \text{ROUND}((\text{Calculated Divisor} - \text{TRUNC}(\text{Calculated Divisor}) * 16) / 16 + \text{TRUNC}(\text{Calculated Divisor}), \\ \text{DLM} = \text{TRUNC}(\text{Actual Divisor in hex}) \gg 8 \\ \text{DLL} = \text{TRUNC}(\text{Actual Divisor in hex}) \& 0xFF \\ \text{DLD} = \text{ROUND}((\text{Calculated Divisor} - \text{TRUNC}(\text{Calculated Divisor}) * 16) \end{aligned}$$

In the formulas above, please note that:

TRUNC (N) = Integer Part of N. For example, TRUNC (5.6) = 5.

ROUND (N) = N rounded towards the closest integer. For example, ROUND (7.3) = 7 and ROUND (9.9) = 10.

FIGURE 10. BAUD RATE GENERATOR



**TABLE 11: TYPICAL DATA RATES WITH INTERNAL 125 MHz CLOCK AT 16X SAMPLING (MASTER MODE)**

| REQUIRED OUTPUT DATA RATE | DIVISOR FOR 16x Clock (Decimal) | DIVISOR OBTAINABLE IN XR17V354 | DLM PROGRAM VALUE (HEX) | DLL PROGRAM VALUE (HEX) | DLD PROGRAM VALUE (HEX) | DATA ERROR RATE (%) |
|---------------------------|---------------------------------|--------------------------------|-------------------------|-------------------------|-------------------------|---------------------|
| 2400                      | 3255.21                         | 3255 3/16                      | 0C                      | B7                      | 3                       | 0                   |
| 4800                      | 1627.60                         | 1627 9/16                      | 06                      | 5B                      | A                       | 0                   |
| 9600                      | 813.80                          | 813 12/16                      | 03                      | 2D                      | D                       | 0                   |
| 10000                     | 781.25                          | 781 4/16                       | 03                      | 0D                      | 4                       | 0                   |
| 19200                     | 406.90                          | 406 14/16                      | 01                      | 96                      | E                       | 0.01                |
| 25000                     | 312.5                           | 312 8/16                       | 01                      | 38                      | 8                       | 0                   |
| 28800                     | 271.27                          | 271 4/16                       | 01                      | 0F                      | 4                       | 0.01                |
| 38400                     | 203.45                          | 203 7/16                       | 00                      | CB                      | 7                       | 0.01                |
| 50000                     | 156.25                          | 156 4/16                       | 00                      | 9C                      | 4                       | 0                   |
| 57600                     | 135.63                          | 135 10/16                      | 00                      | 87                      | A                       | 0.01                |
| 75000                     | 104.17                          | 104 2/16                       | 00                      | 68                      | 3                       | 0.02                |
| 100000                    | 78.125                          | 78 2/16                        | 00                      | 4E                      | 2                       | 0                   |
| 115200                    | 67.82                           | 67 13/16                       | 00                      | 43                      | D                       | 0.01                |
| 153600                    | 50.86                           | 50 13/16                       | 00                      | 32                      | E                       | 0.02                |
| 200000                    | 39.06                           | 39 1/16                        | 00                      | 27                      | 1                       | 0                   |
| 225000                    | 34.72                           | 34 11/16                       | 00                      | 22                      | C                       | 0.08                |
| 230400                    | 33.91                           | 33 14/16                       | 00                      | 21                      | F                       | 0.09                |
| 250000                    | 31.25                           | 31 4/16                        | 00                      | 1F                      | 4                       | 0                   |
| 300000                    | 26.04                           | 26                             | 00                      | 1A                      | 1                       | 0.08                |
| 400000                    | 19.53                           | 19 8/16                        | 00                      | 13                      | 9                       | 0.16                |
| 460800                    | 16.95                           | 16 15/16                       | 00                      | 10                      | F                       | 0.10                |
| 500000                    | 15.625                          | 15 10/16                       | 00                      | 0F                      | A                       | 0                   |
| 576000                    | 13.56                           | 13 9/16                        | 00                      | 0D                      | 9                       | 0.01                |
| 750000                    | 10.42                           | 10 6/16                        | 00                      | 0A                      | 7                       | 0.20                |
| 921600                    | 8.48                            | 8 7/16                         | 00                      | 08                      | 8                       | 0.27                |
| 1000000                   | 7.81                            | 7 13/16                        | 00                      | 07                      | D                       | 0                   |
| 1152000                   | 6.78                            | 6 12/16                        | 00                      | 06                      | D                       | 0.45                |

TABLE 12: TYPICAL DATA RATES WITH 62.5 MHz CLOCK AT 16X SAMPLING (SLAVE MODE)

| REQUIRED OUTPUT DATA RATE | DIVISOR FOR 16x Clock (Decimal) | DIVISOR OBTAINABLE IN XR17V354 | DLM PROGRAM VALUE (HEX) | DLL PROGRAM VALUE (HEX) | DLD PROGRAM VALUE (HEX) | DATA ERROR RATE (%) |
|---------------------------|---------------------------------|--------------------------------|-------------------------|-------------------------|-------------------------|---------------------|
| 2400                      | 1627.60                         | 1627 9/16                      | 06                      | 5B                      | A                       | 0                   |
| 4800                      | 813.80                          | 813 12/16                      | 03                      | 2D                      | D                       | 0                   |
| 9600                      | 406.90                          | 406 14/16                      | 01                      | 96                      | E                       | 0.01                |
| 10000                     | 390.63                          | 390 10/16                      | 01                      | 86                      | A                       | 0                   |
| 19200                     | 203.45                          | 203 7/16                       | 00                      | CB                      | 7                       | 0.01                |
| 25000                     | 156.25                          | 156 4/16                       | 00                      | 9C                      | 4                       | 0                   |
| 28800                     | 135.63                          | 135 10/16                      | 00                      | 87                      | A                       | 0.01                |
| 38400                     | 101.73                          | 101 11/16                      | 00                      | 65                      | C                       | 0.02                |
| 50000                     | 78.13                           | 78 2/16                        | 00                      | 4E                      | 2                       | 0                   |
| 57600                     | 67.82                           | 67 13/16                       | 00                      | 43                      | D                       | 0.01                |
| 75000                     | 52.08                           | 52 1/16                        | 00                      | 34                      | 1                       | 0.04                |
| 100000                    | 39.06                           | 39 1/16                        | 00                      | 27                      | 1                       | 0                   |
| 115200                    | 33.91                           | 33 14/16                       | 00                      | 21                      | F                       | 0.09                |
| 153600                    | 25.43                           | 25 6/16                        | 00                      | 19                      | 7                       | 0.02                |
| 200000                    | 19.53                           | 19 8/16                        | 00                      | 13                      | 9                       | 0.16                |
| 225000                    | 17.36                           | 17 5/16                        | 00                      | 11                      | 6                       | 0.08                |
| 230400                    | 16.95                           | 16 15/16                       | 00                      | 10                      | F                       | 0.10                |
| 250000                    | 15.63                           | 15 10/16                       | 00                      | 0F                      | A                       | 0                   |
| 300000                    | 13.02                           | 13 0/16                        | 00                      | 0D                      | 0                       | 0.16                |
| 400000                    | 9.77                            | 9 12/16                        | 00                      | 09                      | C                       | 0.16                |
| 460800                    | 8.48                            | 8 7/16                         | 00                      | 08                      | 8                       | 0.27                |
| 500000                    | 7.81                            | 7 13/16                        | 00                      | 07                      | D                       | 0                   |
| 576000                    | 6.78                            | 6 12/16                        | 00                      | 06                      | D                       | 0.45                |
| 750000                    | 5.21                            | 5 3/16                         | 00                      | 05                      | 3                       | 0.40                |
| 921600                    | 4.24                            | 4 3/16                         | 00                      | 04                      | 4                       | 0.27                |
| 1000000                   | 3.91                            | 3 14/16                        | 00                      | 03                      | F                       | 0.79                |
| 1152000                   | 3.39                            | 3 6/16                         | 00                      | 03                      | 6                       | 0.47                |

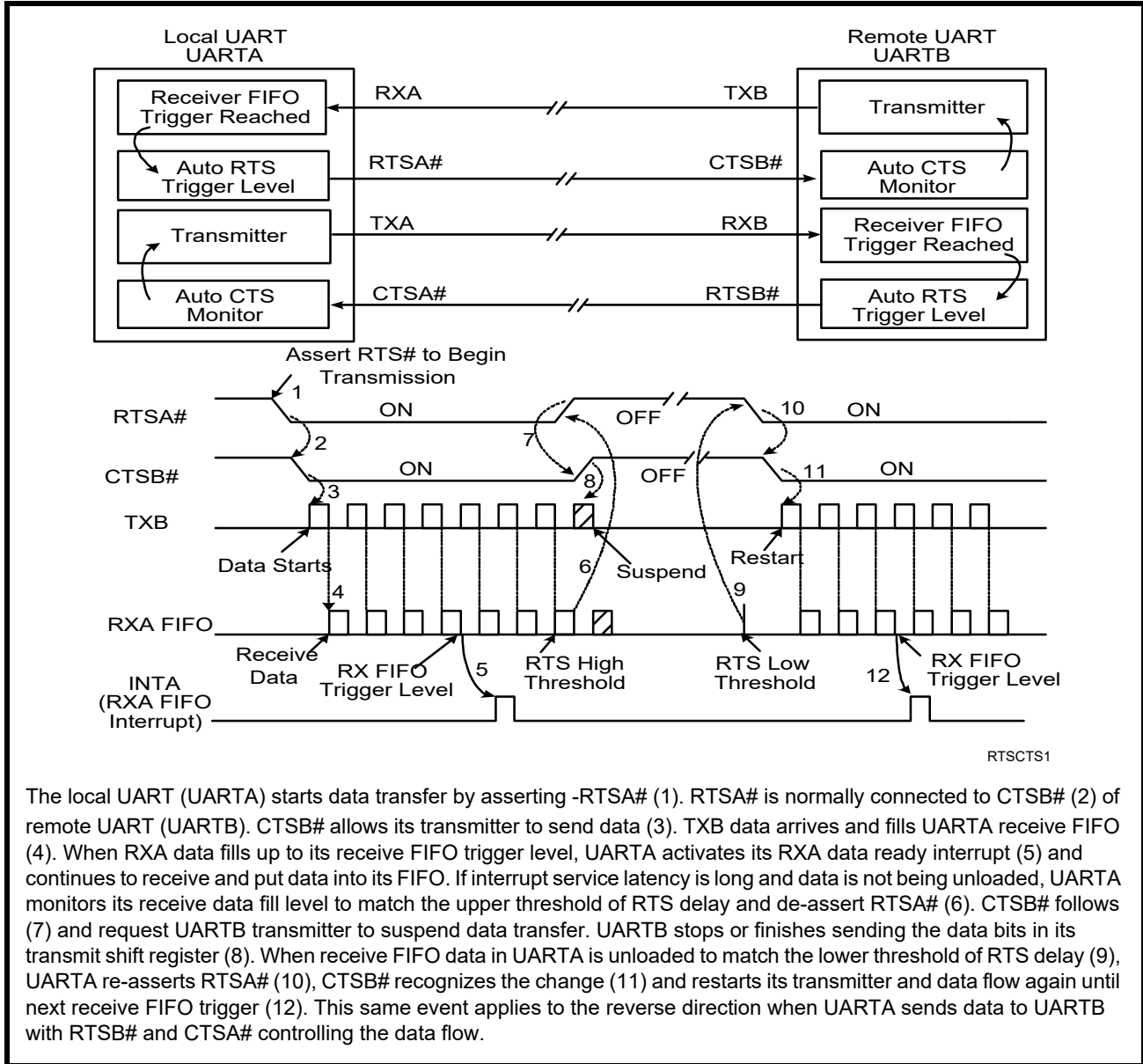
### 3.2 Automatic Hardware (RTS/CTS or DTR/DSR) Flow Control Operation

Automatic hardware or RTS/DTR and CTS/DSR flow control is used to prevent data overrun to the local receiver FIFO and remote receiver FIFO. The RTS#/DTR# output pin is used to request remote unit to suspend/restart data transmission while the CTS#/DSR# input pin is monitored to suspend/restart local transmitter. The auto RTS/DTR and auto CTS/DSR flow control features are individually selected to fit specific application requirement and enabled through EFR bit[7:6] and MCR bit [2] for either RTS/CTS or DTR/DSR control signals. The auto RTS/DTR function must be started by asserting RTS/DTR# output pin (MCR bit [0] or bit [1] to logic 1) after it is enabled. **Figure 11** below explains how it works.

Two interrupts associated with RTS/DTR and CTS/DSR flow control have been added to give indication when RTS/DTR# pin or CTS/DSR# pin is de-asserted during operation. The RTS/DTR and CTS/DSR interrupts must be first enabled by EFR bit [4], and then enabled individually by IER bits [7:6], and chosen with MCR bit [2].

Automatic hardware flow control is selected by setting bits [7 (CTS): 6 (RTS)] of the EFR register to logic 1. If CTS# pin transitions from LOW to HIGH indicating a flow control request, ISR bit [5] will be set to logic 1, (if enabled via IER bit [7:6]), and the UART will suspend TX transmissions as soon as the stop bit of the character in process is shifted out. Transmission is resumed after the CTS# input returns to LOW, indicating more data may be sent.

FIGURE 11. AUTO RTS/DTR AND CTS/DSR FLOW CONTROL OPERATION



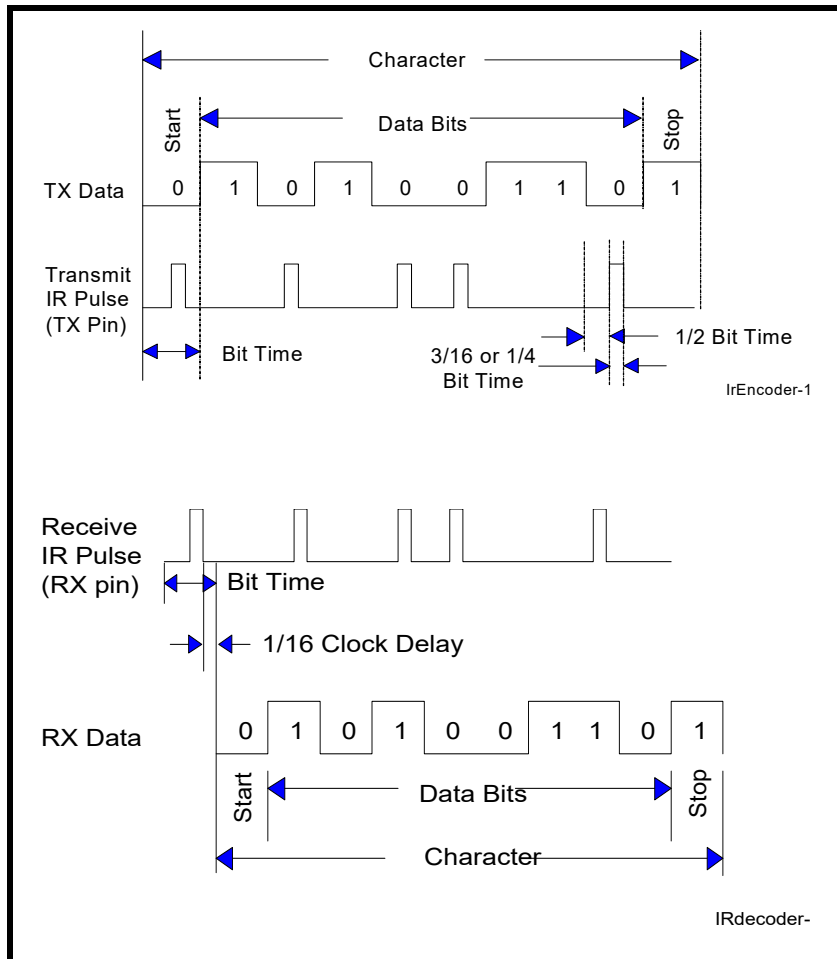
**3.3 Infrared Mode**

Each UART in the XR17V354 includes the infrared encoder and decoder compatible to the IrDA (Infrared Data Association) version 1.1. The input pin ENIR conveniently activates all 4 UART channels to start up in the infrared mode. This global control pin enables the MCR bit [6] function in every UART channel register. After power up or a reset, the software can overwrite MCR bit [6] if so desired. ENIR and MCR bit [6] also disable its receiver while the transmitter is sending data. This prevents the echoed data from going to the receiver. The global activation ENIR pin prevents the infrared emitter from turning on and drawing large amount of current while the system is starting up. When the infrared feature is enabled, the transmit data outputs, TX[3:0], would idle LOW. Likewise, the RX [3:0] inputs assume a LOW idle level.

The infrared encoder sends out a 3/16 of a bit wide pulse for each "0" bit in the transmit data stream. This signal encoding reduces the on-time of the infrared LED, hence reduces the power consumption. See Figure 12 below. Typical max data rate for the infrared encoder with a 3/16 of a bit wide pulse is 115.2 kbps. For data rates above 115.2 kbps and up to 1.152 Mbps, Fast IR mode can be enabled via DLD bit-4 for a 1/4 of bit wide pulse. For exact 3/16 or 1/4 of a bit wide pulse, the 16X sampling rate should be used and DLD[3:0] = '0000'. The IR pulse width can vary if DLD[3:0] is not '0000'.

The infrared decoder receives the input pulse from the infrared sensing diode on RX pin. Each time the decoder senses a light pulse, it returns a "0" to the data bit stream. The RX input signal may be inverted prior delivered to the input of the decoder via internal register setting. This option supports active LOW instead of normal active HIGH pulse from some infrared modules on the market.

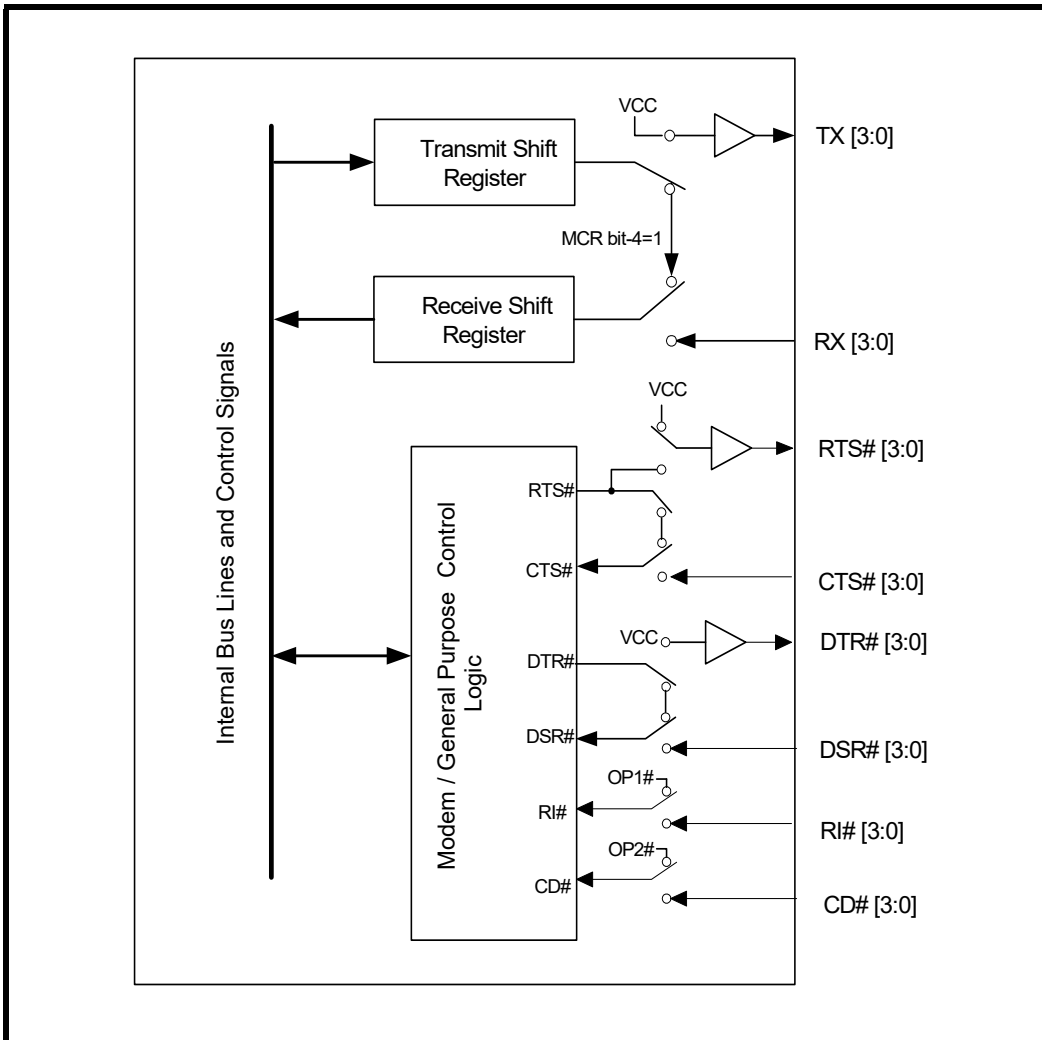
**FIGURE 12. INFRARED TRANSMIT DATA ENCODING AND RECEIVE DATA DECODING**



3.4 Internal Loopback

Each UART channel provides an internal loopback capability for system diagnostic. The internal loopback mode is enabled by setting MCR register bit [4] to a logic 1. All regular UART functions operate normally. Figure 13 shows how the modem port signals are re-configured. Transmit data from the transmit shift register output is internally routed to the receive shift register input allowing the system to receive the same data that it was sending. The TX pin is held at HIGH or mark condition while RTS# and DTR# are de-asserted. The CTS#, DSR#, CD# and RI# inputs are ignored.

FIGURE 13. INTERNAL LOOP BACK





**3.5 UART CHANNEL CONFIGURATION REGISTERS**

Address lines A0 to A3 select the 16 registers in each channel. The first 8 registers are 16550 compatible with EXAR enhanced feature registers located on the upper 8 addresses.

**TABLE 13: UART CHANNEL CONFIGURATION REGISTERS**

| ADDRESS                  | REGISTER   | READ/WRITE              | COMMENTS                |
|--------------------------|--|-------------------------|-------------------------|
| A3 A2 A1 A0              |  |                         |                         |
| <b>16550 COMPATIBLE</b>  |  |                         |                         |
| 0 0 0 0                  | RHR - Receive Holding Register<br>THR - Transmit Holding Register          | Read-only<br>Write-only | LCR[7] = 0              |
| 0 0 0 0                  | DLL - Divisor LSB  | Read/Write              | LCR[7] = 1              |
| 0 0 0 1                  | IER - Interrupt Enable Register  | Read/Write              | LCR[7] = 0              |
| 0 0 0 1                  | DLM - Divisor MSB  | Read/Write              | LCR[7] = 1              |
| 0 0 1 0                  | ISR - Interrupt Status Register<br>FCR - FIFO Control Register             | Read-only<br>Write-only | LCR[7] = 0              |
| 0 0 1 0                  | DLD - Divisor Fractional   | Read/Write              | LCR[7] = 1              |
| 0 0 1 1                  | LCR - Line Control Register  | Read/Write              |                         |
| 0 1 0 0                  | MCR - Modem Control Register   | Read/Write              |                         |
| 0 1 0 1                  | LSR - Line Status Register   | Read-only               |                         |
| 0 1 1 0                  | MSR - Modem Status Register<br>- Auto RS485 Delay                          | Read-only<br>Write-only | EFR bit-4 = 1           |
| 0 1 1 1                  | SPR - Scratch Pad Register   | Read/Write              |                         |
| <b>ENHANCED REGISTER</b> |  |                         |                         |
| 1 0 0 0                  | FCTR - Feature Control Register  | Read/Write              |                         |
| 1 0 0 1                  | EFR - Enhanced Function Register   | Read/Write              |                         |
| 1 0 1 0                  | TXCNT - Transmit FIFO Level Counter<br>TXTRG - Transmit FIFO Trigger Level | Read-only<br>Write-only |                         |
| 1 0 1 1                  | RXCNT - Receive FIFO Level Counter<br>RXTRG - Receive FIFO Trigger Level   | Read-only<br>Write-only |                         |
| 1 1 0 0                  | Xoff-1 - Xoff Character 1<br>Xchar   | Write-only<br>Read-only | Xon,Xoff Rcvd.<br>Flags |
| 1 1 0 1                  | Xoff-2 - Xoff Character 2  | Write-only              |                         |
| 1 1 1 0                  | Xon-1 - Xon Character 1  | Write-only              |                         |
| 1 1 1 1                  | Xon-2 - Xon Character 2  | Write-only              |                         |

TABLE 14: UART CHANNEL CONFIGURATION REGISTERS DESCRIPTION. SHADED BITS ARE ENABLED BY EFR BIT-4.

| ADDRESS<br>A3-A0 | REG<br>NAME | READ/<br>WRITE | BIT [7]                              | BIT [6]                              | BIT [5]                                       | BIT [4]                        | BIT [3]   | BIT [2]                                       | BIT[1]                         | BIT [0]                        | COMMENT   |
|------------------|-------------|----------------|--------------------------------------|--------------------------------------|---|--------------------------------|---|---|--------------------------------|--------------------------------|-----------|
| 0 0 0 0          | RHR         | R              | BIT [7]                              | BIT [6]                              | Bit [5]                                       | Bit [4]                        | Bit [3]   | Bit [2]                                       | Bit [1]                        | Bit [0]                        | LCR[7]=0  |
| 0 0 0 0          | THR         | W              | BIT [7]                              | BIT [6]                              | Bit [5]                                       | Bit [4]                        | Bit [3]   | Bit [2]                                       | Bit [1]                        | Bit [0]                        | LCR[7]=0  |
| 0 0 0 0          | DLL         | R/W            | BIT [7]                              | BIT [6]                              | Bit [5]                                       | Bit [4]                        | Bit [3]   | Bit [2]                                       | Bit [1]                        | Bit [0]                        | LCR[7]=1  |
| 0 0 0 1          | DLM         | R/W            | BIT [7]                              | BIT [6]                              | Bit [5]                                       | Bit [4]                        | Bit [3]   | Bit [2]                                       | Bit [1]                        | Bit [0]                        | LCR[7]=1  |
| 0 0 1 0          | DLD         | R/W            | Invert<br>RS485<br>Polarity          | Multi-<br>drop<br>mode               | XON/<br>XOFF<br>parity<br>check               | Fast IR<br>mode                | Bit [3]   | Bit [2]                                       | Bit [1]                        | Bit [0]                        | LCR[7]=1  |
| 0 0 0 1          | IER         | R/W            | 0/<br>CTS/<br>DSR#<br>Int.<br>Enable | 0/<br>RTS/<br>DTR#<br>Int.<br>Enable | 0/<br>Xon/<br>Xoff/Sp.<br>Char.Int.<br>Enable | 0                              | Modem<br>Status<br>Int.<br>Enable               | RX Line<br>Status<br>Int.<br>Enable           | TX<br>Empty<br>Int.<br>Enable  | RX Data<br>Int.<br>Enable      | LCR[7]=0  |
| 0 0 1 0          | ISR         | R              | FIFOs<br>Enable                      | FIFOs<br>Enable                      | 0/<br>Delta-<br>Flow<br>Cntl                  | 0/<br>Xoff/<br>special<br>char | INT<br>Source<br>Bit [3]                        | INT<br>Source<br>Bit [2]                      | INT<br>Source<br>Bit [1]       | INT<br>Source<br>Bit [0]       | LCR[7]=0  |
| 0 0 1 0          | FCR         | W              | RXFIFO<br>Trigger                    | RXFIFO<br>Trigger                    | 0/<br>TXFIFO<br>Trigger                       | 0/<br>TX FIFO<br>Trigger       | DMA<br>Mode                                     | TX FIFO<br>Reset                              | RX FIFO<br>Reset               | FIFOs<br>Enable                | LCR[7]=0  |
| 0 0 1 1          | LCR         | R/W            | Divisor<br>Enable                    | Set TX<br>Break                      | Set Par-<br>ity                               | Even Par-<br>ity               | Parity<br>Enable                                | Stop Bits                                     | Word<br>Length<br>Bit [1]      | Word<br>Length<br>Bit [0]      |           |
| 0 1 0 0          | MCR         | R/W            | 0/<br>BRG<br>Pres-<br>caler          | 0/<br>IR<br>Enable                   | 0/<br>XonAny                                  | Internal<br>Loopback<br>Enable | (OP2) <sup>1</sup><br>TX char<br>Immedi-<br>ate | (OP1) <sup>1</sup><br>RTS/<br>DTR<br>Flow Sel | RTS#<br>Pin<br>Control         | DTR#<br>Pin<br>Control         |           |
| 0 1 0 1          | LSR         | R              | RXFIFO<br>Error                      | TSR<br>Empty                         | THR<br>Empty                                  | RX Break                       | RX<br>Framing<br>Error                          | RX Par-<br>ity Error                          | RX<br>Overrun                  | RX Data<br>Ready               |           |
| 0 1 1 0          | MSR         | R              | CD                                   | RI                                   | DSR   | CTS                            | Delta<br>CD#                                    | Delta<br>RI#                                  | Delta<br>DSR#                  | Delta<br>CTS#                  |           |
|                  | MSR         | W              | RS485<br>DLY[3]                      | RS485<br>DLY[2]                      | RS485<br>DLY[1]                               | RS485<br>DLY[0]                | Disable<br>TX                                   | Disable<br>RX                                 | Disable<br>TX mode             | Disable<br>RX mode             |           |
| 0 1 1 1          | SPR         | R/W            | Bit [7]                              | Bit [6]                              | Bit [5]                                       | Bit [4]                        | Bit [3]   | Bit [2]                                       | Bit [1]                        | Bit [0]                        | User Data |
| 1 0 0 0          | FCTR        | R/W            | TRG<br>Table<br>Bit [1]              | TRG<br>Table<br>Bit [0]              | Auto<br>RS485<br>Enable                       | Invert IR<br>RX Input          | RTS/<br>DTR<br>Hyst<br>Bit [3]                  | RTS/<br>DTR<br>Hyst<br>Bit [2]                | RTS/<br>DTR<br>Hyst<br>Bit [1] | RTS/<br>DTR<br>Hyst<br>Bit [0] |           |

**TABLE 14: UART CHANNEL CONFIGURATION REGISTERS DESCRIPTION. SHADED BITS ARE ENABLED BY EFR BIT-4.**

| ADDRESS<br>A3-A0 | REG<br>NAME | READ/<br>WRITE | BIT [7]                       | BIT [6]                       | BIT [5]                   | BIT [4]   | BIT [3]                                  | BIT [2]                                  | BIT[1]                                   | BIT [0]                          | COMMENT                  |
|------------------|-------------|----------------|-------------------------------|-------------------------------|---------------------------|---|--|--|--|----------------------------------|--------------------------|
| 1 0 0 1          | EFR         | R/W            | Auto<br>CTS/<br>DSR<br>Enable | Auto<br>RTS/<br>DTR<br>Enable | Special<br>Char<br>Select | Enable<br>IER [7:5],<br>ISR [5:4],<br>FCR[5:4],<br>MCR[7:5],<br>MSR | Soft-<br>ware<br>Flow<br>Cntl<br>Bit [3] | Soft-<br>ware<br>Flow<br>Cntl<br>Bit [2] | Soft-<br>ware<br>Flow<br>Cntl<br>Bit [1] | Software<br>Flow Cntl<br>Bit [0] |                          |
| 1 0 1 0          | TXCNT       | R              | Bit [7]                       | Bit [6]                       | Bit [5]                   | Bit [4]   | Bit [3]                                  | Bit [2]                                  | Bit [1]                                  | Bit [0]                          |                          |
| 1 0 1 0          | TXTRG       | W              | Bit [7]                       | Bit [6]                       | Bit [5]                   | Bit [4]   | Bit [3]                                  | Bit [2]                                  | Bit [1]                                  | Bit [0]                          |                          |
| 1 0 1 1          | RXCNT       | R              | Bit [7]                       | Bit [6]                       | Bit [5]                   | Bit [4]   | Bit [3]                                  | Bit [2]                                  | Bit [1]                                  | Bit [0]                          |                          |
| 1 0 1 1          | RXTRG       | W              | Bit [7]                       | Bit [6]                       | Bit [5]                   | Bit [4]   | Bit [3]                                  | Bit [2]                                  | Bit [1]                                  | Bit [0]                          |                          |
| 1 1 0 0          | XCHAR       | R              | 0                             | 0                             | 0                         | 0   | TX Xon<br>Indicator                      | TX Xoff<br>Indicator                     | Xon Det.<br>Indicator                    | Xoff Det.<br>Indicator           | Self clear<br>after read |
| 1 1 0 0          | XOFF1       | W              | Bit [7]                       | Bit [6]                       | Bit [5]                   | Bit [4]   | Bit [3]                                  | Bit-2                                    | Bit [1]                                  | Bit [0]                          |                          |
| 1 1 0 1          | XOFF2       | W              | Bit [7]                       | Bit [6]                       | Bit [5]                   | Bit [4]   | Bit [3]                                  | Bit-2                                    | Bit [1]                                  | Bit [0]                          |                          |
| 1 1 1 0          | XON1        | W              | Bit [7]                       | Bit [6]                       | Bit [5]                   | Bit [4]   | Bit [3]                                  | Bit-2                                    | Bit [1]                                  | Bit [0]                          |                          |
| 1 1 1 1          | XON2        | W              | Bit [7]                       | Bit [6]                       | Bit [5]                   | Bit [4]   | Bit [3]                                  | Bit-2                                    | Bit [1]                                  | Bit [0]                          |                          |

**NOTE:** MCR bits [3:2] (OP1 and OP2 outputs) are not available in the XR17V354. They are present for 16C550 compatibility during Internal loopback, see [Figure 13](#).

### 3.6 Transmitter

The transmitter section comprises of a 256 bytes of FIFO, a byte-wide Transmit Holding Register (THR) and an 8-bit Transmit Shift Register (TSR). THR receives a data byte from the host (non-FIFO mode) or a data byte from the FIFO when the FIFO is enabled by FCR bit [0]. TSR shifts out every data bit with the 16X or 8X internal clock. A bit time is 16 or 8 clock periods. The transmitter sends the start bit followed by the number of data bits, inserts the proper parity bit if enable, and adds the stop bit(s). The status of the THR and TSR are reported in the Line Status Register (LSR bit [6:5]).

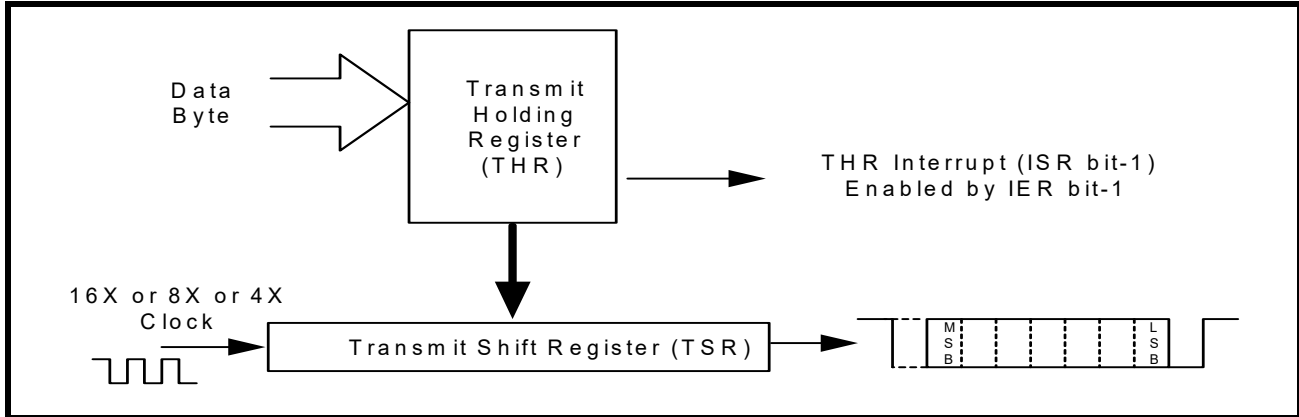
#### 3.6.1 Transmit Holding Register (THR)

The transmit holding register is an 8-bit register providing a data interface to the host processor. The host writes transmit data byte to the THR to be converted into a serial data stream including start-bit, data bits, parity-bit and stop-bit(s). The least-significant-bit (bit [0]) becomes first data bit to go out. The THR is also the input register to the transmit FIFO of 256 bytes when FIFO operation is enabled by FCR bit[0]. A THR empty interrupt can be generated when it is enabled in IER bit [1].

#### 3.6.2 Transmitter Operation in non-FIFO Mode

The host loads transmit data to THR one character at a time. The THR empty flag (LSR bit [5]) is set when the data byte is transferred to TSR. THR flag can generate a transmit empty interrupt (ISR bit [1]) when it is enabled by IER bit [1]. The TSR flag (LSR bit [6]) is set when TSR becomes completely empty.

FIGURE 14. TRANSMITTER OPERATION IN NON-FIFO MODE



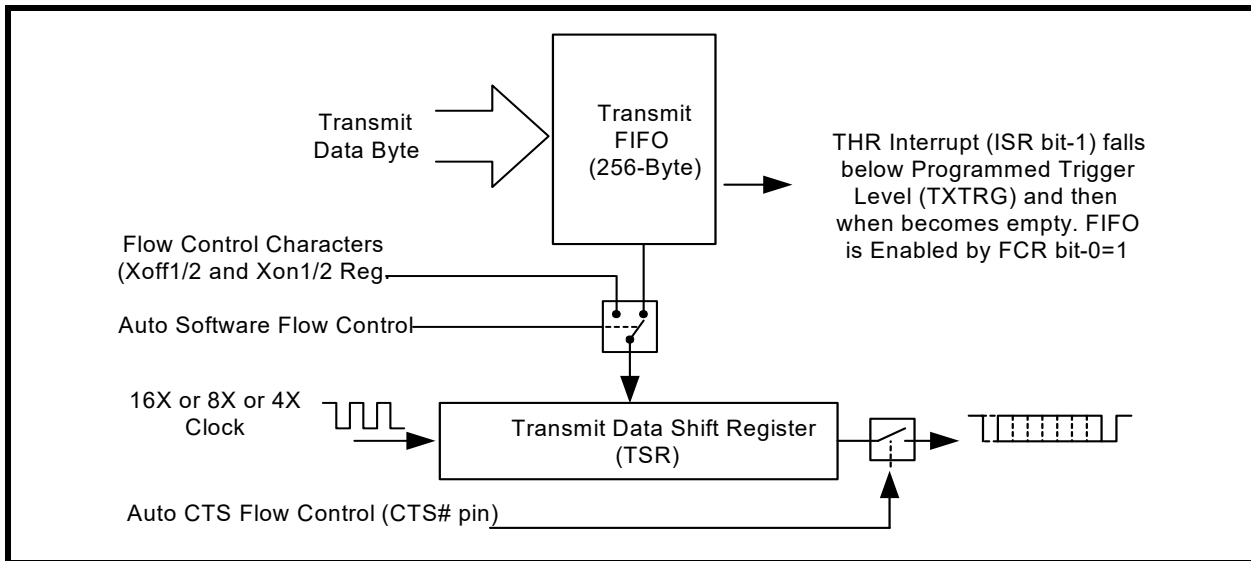
**3.6.3 Transmitter Operation in FIFO Mode**

The host may fill the transmit FIFO with up to 256 bytes of transmit data. The THR empty flag (LSR bit [5]) is set whenever the FIFO is empty. The THR empty flag can generate a transmit empty interrupt (ISR bit [1]) when the amount of data in the FIFO falls below its programmed trigger level (see TXTRG register). The transmit empty interrupt is enabled by IER bit [1]. The TSR flag (LSR bit [6]) is set when TSR becomes completely empty. Furthermore, with the RS485 half-duplex direction control enabled (FCTR bit [5]=1) the source of the transmit empty interrupt changes to TSR empty instead of THR empty. This is to ensure the RTS# output is not changed until the last stop bit of the last character is shifted out.

**3.6.4 Auto RS485 Operation**

The auto RS485 half-duplex direction control changes the behavior of the transmitter when enabled by FCTR bit [5]. It de-asserts RTS# or DTR# after a specified delay indicated in MSR[7:4] following the last stop bit of the last character that has been transmitted. This helps in turning around the transceiver to receive the remote station's response. The delay optimizes the time needed for the last transmission to reach the farthest station on a long cable network before switching off the line driver. This delay prevents undesirable line signal disturbance that causes signal degradation. It also changes the transmitter empty interrupt to TSR empty instead of THR empty.

FIGURE 15. TRANSMITTER OPERATION IN FIFO AND FLOW CONTROL MODE

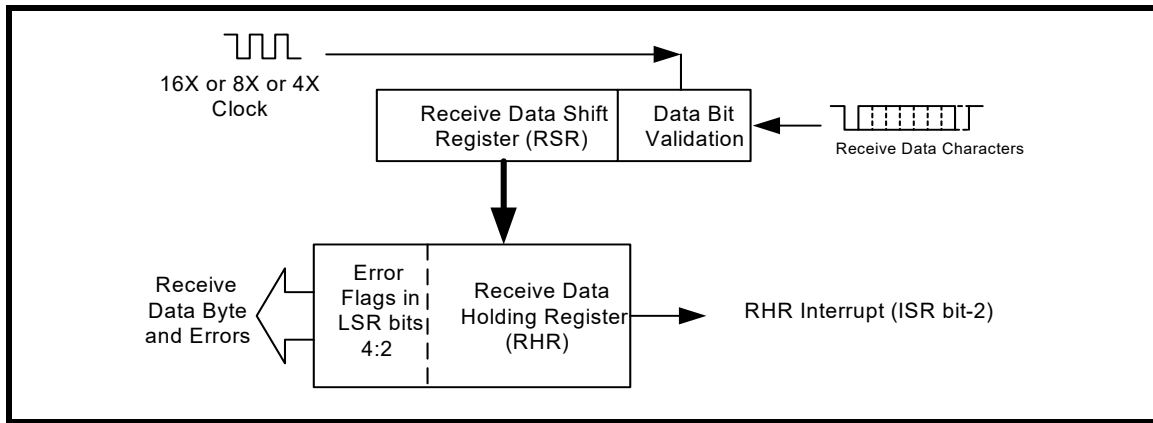


### 3.7 Receiver

The receiver section contains an 8-bit Receive Shift Register (RSR) and Receive Holding Register (RHR). The RSR uses the 16X, 8X or 4X clock for timing. It verifies and validates every bit on the incoming character in the middle of each data bit. On the falling edge of a start or false start bit, an internal receiver counter starts counting at the 16X, 8X or 4X clock rate. After 8 or 4 or 2 clocks the start bit period should be at the center of the start bit. At this time the start bit is sampled and if it is still a logic 0 it is validated. Evaluating the start bit in this manner prevents the receiver from assembling a false character. The rest of the data bits and stop bits are sampled and validated in this same manner to prevent false framing. If there were any error(s), they are reported in the LSR register bits [4:1]. Upon unloading the receive data byte from RHR, the receive FIFO pointer is bumped and the error flags are immediately updated to reflect the status of the data byte in RHR register. RHR can generate a receive data ready interrupt upon receiving a character or delay until it reaches the FIFO trigger level. Furthermore, data delivery to the host is guaranteed by a receive data ready time-out function when receive data does not reach the receive FIFO trigger level. This time-out delay is 4 word lengths as defined by LCR bits [1:0] plus 12 bits time. The RHR interrupt is enabled by IER bit [0].

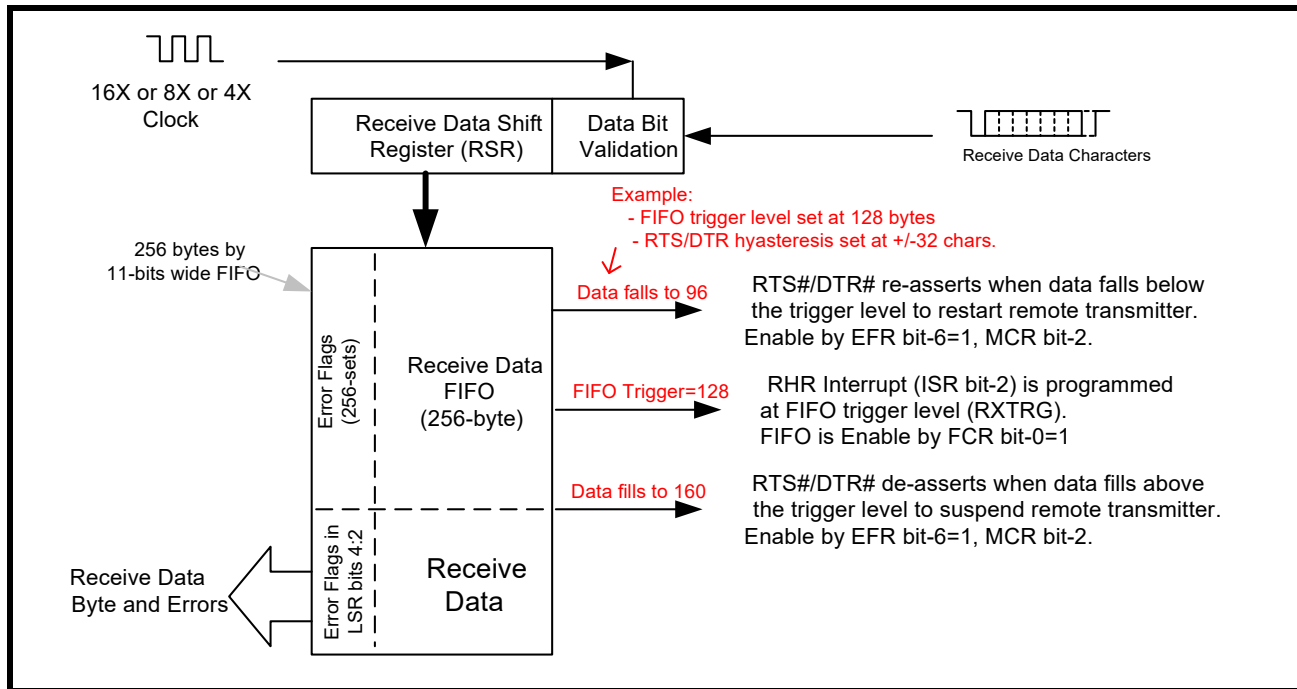
#### 3.7.1 Receiver Operation in non-FIFO Mode

FIGURE 16. RECEIVER OPERATION IN NON-FIFO MODE



### 3.7.2 Receiver Operation with FIFO

FIGURE 17. RECEIVER OPERATION IN FIFO AND FLOW CONTROL MODE



### 3.7.3 Normal Multidrop (9-bit) Mode

Normal multidrop mode is enabled when  $DLD[6] = 1$  and  $EFR[5] = 0$  (Special Character Detect disabled). The receiver is set to Force Parity 0 ( $LCR[5:3] = '111'$ ) in order to detect address bytes.

With the receiver initially disabled ( $MSR[2] = 1$ ), it ignores all the data bytes (parity bit = 0) until an address byte is received (parity bit = 1). This address byte will cause the UART to set the parity error. The UART will generate an LSR interrupt and place the address byte in the RX FIFO. The software then examines the byte and enables the receiver if the address matches its slave address, otherwise, it does not enable the receiver.

If the receiver has been enabled, the receiver will receive the subsequent data. If an address byte is received, it will generate an LSR interrupt. The software again examines the byte and if the address matches its slave address, it does not have to do anything. If the address does not match its slave address, then the receiver should be disabled.

### 3.7.4 Auto Address Detection Mode

Auto address detection mode is enabled when  $DLD[6] = 1$  and  $EFR$  bit-5 = 1 (Special Character Detect enabled). The receiver is set to Force Parity 0 ( $LCR[5:3] = '111'$ ) in order to detect address bytes. The desired slave address will need to be written into the XOFF2 register. The receiver will monitor all incoming address bytes and compare with the programmed character in the XOFF2 register. If the received byte is a data byte or an address byte that does not match the programmed character in the XOFF2 register, the receiver will discard the data. Upon receiving an address byte that matches the XOFF2 character, the receiver will be automatically enabled if not already enabled, and the address character is pushed into the RX FIFO along with the parity bit (in place of the parity error bit). The receiver also generates an LSR interrupt. The receiver will then receive the subsequent data. If another address byte is received and this address does not match the programmed XOFF2 character, then the receiver will automatically be disabled and all subsequent data is ignored until there is another address byte match with XOFF2.

## 4.0 UART CONFIGURATION REGISTERS

### 4.1 Receive Holding Register (RHR) - Read only

SEE "RECEIVER" ON PAGE 45.

### 4.2 Transmit Holding Register (THR) - Write only

SEE "TRANSMITTER" ON PAGE 43.

### 4.3 Baud Rate Generator Divisors (DLM, DLL and DLD)

#### DLM[7:0], DLL[7:0] and DLD[3:0]

The Baud Rate Generator (BRG) generates the data rate for the transmitter and receiver. The rate is programmed through registers DLM, DLL and DLD which are only accessible when LCR bit [7] is set to logic 1. Refer to "Section 3.1, Programmable Baud Rate Generator with Fractional Divisor" on page 33 for more details.

#### DLD[7]: RS-485 Polarity

- Logic 0 = The Auto RS-485 Half-duplex direction control pin will be HIGH for TX and LOW for RX.
- Logic 1 = The Auto RS-485 Half-duplex direction control pin will be LOW for TX and HIGH for RX.

#### DLD[6]: Multi-drop Mode

- Logic 0 = Normal mode.
- Logic 1 = Enable Multi-drop mode.

#### DLD[5]: XON/XOFF Parity Check

- Logic 0 = XON/XOFF characters are valid flow control characters even if they have parity errors.
- Logic 1 = XON/XOFF characters are not valid flow control characters if they have parity errors.

#### DLD[4]: Fast IR Mode

- Logic 0 = If IR mode is enabled, IR pulsewidth will be 3/16th of bit time.
- Logic 1 = If IR mode is enabled, IR pulsewidth will be 1/4th of bit time.

### 4.4 Interrupt Enable Register (IER) - Read/Write

The Interrupt Enable Register (IER) masks the interrupts from receive data ready, transmit empty, line status and modem status registers. These interrupts are reported in the Interrupt Status Register (ISR) and also encoded in INT (INT0-INT3) register in the Device Configuration Registers.

#### 4.4.1 IER versus Receive FIFO Interrupt Mode Operation

When the receive FIFO (FCR bit [0] = logic 1) and receive interrupts (IER bit [0] = logic 1) are enabled, the RHR interrupts (see ISR bits [4:3]) status will reflect the following:

- A. The receive data available interrupts are issued to the host when the FIFO has reached the programmed trigger level. It will be cleared when the FIFO drops below the programmed trigger level.
- B. FIFO level will be reflected in the ISR register when the FIFO trigger level is reached. Both the ISR register status bit and the interrupt will be cleared when the FIFO drops below the trigger level.
- C. The receive data ready bit (LSR bit [0]) is set as soon as a character is transferred from the shift register to the receive FIFO. It is reset when the FIFO is empty.

#### 4.4.2 IER versus Receive/Transmit FIFO Polled Mode Operation

When FCR bit [0] equals a logic 1 for FIFO enable; resetting IER bits [3:0] enables the XR16V354 in the FIFO polled mode of operation. Since the receiver and transmitter have separate bits in the LSR either can be used in the polled mode by selecting respective transmit or receive control bit(s).

- A. LSR BIT-0 indicates there is data in RHR (non-FIFO mode) or RX FIFO (FIFO mode).
- B. LSR BIT-1 indicates an overrun error has occurred and that data in the FIFO may not be valid.
- C. LSR BIT 2-4 provides the type of receive data errors encountered for the data byte in RHR, if any.
- D. LSR BIT-5 indicates THR (non-FIFO mode) or TX FIFO (FIFO mode) is empty.
- E. LSR BIT-6 indicates when both the transmit FIFO and TSR are empty.
- F. LSR BIT-7 indicates a data error in at least one character in the RX FIFO.

##### IER[7]: CTS# Input Interrupt Enable (requires EFR bit [4]=1)

- Logic 0 = Disable the CTS# interrupt (default).
- Logic 1 = Enable the CTS# interrupt. The UART issues an interrupt when CTS# pin makes a transition from LOW to HIGH.

##### IER[6]: RTS# Output Interrupt Enable (requires EFR bit [4]=1)

- Logic 0 = Disable the RTS# interrupt (default).
- Logic 1 = Enable the RTS# interrupt. The UART issues an interrupt when RTS# pin makes a transition from LOW to HIGH.

##### IER[5]: Xoff Interrupt Enable (requires EFR bit [4]=1)

- Logic 0 = Disable the software flow control, receive Xoff interrupt (default).
- Logic 1 = Enable the software flow control, receive Xoff interrupt. See Software Flow Control section for details.

##### IER[4]: Reserved

##### IER[3]: Modem Status Interrupt Enable

The Modem Status Register interrupt is issued whenever any of the delta bits of the MSR register (bits [3:0]) is set.

- Logic 0 = Disable the modem status register interrupt (default).
- Logic 1 = Enable the modem status register interrupt.

##### IER[2]: Receive Line Status Interrupt Enable

An Overrun error, Framing error, Parity error or detection of a Break character will result in an LSR interrupt. The XR17V354 will issue an LSR interrupt immediately after receiving a character with an error. It will again re-issue the interrupt (if the first one has been cleared by reading the LSR register) when the character with the error is on the top of the FIFO, meaning the next one to be read out of the FIFO.

For example, let's consider an incoming data stream of 0x55, 0xAA, etc. and that the character 0xAA has a Parity error associated with it. Let's assume that the character 0x55 has not been read out of the FIFO yet. The XR17V354 will issue an interrupt as soon as the stop bit of the character 0xAA is received. The LSR register will have only the FIFO error bit (bit [7]) set and none of the other error bits (bits [4:1]) will be set, since the byte on the top of the FIFO is 0x55 which does not have any errors associated with it. When this byte has been read out, the XR17V354 will issue another LSR interrupt and this time the LSR register will show the Parity bit (bit [2]) set.

- Logic 0 = Disable the receiver line status interrupt (default).
- Logic 1 = Enable the receiver line status interrupt.



**IER[1]: TX Ready Interrupt Enable**

In non-FIFO mode, a TX interrupt is issued whenever the THR is empty. In the FIFO mode, an interrupt is issued twice: once when the number of bytes in the TX FIFO falls below the programmed trigger level and again when the TX FIFO becomes empty. When autoRS485 mode is enabled (FCTR bit [5] = 1), the second interrupt is delayed until the transmitter (both the TX FIFO and the TX Shift Register) is empty.

- Logic 0 = Disable Transmit Ready Interrupt (default).
- Logic 1 = Enable Transmit Ready Interrupt.

**IER[0]: RX Interrupt Enable**

The receive data ready interrupt will be issued when RHR has a data character in the non-FIFO mode or when the receive FIFO has reached the programmed trigger level in the FIFO mode.

- Logic 0 = Disable the receive data ready interrupt (default).
- Logic 1 = Enable the receiver data ready interrupt.

**4.5 Interrupt Status Register (ISR) - Read Only**

The UART provides multiple levels of prioritized interrupts to minimize external software interaction. The Interrupt Status Register (ISR) provides the user with six interrupt status bits. Performing a read cycle on the ISR will give the user the current highest pending interrupt level to be serviced, others queue up for next service. No other interrupts are acknowledged until the pending interrupt is serviced. The Interrupt Source Table, [Table 15](#), shows the data values (bit [5:0]) for the six prioritized interrupt levels and the interrupt sources associated with each of these interrupt levels.

**4.5.1 Interrupt Generation:**

- LSR is by any of the LSR bits [4:1]. See IER bit [2] description on the previous page.
- RXRDY is by RX trigger level.
- RXRDY Time-out is by a 4-char plus 12 bits delay timer.
- TXRDY is by TX trigger level or TX FIFO empty (or transmitter empty in auto RS-485 control).
- MSR is by any of the MSR bits [3:0].
- Receive Xoff/Xon/Special character is by detection of a Xoff, Xon or Special character.
- CTS#/DSR# is when its transmitter toggles the input pin (from LOW to HIGH) during auto CTS/DSR flow control enabled by EFR bit [7] and selection on MCR bit [2].
- RTS#/DTR# is when its receiver toggles the output pin (from LOW to HIGH) during auto RTS/DTR flow control enabled by EFR bit [6] and selection on MCR bit [2].
- Wake-up indicator is when the UART wakes up from the sleep mode.

**4.5.2 Interrupt Clearing:**

- LSR interrupt is cleared by a read to the LSR register.
  - RXRDY interrupt is cleared by reading data until FIFO falls below the trigger level.
  - RXRDY Time-out interrupt is cleared by reading RHR.
  - TXRDY interrupt is cleared by a read to the ISR register or writing to THR.
  - MSR interrupt is cleared by a read to the MSR register.
  - Xoff/Xon interrupt is cleared by reading ISR.
  - Special character interrupt is cleared by a read to ISR.
  - RTS#/DTR# and CTS#/DSR# status change interrupts are cleared by a read to the MSR register.
  - Wake-up indicator is cleared by a read to the INT0 register.
-

TABLE 15: INTERRUPT SOURCE AND PRIORITY LEVEL

| PRIORITY<br>LEVEL | ISR REGISTER STATUS BITS |         |         |         |         |         | SOURCE OF THE INTERRUPT                        |
|-------------------|--------------------------|---------|---------|---------|---------|---------|--|
|                   | BIT [5]                  | BIT [4] | BIT [3] | BIT [2] | BIT [1] | BIT [0] |  |
| 1                 | 0                        | 0       | 0       | 1       | 1       | 0       | LSR (Receiver Line Status Register)            |
| 2                 | 0                        | 0       | 0       | 1       | 0       | 0       | RXRDY (Received Data Ready)                    |
| 3                 | 0                        | 0       | 1       | 1       | 0       | 0       | RXRDY (Receive Data Time-out)                  |
| 4                 | 0                        | 0       | 0       | 0       | 1       | 0       | TXRDY (Transmitter Holding Register Empty)     |
| 5                 | 0                        | 0       | 0       | 0       | 0       | 0       | MSR (Modem Status Register)                    |
| 6                 | 0                        | 1       | 0       | 0       | 0       | 0       | RXRDY (Received Xon/Xoff or Special character) |
| 7                 | 1                        | 0       | 0       | 0       | 0       | 0       | CTS#/DSR#, RTS#/DTR# change of state           |
| X                 | 0                        | 0       | 0       | 0       | 0       | 1       | None (default)                                 |

**ISR[7:6]: FIFO Enable Status**

These bits are set to a logic 0 when the FIFOs are disabled. They are set to a logic 1 when the FIFOs are enabled.

**ISR[5:1]: Interrupt Status**

These bits indicate the source for a pending interrupt at interrupt priority levels (See [Table 15](#)). See [“Section 4.5.1, Interrupt Generation:”](#) on page 49 and [“Section 4.5.2, Interrupt Clearing:”](#) on page 49 for details.

**ISR[0]: Interrupt Status**

- Logic 0 = An interrupt is pending and the ISR contents may be used as a pointer to the appropriate interrupt service routine.
- Logic 1 = No interrupt pending. (default condition)

**4.6 FIFO Control Register (FCR) - Write Only**

This register is used to enable the FIFOs, clear the FIFOs, set the transmit/receive FIFO trigger levels, and select the DMA mode. The DMA, and FIFO modes are defined as follows:

**FCR[7:6]: Receive FIFO Trigger Select**

(logic 0 = default, RX trigger level =1)

The FCTR bits [5:4] are associated with these 2 bits. These 2 bits are used to set the trigger level for the receive FIFO. The UART will issue a receive interrupt when the number of the characters in the FIFO crosses the trigger level. [Table 16](#) shows the complete selections. Note that the receiver and the transmitter cannot use different trigger tables. Whichever selection is made last applies to both the RX and TX side.

**FCR[5:4]: Transmit FIFO Trigger Select (requires EFR bit [4]=1)**

(logic 0 = default, TX trigger level = 1)

The FCTR bits [7:6] are associated with these 2 bits by selecting one of the four tables. The 4 user selectable trigger levels in 4 tables are supported for compatibility reasons. These 2 bits set the trigger level for the transmit FIFO interrupt. The UART will issue a transmit interrupt when the number of characters in the FIFO falls below the selected trigger level, or when it gets empty in case that the FIFO did not get filled over the trigger level on last re-load. [Table 16](#) below shows the selections.

**FCR[3]: DMA Mode Select**

This bit has no effect since TXRDY and RXRDY pins are not available in this device. It is provided for legacy software compatibility.

- Logic 0 = Set DMA to mode 0 (default).
- Logic 1 = Set DMA to mode 1.

**FCR[2]: TX FIFO Reset**

This bit is only active when FCR bit [0] is active.

- Logic 0= No transmit FIFO reset (default).
- Logic 1 = Reset the transmit FIFO pointers and FIFO level counter logic (the transmit shift register is not cleared or altered). This bit will return to a logic 0 after resetting the FIFO.

**FCR[1]: RX FIFO Reset**

This bit is only active when FCR bit [0] is active.

- Logic 0 = No receive FIFO reset (default).
- Logic 1 = Reset the receive FIFO pointers and FIFO level counter logic (the receive shift register is not cleared or altered). This bit will return to a logic 0 after resetting the FIFO.

**FCR[0]: TX and RX FIFO Enable**

- Logic 0 = Disable the transmit and receive FIFO (default).
- Logic 1 = Enable the transmit and receive FIFOs. This bit must be set to logic 1 when other FCR bits are written or they will not be programmed.

**TABLE 16: TRANSMIT AND RECEIVE FIFO TRIGGER TABLE AND LEVEL SELECTION**

| TRIGGER TABLE | FCTR BIT [7] | FCTR BIT [6] | FCR BIT [7] | FCR BIT [6] | FCR BIT [5] | FCR BIT [4] | RECEIVE TRIGGER LEVEL | TRANSMIT TRIGGER LEVEL | COMPATIBILITY                                    |
|---------------|--------------|--------------|-------------|-------------|-------------|-------------|-----------------------|------------------------|--|
| Table-A       | 0            | 0            | 0           | 0           | 0           | 0           | 1 (default)           | 1 (default)            | 16C550, 16C2550, 16C2552, 16C554, 16C580, 16L580 |
|               |              |              | 0           | 1           |             |             | 4                     |                        |  |
|               |              |              | 1           | 0           |             |             | 8                     |                        |  |
|               |              |              | 1           | 1           |             |             | 14                    |                        |  |
| Table-B       | 0            | 1            |             |             | 0           | 0           |                       | 16                     | 16C650A, 16L651                                  |
|               |              |              |             |             | 0           | 1           | 8                     |                        |  |
|               |              |              |             |             | 1           | 0           | 24                    |                        |  |
|               |              |              |             |             | 1           | 1           | 30                    |                        |  |
|               |              |              | 0           | 0           |             | 8           |                       |                        |  |
|               |              |              | 0           | 1           |             | 16          |                       |                        |  |
|               |              |              | 1           | 0           |             | 24          |                       |                        |  |
|               |              |              | 1           | 1           |             | 28          |                       |                        |  |

TABLE 16: TRANSMIT AND RECEIVE FIFO TRIGGER TABLE AND LEVEL SELECTION

| TRIGGER TABLE | FCTR BIT [7] | FCTR BIT [6] | FCR BIT [7] | FCR BIT [6] | FCR BIT [5] | FCR BIT [4] | RECEIVE TRIGGER LEVEL           | TRANSMIT TRIGGER LEVEL          | COMPATIBILITY                                     |
|---------------|--------------|--------------|-------------|-------------|-------------|-------------|---------------------------------|---------------------------------|---|
| Table-C       | 1            | 0            |             |             | 0           | 0           |                                 | 8                               | 16C654  |
|               |              |              |             |             | 0           | 1           |                                 | 16                              |   |
|               |              |              |             |             | 1           | 0           |                                 | 32                              |   |
|               |              |              |             |             | 1           | 1           |                                 | 56                              |   |
| Table-C       | 1            | 0            | 0           | 0           |             |             | 8                               |                                 | 16C654  |
|               |              |              | 0           | 1           |             |             | 16                              |                                 |   |
|               |              |              | 1           | 0           |             |             | 56                              |                                 |   |
|               |              |              | 1           | 1           |             |             | 60                              |                                 |   |
| Table-D       | 1            | 1            | X           | X           | X           | X           | Programmable via RXTRG register | Programmable via TXTRG register | 16L2752, 16L2750, 16C2852, 16C850, 16C854, 16C864 |

**4.7 Line Control Register (LCR) - Read/Write**

The Line Control Register is used to specify the asynchronous data communication format. The word or character length, the number of stop bits, and the parity are selected by writing the appropriate bits in this register.

**LCR[7]: Baud Rate Divisors Enable**

Baud rate generator divisor (DLL, DLM, DLD) enable.

- Logic 0 = Data registers are selected (default).
- Logic 1 = Divisor latch registers (DLL, DLM and DLD) are selected.

**LCR[6]: Transmit Break Enable**

When enabled the Break control bit causes a break condition to be transmitted (the TX output is forced to a "space", LOW, state). This condition remains until disabled by setting LCR bit [6] to a logic 0.

- Logic 0 = No TX break condition. (default)
- Logic 1 = Forces the transmitter output (TX) to a "space", LOW, for alerting the remote receiver of a line break condition.

**LCR[5]: TX and RX Parity Select**

If the parity bit is enabled, LCR bit [5] selects the forced parity format.

- LCR bit [5] = logic 0, parity is not forced (default).
- LCR bit [5] = logic 1 and LCR bit [4] = logic 0, parity bit is forced to a logical 1 for the transmit and receive data.
- LCR bit [5] = logic 1 and LCR bit [4] = logic 1, parity bit is forced to a logical 0 for the transmit and receive data.

**TABLE 17: PARITY PROGRAMMING**

| LCR BIT [5] | LCR BIT [4] | LCR BIT [3] | PARITY SELECTION            |
|-------------|-------------|-------------|-----------------------------|
| X           | X           | 0           | No parity                   |
| 0           | 0           | 1           | Odd parity                  |
| 0           | 1           | 1           | Even parity                 |
| 1           | 0           | 1           | Force parity to mark, "1"   |
| 1           | 1           | 1           | Forced parity to space, "0" |

**LCR[4]: TX and RX Parity Select**

If the parity bit is enabled with LCR bit [3] set to a logic 1, LCR bit [4] selects the even or odd parity format.

- Logic 0 = ODD Parity is generated by forcing an odd number of logic 1's in the transmitted character. The receiver must be programmed to check the same format (default).
- Logic 1 = EVEN Parity is generated by forcing an even the number of logic 1's in the transmitted character. The receiver must be programmed to check the same format.

**LCR[3]: TX and RX Parity Select**

Parity or no parity can be selected via this bit. The parity bit is a simple way used in communications for data integrity check. See [Table 17](#) above for parity selection summary.

- Logic 0 = No parity.
- Logic 1 = A parity bit is generated during the transmission while the receiver checks for parity error of the data character received.

**LCR[2]: TX and RX Stop-bit Length Select**

The length of stop bit is specified by this bit in conjunction with the programmed word length.

| BIT [2] | WORD LENGTH | STOP BIT LENGTH (BIT TIME(S)) |
|---------|-------------|-------------------------------|
| 0       | 5,6,7,8     | 1 (default)                   |
| 1       | 5           | 1-1/2                         |
| 1       | 6,7,8       | 2                             |

**LCR[1:0]: TX and RX Word Length Select**

These two bits specify the word length to be transmitted or received.

| BIT [1] | BIT [0] | WORD LENGTH |
|---------|---------|-------------|
| 0       | 0       | 5 (default) |
| 0       | 1       | 6           |
| 1       | 0       | 7           |
| 1       | 1       | 8           |

#### 4.8 Modem Control Register (MCR) - Read/Write

The MCR register is used for controlling the modem interface signals or general purpose inputs/outputs.

##### MCR[7]: Clock Prescaler Select (requires EFR bit [4]=1)

- Logic 0 = Divide by one. The internal 125 MHz clock (master) or 62.5 MHz clock (slave) is fed directly to the Programmable Baud Rate Generator without further modification, i.e., divide by one (default).
- Logic 1 = Divide by four. The prescaler divides the internal 125 MHz clock (master) or 62.5 MHz clock (slave) by 4 and feeds it to the Programmable Baud Rate Generator, hence, data rates become one fourth.

##### MCR[6]: Infrared Encoder/Decoder Enable (requires EFR bit [4]=1)

The state of this bit depends on the sampled logic level of pin ENIR during power up, following a hardware reset (rising edge of RST# input). Afterward user can override this bit for desired operation.

- Logic 0 = Enable the standard modem receive and transmit character interface.
- Logic 1 = Enable infrared IrDA receive and transmit inputs/outputs. While in this mode, the TX/RX output/input are routed to the infrared encoder/decoder. The data input and output levels will conform to the IrDA infrared interface requirement. As such, while in this mode the infrared TX output will be a LOW during idle data conditions. FCTR bit [4] may be selected to invert the RX input signal level going to the decoder for infrared modules that provide rather an inverted output. For exact 3/16 or 1/4 bit wide pulse, the 16X sampling rate must be used and DLD[3:0] = '0000'. If DLD[3:0] is not '0000', the pulse width can vary.

##### MCR[5]: Xon-Any Enable (requires EFR bit [4]=1)

- Logic 0 = Disable Xon-Any function (default).
- Logic 1 = Enable Xon-Any function. In this mode any RX character received will enable Xon, resume data transmission.

##### MCR[4]: Internal Loopback Enable

- Logic 0 = Disable loopback mode (default).
- Logic 1 = Enable local loopback mode, see loopback section and [Figure 13](#).

##### MCR[3]: Send Char Immediate (OP2 in Local Loopback Mode)

This bit is used to transmit a character immediately irrespective of the bytes currently in the transmit FIFO. The data byte must be loaded into the transmit holding register (THR) immediately following the write to this bit (to set it to a '1'). In other words, no other register must be accessed between setting this bit and writing to the THR. The loaded byte will be transmitted ahead of all the bytes in the TX FIFO, immediately after the character currently being shifted out of the transmit shift register is sent out. The existing line parameters (parity, stop bits) will be used when composing the character. This bit is self clearing, therefore, must be set before sending a custom character each time. Please note that the Transmitter must be enabled for this function (MSR[3] = 0). Also, if software flow control is enabled, the software flow control characters (Xon, Xoff) have higher priority and will get shifted out before the custom byte is transmitted.

- Logic 0 = Send Char Immediate disabled (default).
- Logic 1 = Send Char Immediate enabled.

In Local Loopback Mode (MCR[4] = 1), this bit acts as the legacy OP2 output and controls the CD bit in the MSR register as shown in [Figure 13](#). Please make sure that this bit is a '0' when exiting the Local Loopback Mode.

**MCR[2]: DTR# or RTS# for Auto Flow Control (OP1 in Local Loopback Mode)**

DTR# or RTS# auto hardware flow control select. This bit is in effect only when auto RTS/DTR is enabled by EFR bit [6]. DTR# selection is associated with DSR# and RTS# is with CTS#.

- Logic 0 = Uses RTS# and CTS# pins for auto hardware flow control.
- Logic 1 = Uses DTR# and DSR# pins for auto hardware flow control.

In Local Loopback mode (MCR[4] = 1), this bit acts as the legacy OP1 output and controls the RI bit in the MSR register, as shown in [Figure 13](#).

**MCR[1]: RTS# Output**

The RTS# pin may be used for automatic hardware flow control by enabled by EFR bit [6] and MCR bit [2]=0. If the modem interface is not used, this output may be used for general purpose.

- Logic 0 = Force RTS# output to a HIGH (default).
- Logic 1 = Force RTS# output to LOW.

**MCR[0]: DTR# Output**

The DTR# pin may be used for automatic hardware flow control enabled by EFR bit [6] and MCR bit [2]=1. If the modem interface is not used, this output may be used for general purpose.

- Logic 0 = Force DTR# output to a HIGH (default).
- Logic 1 = Force DTR# output to a LOW.

**4.9 Line Status Register (LSR) - Read Only**

This register provides the status of data transfers between the UART and the host. If IER bit [2] is set to a logic 1, an LSR interrupt will be generated immediately when any character in the RX FIFO has an error (parity, framing, overrun, break).

**LSR[7]: Receive FIFO Data Error Flag**

- Logic 0 = No FIFO error (default).
- Logic 1 = An indicator for the sum of all error bits in the RX FIFO. At least one parity error, framing error or break indication is in the FIFO data. This bit clears when there are no more errors in the FIFO.

**LSR[6]: Transmitter Empty Flag**

This bit is the Transmitter Empty indicator. This bit is set to a logic 1 whenever both the transmit FIFO (or THR, in non-FIFO mode) and the transmit shift register (TSR) are both empty. It is set to logic 0 whenever either the TX FIFO or TSR contains a data character.

**LSR[5]: Transmit FIFO Empty Flag**

This bit is the Transmit FIFO Empty indicator. This bit indicates that the transmitter is ready to accept a new character for transmission. This bit is set to a logic HIGH when the last data byte is transferred from the transmit FIFO to the transmit shift register. The bit is reset to logic 0 as soon as a data byte is loaded into the transmit FIFO. In the non-FIFO mode this bit is set when the transmit holding register (THR) is empty; it is cleared when a byte is written to the THR.

**LSR[4]: Receive Break Flag**

- Logic 0 = No break condition (default).
- Logic 1 = The receiver received a break signal (RX was LOW for one character frame time). In the FIFO mode, only one break character is loaded into the FIFO. The break indication remains until the RX input returns to the idle condition, "mark" or HIGH.

**LSR[3]: Receive Data Framing Error Flag**

- Logic 0 = No framing error (default).
- Logic 1 = Framing error. The receive character did not have a valid stop bit(s). This error is associated with the character available for reading in RHR.

**LSR[2]: Receive Data Parity Error Flag**

- Logic 0 = No parity error (default).
- Logic 1 = Parity error. The receive character in RHR (top of the FIFO) does not have correct parity information and is suspect. This error is associated with the character available for reading in RHR.

**LSR[1]: Receiver Overrun Flag**

- Logic 0 = No overrun error (default).
- Logic 1 = Overrun error. A data overrun error condition occurred in the receive shift register. This happens when additional data arrives while the FIFO is full. In this case the previous data in the receive shift register is overwritten. Note that under this condition the data byte in the receive shift register is not transferred into the FIFO, therefore the data in the FIFO is not corrupted by the error.

**LSR[0]: Receive Data Ready Indicator**

- Logic 0 = No data in receive holding register or FIFO (default).
- Logic 1 = Data has been received and is saved in the receive holding register or FIFO.

**4.10 Modem Status Register (MSR) - Read Only**

This register provides the current state of the modem interface signals, or other peripheral device that the UART is connected. Lower four bits of this register are used to indicate the changed information. These bits are set to a logic 1 whenever a signal from the modem changes state. These bits may be used as general purpose inputs/outputs when they are not used with modem signals.

**MSR[7]: CD Input Status**

Normally this bit is the complement of the CD# input. In the loopback mode this bit is equivalent to bit [3] in the MCR register. The CD# input may be used as a general purpose input when the modem interface is not used.

**MSR[6]: RI Input Status**

Normally this bit is the complement of the RI# input. In the loopback mode this bit is equivalent to bit [2] in the MCR register. The RI# input may be used as a general purpose input when the modem interface is not used.

**MSR[5]: DSR Input Status**

DSR# pin may function as automatic hardware flow control signal input if it is enabled and selected by Auto CTS/DSR bit (EFR bit [6]=1) and RTS/DTR flow control select bit (MCR bit [2]=1). Auto CTS/DSR flow control allows starting and stopping of local data transmissions based on the modem DSR# signal. A HIGH on the DSR# pin will stop UART transmitter as soon as the current character has finished transmission, and a LOW will resume data transmission. Normally MSR bit [5] is the complement of the DSR# input. However in the loopback mode, this bit is equivalent to the DTR# bit in the MCR register. The DSR# input may be used as a general purpose input when the modem interface is not used.

**MSR[4]: CTS Input Status**

CTS# pin may function as automatic hardware flow control signal input if it is enabled and selected by Auto CTS/DSR bit (EFR bit [6]=1) and RTS/DTR flow control select bit (MCR bit [2]=0). Auto CTS/DSR flow control allows starting and stopping of local data transmissions based on the modem CTS# signal. A HIGH on the CTS# pin will stop UART transmitter as soon as the current character has finished transmission, and a LOW will resume data transmission. Normally MSR bit [4] is the complement of the CTS# input. However in the loopback mode, this bit is equivalent to the RTS# bit in the MCR register. The CTS# input may be used as a general purpose input when the modem interface is not used.



**MSR[3]: Delta CD# Input Flag**

- Logic 0 = No change on CD# input (default).
- Logic 1 = Indicates that the CD# input has changed state since the last time it was monitored. A modem status interrupt will be generated if MSR interrupt is enabled (IER bit [3]).

**MSR[2]: Delta RI# Input Flag**

- Logic 0 = No change on RI# input (default).
- Logic 1 = The RI# input has changed from a LOW to a HIGH, ending of the ringing signal. A modem status interrupt will be generated if MSR interrupt is enabled (IER bit [3]).

**MSR[1]: Delta DSR# Input Flag**

- Logic 0 = No change on DSR# input (default).
- Logic 1 = The DSR# input has changed state since the last time it was monitored. A modem status interrupt will be generated if MSR interrupt is enabled (IER bit [3]).

**MSR[0]: Delta CTS# Input Flag**

- Logic 0 = No change on CTS# input (default).
- Logic 1 = The CTS# input has changed state since the last time it was monitored. A modem status interrupt will be generated if MSR interrupt is enabled (IER bit [3]).

**4.11 Modem Status Register (MSR) - Write Only**

The upper four bits [7:4] of this register set the delay in number of bits time for the auto RS-485 turn around from transmit to receive.

**MSR [7:4]: Auto RS485 Turn-Around Delay (requires EFR bit [4]=1)**

When Auto RS485 feature is enabled (FCTR bit [5]=1) and RTS#/DTR# output is connected to the enable input of a RS-485 transceiver. These 4 bits select from 0 to 15 bit-time delay after the end of the last stop-bit of the last transmitted character. This delay controls when to change the state of RTS#/DTR# output. This delay is very useful in long-cable networks. [Table 18](#) shows the selection. The bits are enabled by EFR bit-4.

TABLE 18: AUTO RS485 HALF-DUPLEX DIRECTION CONTROL DELAY FROM TRANSMIT-TO-RECEIVE

| MSR[7] | MSR[6] | MSR[5] | MSR[4] | DELAY IN DATA BIT(S) TIME |
|--------|--------|--------|--------|---------------------------|
| 0      | 0      | 0      | 0      | 0                         |
| 0      | 0      | 0      | 1      | 1                         |
| 0      | 0      | 1      | 0      | 2                         |
| 0      | 0      | 1      | 1      | 3                         |
| 0      | 1      | 0      | 0      | 4                         |
| 9      | 1      | 0      | 1      | 5                         |
| 0      | 1      | 1      | 0      | 6                         |
| 0      | 1      | 1      | 1      | 7                         |
| 1      | 0      | 0      | 0      | 8                         |
| 1      | 0      | 0      | 1      | 9                         |
| 1      | 0      | 1      | 0      | 10                        |
| 1      | 0      | 1      | 1      | 11                        |
| 1      | 1      | 0      | 0      | 12                        |
| 1      | 1      | 0      | 1      | 13                        |
| 1      | 1      | 1      | 0      | 14                        |
| 1      | 1      | 1      | 1      | 15                        |

**MSR [3]: Transmitter Disable**

This bit can be used to disable the transmitter by halting the Transmit Shift Register (TSR). When this bit is set to a logic 1, the bytes already in the FIFO will not be sent out. Also, any more data loaded into the FIFO will stay in the FIFO and will not be sent out. When this bit is set to a logic 0, the bytes currently in the TX FIFO will be sent out. Please note that setting this bit to a logic 1 stops any character from going out. Also, this bit must be a logic 0 for the Send Char Immediate function (see MCR[3]).

- Logic 0 = Enable Transmitter (default).
- Logic 1 = Disable Transmitter.

**MSR [2]: Receiver Disable**

This bit can be used to disable the receiver by halting the Receive Shift Register (RSR). When this bit is set to a logic 1, the receiver will operate in one of the following ways:

- If a character is being received at the time of setting this bit, that character will be correctly received. No more characters will be received.
- If the receiver is idle at the time of setting this bit, no more characters will be received.

The receiver can be enabled and will start receiving characters by resetting this bit to a logic 0. The receiver will operate in one of the following ways:

- If the receiver is idle (RX pin is HIGH) at the time of setting this bit, the next character will be received normally. It is recommended that the receiver be idle when resetting this bit to a logic 0.
- If the receiver is not idle (RX pin is toggling) at the time of setting this bit, the RX FIFO will be filled with unknown data.

Any data that is in the RX FIFO can be read out at any time whether the receiver is disabled or not.

- Logic 0 = Enable Receiver (default).
- Logic 1 = Disable Receiver.

**MSR [1]: Transmitter Disable Modes**

This bit is only applicable when MSR[3] = 1.

- Logic 0 = No xon/xoff software flow control characters will be transmitted when the transmitter is disabled. If there is a pending xon/xoff character to be sent while the transmitter is disabled, it will be transmitted. No additional xon/xoff characters will be sent.
- Logic 1 = Xon/xoff software flow control characters will be transmitted even though the transmitter is disabled.

**MSR[0]: Receiver Disable Modes**

This is only applicable when MSR[2] = 1.

- Logic 0 = All RX data and xon/xoff flow control characters are ignored.
- Logic 1 = All RX data is ignored. Xon/xoff flow control characters are detected and acted upon.

**4.12 SCRATCH PAD REGISTER (SPR) - Read/Write**

This is a 8-bit general purpose register for the user to store temporary data. The content of this register is preserved during sleep mode but becomes 0xFF (default) after a reset or a power off-on cycle.

**4.13 FEATURE CONTROL REGISTER (FCTR) - Read/Write**

This register controls the UART enhanced functions that are not available on ST16C554 or ST16C654.

**FCTR[7:6]: TX and RX FIFO Trigger Table Select**

These 2 bits select the transmit and receive FIFO trigger level table A, B, C or D. When table A, B, or C is selected the auto RTS flow control trigger level is set to "next FIFO trigger level" for compatibility to ST16C550 and ST16C650 series. RTS/DTR# triggers on the next level of the RX FIFO trigger level, in another word, one FIFO level above and one FIFO level below. See in [Table 16](#) for complete selection with FCR bit [5:4] and FCTR bits [7:6], i.e. if Table C is used on the receiver with RX FIFO trigger level set to 56 bytes, RTS/DTR# output will de-assert at 60 and re-assert at 16.

**FCTR[5]: Auto RS485 Enable**

Auto RS485 half duplex control enable/disable. RTS# or DTR# can be selected as the control output via MCR bit-2. Note that this feature has precedence over the Auto RTS/DTR flow control feature (EFR bit-6). Therefore, the Auto RTS/DTR flow control feature will not have any effect when the Auto RS485 Half-Duplex Direction Control feature is enabled.

- Logic 0 = Standard ST16C550 mode. Transmitter generates an interrupt when transmit holding register (THR) becomes empty. Transmit Shift Register (TSR) may still be shifting data bit out.
- Logic 1 = Enable Auto RS485 half duplex direction control. RTS#/DTR# output changes from HIGH to LOW when finished sending the last stop bit of the last character out of the TSR register. It changes from LOW to HIGH when a data byte is loaded into the THR or transmit FIFO. The change to HIGH occurs prior sending the start-bit. It also changes the transmitter interrupt from transmit holding to transmit shift register (TSR) empty. If software flow control is enabled, the RTS#/DTR# output will not change if the TX FIFO is empty and the RX FIFO level generates an XON or XOFF character to be transmitted.

**FCTR[4]: Infrared RX Input Logic Select**

- Logic 0 = Select RX input as active HIGH encoded IrDA data, normal, (default).
- Logic 1 = Select RX input as active LOW encoded IrDA data, inverted.

**FCTR [3:0] - Auto RTS/DTR Flow Control Hysteresis Select**

These bits select the auto RTS/DTR flow control hysteresis and only valid when TX and RX Trigger Table-D is selected (FCTR bit [7:6] are set to logic 1). The RTS/DTR hysteresis is referenced to the RX FIFO trigger level. After reset, these bits are set to logic 0 selecting the next FIFO trigger level for hardware flow control. [Table 19](#) below shows the 16 selectable hysteresis levels.

**TABLE 19: 16 SELECTABLE HYSTERESIS LEVELS WHEN TRIGGER TABLE-D IS SELECTED**

| FCTR BIT [3] | FCTR BIT [2] | FCTR BIT [1] | FCTR BIT [0] | RTS/DTR HYSTERESIS (CHARACTERS) |
|--------------|--------------|--------------|--------------|---------------------------------|
| 0            | 0            | 0            | 0            | 0                               |
| 0            | 0            | 0            | 1            | ± 4                             |
| 0            | 0            | 1            | 0            | ± 6                             |
| 0            | 0            | 1            | 1            | ± 8                             |
| 0            | 1            | 0            | 0            | ± 8                             |
| 0            | 1            | 0            | 1            | ± 16                            |
| 0            | 1            | 1            | 0            | ± 24                            |
| 0            | 1            | 1            | 1            | ± 32                            |
| 1            | 1            | 0            | 0            | ± 12                            |
| 1            | 1            | 0            | 1            | ± 20                            |
| 1            | 1            | 1            | 0            | ± 28                            |
| 1            | 1            | 1            | 1            | ± 36                            |
| 1            | 0            | 0            | 0            | ± 40                            |
| 1            | 0            | 0            | 1            | ± 44                            |
| 1            | 0            | 1            | 0            | ± 48                            |
| 1            | 0            | 1            | 1            | ± 52                            |

#### 4.14 Enhanced Feature Register (EFR) - Read/Write

Enhanced features are enabled or disabled using this register. Bits [3:0] provide single or dual consecutive character software flow control selection (see Table 20). When the Xon1 and Xon2 and Xoff1 and Xoff2 modes are selected, the double 8-bit words are concatenated into two sequential characters. Caution: note that whenever changing the TX or RX flow control bits, always reset all bits back to logic 0 (disable) before programming a new setting.

##### **EFR[7]: Auto CTS Flow Control Enable**

Automatic CTS or DSR Flow Control.

- Logic 0 = Automatic CTS/DSR flow control is disabled (default).
- Logic 1 = Enable Automatic CTS/DSR flow control. Transmission stops when CTS/DSR# pin de-asserts (HIGH). Transmission resumes when CTS/DSR# pin is asserted (LOW). The selection for CTS# or DSR# is through MCR bit [2].

##### **EFR[6]: Auto RTS or DTR Flow Control Enable**

RTS#/DTR# output may be used for hardware flow control by setting EFR bit [6] to logic 1. When Auto RTS/DTR is selected, an interrupt will be generated when the receive FIFO is filled to the programmed trigger level and RTS/DTR# will de-assert (HIGH) at the next upper trigger or selected hysteresis level. RTS/DTR# will re-assert (LOW) when FIFO data falls below the next lower trigger or selected hysteresis level (see FCTR bits 4-7). The RTS# or DTR# output must be asserted (LOW) before the auto RTS/DTR can take effect. The selection for RTS# or DTR# is through MCR bit [2]. RTS/DTR# pin will function as a general purpose output when hardware flow control is disabled.

- Logic 0 = Automatic RTS/DTR flow control is disabled (default).
- Logic 1 = Enable Automatic RTS/DTR flow control.

##### **EFR[5]: Special Character Detect Enable**

- Logic 0 = Special Character Detect Disabled (default).
- Logic 1 = Special Character Detect Enabled. The UART compares each incoming receive character with data in Xoff-2 register. If a match exists, the received data will be transferred to FIFO and ISR bit [4] will be set to indicate detection of the special character. bit [0] corresponds with the LSB bit for the receive character. If flow control is set for comparing Xon1, Xoff1 (EFR [1:0]=10) then flow control and special character work normally. However, if flow control is set for comparing Xon2, Xoff2 (EFR[1:0]=01) then flow control works normally, but Xoff2 will not go to the FIFO, and will generate an Xoff interrupt and a special character interrupt.

##### **EFR[4]: Enhanced Function Bits Enable**

Enhanced function control bit. This bit enables the enhanced functions in IER bits [7:5], ISR bits [5:4], FCR bits [5:4], MCR bits [7:5] and MSR [7:0] bits to be modified. After modifying any enhanced bits, EFR bit [4] can be set to a logic 0 to latch the new values. This feature prevents legacy software from altering or overwriting the enhanced functions once set. Normally, it is recommended to leave it enabled.

- Logic 0 = Disable write access to the enhanced function bits: IER bits [7:5], ISR bits [5:4], FCR bits [5:4], MCR bits [7:5] and MSR [7:0] bits. After a reset, all these bits are set to a logic 0 to be compatible with ST16C550 mode (default).
- Logic 1 = Enables write access to the enhanced function bits: IER bits [7:5], ISR bits [5:4], FCR bits [5:4], MCR bits [7:5] and MSR [7:0] bits.

**EFR[3:0]: Software Flow Control Select**

Combinations of software flow control can be selected by programming these bits, as shown in [Table 20](#).

**TABLE 20: SOFTWARE FLOW CONTROL FUNCTIONS**

| EFR BIT [3] | EFR BIT [2] | EFR BIT [1] | EFR BIT [0] | TRANSMIT AND RECEIVE SOFTWARE FLOW CONTROL  |
|-------------|-------------|-------------|-------------|---|
| 0           | 0           | 0           | 0           | No TX and RX flow control (default and reset)   |
| 0           | 0           | X           | X           | No transmit flow control  |
| 1           | 0           | X           | X           | Transmit Xon1, Xoff1  |
| 0           | 1           | X           | X           | Transmit Xon2, Xoff2  |
| 1           | 1           | X           | X           | Transmit Xon1 and Xon2, Xoff1 and Xoff2   |
| X           | X           | 0           | 0           | No receive flow control   |
| X           | X           | 1           | 0           | Receiver compares Xon1, Xoff1   |
| X           | X           | 0           | 1           | Receiver compares Xon2, Xoff2   |
| 1           | 0           | 1           | 1           | Transmit Xon1, Xoff1<br>Receiver compares Xon1 or Xon2, Xoff1 or Xoff2                      |
| 0           | 1           | 1           | 1           | Transmit Xon2, Xoff2<br>Receiver compares Xon1 or Xon2, Xoff1 or Xoff2                      |
| 1           | 1           | 1           | 1           | Transmit Xon1 and Xon2, Xoff1 and Xoff2<br>Receiver compares Xon1 and Xon2, Xoff1 and Xoff2 |
| 0           | 0           | 1           | 1           | No transmit flow control<br>Receiver compares Xon1 and Xon2, Xoff1 and Xoff2                |

Software flow control can not be used when the Auto RS-485 Half-Duplex Direction Control feature is enabled (FCTR[5]=1). With this feature enabled, the RTS#/DTR# output controls the direction of the half-duplex RS-485 transceiver. The RTS#/DTR# output changes the direction of the half-duplex transceiver to the transmit mode when data is being transmitted from the UART on the TX output. However, the RTS#/DTR# output will remain in the receive direction if the TX FIFO is empty and the RX FIFO triggers an XON or XOFF character to be transmitted.

**4.15 TXCNT[7:0]: Transmit FIFO Level Counter - Read Only**

Transmit FIFO level byte count from 0x00 (0 bytes) to 0xFF (255 or 256 bytes). This 8-bit register gives an indication of the number of characters in the transmit FIFO. The FIFO level Byte count register is read only. The user can take advantage of the FIFO level byte counter for faster data loading to the transmit FIFO, which reduces CPU bandwidth requirements.

**4.16 TXTRG [7:0]: Transmit FIFO Trigger Level - Write Only**

An 8-bit value written to this register sets the TX FIFO trigger level from 0x01 (one) to 0xFF (255). A value of 0x00 is invalid. The TX FIFO trigger level generates an interrupt whenever the data level in the transmit FIFO falls below this preset trigger level.

**4.17 RXCNT[7:0]: Receive FIFO Level Counter - Read Only**

Receive FIFO level byte count from 0x00 (zero) to 0xFF (255). It gives an indication of the number of characters in the receive FIFO. The FIFO level byte count register is read only. The user can take advantage of the FIFO level byte counter for faster data unloading from the receiver FIFO, which reduces CPU bandwidth requirements.

**4.18 RXTRG[7:0]: Receive FIFO Trigger Level - Write Only**

An 8-bit value written to this register, sets the RX FIFO trigger level from 0x01 (one) to 0xFF (255). A value of 0x00 is invalid. The RX FIFO trigger level generates an interrupt whenever the receive FIFO level rises to this preset trigger level.

**4.19 XOFF1, XOFF2, XON1 AND XON2 REGISTERS - Write Only**

These registers are used to program the Xoff1, Xoff2, Xon1 and Xon2 control characters respectively.

**4.20 XCHAR REGISTER - Read Only**

This register gives the status of the last sent control character (Xon or Xoff) and the last received control character (Xon or Xoff). This register will be reset to 0x00 if, at anytime, the Software Flow Control is disabled.

**XCHAR [7:4]: Reserved****XCHAR [3]: Transmit Xon Indicator**

If the last transmitted control character was a Xon character or characters (Xon1, Xon2), this bit will be set to a logic 1. This bit will clear after the read.

**XCHAR [2]: Transmit Xoff Indicator**

If the last transmitted control character was a Xoff character or characters (Xoff1, Xoff2), this bit will be set to a logic 1. This bit will clear after the read.

**XCHAR [1]: Xon Detect Indicator**

If the last received control character was a Xon character, Xon characters (Xon1, Xon2) or an Xon-Any character, this bit will be set to a logic 1. This bit will clear after the read.

**XCHAR [0]: Xoff Detect Indicator**

If the last received control character was a Xoff character or characters (Xoff1, Xoff2), this bit will be set to a logic 1. This bit will clear after the read.

**TABLE 21: UART RESET CONDITIONS**

| REGISTERS | RESET STATE   |
|-----------|---|
| DLL       | Bits [7:0] = 0x01   |
| DLM       | Bits [7:0] = 0x00   |
| DLD       | Bits [7:0] = 0x00   |
| RHR       | Bits [7:0] = 0xXX   |
| THR       | Bits [7:0] = 0xXX   |
| IER       | Bits [7:0] = 0x00   |
| FCR       | Bits [7:0] = 0x00   |
| ISR       | Bits [7:0] = 0x01   |
| LCR       | Bits [7:0] = 0x00   |
| MCR       | Bits [7:0] = 0x00   |
| LSR       | Bits [7:0] = 0x60   |
| MSR       | Bits [3:0] = logic 0<br>Bits [7:4] = logic levels of the inputs |
| SPR       | Bits [7:0] = 0xFF   |
| FCTR      | Bits [7:0] = 0x00   |
| EFR       | Bits [7:0] = 0x00   |
| TXCNT     | Bits [7:0] = 0x00   |
| TXTRG     | Bits [7:0] = 0x00   |
| RXCNT     | Bits [7:0] = 0x00   |
| RXTRG     | Bits [7:0] = 0x00   |
| XCHAR     | Bits [7:0] = 0x00   |
| XON1      | Bits [7:0] = 0x00   |
| XON2      | Bits [7:0] = 0x00   |
| XOFF1     | Bits [7:0] = 0x00   |
| XOFF2     | Bits [7:0] = 0x00   |

| I/O SIGNALS | RESET STATE |
|-------------|-------------|
| TX[3:0]     | HIGH        |
| IRTX[3:0]   | LOW         |
| RTS#[3:0]   | HIGH        |
| DTR#[3:0]   | HIGH        |
| EECK        | LOW         |
| EECS        | LOW         |
| EEDI        | LOW         |



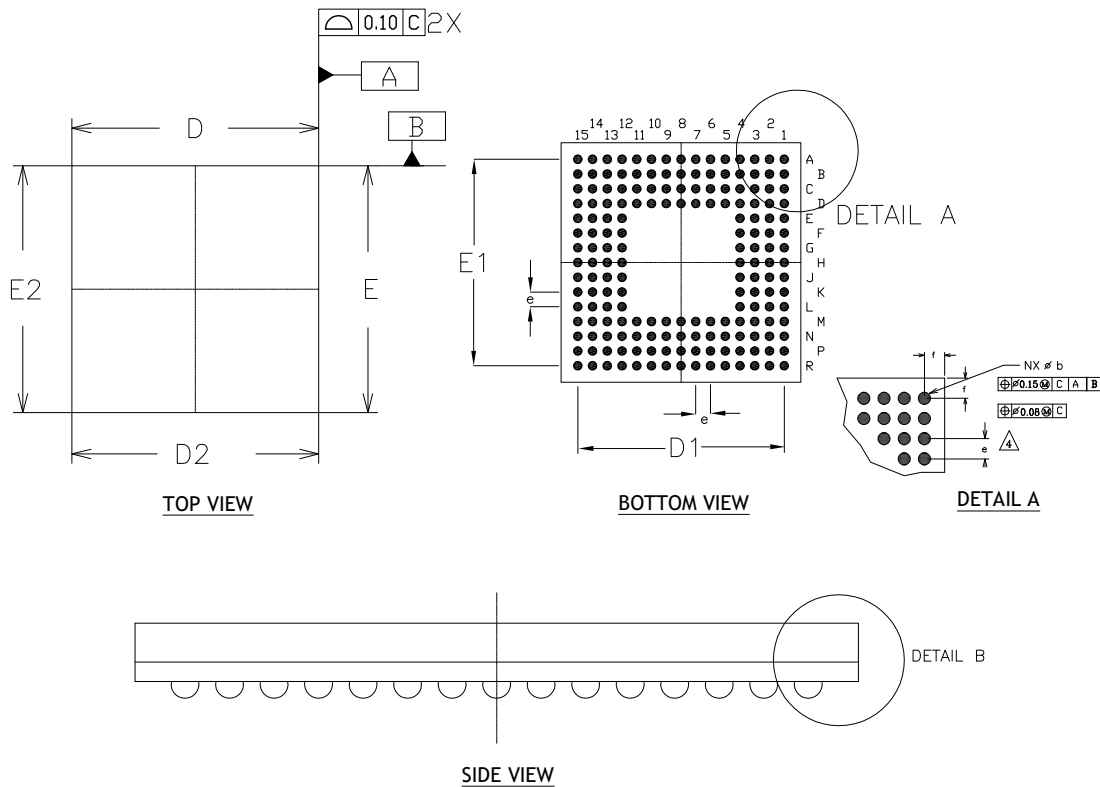
**ABSOLUTE MAXIMUM RATINGS**

|                                |   |
|--------------------------------|---|
| Power Supply Range             | 3.6 Volts   |
| Voltage at Any Pin             | -0.5 to VCC+0.5V  |
| Operating Temperature          | -40 to +85°C  |
| Storage Temperature            | -65 to +150°C   |
| Package Dissipation            | 500 mW  |
| Thermal Resistance (176-FPBGA) | $\theta_{JA} = 31.6^{\circ}\text{C/W}$ , $\theta_{JC} = 15.2^{\circ}\text{C/W}$ |

**ELECTRICAL CHARACTERISTICS**
**DC ELECTRICAL CHARACTERISTICS**
 **$T_A = -40^{\circ}$  TO  $+85^{\circ}\text{C}$  (INDUSTRIAL GRADE) SUPPLY VOLTAGE,  $V_{CC} = 3.3\text{V} \pm 10\%$** 

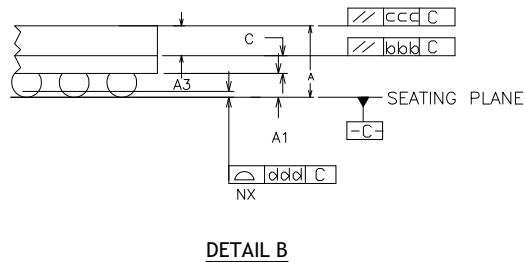
| SYMBOL   | PARAMETER                         | MIN  | TYP  | MAX   | UNITS | CONDITION               | NOTES  |
|----------|-----------------------------------|------|------|-------|-------|-------------------------|--|
| $V_{IL}$ | Input Low Voltage                 | -0.3 |      | 0.6   | V     |                         |  |
| $V_{IH}$ | Input High Voltage                | 2.4  |      | VCC33 | V     |                         |  |
| $V_{OL}$ | Output Low Voltage                |      |      | 0.4   | V     | $I_{OL} = 6 \text{ mA}$ |  |
| $V_{OH}$ | Output High Voltage               | 2.4  |      |       | V     | $I_{OH} = -4\text{mA}$  |  |
| $V_{LX}$ | Output of Internal Buck Regulator |      | 1.24 |       | V     |                         | $V_{LX}$ output should only be used to power VCC12 and VCC12A. |
| VCC12    | Digital core power input          | 1.08 |      | 1.32  | V     |                         |  |
| VCC12A   | Analog Phy power input            | 1.08 |      | 1.32  | V     |                         |  |
| $I_{CC}$ | Power Supply Current              |      |      | 100   | mA    |                         | Total for all VCC33 power supplies                             |

MECHANICAL DIMENSIONS (176-FPBGA)



| DIM SYMBOL | MIN       | NOM   | MAX   |
|------------|-----------|-------|-------|
| A          | 1.20      | 1.35  | 1.50  |
| A1         | 0.25      | 0.30  | 0.35  |
| A3         | 0.65      | 0.70  | 0.75  |
| C          | 0.30      | 0.35  | 0.40  |
| D          | 12.90     | 13.00 | 13.10 |
| D1         | 11.20 BSC |       |       |
| D2         | 12.90     | 13.00 | 13.10 |
| E          | 12.90     | 13.00 | 13.10 |
| E1         | 11.20 BSC |       |       |
| E2         | 12.90     | 13.00 | 13.10 |
| b          | 0.45      | 0.50  | 0.55  |
| bbb        |           |       | 0.10  |
| ccc        |           |       | 0.10  |
| ddd        |           |       | 0.12  |
| e          | 0.80 BSC  |       |       |
| f          | 0.80      | 0.90  | 1.00  |
| M          | 15        |       |       |
| N          | 176       |       |       |

TERMINAL DETAILS



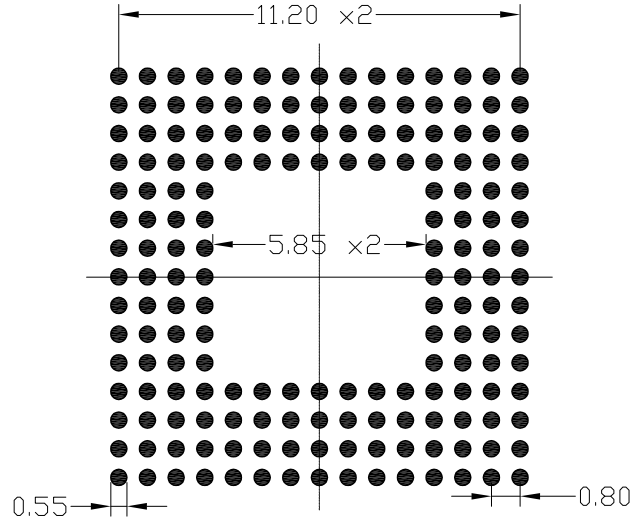
DETAIL B

NOTE : ALL DIMENSIONS ARE IN MILLIMETERS.

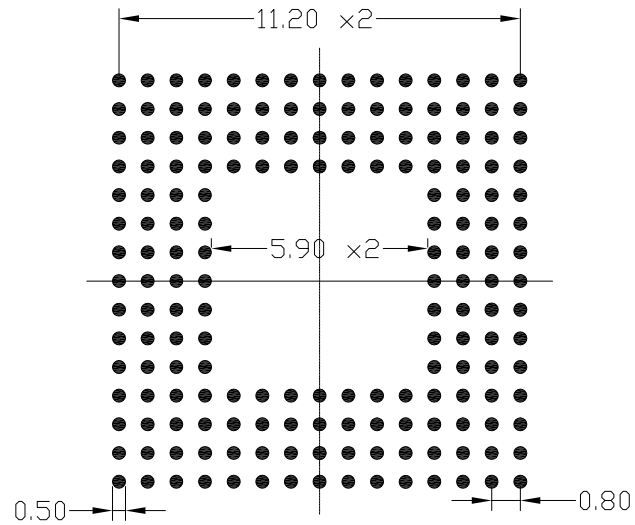
Drawing No.: POD- 00000136

Revision: A

RECOMMENDED LAND PATTERN AND STENCIL (176-FPBGA)



TYPICAL RECOMMENDED LAND PATTERN



TYPICAL RECOMMENDED STENCIL

NOTE : ALL DIMENSIONS ARE IN MILLIMETERS.

Drawing No.: POD- 00000136

Revision: A

## REVISION HISTORY

| DATE           | REVISION  | DESCRIPTION   |
|----------------|-----------|---|
| March 2009     | P1.0.0    | Preliminary Datasheet.  |
| April 2009     | P1.0.1    | Fixed typo in Pin Descriptions. G12 should be "VCC12" as shown in <b>Figure 2</b> and not "VCC33".  |
| July 2009      | P1.0.2    | Added preliminary DC Electrical Characteristics. Clarified VCC33 and VCC12 pin descriptions.  |
| December 2009  | Rev 1.0.0 | Final datasheet. Updated DC Electrical specs.   |
| September 2010 | Rev 1.0.1 | Corrected the polarity of pin "TRST#".  |
| April 2011     | Rev 1.0.2 | Removed the "MSI-X Capable Capability ID" in the Table 1.   |
| April 2012     | Rev 1.0.3 | Removed the references to "burst mode" (fast back to back transactions) in section 2 since this feature is not supported in the PCIe specs (only in the PCI specs). Therefore, it is not supported by the XR17V354.   |
| April 2015     | Rev 1.0.4 | Remove Device Status from Ordering Information table. Update package drawing. Added internal pull-up and pull-down information in pin descriptions. Clarified EECS, EECK, EEDO, D[7:0], INT, SEL, MODE, PRES and MPIO[15:0] pin descriptions. Corrected maximum baud rate from 25 to 31.25 Mbps. [ECN 1518-06 Apr 28 2015]  |
| July 2018      | Rev 1.0.5 | Update to MaxLinear logo. Update format and Ordering Information. Capacitor in Figure 3 updated to ceramic. Clarified CLKREQ# pin description. Moved IER and ISR in register description table. Updated BRG calculation in section 3.1. Updated some DLD values in Tables 11 and 12. Updated MPIOINT register description, section 1.4.9. Updated register 0x10 description and PWRGD pin description. Updated and clarified section 1.4.1. |

**Corporate Headquarters:**

5966 La Place Court  
Suite 100  
Carlsbad, CA 92008  
Tel.: +1 (760) 692-0711  
Fax: +1 (760) 444-8598  
[www.maxlinear.com](http://www.maxlinear.com)

**High Performance Analog:**

1060 Rincon Circle  
San Jose, CA 95131  
Tel.: +1 (669) 265-6100  
Fax: +1 (669) 265-6101  
[www.exar.com](http://www.exar.com)

The content of this document is furnished for informational use only, is subject to change without notice, and should not be construed as a commitment by MaxLinear, Inc.. MaxLinear, Inc. assumes no responsibility or liability for any errors or inaccuracies that may appear in the informational content contained on this guide. Complying with all applicable copyright laws is the responsibility of the user.. Without limiting the rights under copyright, no part of this document may be reproduced into, stored in, or introduced into a retrieval system, or transmitted in any form or by any means (electronic, mechanical, photocopying, recording, or otherwise), or for any purpose, without the express written permission of MaxLinear, Inc.

MaxLinear, Inc. does not recommend the use of any of its products in life support applications where the failure or malfunction of the product can reasonably be expected to cause failure of the life support system or to significantly affect its safety or effectiveness. Products are not authorized for use in such applications unless MaxLinear, Inc. receives, in writing, assurances to its satisfaction that: (a) the risk of injury or damage has been minimized; (b) the user assumes all such risks; (c) potential liability of MaxLinear, Inc. is adequately protected under the circumstances.

MaxLinear, Inc. may have patents, patent applications, trademarks, copyrights, or other intellectual property rights covering subject matter in this document. Except as expressly provided in any written license agreement from MaxLinear, Inc., the furnishing of this document does not give you any license to these patents, trademarks, copyrights, or other intellectual property.

Company and product names may be registered trademarks or trademarks of the respective owners with which they are associated.

## X-ON Electronics

Largest Supplier of Electrical and Electronic Components

*Click to view similar products for [Interface Development Tools](#) category:*

*Click to view products by [MaxLinear](#) manufacturer:*

Other Similar products are found below :

[TW-DONGLE-USB](#) [XR21B1424IV64-0A-EVB](#) [ISL41334EVAL1Z](#) [SN65HVS885EVM](#) [EVK-U23-01S](#) [MARS1-DEMO3-ADAPTER-GEVB](#)  
[STR-FUSB3307MPX-PPS-GEVK](#) [P0551](#) [ZSC31010KITV2P1](#) [TDP1204EVM](#) [CP2104-MINIEK](#) [103030295](#) [LVDS-18B-EVK](#) [MIKROE-](#)  
[2335](#) [KIT\\_MINIWIGGLER\\_3\\_USB](#) [KITXMC4XCOMETH001TOBO1](#) [XR20M1170G16-0A-EB](#) [XR20M1170G16-0B-EB](#)  
[XR20M1170G24-0A-EB](#) [XR20M1170G24-0B-EB](#) [73931-3022](#) [SI871XSOIC8-KIT](#) [1764](#) [1833](#) [TCA8418E-EVM](#) [1862](#) [ZSC31010KITV2.1](#)  
[EVAL-ADM2486EBZ](#) [EVAL-ADM2487EEB3Z](#) [EVALISO1I811TTOBO1](#) [EVB-USB82514](#) [ATAB663254A-V1.2](#) [AS8650 DB V10](#) [EVAL-](#)  
[ADM3251EEB1Z](#) [EVAL-CN0160-EB1Z](#) [EVB80104-A1](#) [2264](#) [MCP23X17EV](#) [EKIT01-HMC6545LP5](#) [PS09-EVA-KIT](#) [237](#)  
[MAX96708COAXEVKIT#](#) [MAX96711COAXEVKIT#](#) [SMA2RJ45EVK/NOPB](#) [MAX1493XSEVKIT#](#) [SERDESUR-43USBNOPB](#)  
[DS34RT5110-EVKC](#) [ORG4572-R01-UAR](#) [XR21B1422IL40-0A-EVB](#) [XR21B1420IL28-0A-EVB](#)