

GENERAL DESCRIPTION

The **XR21V1412** is an enhanced 2-channel Universal Asynchronous Receiver and Transmitter (UART) with a USB interface. The USB interface is fully compliant to Full Speed USB 2.0 specification that supports 12 Mbps USB data transfer rate. The USB interface also supports USB suspend, resume and remote wakeup operations.

The XR21V1412 operates from an internal 48MHz clock therefore no external crystal/oscillator is required as in previous generation UARTs. With the fractional baud rate generator, any baud rate can accurately be generated using the internal 48MHz clock.

The large 128-byte TX FIFO and 384-byte RX FIFO of the XR21V1412 helps to optimize the overall data throughput for various applications. If required, the multidrop mode and automatic RS-485 half-duplex direction control feature further simplifies typical multidrop RS-485 applications.

The XR21V1412 operates from a single 2.97 to 3.63 volt power supply and has 5V tolerant inputs. The XR21V1412 is available in a 32-pin QFN package.

The XR21V1412 uses the native OS CDC-ACM driver or a MaxLinear supplied custom driver. MaxLinear provides WHQL/HCK-certified software drivers for Windows XP, Vista, 7, 8, 8.1 and 10 as well as software drivers for Windows CE, Linux and Mac OS X. Full source code is available.

APPLICATIONS

- Portable Appliances
- External Converters (dongles)
- Battery-Operated Devices
- Cellular Data Devices
- Factory Automation and Process Controls
- Industrial applications

FEATURES

- USB 2.0 Compliant, Full-Speed (12 Mbps)
 - Supports USB suspend, resume and remote wakeup operations
 - ± 5 kV HBM ESD protection on USB data pins
 - ± 2 kV HBM ESD protection on all other pins
- Enhanced Features of each UART
 - UART data rates up to 12 Mbps
 - Fractional Baud Rate Generator
 - 128 byte TX FIFO
 - 384 byte RX FIFO
 - 7, 8 or 9 data bits
 - 1 or 2 stop bits
 - Odd, even, mark, space or no parity
 - Automatic Hardware (RTS/CTS or DTR/DSR) Flow Control
 - Automatic Software (Xon/Xoff) Flow Control
 - Multidrop mode
 - Auto RS-485 Half-Duplex Control
 - Half-Duplex mode
 - Selectable GPIO or Modem I/O
- Internal 48 MHz clock
- Single 3.3V power supply
- 5V tolerant GPIO inputs
- 32-pin QFN package
- Virtual COM Port WHQL certified drivers
 - Windows XP, Vista, Win7 and Win8
 - Windows CE 4.2, 5.0, 6.0, 7.0
 - Linux
 - Mac

FIGURE 1. XR21V1412 BLOCK DIAGRAM

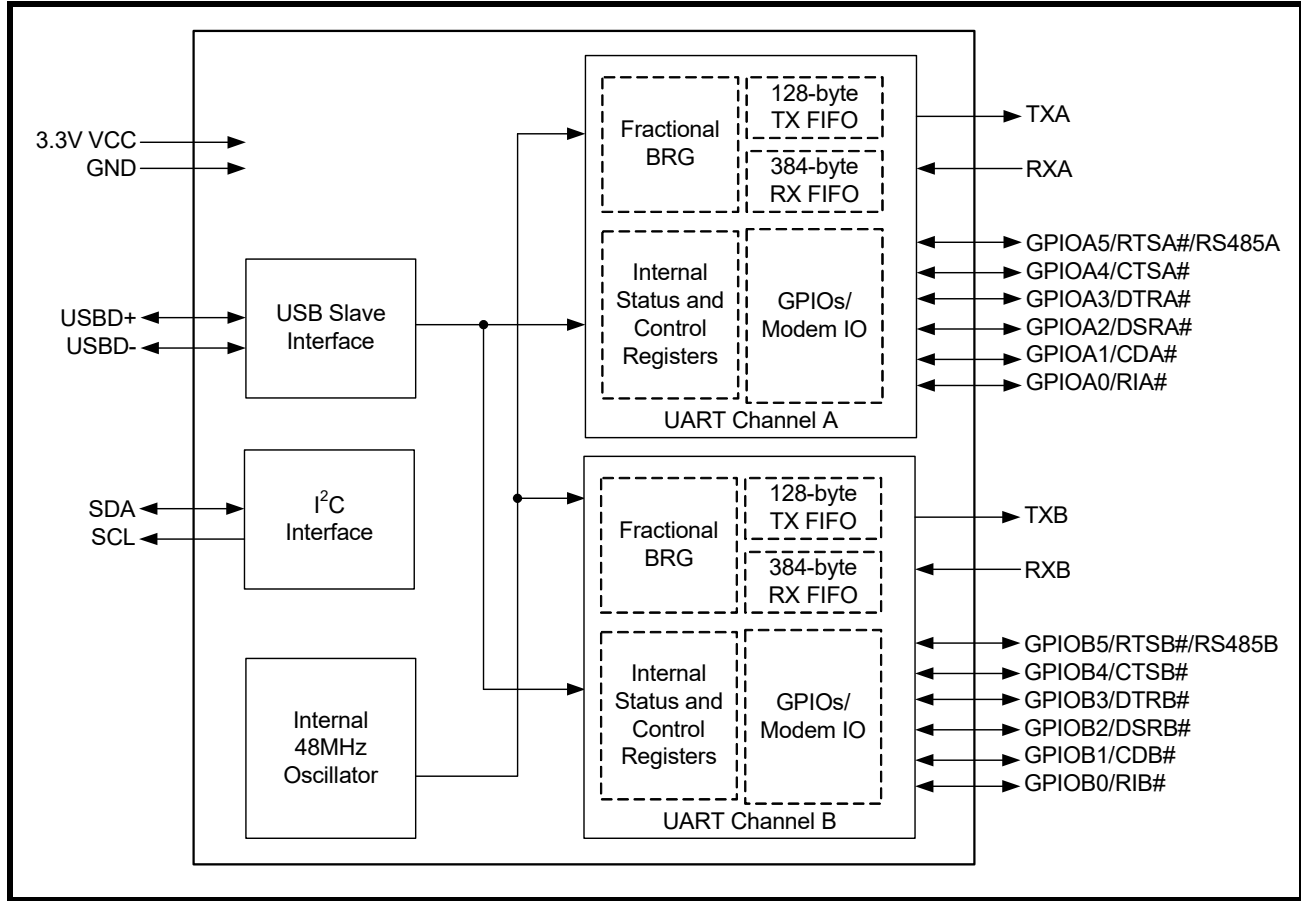
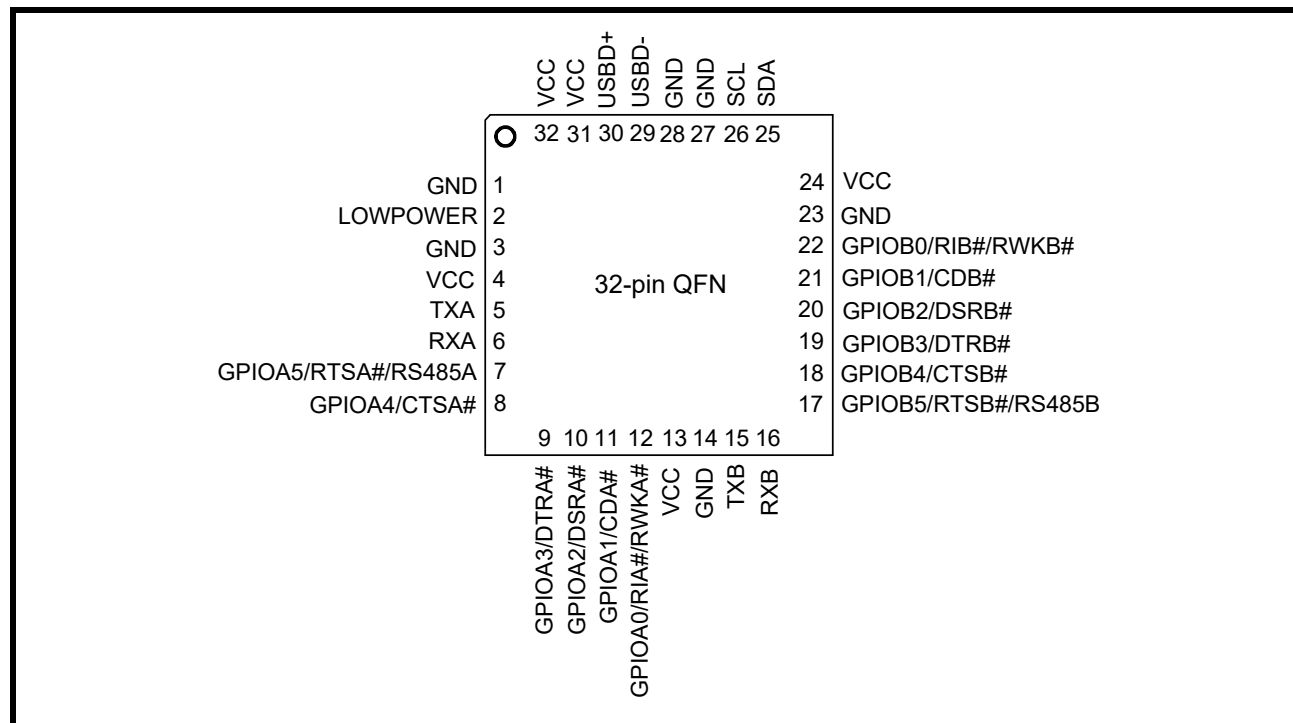


FIGURE 2. PIN OUT ASSIGNMENT

ORDERING INFORMATION⁽¹⁾

| PART NUMBER | OPERATING TEMPERATURE RANGE | LEAD-FREE | PACKAGE | PACKAGING METHOD |
|-------------------|--|--------------------|------------|------------------|
| XR21V1412IL32-F | -40°C to +85°C | Yes ⁽²⁾ | 32-pin QFN | Tray |
| XR21V1412IL32TR-F | | | | Tape and Reel |
| XR21V1412IL-0A-EB | XR21V1412 Evaluation Board - RS-232 and RS-485 capable | | | |
| XR21V1412IL-0B-EB | XR21V1412 Evaluation Board - RS-232 capable | | | |

NOTES:

1. Refer to www.exar.com/XR21V1412 for most up-to-date Ordering Information.
2. Visit www.exar.com for additional information on Environmental Rating.

PIN DESCRIPTIONS

| NAME | 32-QFN PIN # | TYPE | DESCRIPTION |
|-------------------------------|-----------------|------|--|
| UART Channel A Signals | | | |
| RXA | 6 | I | UART Channel A Receive Data. This pin has an internal pull-up resistor. Internal pull-up resistor is <u>not</u> disabled during suspend mode. |
| TXA | 5 | O | UART Channel A Transmit Data. |
| GPIOA0/RIA#/ RWKA# | 12 | I/O | UART Channel A general purpose I/O or UART Ring-Indicator input (active low) or Remote Wakeup Input (See "Section 1.5.13, Remote Wakeup" on page 13.). This pin has an internal pull-up resistor which is disabled during suspend mode. If using this GPIO as an input, an external pull-up resistor is required to minimize the power consumption in the suspend mode. |
| GPIOA1/CDA# | 11 | I/O | UART Channel A general purpose I/O or UART Carrier-Detect input (active low). This pin has an internal pull-up resistor which is disabled during suspend mode. If using this GPIO as an input, an external pull-up resistor is required to minimize the power consumption in the suspend mode. |
| GPIOA2/DSRA# | 10 | I/O | UART Channel A general purpose I/O or UART Data-Set-Ready input (active low). See "Section 1.5.6, Automatic DTR/DSR Hardware Flow Control" on page 12. This pin has an internal pull-up resistor which is disabled during suspend mode. If using this GPIO as an input, an external pull-up resistor is required to minimize the power consumption in the suspend mode. |
| GPIOA3/DTRA# | 9 | I/O | UART Channel A general purpose I/O or UART Data-Terminal-Ready output (active low). See "Section 1.5.6, Automatic DTR/DSR Hardware Flow Control" on page 12. This pin has an internal pull-up resistor which is disabled during suspend mode. If using this GPIO as an input, an external pull-up resistor is required to minimize the power consumption in the suspend mode. |
| GPIOA4/CTSA# | 8 | I/O | UART Channel A general purpose I/O or UART Clear-to-Send input (active low). See "Section 1.5.5, Automatic RTS/CTS Hardware Flow Control" on page 11. This pin has an internal pull-up resistor which is disabled during suspend mode. If using this GPIO as an input, an external pull-up resistor is required to minimize the power consumption in the suspend mode. |
| GPIOA5/RTSA#/ RS485A | 7 | I/O | UART Channel A general purpose I/O or UART Request-to-Send output (active low) or auto RS-485 half-duplex control. See "Section 1.5.5, Automatic RTS/CTS Hardware Flow Control" on page 11. This pin has an internal pull-up resistor which is disabled during suspend mode. If using this GPIO as an input, an external pull-up resistor is required to minimize the power consumption in the suspend mode. |
| UART Channel B Signals | | | |
| RXB | 16 | I | UART Channel B Receive Data. This pin has an internal pull-up resistor. Internal pull-up resistor is <u>not</u> disabled during suspend mode. |
| TXB | 15 | O | UART Channel B Transmit Data. |
| GPIOB0/RIB#/ RWKB# | 22 | I/O | UART Channel B general purpose I/O or UART Ring-Indicator input (active low) or Remote Wakeup Input (See "Section 1.5.13, Remote Wakeup" on page 13.). This pin has an internal pull-up resistor which is disabled during suspend mode. If using this GPIO as an input, an external pull-up resistor is required to minimize the power consumption in the suspend mode. |
| GPIOB1/CDB# | 21 | I/O | UART Channel B general purpose I/O or UART Carrier-Detect input (active low). This pin has an internal pull-up resistor which is disabled during suspend mode. If using this GPIO as an input, an external pull-up resistor is required to minimize the power consumption in the suspend mode. |

| NAME | 32-QFN PIN # | TYPE | DESCRIPTION |
|------------------------------|--------------|-----------|---|
| GPIOB2/DSRB# | 20 | I/O | UART Channel B general purpose I/O or UART Data-Set-Ready input (active low). See "Section 1.5.6, Automatic DTR/DSR Hardware Flow Control" on page 12. This pin has an internal pull-up resistor which is disabled during suspend mode. If using this GPIO as an input, an external pull-up resistor is required to minimize the power consumption in the suspend mode. |
| GPIOB3/DTRB# | 19 | I/O | UART Channel B general purpose I/O or UART Data-Terminal-Ready output (active low). See "Section 1.5.6, Automatic DTR/DSR Hardware Flow Control" on page 12. This pin has an internal pull-up resistor which is disabled during suspend mode. If using this GPIO as an input, an external pull-up resistor is required to minimize the power consumption in the suspend mode. |
| GPIOB4/CTSB# | 18 | I/O | UART Channel B general purpose I/O or UART Clear-to-Send input (active low). See "Section 1.5.5, Automatic RTS/CTS Hardware Flow Control" on page 11. This pin has an internal pull-up resistor which is disabled during suspend mode. If using this GPIO as an input, an external pull-up resistor is required to minimize the power consumption in the suspend mode. |
| GPIOB5/RTSB#/ RS485B | 17 | I/O | UART Channel B general purpose I/O or UART Request-to-Send output (active low) or auto RS-485 half-duplex control. See "Section 1.5.5, Automatic RTS/CTS Hardware Flow Control" on page 11 or "Section 1.5.8, Auto RS-485 Half-Duplex Control" on page 12. This pin has an internal pull-up resistor which is disabled during suspend mode. If using this GPIO as an input, an external pull-up resistor is required to minimize the power consumption in the suspend mode. |
| USB Interface Signals | | | |
| USBD+ | 30 | I/O | USB port differential data plus. This pin has a 1.5 K Ohm internal pull-up resistor. |
| USBD- | 29 | I/O | USB port differential data minus. |
| I2C Interface Signals | | | |
| SDA | 25 | I/O OD | I ² C-controller data input/output (open-drain). An optional external I ² C EEPROM can be used to store default configurations upon power-up including the USB Vendor ID and Device ID. See Table 3. A pull-up resistor (typically 4.7 to 10k Ohms) is required. If an EEPROM is not used, this pin can be used with the SCL pin to select the Remote Wake-up and Power modes. An external pull-up or pull-down resistor is required. See Table 2. |
| SCL | 26 | I/O OD | I ² C-controller serial input clock. An optional external I ² C EEPROM can be used to store default configurations upon power-up including the USB Vendor ID and Device ID. See Table 3. A pull-up resistor (typically 4.7 to 10k Ohms) is required. If an EEPROM is not used, this pin can be used with the SDA pin to select the Remote Wake-up and Power modes. An external pull-up or pull-down resistor is required. See Table 2. |

| NAME | 32-QFN PIN # | TYPE | DESCRIPTION |
|------------------------------|----------------------|------|---|
| Miscellaneous Signals | | | |
| LOWPOWER | 2 | O | <p>Low power status output. The LOWPOWER pin will be asserted whenever it is not safe to draw the amount of current from VBUS power requested in the Device Max Power field of the Configuration Descriptor. The LOWPOWER pin will behave differently for a low power device and a high power device.</p> <ul style="list-style-type: none"> • Low-power device (≤ 1 unit load or 100 mA i.e. $bMaxPower \leq 0x32$): LOWPOWER pin is asserted when the USB UART is in suspend mode. • High-power device ($bMaxPower > 0x32$): LOWPOWER pin is asserted when the USB UART is in suspend mode or when it is not yet configured. <p>The LOWPOWER pin will be de-asserted whenever it is safe to draw the amount of current requested in the Device Maximum Power field.</p> <p>This pin is sampled momentarily at power-up or at any USB bus reset to configure the polarity of the LOWPOWER output during suspend mode. An external (10K) pull-up resistor will cause the LOWPOWER pin to be asserted HIGH during suspend mode. An external (3.3K) pull-down resistor will cause the LOWPOWER pin to be asserted LOW during suspend mode.</p> |
| VCC | 4, 13, 24, 31, 32 | Pwr | +3.3V power supply. |
| GND | 1, 3, 14, 23, 27, 28 | Pwr | Power supply common, ground. |
| GND | Center Pad | Pwr | The center pad on the back side of the QFN package is metallic and should be connected to GND on the PCB. The thermal pad size on the PCB should be the approximate size of this center pad and should be solder mask defined. The solder mask opening should be at least 0.0025" inwards from the edge of the PCB thermal pad. |

NOTE: Pin type: I=Input, O=Output, I/O= Input/output, OD=Output Open Drain.

1.0 FUNCTIONAL DESCRIPTIONS

1.1 USB interface

The USB interface of the XR21V1412 is compliant with the USB 2.0 Full-Speed Specifications. The USB configuration model presented by the XR21V1412 to the device driver is compatible to the Abstract Control Model of the USB Communication Device Class (CDC-ACM). The XR21V1412 uses the following set of parameters:

- 1 Control Endpoint
 - Endpoint 0 as outlined in the USB specifications
- 1 Configuration is supported
- 2 interfaces per UART channel
 - Each UART channel has a single interrupt endpoint
 - Each UART channel have bulk-in and bulk-out endpoints

1.1.1 USB Vendor ID

Exar's USB Vendor ID is 0x04E2. This is the default Vendor ID that is used for the XR21V1412 unless a valid EEPROM is present on the I2C interface signals. If a valid EEPROM is present, the Vendor ID from the EEPROM will be used.

1.1.2 USB Product ID

The default USB Product ID for the XR21V1412 is 0x1412. If a valid EEPROM is present, the Product ID from the EEPROM will be used. Note that Exar's custom drivers for all Windows OS require that the Product ID be an even number for the XR21V1412 device for proper identification of the device.

1.2 USB Device Driver

The XR21V1412 device can be used with either a standard CDC-ACM driver or a custom driver. When the CDC-ACM driver is used, the driver has no capability to read or write the XR21V1412 device registers. Because of this, the XR21V1412 device is initialized to the settings in [Table 1](#): With a custom driver, all GPIOs default in hardware to inputs but these settings may be modified by the custom driver.

TABLE 1: V1412 REGISTER DEFAULTS WITH CDC-ACM DRIVER

| REGISTER | VALUE | NOTES |
|----------------|-------|---|
| FLOW_CONTROL | 0x01 | Hardware flow control |
| GPIO_MODE | 0x01 | RTS / CTS flow control |
| GPIO_DIRECTION | 0x08 | GPIO3/DTR# configured as an output |
| GPIO_INT_MASK | 0x30 | GPIO0/RI#, GPIO1/CD# and GPIO2/DSR# are interrupt sensitive, i.e. can cause a USB interrupt to be generated |

Note that when using a CDC-ACM driver, the XR21V1412 will automatically change the bMaxPacketSize to 63 bytes to compensate for a known issue with the Microsoft CDC-ACM device driver. A register is available to change this setting with a custom driver as well. See ["Section 3.4.1, CUSTOM Register Description - Chan A / B \(Read/Write\)" on page 25](#). Although there is no ability to read / write registers when using the CDC-ACM driver, basic UART functions, including setting baud rate, character format and sending line break are supported by the CDC driver. Refer to the 4 CDC_ACM_IF USB Control Commands listed in [Table 4, "Supported USB Control Commands," on page 14](#).

1.3 I²C Interface

The I²C interface provides connectivity to an external I²C memory device (i.e. EEPROM) that can be read by the XR21V1412 for configuration. If no external EEPROM is present, the SDA and SCL are used to specify remote wakeup support and power mode as described in Table 2. These pins are sampled at power-up.

TABLE 2: REMOTE WAKEUP AND POWER MODES

| SDA | SCL | REMOTE WAKE-UP SUPPORT | POWER MODE |
|-----|-----|------------------------|--------------|
| 1 | 1 | No | Self-Powered |
| 1 | 0 | No | Bus-Powered |
| 0 | 1 | Yes | Self-Powered |
| 0 | 0 | Yes | Bus-Powered |

1.3.1 EEPROM Contents

If SDA and SCL are both logic '1', the XR21V1412 device will first confirm if there is an external EEPROM attached by attempting to read the first 8 locations of the ROM. If address 0x07 of the ROM contains the value 0x58 (as specified in Table 3), the contents of the ROM are assumed to be valid. Otherwise the EEPROM will be ignored and the SDA / SCL bits are used to indicate remote wakeup support and device power mode.

The I²C address must be 0xA0. An EEPROM can be used to override default Vendor IDs and Device IDs, as well as other attributes and maximum power consumption. MaxLinear provides an in-circuit EEPROM programming utility through the USB interface using UART Control block 0x65. Refer to Table 5, "Control Blocks," on page 15. The EEPROM programming utility can be downloaded from the Exar website. These values are uploaded from the EEPROM to the corresponding USB Standard Device Descriptor or Standard Configuration Descriptor. For details of the USB Descriptors, refer to the USB 2.0 specifications.

TABLE 3: EEPROM CONTENTS

| EEPROM ADDRESS | CONTENTS |
|----------------|---|
| 0 | Vendor ID (LSB) |
| 1 | Vendor ID (MSB) |
| 2 | Product ID (LSB) |
| 3 | Product ID (MSB) |
| 4 | Device Attributes |
| 5 | Device Maximum Power |
| 6 | Reserved |
| 7 | Signature of 0x58 ('X'). If the signature is not correct, the contents of the EEPROM are ignored. |

1.3.1.1 Vendor ID

The Vendor ID value replaces the idVendor field in the USB Standard Device Descriptor.

1.3.1.2 Product ID

The Product ID value replaces the idProduct field in the USB Standard Device Descriptor.

1.3.1.3 Device Attributes

The Device Attributes value replaces the `bmAttributes` field in the USB Standard Configuration Descriptor. The default setting in the XR21V1412 device is 0xA0. The bit field definitions are:

- Bit 7 is reserved - set to '1'
- Bit 6 is Self-powered mode - set to '0' for bus-powered, set to '1' for self-powered
- Bit 5 is Remote Wakeup support - set to '0' for no support, set to '1' for remote wakeup support
- Bit 4:0 are reserved - set to '0'

1.3.1.4 Device Maximum Power

The Device Maximum Power value replaces the `bMaxPower` field in the USB Standard Configuration Descriptor. The value specified is in units of 2 mA. For example, the value 0x2F is decimal 47 or 94 mA. Note that the default `bMaxPower` of the XR21V1412 device is 94 mA.

1.4 UART Manager

The UART Manager enables/disables each UART including the TX and RX FIFOs for each UART. The UART Manager is located in a separate register block from the 2 UART channels.

1.5 UART

There are 2 enhanced UART channels in the XR21V1412. Each UART channel is independent, therefore, they will need to be initialized and configured independently. Each UART can be configured via USB control transfers from the USB host. The UART transmitter and receiver sections are described separately in the following sections. At power-up, the XR21V1412 will default to 9600 bps, 8 data bits, no parity bit, 1 stop bit, and no flow control. If a standard CDC driver accesses the XR21V1412, defaults will change. See "Section 1.2, USB Device Driver" on page 7.

1.5.1 Transmitter

The transmitter consists of a 128-byte TX FIFO and a Transmit Shift Register (TSR). Once a bulk-out packet has been received and the CRC has been validated, the data bytes in that packet are written into the TX FIFO of the specified UART channel. Data from the TX FIFO is transferred to the TSR when the TSR is idle or has completed sending the previous data byte. The TSR shifts the data out onto the TX output pin at the data rate defined by the `CLOCK_DIVISOR` and `TX_CLOCK_MASK` registers. The transmitter sends the start bit followed by the data bits (starting with the LSB), inserts the proper parity-bit if enabled, and adds the stop-bit(s). The transmitter can be configured for 7 or 8 data bits with or without parity or 9 data bits without parity. If 9 bit data is selected without wide mode, the 9th bit will always be '0'.

1.5.1.1 Wide Mode Transmit

When both 9 bit data and wide mode are enabled, two bytes of data must be written. The first byte that is loaded into the TX FIFO are the first 8 bits (data bits 7-0) of the 9-bit data. Bit-0 of the second byte that is loaded into the TX FIFO is bit-8 of the 9-bit data. The data that is transmitted on the TX pin is as follows: start bit, 9-bit data, stop bit. Use the `WIDE_MODE` register to enable wide mode.

1.5.2 Receiver

The receiver consists of a 384-byte RX FIFO and a Receive Shift Register (RSR). Data that is received in the RSR via the RX pin is transferred into the RX FIFO. Data from the RX FIFO is transferred to the USB host in response to a Bulk-In request. Depending on the mode, error / status information for that data character may or may not be stored in the RX FIFO with the data.

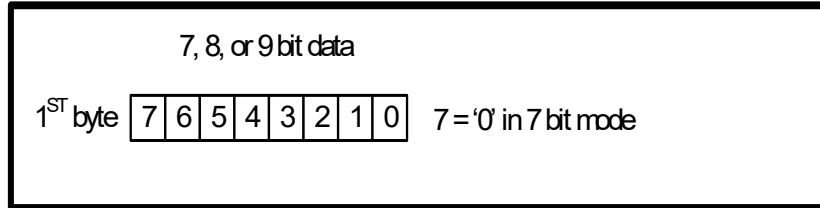
1.5.2.1 Normal receive operation with 7 or 8-bit data

Data that is received is stored in the RX FIFO. Any parity, framing or overrun error or break status information related to the data is discarded. Receive data format is shown in Figure 3.

1.5.2.2 Normal receive operation with 9-bit data

The first 8 bits of data received is stored in the RX FIFO. The 9th bit as well as any parity, framing or overrun error or break status information related to the data is discarded.

FIGURE 3. NORMAL OPERATION RECEIVE DATA FORMAT



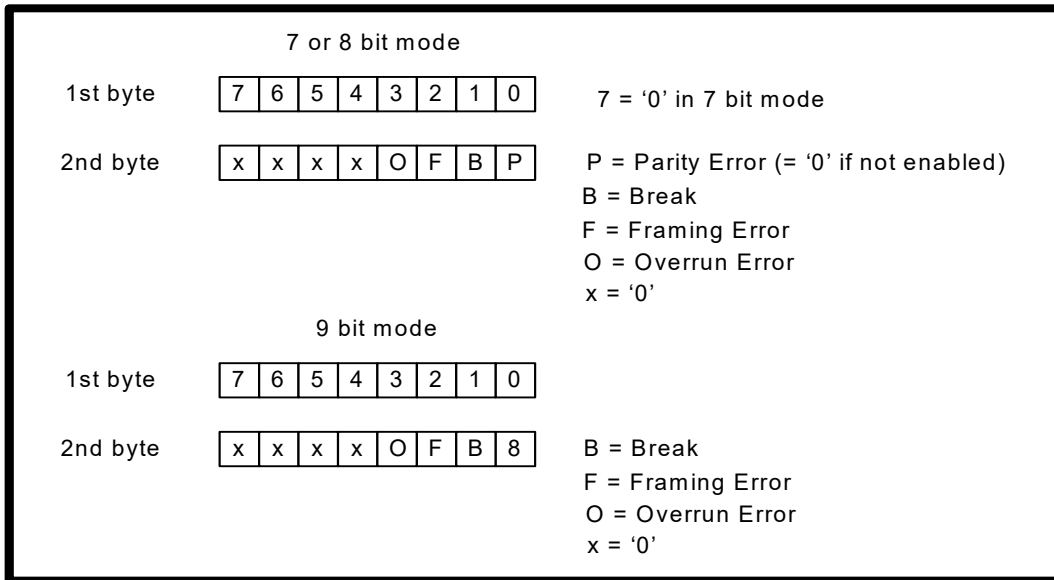
1.5.2.3 Wide mode receive operation with 7 or 8-bit data

Two bytes of data are loaded into the RX FIFO for each byte of data received. The first byte is the received data. The second byte consists of the error bits and break status. Wide mode receive data format is shown in Figure 4.

1.5.2.4 Wide mode receive operation with 9-bit data

Two bytes of data are loaded into the RX FIFO for each byte of data received. The first byte is the first 8 bits of the received data. The 9th bit received is stored in the bit 0 of the second byte. The parity bit is not received / checked. The remainder of the 2nd byte consists of the framing and overrun error bits and break status.

FIGURE 4. WIDE MODE RECEIVE DATA FORMAT



Error flags are also available from the ERROR_STATUS register and the interrupt packet, however these flags are historical flags indicating that an error has occurred since the previous request. Therefore, no conclusion can be drawn as to which specific byte(s) may have contained an actual error in this manner.

1.5.3 Rx FIFO Low Latency

In normal operation all bulk-in transfers will be of maxPacketSize (64) bytes to improve throughput and to minimize host processing. When there are 64 bytes of data in the RX FIFO, the XR21V1412 will acknowledge a bulk-in request from the host and transfer the data packet. If there is less than 64 bytes in the RX FIFO, the XR21V1412 may NAK the bulk-in request indicating that data is not ready to transfer at that time. However, if

there is less than 64 bytes in the RX FIFO and no data has been received for more than 3 character times, the XR21V1412 will acknowledge the bulk-in request and transfer any data in the RX FIFO to the USB host.

In some cases, especially when the baud rate is low, this increases latency unacceptably. The XR21V1412 has a low latency register bit that will cause the XR21V1412 to immediately transfer any received data in the RX FIFO to the USB host, i.e. it will not wait for 3 character times. The custom driver can automatically set the RX_FIFO_LOW_LATENCY register bit to force the XR21V1412 to be in the low latency mode, or the user may manually set this bit. With the CDC-ACM driver, the low latency mode is automatically set whenever the baud rate is set to a value of less than 46921 bps using the CDC_ACM_IF_SET_LINE_CODING command.

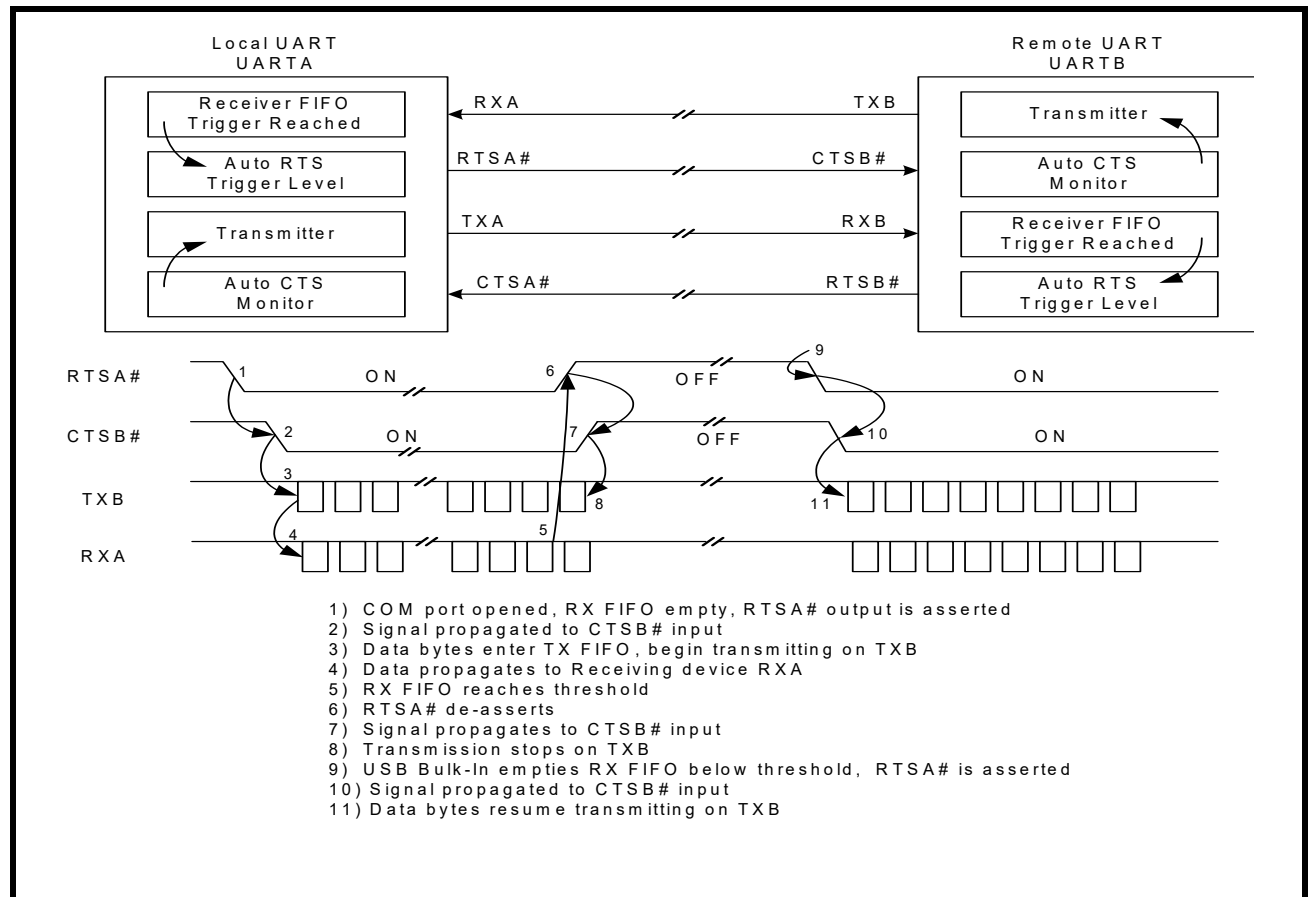
1.5.4 GPIO

Each UART has 6 GPIOs. By hardware default the GPIOs are configured as inputs but may be modified by a custom driver. Additionally, there are several modes that can be enabled to add additional feature such as auto RTS/CTS flow control, auto DTR/DSR flow control or auto RS-485 half duplex control. See [Table 14](#).

1.5.5 Automatic RTS/CTS Hardware Flow Control

GPIO5 and GPIO4 of the UART channel can be enabled as the RTS# and CTS# signals for Auto RTS/CTS flow control when GPIO_MODE[2:0] = '001' and FLOW_CONTROL[2:0] = '001'. Automatic RTS flow control is used to prevent data overrun errors in local RX FIFO by de-asserting the RTS signal to the remote UART. When there is room in the RX FIFO, the RTS pin will be re-asserted. Automatic CTS flow control is used to prevent data overrun to the remote RX FIFO. The CTS# input is monitored to suspend/restart the local transmitter (see [Figure 5](#)):

FIGURE 5. AUTO RTS AND CTS FLOW CONTROL OPERATION



1.5.6 Automatic DTR/DSR Hardware Flow Control

Auto DTR/DSR hardware flow control behaves the same as the Auto RTS/CTS hardware flow control described above except that it uses the DTR# and DSR# signals. For Auto hardware flow control, FLOW_CONTROL[2:0] = '001'. GPIO3 and GPIO2 become DTR# and DSR#, respectively, when GPIO_MODE[2:0] = '010'.

1.5.7 Automatic XON/XOFF Software Flow Control

When software flow control is enabled, the XR21V1412 compares the receive data characters with the programmed Xon or Xoff characters. If the received character matches the programmed Xoff character, the XR21V1412 will halt transmission as soon as the current character has completed transmission. Data transmission is resumed when a received character matches the Xon character. Software flow control is enabled when FLOW_CONTROL[2:0] = '010'.

1.5.8 Auto RS-485 Half-Duplex Control

The Auto RS-485 Half-Duplex Control feature changes the behavior of the GPIO5/RTS#/RS485 pin when enabled by the GPIO_MODE register bits 2-0. See "Section 3.3.12, GPIO_MODE Register Description (Read/Write)" on page 24. The FLOW_CONTROL register must also be set appropriately for use in multidrop applications. See "Section 3.3.6, FLOW_CONTROL Register Description (Read/Write)" on page 21. If enabled, the transmitter automatically asserts the GPIO5/RTS#/RS485 output prior to sending the data. By default, it de-asserts GPIO5/RTS#/RS485 following the last stop bit of the last character that has been transmitted, but the RS485_DELAY register may be used to delay the deassertion. The polarity of the GPIO5/RTS#/RS485 signal may also be modified using the GPIO_MODE register bit 3.

1.5.9 Multidrop Mode with address matching

The XR21V1412 device has two address matching modes which are also set by the flow control register using modes 3 and 4. These modes are intended for a multi-drop network application. In these modes, the XON_CHAR register holds a unicast address and the XOFF_CHAR holds a multicast address. A unicast address is used by a transmitting master to broadcast an address to all attached slave devices that is intended for only one slave device. A multicast address is used to broadcast an address intended for more than one recipient device. Each attached slave device should have a unique unicast address value stored in the XON_CHAR register, while multiple slaves may have the same multicast address stored in the XOFF_CHAR register. An address match occurs when an address byte (9th bit or parity bit is '1') is received that matches the value stored in either the XON_CHAR or XOFF_CHAR register.

1.5.9.1 Receiver

If an address match occurs in either flow control mode 3 or 4, the address byte will not be loaded into the RX FIFO, but all subsequent data bytes will be loaded into the RX FIFO. The UART Receiver will automatically be disabled when an address byte is received that does not match the values in the XON_CHAR or XOFF_CHAR register.

1.5.9.2 Transmitter

In flow control mode 3, the UART transmitter is always enabled, irrespective of the Rx address match. In flow control mode 4, the UART transmitter will only be enabled if there is an Rx address match.

1.5.10 Programmable Turn-Around Delay

By default, the GPIO5/RTS#/RS485 pin will be de-asserted immediately after the stop bit of the last byte has been shifted when auto RS-485 half-duplex control is enabled by the GPIO_MODE register. However, this may not be ideal for systems where the signal needs to propagate over long cables. Therefore, the de-assertion of GPIO5/RTS#/RS485 pin can be delayed from 1 to 15 bit times via the RS485_DELAY register to allow for the data to reach distant UARTs.

1.5.11 Half-Duplex Mode

Half-duplex mode is enabled when FLOW_CONTROL[3] = 1. In this mode, the UART will ignore any data on the RX input when the UART is transmitting data.

1.5.12 USB Suspend

All USB peripheral devices must support the USB suspend mode. Per USB standard, the XR21V1412 device will begin to enter the Suspend state if it does not detect any activity (including Start of Frame or SOF packets) on its USB data lines for 3 ms. The device must then reduce power consumption from VBUS power within the next 7 ms to the allowed limit of 2.5 mA for the suspended state. Note that in this context, the "device" is all circuitry (including the XR21V1412) that draws power from the host VBUS.

1.5.13 Remote Wakeup

When the XR21V1412 is suspended, the GPIO0/RI#/RWK# pin can be used to request that the host exit the Suspend state. A high to low transition on this pin will cause the device to signal a remote wakeup request to the host via a custom driver. Note that the standard CDC-ACM driver does not support this feature. In order for the remote wakeup to work, several things must be properly configured. First, the GPIO0/RI# pin must be configured as an input. Additionally, the XR21V1412 device must have the remote wakeup feature support indicated in the USB attributes - See ["Section 1.3, I2C Interface" on page 8](#). Lastly, the software driver must inform the USB host that the peripheral device supports the remote wake-up feature.

2.0 USB CONTROL COMMANDS

The following table shows all of the USB Control Commands that are supported by the XR21V1412. Commands included are standard USB commands, CDC-ACM commands and custom Exar commands. .

TABLE 4: SUPPORTED USB CONTROL COMMANDS

| NAME | REQUEST TYPE | REQUEST | VALUE | | INDEX | | LENGTH | | DESCRIPTION |
|--|--------------|---------|-------|----|-----------------|------|------------|------------|---|
| DEV GET_STATUS | 0x80 | 0 | 0 | 0 | 0 | 0 | 2 | 0 | Device: remote wake-up + self-powered |
| IF GET_STATUS | 0x81 | 0 | 0 | 0 | 1-4, 129-132 | 0 | 2 | 0 | Interface: zero |
| EP GET_STATUS | 0x82 | 0 | 0 | 0 | 0-4, 129-136 | 0 | 2 | 0 | Endpoint: halted |
| DEV CLEAR_FEATURE | 0x00 | 1 | 1 | 0 | 0 | 0 | 0 | 0 | Device remote wake-up |
| EP CLEAR_FEATURE | 0x02 | 1 | 0 | 0 | 0-4, 129-136 | 0 | 0 | 0 | Endpoint halt |
| DEV SET_FEATURE | 0x00 | 3 | 1 | 00 | 0 | 0 | 0 | 0 | Device remote wake-up |
| DEV SET_FEATURE | 0x00 | 3 | 2 | 0 | 0 | test | 0 | 0 | Test mode |
| EP SET_FEATURE | 0x02 | 3 | 0 | 0 | 0-4, 129-136 | 0 | 0 | 0 | Endpoint halt |
| SET_ADDRESS | 0x00 | 5 | addr | 0 | 0 | 0 | 0 | 0 | |
| GET_DESCRIPTOR | 0x80 | 6 | 0 | 1 | 0 | 0 | len LSB | len MSB | Device descriptor |
| GET_DESCRIPTOR | 0x80 | 6 | 0 | 2 | 0 | 0 | len LSB | len MSB | Configuration descriptor |
| GET_CONFIGURATION | 0x80 | 8 | 0 | 0 | 0 | 0 | 1 | 0 | |
| SET_CONFIGURATION | 0x00 | 9 | n | 0 | 0 | 0 | 0 | 0 | |
| GET_INTERFACE | 0x81 | 10 | 0 | 0 | 0-7 | 0 | 1 | 0 | |
| CDC_ACM_IF SET_LINE_CODING | 0x21 | 32 | 0 | 0 | 0, 2, 4, 6 | 0 | 7 | 0 | Set the UART baud rate, parity, stop bits, etc. |
| CDC_ACM_IF GET_LINE_CODING | 0xA1 | 33 | 0 | 0 | 0, 2, 4, 6 | 0 | 7 | 0 | Get the UART baud rate, parity, stop bits, etc. |
| CDC_ACM_IF SET_- CONTROL_LINE_ STATE | 0x21 | 34 | val | 0 | 0, 2, 4, 6 | 0 | 0 | 0 | Set UART control lines |

TABLE 4: SUPPORTED USB CONTROL COMMANDS

| NAME | REQUEST TYPE | REQUEST | VALUE | | INDEX | | LENGTH | | DESCRIPTION |
|--------------------------|--------------|---------|------------|------------|---------------|-------|--------------|--------------|--|
| | | | val LSB | val MSB | 0, 2, 4, 6 | 0 | 0 | 0 | |
| CDC_ACM_IF SEND_BREAK | 0x21 | 35 | val LSB | val MSB | 0, 2, 4, 6 | 0 | 0 | 0 | Send a break for the specified duration |
| XR_SET_REG | 0x40 | 0 | val | 0 | regis- ter | block | 0 | 0 | Exar custom command: set one 8-bit register val: 8-bit register value register address: see Table 7 block number: see Table 5 |
| XR_GETN_REG | 0xC0 | 1 | 0 | 0 | regis- ter | block | count LSB | count MSB | Exar custom register: get count 8-bit registers register address: see Table 7 block number: see Table 5 |

2.1 UART Block Numbers

The table below lists the block numbers for accessing each of the UART channels and the UART Manager..

TABLE 5: CONTROL BLOCKS

| BLOCK NAME | BLOCK NUMBER | DESCRIPTION |
|----------------|--------------|--|
| UART Channel A | 0 | The configuration and control registers for UART channel A. |
| UART Channel B | 1 | The configuration and control registers for UART channel B. |
| UART Manager | 4 | The control registers for the UART Manager. The UART Manager enables/disables the TX and RX FIFOs for each UART. |
| I2C EEPROM | 0x65 | Accesses external EEPROM via I2C interface. |
| UART Custom | 0x66 | Custom UART control registers. Enables / disables for wide mode, low latency mode and custom interrupt packet. |

3.0 REGISTER SET DESCRIPTION

The internal register set of the XR21V1412 consists of 3 different blocks of registers: the UART Manager, UART registers and UART miscellaneous registers. The UART Manager controls the TX and RX enables and FIFOs of all UART channels. The UART registers configure and control the remaining UART channel functionality with the exception of low latency mode, wide mode and custom interrupt packet enables in the UART custom register block.

Registers are accessed only via the USB interface by the XR_SET_REG and XR_GET_REG commands listed in [Table 4](#). The register address offsets are given in [Table 6](#), [Table 7](#) and [Table 15](#), and the register blocks are given in [Table 5](#).

3.1 UART Manager Registers

TABLE 6: UART MANAGER REGISTERS

| ADDRESS | REGISTER NAME | BIT-7 | BIT-6 | BIT-5 | BIT-4 | BIT-3 | BIT-2 | BIT-1 | BIT-0 |
|---------|-------------------|-------|-------|-------|-------|-------|-------|-------|-------|
| 0X10 | FIFO_ENABLE_CHA | 0 | 0 | 0 | 0 | 0 | 0 | RX | TX |
| 0X11 | FIFO_ENABLE_CHB | 0 | 0 | 0 | 0 | 0 | 0 | RX | TX |
| 0X18 | RX_FIFO_RESET_CHA | Bit-7 | Bit-6 | Bit-5 | Bit-4 | Bit-3 | Bit-2 | Bit-1 | Bit-0 |
| 0X19 | RX_FIFO_RESET_CHB | Bit-7 | Bit-6 | Bit-5 | Bit-4 | Bit-3 | Bit-2 | Bit-1 | Bit-0 |
| 0x1C | TX_FIFO_RESET_CHA | Bit-7 | Bit-6 | Bit-5 | Bit-4 | Bit-3 | Bit-2 | Bit-1 | Bit-0 |
| 0x1D | TX_FIFO_RESET_CHB | Bit-7 | Bit-6 | Bit-5 | Bit-4 | Bit-3 | Bit-2 | Bit-1 | Bit-0 |

3.1.1 FIFO_ENABLE Registers

Enables the RX FIFO and TX FIFOs. For proper functionality, the UART TX and RX must be enabled in the following order:

```
FIFO_ENABLE_CHx = 0x1    // Enable TX FIFO
UART_ENABLE = 0x3       // Enable TX and RX of that channel
FIFO_ENABLE_CHx = 0x3    // Enable RX FIFO
```

3.1.2 RX_FIFO_RESET and TX_FIFO_RESET Registers

Writing a non-zero value to these registers resets the FIFOs.

3.2 UART Register Map
TABLE 7: UART REGISTERS

| ADDRESS | REGISTER NAME | BIT-7 | BIT-6 | BIT-5 | BIT-4 | BIT-3 | BIT-2 | BIT-1 | BIT-0 |
|---------|------------------|--------------|---------------|--------------|---------------|----------------|--------------------------|--------|--------|
| 0X00 | Reserved | 0 | 0 | 0 | 0 | 0 | 0 | 0 | 0 |
| 0X01 | Reserved | 0 | 0 | 0 | 0 | 0 | 0 | 0 | 0 |
| 0X02 | Reserved | 0 | 0 | 0 | 0 | 0 | 0 | 0 | 0 |
| 0X03 | UART_ENABLE | 0 | 0 | 0 | 0 | 0 | 0 | RX | TX |
| 0X04 | CLOCK_DIVISOR0 | Bit-7 | Bit-6 | Bit-5 | Bit-4 | Bit-3 | Bit-2 | Bit-1 | Bit-0 |
| 0x05 | CLOCK_DIVISOR1 | Bit-15 | Bit-14 | Bit-13 | Bit-12 | Bit-11 | Bit-10 | Bit-9 | Bit-8 |
| 0x06 | CLOCK_DIVISOR2 | 0 | 0 | 0 | 0 | 0 | Bit-18 | Bit-17 | Bit-16 |
| 0x07 | TX_CLOCK_MASK0 | Bit-7 | Bit-6 | Bit-5 | Bit-4 | Bit-3 | Bit-2 | Bit-1 | Bit-0 |
| 0x08 | TX_CLOCK_MASK1 | Bit-15 | Bit-14 | Bit-13 | Bit-12 | Bit-11 | Bit-10 | Bit-9 | Bit-8 |
| 0x09 | RX_CLOCK_MASK0 | Bit-7 | Bit-6 | Bit-5 | Bit-4 | Bit-3 | Bit-2 | Bit-1 | Bit-0 |
| 0x0A | RX_CLOCK_MASK1 | Bit-15 | Bit-14 | Bit-13 | Bit-12 | Bit-11 | Bit-10 | Bit-9 | Bit-8 |
| 0x0B | CHARACTER_FORMAT | Stop | Parity | | | Data Bits | | | |
| 0x0C | FLOW_CONTROL | 0 | 0 | 0 | 0 | Half-Duplex | Flow Control Mode Select | | |
| 0x0D | Reserved | 0 | 0 | 0 | 0 | 0 | 0 | 0 | 0 |
| 0x0E | Reserved | 0 | 0 | 0 | 0 | 0 | 0 | 0 | 0 |
| 0x0F | Reserved | 0 | 0 | 0 | 0 | 0 | 0 | 0 | 0 |
| 0x10 | XON_CHAR | Bit-7 | Bit-6 | Bit-5 | Bit-4 | Bit-3 | Bit-2 | Bit-1 | Bit-0 |
| 0x11 | XOFF_CHAR | Bit-7 | Bit-6 | Bit-5 | Bit-4 | Bit-3 | Bit-2 | Bit-1 | Bit-0 |
| 0x12 | LOOPBACK_CTL | 0 | 0 | 0 | 0 | 0 | En | 0 | Chan |
| 0x13 | ERROR_STATUS | Break Status | Overrun Error | Parity Error | Framing Error | Break Error | 0 | 0 | 0 |
| 0x14 | TX_BREAK | Bit-7 | Bit-6 | Bit-5 | Bit-4 | Bit-3 | Bit-2 | Bit-1 | Bit-0 |
| 0x15 | RS485_DELAY | 0 | 0 | 0 | 0 | Delay | | | |
| 0x16 | Reserved | 0 | 0 | 0 | 0 | 0 | 0 | 0 | 0 |
| 0x17 | Reserved | 0 | 0 | 0 | 0 | 0 | 0 | 0 | 0 |
| 0x18 | Reserved | 0 | 0 | 0 | 0 | 0 | 0 | 0 | 0 |
| 0x19 | Reserved | 0 | 0 | 0 | 0 | 0 | 0 | 0 | 0 |
| 0x1A | GPIO_MODE | 0 | 0 | 0 | 0 | RS485 Polarity | Mode Select | | |
| 0x1B | GPIO_DIRECTION | 0 | 0 | GPIO5 | GPIO4 | GPIO3 | GPIO2 | GPIO1 | GPIO0 |
| 0x1C | GPIO_INT_MASK | 0 | 0 | GPIO5 | GPIO4 | GPIO3 | GPIO2 | GPIO1 | GPIO0 |
| 0x1D | GPIO_SET | 0 | 0 | GPIO5 | GPIO4 | GPIO3 | GPIO2 | GPIO1 | GPIO0 |
| 0x1E | GPIO_CLEAR | 0 | 0 | GPIO5 | GPIO4 | GPIO3 | GPIO2 | GPIO1 | GPIO0 |
| 0x1F | GPIO_STATUS | 0 | 0 | GPIO5 | GPIO4 | GPIO3 | GPIO2 | GPIO1 | GPIO0 |

3.3 UART Register Descriptions

All register bits default to a value of '0' unless otherwise noted.

3.3.1 UART_ENABLE Register Description (Read/Write)

This register enables the UART TX and RX. For proper functionality, the UART TX and RX must be enabled in the following order:

```
FIFO_ENABLE_CHx = 0x1    // Enable TX FIFO
UART_ENABLE = 0x3       // Enable TX and RX of that channel
FIFO_ENABLE_CHx = 0x3    // Enable RX FIFO
```

UART_ENABLE[0]: Enable UART TX

- Logic 0 = UART TX disabled.
- Logic 1 = UART TX enabled.

UART_ENABLE[1]: Enable UART RX

- Logic 0 = UART RX disabled.
- Logic 1 = UART RX enabled.

UART_ENABLE[7:2]: Reserved

These bits are reserved and should remain '0'.

3.3.2 CLOCK_DIVISOR0, CLOCK_DIVISOR1, CLOCK_DIVISOR2 Register Description (Read/Write)

These registers are used for programming the baud rate. The XR21V1412 uses a 19-bit divisor and 16-bit mask register. Using the internal 48MHz oscillator, the 19-bit divisor is calculated as follows:

$$\text{CLOCK_DIVISOR} = \text{Trunc} (48000000 / \text{Baud Rate})$$

For example, if the the baud rate is 115200bps, then

$$\text{CLOCK_DIVISOR} = \text{Trunc} (48000000 / 115200) = \text{Trunc} (416.66667) = 416$$

CLOCK_DIVISOR0[7:0]: Baud rate clock divisor bits [7:0]

CLOCK_DIVISOR1[7:0]: Baud rate clock divisor bits [15:8]

CLOCK_DIVISOR2[2:0]: Baud rate clock divisor bits [18:16]

CLOCK_DIVISOR2[7:3]: Reserved

These bits are reserved and should remain '0'.

3.3.3 TX_CLOCK_MASK0, TX_CLOCK_MASK1 Register Description (Read/Write)

A look-up table is used for the value of the 16-bit TX Clock mask registers. The index of the look-up table is calculated as follows:

$$\text{index} = \text{Trunc} (((48000000 / \text{Baud Rate}) - \text{CLOCK_DIVISOR}) * 32)$$

For example, if the baud rate is 115200bps, then the index will be:

$$\text{index} = \text{Trunc} (((48000000 / 115200) - 416) * 32) = \text{Trunc} (21.3333) = 21$$

The values for some baud rates to program the TX_CLOCK_MASK registers are listed in [Table 8](#). For baud rates that are not listed, use the index to select TX_CLOCK_MASK register values from [Table 9](#).

3.3.4 RX_CLOCK_MASK0, RX_CLOCK_MASK1 Register Description (Read/Write)

The values for some baud rates to program the RX_CLOCK_MASK registers are listed in [Table 8](#). For baud rates that are not listed, use the same index calculated for the TX_CLOCK_MASK register to select RX_CLOCK_MASK register values from [Table 9](#).

TABLE 8: CLOCK DIVISOR AND CLOCK MASK VALUES FOR COMMON BAUD RATES

| BAUD RATE (BPS) | CLOCK DIVISOR (DECIMAL) | TX CLOCK MASK (HEX) | RX CLOCK MASK (HEX) |
|-----------------|-------------------------|---------------------|---------------------|
| 1200 | 40000 | 0x0000 | 0x0000 |
| 2400 | 20000 | 0x0000 | 0x0000 |
| 4800 | 10000 | 0x0000 | 0x0000 |
| 9600 | 5000 | 0x0000 | 0x0000 |
| 19200 | 2500 | 0x0000 | 0x0000 |
| 38400 | 1250 | 0x0000 | 0x0000 |
| 57600 | 833 | 0x0912 | 0x0924 |
| 115200 | 416 | 0x0B6D | 0x0B6A |
| 230400 | 208 | 0x0912 | 0x0924 |
| 460800 | 104 | 0x0208 | 0x0040 |
| 500000 | 96 | 0x0000 | 0x0000 |
| 576000 | 83 | 0x0912 | 0x0924 |
| 921600 | 52 | 0x0040 | 0x0000 |
| 1000000 | 48 | 0x0000 | 0x0000 |
| 1152000 | 41 | 0x0B6D | 0x0DB6 |
| 1500000 | 32 | 0x0000 | 0x0000 |
| 2000000 | 24 | 0x0000 | 0x0000 |
| 2500000 | 19 | 0x0104 | 0x0108 |
| 3000000 | 16 | 0x0000 | 0x0000 |
| 3125000 | 15 | 0x0492 | 0x0492 |
| 3500000 | 13 | 0x076D | 0x0BB6 |
| 4000000 | 12 | 0x0000 | 0x0000 |
| 4250000 | 11 | 0x0122 | 0x0224 |
| 6250000 | 7 | 0x0B6D | 0x0DB6 |
| 8000000 | 6 | 0x0000 | 0x0000 |
| 12000000 | 4 | 0x0000 | 0x0000 |

For baud rates that are not listed in the table above, use the index value calculated using the formula in ["Section 3.3.3, TX_CLOCK_MASK0, TX_CLOCK_MASK1 Register Description \(Read/Write\)"](#) on page 18 to determine which TX Clock and RX Clock Mask register values to use from [Table 9](#). For the the RX Clock Mask register, there are 2 values listed and would depend on whether the Clock Divisor is even or odd. For even Clock Divisors, use the value from the first column. For odd Clock Divisors, use the value from the last column.

TABLE 9: TX AND RX CLOCK MASK VALUES

| INDEX (DECIMAL) | TX CLOCK MASK (HEX) | RX CLOCK MASK (HEX) - EVEN CLOCK DIVISOR | RX CLOCK MASK (HEX) - ODD CLOCK DIVISOR |
|--------------------|---------------------|---|--|
| 0 | 0x0000 | 0x0000 | 0x0000 |
| 1 | 0x0000 | 0x0000 | 0x0000 |
| 2 | 0x0100 | 0x0000 | 0x0100 |
| 3 | 0x0020 | 0x0400 | 0x0020 |
| 4 | 0x0010 | 0x0100 | 0x0010 |
| 5 | 0x0208 | 0x0040 | 0x0208 |
| 6 | 0x0104 | 0x0820 | 0x0108 |
| 7 | 0x0844 | 0x0210 | 0x0884 |
| 8 | 0x0444 | 0x0110 | 0x0444 |
| 9 | 0x0122 | 0x0888 | 0x0224 |
| 10 | 0x0912 | 0x0448 | 0x0924 |
| 11 | 0x0492 | 0x0248 | 0x0492 |
| 12 | 0x0252 | 0x0928 | 0x0292 |
| 13 | 0x094A | 0x04A4 | 0x0A52 |
| 14 | 0x052A | 0x0AA4 | 0x054A |
| 15 | 0x0AAA | 0x0954 | 0x04AA |
| 16 | 0x0AAA | 0x0554 | 0x0AAA |
| 17 | 0x0555 | 0x0AD4 | 0x05AA |
| 18 | 0x0B55 | 0x0AB4 | 0x055A |
| 19 | 0x06B5 | 0x05AC | 0x0B56 |
| 20 | 0x05B5 | 0x0D6C | 0x06D6 |
| 21 | 0x0B6D | 0x0B6A | 0x0DB6 |
| 22 | 0x076D | 0x06DA | 0x0BB6 |
| 23 | 0x0EDD | 0x0DDA | 0x076E |
| 24 | 0x0DDD | 0x0BBA | 0x0EEE |
| 25 | 0x07BB | 0x0F7A | 0x0DDE |
| 26 | 0x0F7B | 0x0EF6 | 0x07DE |
| 27 | 0x0DF7 | 0x0BF6 | 0x0F7E |
| 28 | 0x07F7 | 0x0FEE | 0x0EFE |
| 29 | 0x0FDF | 0x0FBE | 0x07FE |
| 30 | 0x0F7F | 0x0EFE | 0x0FFE |
| 31 | 0x0FFF | 0x0FFE | 0x0FFD |

3.3.5 CHARACTER_FORMAT Register Description (Read/Write)

This register controls the character format such as the word length (7, 8 or 9), parity (odd, even, forced '0', or forced '1') and number of stop bits (1 or 2).

CHARACTER_FORMAT[3:0]: Data Bits.

TABLE 10: DATA BITS

| DATA BITS | CHARACTER_FORMAT[3:0] |
|-----------|-----------------------|
| 7 | 0111 |
| 8 | 1000 |
| 9 | 1001 |

All other values for CHARACTER_FORMAT[3:0] are reserved.

CHARACTER_FORMAT[6:4]: Parity Mode Select

These bits select the parity mode. If 9-bit data mode has been selected, then writing to these bits will not have any effect. In other words, there will not be an additional parity bit.

TABLE 11: PARITY SELECTION

| BIT-6 | BIT-5 | BIT-4 | PARITY SELECTION |
|-------|-------|-------|----------------------------|
| 0 | 0 | 0 | No parity |
| 0 | 0 | 1 | Odd parity |
| 0 | 1 | 0 | Even parity |
| 0 | 1 | 1 | Force parity to mark, "1" |
| 1 | 0 | 0 | Force parity to space, "0" |

CHARACTER_FORMAT[7]: Stop Bit select

This register selects the number of stop bits to add to the transmitted character and how many stop bits to check for in the received character.

TABLE 12: STOP BIT SELECTION

| BIT-7 | NUMBER OF STOP BITS |
|-------|---------------------|
| 0 | 1 stop bit |
| 2 | 2 stop bits |

3.3.6 FLOW_CONTROL Register Description (Read/Write)

These registers select the flow control mode. These registers should only be written to when the UART is disabled. Writing to the FLOW_CONTROL register when the UART is enabled will result in undefined behavior. Note that the FLOW_CONTROL register settings are used in conjunction with the GPIO_MODE register.

FLOW_CONTROL[2:0]: Flow control mode select**TABLE 13: FLOW CONTROL MODE SELECTION**

| MODE | BIT-2 | BIT-1 | BIT-0 | MODE DESCRIPTION |
|------|-------|-------|-------|---|
| 0 | 0 | 0 | 0 | No flow control, no address matching. |
| 1 | 0 | 0 | 1 | HW flow control enabled. Auto RTS/CTS or DTR/DSR must be selected by GPIO_MODE. |
| 2 | 0 | 1 | 0 | SW flow control enabled |
| 3 | 0 | 1 | 1 | Multidrop mode - RX only after address match, TX independent. (Typically used with GPIO_MODE 3) |
| 4 | 1 | 0 | 0 | Multidrop mode - RX / TX only after address match. (Typically used with GPIO_MODE 4) |

FLOW_CONTROL[3]: Half-Duplex Mode

- Logic 0 = Normal (full-duplex) mode. The UART can transmit and receive data at the same time.
- Logic 1 = Half-duplex Mode. In half-duplex mode, any data on the RX pin is ignored when the UART is transmitting data.

FLOW_CONTROL[7:4]: Reserved

These bits are reserved and should remain '0'.

3.3.7 XON_CHAR, XOFF_CHAR Register Descriptions (Read/Write)

The XON_CHAR and XOFF_CHAR registers store the XON and XOFF characters, respectively, that are used in the Automatic Software Flow control. If the XR21V1412 is configured in multidrop mode, the XON_CHAR and XOFF_CHAR registers are instead used for address matching.

XON_CHAR[7:0]: XON Character

In Automatic Software Flow control mode, the UART will resume data transmission when the XON character has been received.

For behavior in the Address Match mode, see [“Section 1.5.9, Multidrop Mode with address matching” on page 12.](#)

XOFF_CHAR[7:0]: XOFF Character

In Automatic Software Flow control mode, the UART will suspend data transmission when the XOFF character has been received.

For behavior in the Address Match mode, see [“Section 1.5.9, Multidrop Mode with address matching” on page 12.](#)

3.3.8 LOOPBACK_CTL Register Descriptions (Read/Write)**LOOPBACK_CTL[0]: Channel**

- Logic 0 = UART Channel A
- Logic 1 = UART Channel B

LOOPBACK_CTL[1]: Reserved

This bit is reserved and should remain '0'.

LOOPBACK_CTL[2]: Enable

- Logic 0 = Internal UART (TX to RX) loopback is disabled.
- Logic 1 = Internal UART (TX to RX) loopback is enabled for channel selected by LOOPBACK_CTL[0]

LOOPBACK_CTL[7:3]: Reserved

These bits are reserved and should remain '0'.

3.3.9 ERROR_STATUS Register Description - Read-only

This register reports any errors that may have occurred on the line such as framing, parity and overrun as well as break status.

ERROR_STATUS[2:0]: Reserved

These bits are reserved. Any values read from these bits should be ignored.

ERROR_STATUS[3]: Break status

- Logic 0 = No break condition
- Logic 1 = A break condition has been detected (clears after read).

ERROR_STATUS[4]: Framing Error

- Logic 0 = No framing error
- Logic 1 = A framing error has been detected (clears after read). A framing error occurs when a stop bit is not present when it is expected.

ERROR_STATUS[5]: Parity Error

- Logic 0 = No parity error
- Logic 1 = A parity error has been detected (clears after read).

ERROR_STATUS[6]: Overrun Error

- Logic 0 = No overrun error
- Logic 1 = An overrun error has been detected (clears after read). An overrun error occurs when the RX FIFO is full and another byte of data is received.

ERROR_STATUS[7]: Break Status

- Logic 0 = Break condition is no longer present.
- Logic 1 = Break condition is currently being detected.

3.3.10 TX_BREAK Register Description (Read/Write)

Writing a non-zero value to this register causes a break condition to be generated continuously until the register is cleared. If data is being shifted out of the TX pin, the data will be completely shifted out before the break condition is generated.

3.3.11 RS485_DELAY Register Description (Read/Write)

RS485_DELAY[3:0]: Turn-around delay

This is the number of bit times the XR21V1412 waits before de-asserting the GPIO5/RTS#/RS485 pin when it is configured for automatic RS-485 half-duplex control.

RS485_DELAY[7:4]: Reserved

These bits are reserved and should be '0'.

3.3.12 GPIO_MODE Register Description (Read/Write)

GPIO_MODE[2:0]: GPIO Mode Select

There are 4 modes of operation for the GPIOs. The descriptions can be found in ["Section 1.5, UART" on page 9](#).

TABLE 14: GPIO MODES

| BITS [2:0] | GPIO0 | GPIO1 | GPIO2 | GPIO3 | GPIO4 | GPIO5 | MODE DESCRIPTION |
|------------|-------|-------|-------|-------|-------|-------|---|
| 000 | GPIO0 | GPIO1 | GPIO2 | GPIO3 | GPIO4 | GPIO5 | GPIO Mode, All GPIO pins available as GPIO |
| 001 | GPIO0 | GPIO1 | GPIO2 | GPIO3 | CTS# | RTS# | GPIO4 and GPIO5 used for Auto RTS/CTS HW Flow Control |
| 010 | GPIO0 | GPIO1 | DSR# | DTR# | GPIO4 | GPIO5 | GPIO2 and GPIO3 used for Auto DTR/DSR HW Flow Control |
| 011 | GPIO0 | GPIO1 | GPIO2 | GPIO3 | GPIO4 | RS485 | GPIO5 used for auto RS-485 half-duplex control |
| 100 | GPIO0 | GPIO1 | GPIO2 | GPIO3 | GPIO4 | RS485 | GPIO5 used for auto RS-485 half-duplex control after address match (See FLOW_CONTROL mode 4). |

GPIO_MODE[3]: RS485 Polarity

- Logic 0 = GPIO5/RTS#/RS485 Low for TX
- Logic 1 = GPIO5/RTS#/RS485 High for TX

GPIO_MODE[7:4]: Reserved

These register bits are reserved. When writing to these bits, the value should be '0'. When reading from these bits, they are undefined and should be ignored.

3.3.13 GPIO_DIRECTION Register Description (Read/Write)

This register controls the direction of pins configured as GPIO. (Pins configured for UART functions via the GPIO_MODE register, e.g. RTS# are not controlled or reported in the GPIO_DIRECTION register.)

GPIO_DIRECTION[5:0]: GPIOx Direction

- Logic 0 = GPIOx is an input.
- Logic 1 = GPIOx is an output.

GPIO_DIRECTION[7:6]: Reserved

These register bits are reserved and should be '0'.

3.3.14 GPIO_INT_MASK Register Description (Read/Write)

Enables / disables generation of a USB interrupt packet at the change of state of GPIO pins when they are configured as inputs.

GPIO_INT_MASK[5:0]: GPIOx Interrupt Mask

- Logic 0 = A change on this input does not cause the device to generate an interrupt packet.
- Logic 1 = A change on this input causes the device to generate an interrupt packet.

GPIO_INT_MASK[7:6]: Reserved

These register bits are reserved and should be '0'.

3.3.15 GPIO_SET Register Description (Read/Write)

Writing a '1' to the corresponding GPIO bit (5:0) of this register drives the GPIO output high. Writing a '0' to a bit has no effect. Bits 7-6 are unused and should be '0'.

3.3.16 GPIO_CLEAR Register Description (Read/Write)

Writing a '1' to the corresponding GPIO bit (5:0) of this register drives the GPIO output low. Writing a '0' to a bit has no effect. Bits 7-6 are unused and should be '0'.

3.3.17 GPIO_STATUS Register Description (Read-Only)

This register reports the current state of the GPIO pin.

3.4 UART Custom Registers

TABLE 15: UART CUSTOM REGISTERS

| ADDRESS | REGISTER NAME | BIT-7 | BIT-6 | BIT-5 | BIT-4 | BIT-3 | BIT-2 | BIT-1 | BIT-0 |
|---------|-------------------------------|-------|-------|-------|-------|-------|-------|-------------|---------|
| 0X03 | UART CHAN A CUSTOM | 0 | 0 | 0 | 0 | 0 | 0 | MaxPkt-Size | WIDE_EN |
| 0X04 | UART CHAN A LOW_LATENCY | 0 | 0 | 0 | 0 | 0 | 0 | 0 | EN |
| 0X06 | UART CHAN A CUSTOM_INT_PACKET | 0 | GPIO5 | GPIO4 | GPIO3 | GPIO0 | 0 | GPIO2 | GPIO1 |
| 0X0B | UART CHAN B CUSTOM | 0 | 0 | 0 | 0 | 0 | 0 | MaxPkt-Size | WIDE_EN |
| 0X0C | UART CHAN B LOW_LATENCY | 0 | 0 | 0 | 0 | 0 | 0 | 0 | EN |
| 0X0E | UART CHAN B CUSTOM_INT_PACKET | 0 | GPIO5 | GPIO4 | GPIO3 | GPIO0 | 0 | GPIO2 | GPIO1 |

3.4.1 CUSTOM Register Description - Chan A / B (Read/Write)

This register enables the Wide mode functionality for the UART.

CUSTOM[0]: Enable wide mode

- Logic 0 = Normal (7, 8 or 9 bit data) mode
- Logic 1 = Wide mode - [“Section 1.5.1.1, Wide Mode Transmit” on page 9](#), [“Section 1.5.2.3, Wide mode receive operation with 7 or 8-bit data” on page 10](#) and [“Section 1.5.2.4, Wide mode receive operation with 9-bit data” on page 10](#).

CUSTOM[1]: Max Packet Size

- Logic 0 = bMaxPacketSize = 64 bytes

Logic 1 = bMaxPacketSize = 63 bytes (this bit is automatically set to '1' if the XR21V1412 receives a CDC_ACM USB command)

CUSTOM[7:2]: Reserved

These bits are reserved and should remain '0'.

3.4.2 LOW_LATENCY Register Description - Chan A / B (Read/Write)

This register is automatically set to logic '1' for baud rates below 46921 bps, and can be manually set for baud rates of 46921 bps and higher. This register enables the Low latency feature of the UART. Write to this register following any desired baud rate setting change.

LOW_LATENCY[0]: Enable Low Latency mode

- Logic 0 = Receive data is not forwarded from the Rx FIFO until bMaxPacketSize (64 bytes) or timeout (3 characters) has occurred.
- Logic 1 = All data in the RX FIFO is provided to the USB host at the next BULK IN request irrespective of the number of bytes in the FIFO.

LOW_LATENCY[7:1]: Reserved

These bits are reserved and should remain '0'.

3.4.3 CUSTOM_INT_PACKET - Chan A / B (Read/Write)

This register is used to enable / disable GPIO status in the high data byte of the custom interrupt packet. See [Table 16, "Interrupt Packet Format," on page 27](#) and [Table 18, "Data Field of Customized Interrupt Packet - Exar Vendor Specific," on page 28](#).

CUSTOM_INT_PACKET[0]: GPIO1

- Logic 0 = Disable GPIO1 status in custom interrupt packet.
- Logic 1 = Enable GPIO1 status in custom interrupt packet.

CUSTOM_INT_PACKET[1]: GPIO2

- Logic 0 = Disable GPIO2 status in custom interrupt packet.
- Logic 1 = Enable GPIO2 status in custom interrupt packet.

CUSTOM_INT_PACKET[2]: Reserved

- This bit is reserved and should remain '0'.

CUSTOM_INT_PACKET[3]: GPIO0

- Logic 0 = Disable GPIO0 status in custom interrupt packet.
- Logic 1 = Enable GPIO0 status in custom interrupt packet.

CUSTOM_INT_PACKET[4]: GPIO3

- Logic 0 = Disable GPIO3 status in custom interrupt packet.
- Logic 1 = Enable GPIO3 status in custom interrupt packet.

CUSTOM_INT_PACKET[5]: GPIO4

- Logic 0 = Disable GPIO4 status in custom interrupt packet.
- Logic 1 = Enable GPIO4 status in custom interrupt packet.

CUSTOM_INT_PACKET[6]: GPIO5

- Logic 0 = Disable GPIO5 status in custom interrupt packet.
- Logic 1 = Enable GPIO5 status in custom interrupt packet.

CUSTOM_INT_PACKET[7]: Reserved

This bit is reserved and should remain '0'.

TABLE 16: INTERRUPT PACKET FORMAT

| OFFSET | FIELD | SIZE (BYTES) | VALUE | DESCRIPTION |
|--------|---------------|--------------|---|---|
| 0 | bmRequestType | 1 | 8'b10100001 | D7 = Device-to-host direction D6:5 = Class Type D4-0: = Interface Recipient |
| 1 | bNotification | 1 | 8'h20 | Defined encoding for SERIAL_STATE |
| 2 | wValue | 2 | 16'h0000 | |
| 4 | wIndex | 2 | 16'h0000 | D15-8 = Reserved (0) D7-0 = Interface number, 8'h00 for the CDC Command Interface |
| 6 | wLength | 2 | 16'h0002 | 2 bytes of transferred data |
| 8 | Data | 2 | Standard int_status (See Table 17 or Table 18) | D15-7 = Reserved (0) D6 = bOverRun D5 = bParity D4 = bFraming D3 = bRingSignal (RI) D2 = bBreak D1 = bTxCarrier (DSR) D0 = bRxCarrier (CD) |

TABLE 17: DATA FIELD OF STANDARD INTERRUPT PACKET

| BIT(S) | FIELD | DESCRIPTION |
|---------|-------------|--|
| D15..D7 | | Reserved (0) |
| D6 | bOverRun | Received data has been discarded due to overrun in the device. |
| D5 | bParity | A parity error has occurred. |
| D4 | bFraming | A framing error has occurred. |
| D3 | bRingSignal | State of ring signal detection of the device. |
| D2 | bBreak | State of break detection mechanism of the device. |
| D1 | bTxCarrier | State of transmission carrier. This signal corresponds to V.24 signal 106 and RS-232 signal DSR. |
| D0 | bRxCarrier | State of receiver carrier detection mechanism of device. This signal corresponds to V.24 signal 109 and RS-232 signal DCD. |

If the Exar vendor specific packet mapping is enabled then the data field also includes status for all of the UART / GPIO pins as follows:

TABLE 18: DATA FIELD OF CUSTOMIZED INTERRUPT PACKET - EXAR VENDOR SPECIFIC

| BIT(s) | FIELD | DESCRIPTION |
|--------|-------|------------------|
| 15 | D15 | Reserved (0) |
| 14 | D14 | bGPIO5 (RTS) |
| 13 | D13 | bGPIO4 (CTS) |
| 12 | D12 | bGPIO3 (DTR) |
| 11 | D11 | bGPIO0 (RI) |
| 10 | D10 | Reserved (0) |
| 9 | D9 | bGPIO2 (DSR) |
| 8 | D8 | bGPIO1 (CD) |
| 7 | D7 | Reserved (0) |
| 6 | D6 | bOverRun |
| 5 | D5 | bParity |
| 4 | D4 | bFraming |
| 3 | D3 | bRingSignal (RI) |
| 2 | D2 | bBreak |
| 1 | D1 | bTxCarrier (DSR) |
| 0 | D0 | bRxCarrier (CD) |

4.0 ELECTRICAL CHARACTERISTICS
TABLE 19: ABSOLUTE MAXIMUM RATINGS

| PARAMETER | RATING | UNIT |
|---|-----------------|------|
| V _{CC} Supply Voltage | + 4.0 | V |
| Input Voltage (all pins except USBD+ and USBD-) | - 0.3 to + 6.0 | V |
| Input Voltage (USBD+ and USBD-) | - 0.3 to + 5.75 | V |
| Junction Temperature | 125 | °C |

DC ELECTRICAL CHARACTERISTICS - POWER CONSUMPTION

 UNLESS OTHERWISE NOTED: T_A = -40° TO +85°C, V_{CC} IS 2.97 TO 3.63V

| SYMBOL | PARAMETER | LIMITS 3.3V | | | UNITS | CONDITIONS |
|-------------------|----------------------|----------------|-----|------|-------|------------|
| | | MIN | TYP | MAX | | |
| I _{CC} | Power Supply Current | | 16 | 20 | mA | |
| I _{Susp} | Suspend mode Current | | 1.5 | 1.65 | mA | |

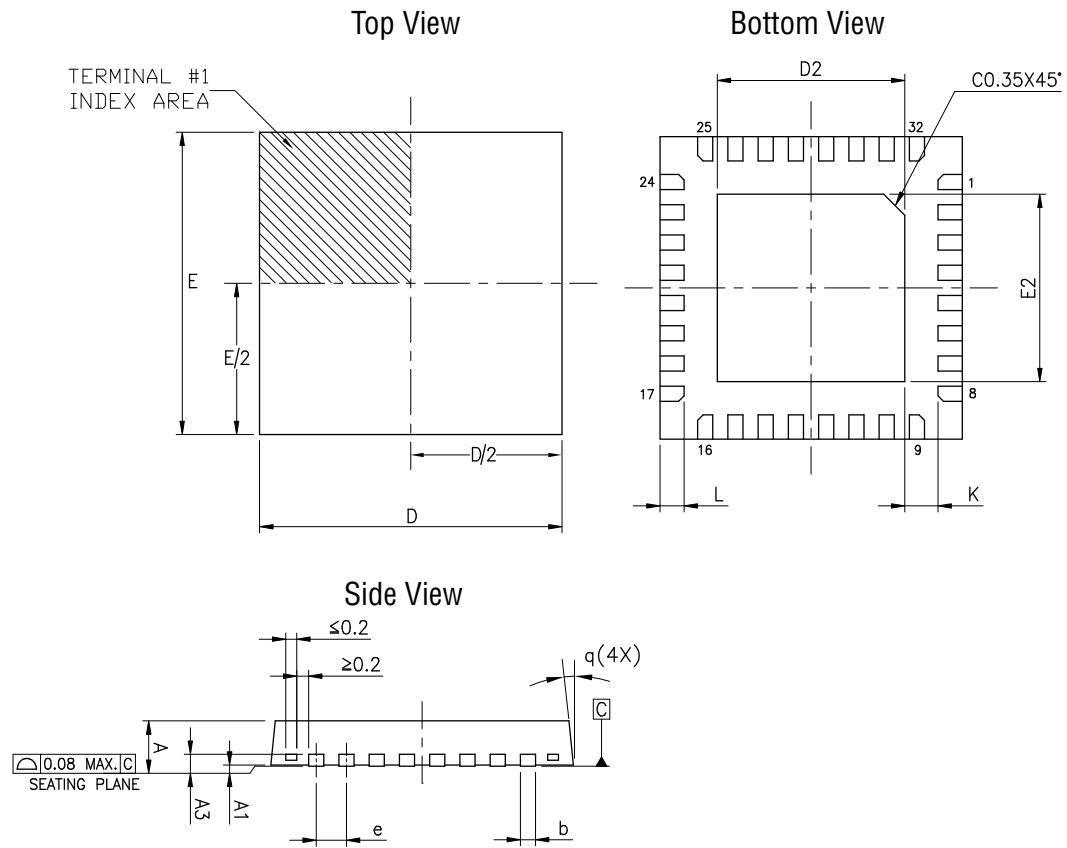
DC ELECTRICAL CHARACTERISTICS - UART, LOWPOWER & GPIO PINS

 UNLESS OTHERWISE NOTED: T_A = -40° TO +85°C, V_{CC} IS 2.97 TO 3.63V

| SYMBOL | PARAMETER | LIMITS 3.3V | | UNITS | CONDITIONS |
|-----------------|----------------------------|----------------|-----|-------|------------------------|
| | | MIN | MAX | | |
| V _{IL} | Input Low Voltage | -0.3 | 0.8 | V | |
| V _{IH} | Input High Voltage | 2.0 | 5.5 | V | |
| V _{OL} | Output Low Voltage | | 0.3 | V | I _{OL} = 4mA |
| V _{OH} | Output High Voltage | 2.2 | | V | I _{OH} = -4mA |
| I _{IL} | Input Low Leakage Current | | ±10 | uA | |
| I _{IH} | Input High Leakage Current | | ±10 | uA | |
| C _{IN} | Input Pin Capacitance | | 5 | pF | |

DC ELECTRICAL CHARACTERISTICS - USB I/O PINSUNLESS OTHERWISE NOTED: $T_A = -40^{\circ}$ TO $+85^{\circ}\text{C}$, V_{CC} IS 2.97 TO 3.63V

| SYMBOL | PARAMETER | LIMITS 3.3V | | UNITS | CONDITIONS |
|------------|----------------------------|----------------|------|-------|---------------------------------------|
| | | MIN | MAX | | |
| V_{IL} | Input Low Voltage | -0.3 | 0.8 | V | |
| V_{IH} | Input High Voltage | 2.0 | 5.5 | V | |
| V_{OL} | Output Low Voltage | 0 | 0.3 | V | External 15 KOhm to GND on USB D- pin |
| V_{OH} | Output High Voltage | 2.8 | 3.6 | V | External 15 KOhm to GND on USB D- pin |
| V_{DRVZ} | Driver Output Impedance | 28 | 44 | Ohms | |
| I_{OSC} | Open short current Current | | 38.5 | mA | 1.5 V on USB D+ and USB D- |

MECHANICAL DIMENSIONS (32 PIN QFN - 5 X 5 X 0.9 mm)


| 32LD 5x5 QFN (OPTION 3) JEDEC M0-220 Variation VHHD-4 | | | | | | |
|---|------------------------------------|------|------|--|-------|-------|
| SYMBOLS | DIMENSIONS IN MM (Control Unit) | | | DIMENSIONS IN INCH (Reference Unit) | | |
| | MIN | NOM | MAX | MIN | NOM | MAX |
| A | 0.80 | 0.90 | 1.00 | 0.032 | 0.035 | 0.039 |
| A1 | 0.00 | 0.02 | 0.05 | 0.000 | 0.001 | 0.002 |
| A3 | 0.20 REF | | | 0.008 REF | | |
| b | 0.18 | 0.25 | 0.30 | 0.007 | 0.010 | 0.012 |
| D | 5.00 BSC | | | 0.197 BSC | | |
| D2 | 3.50 | 3.65 | 3.80 | 0.138 | 0.144 | 0.150 |
| E | 5.00 BSC | | | 0.197 BSC | | |
| E2 | 3.50 | 3.65 | 3.80 | 0.138 | 0.144 | 0.150 |
| e | 0.50 BSC | | | 0.020 BSC | | |
| L | 0.35 | 0.40 | 0.45 | 0.014 | 0.016 | 0.018 |
| K | 0.20 | — | — | 0.008 | — | — |
| q | 0° | — | 14° | 0° | — | 14° |
| N | 32 | | | 32 | | |
| ND | 8 | | | 8 | | |
| NE | 8 | | | 8 | | |

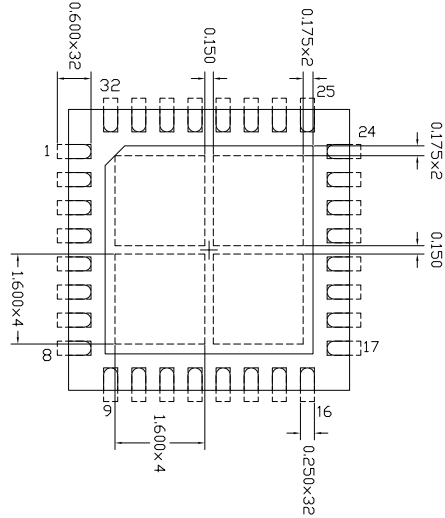
Drawing No: POD-00000037

Revision: B

NOTE: QFN32 $\theta_{JA} = 30.1^\circ\text{C/W}$, $\theta_{JC} = 10.1^\circ\text{C/W}$. All values are typical.

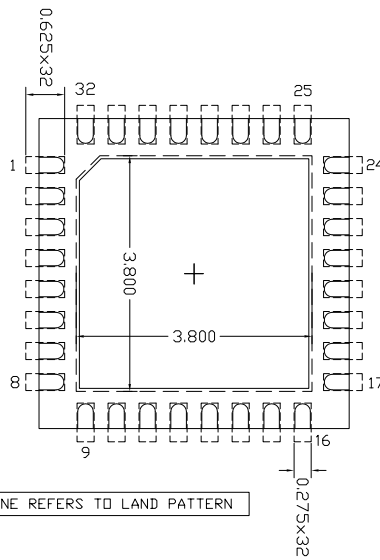
RECOMMENDED LAND PATTERN AND STENCIL

RECOMMEND STENCIL DESIGN



- DASH LINE REFERS TO SOLDER STENCIL OPENING

RECOMMEND LAND PATTERN



- DASH LINE REFERS TO LAND PATTERN

Drawing No: POD-0000037
Revision: B

REVISION HISTORY

| DATE | REVISION | DESCRIPTION |
|----------------|----------|--|
| June 2009 | 1.0.0 | Released Datasheet. |
| September 2010 | 1.1.0 | Clarified pin functionality, wide mode and low latency mode including registers / blocks, clarified FLOW_CONTROL and GPIO_MODE register functionality. |
| April 2012 | 1.2.0 | Updated ordering information, SDA/SCL pin types, modified GPIO0 pin names and added LOOPBACK_CTL register and description. Updated LOWPOWER pin description, bMaxPacketSize and DC electrical characteristics. See PCN12-0305-01 for more details. |
| December 2013 | 1.3.0 | Added Windows driver versions, added absolute maximum tables, added ESD protection ratings, added QFN package center pad to pin descriptions, minor clarifications including requirement for even Product ID in Windows OS. |
| June 2018 | 1.3.1 | Updated to MaxLinear logo. Updated format and Ordering Information. Removed IR mode on Tx and Rx pins, removed Windows 2000. GPIO_INT_MASK register logic updated. "V1412" updated to XR21V1412. Updated last paragraph of General Description. Updated GPIO_SET and GPIO_CLEAR Register Descriptions. |

**Corporate Headquarters:**

5966 La Place Court
 Suite 100
 Carlsbad, CA 92008
 Tel.: +1 (760) 692-0711
 Fax: +1 (760) 444-8598
www.maxlinear.com

High Performance Analog:

1060 Rincon Circle
 San Jose, CA 95131
 Tel.: +1 (669) 265-6100
 Fax: +1 (669) 265-6101
www.exar.com

The content of this document is furnished for informational use only, is subject to change without notice, and should not be construed as a commitment by MaxLinear, Inc.. MaxLinear, Inc. assumes no responsibility or liability for any errors or inaccuracies that may appear in the informational content contained in this guide. Complying with all applicable copyright laws is the responsibility of the user.. Without limiting the rights under copyright, no part of this document may be reproduced into, stored in, or introduced into a retrieval system, or transmitted in any form or by any means (electronic, mechanical, photocopying, recording, or otherwise), or for any purpose, without the express written permission of MaxLinear, Inc.

MaxLinear, Inc. does not recommend the use of any of its products in life support applications where the failure or malfunction of the product can reasonably be expected to cause failure of the life support system or to significantly affect its safety or effectiveness. Products are not authorized for use in such applications unless MaxLinear, Inc. receives, in writing, assurances to its satisfaction that: (a) the risk of injury or damage has been minimized; (b) the user assumes all such risks; (c) potential liability of MaxLinear, Inc. is adequately protected under the circumstances.

MaxLinear, Inc. may have patents, patent applications, trademarks, copyrights, or other intellectual property rights covering subject matter in this document. Except as expressly provided in any written license agreement from MaxLinear, Inc., the furnishing of this document does not give you any license to these patents, trademarks, copyrights, or other intellectual property.

Company and product names may be registered trademarks or trademarks of the respective owners with which they are associated.

© 2013 - 2018 MaxLinear, Inc. All rights reserved.

X-ON Electronics

Largest Supplier of Electrical and Electronic Components

Click to view similar products for [USB Interface IC](#) category:

Click to view products by [MaxLinear](#) manufacturer:

Other Similar products are found below :

[CY7C69356-48LTXC](#) [USB3319C-GJ-TR](#) [USB3370B-EZK-TR](#) [CYPD2120-24LQXI](#) [CYPD2122-20FNXIT](#) [CYPD2122-24LQXIT](#) [LIF-UC120-SWG36ITR50](#) [UPD360-A/6HX](#) [CP2102NP1174GM](#) [DPO2039DABQ-13](#) [CY7C68034-56LTXC](#) [TUSB212RWBT](#) [TUSB213IRGYT](#) [TUSB213RGYT](#) [USB3503T-I/ML](#) [CY7C63310-SXC](#) [USB3316C-CP-TR](#) [USB3250-ABZJ](#) [MAX3107ETG+](#) [MAX14632EZK+T](#) [LAN9514-JZX](#) [CYPD2120-24LQXIT](#) [MAX3100CEE+T](#) [USB5806/KD](#) [USB5826-I/KD](#) [USB5826/KD](#) [USB5906/KD](#) [USB5916/KD](#) [USB5926/KD](#) [TUSB215QRGYTQ1](#) [NB7NPQ701MMTTBG](#) [TUSB213RGYR](#) [USB5926-I/KD](#) [USB5906-I/KD](#) [USB4640I-HZH-03](#) [CY7C63813-SXC](#) [CY7C63823-SXC](#) [CY7C64215-28PVXC](#) [CY7C68013A-128AXC](#) [CY7C68013A-56LTXI](#) [CY7C68013A-56PVXC](#) [CY7C68013A-56PVXI](#) [CYPD1120-40LQXI](#) [AP43771VDKZ-13](#) [AP43771VFBZ-13](#) [DIO32320MP10](#) [HT42B534-2](#) [FT2232HPQ-TRAY](#) [FT312D-32L1C-T](#) [KTU1001AEVA-TR](#)