

### XRRH103R Series Power Inductors

#### ■ Features

- Ultra low profile.
- Magnetic shielded for low radiation.
- Bobbin ferrite core and compact size.
- Low core loss for high frequency power application.
- Large terminal surface for good PCB bonding.
- Operating temperature:  $-40^{\circ}\text{C} \sim +125^{\circ}\text{C}$ .

#### ■ Applications

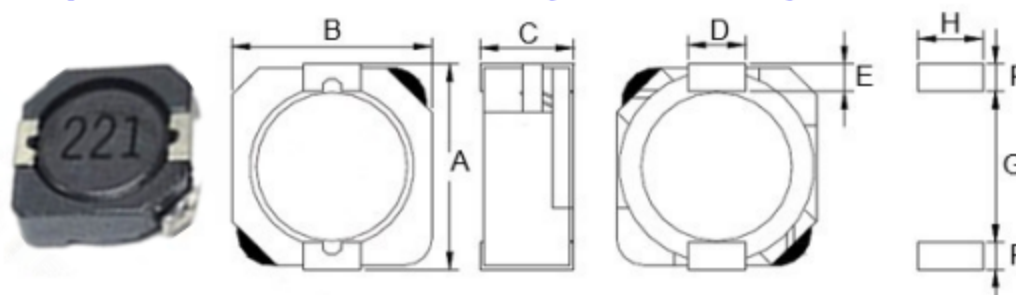
- Portable communication equipment.
- Notebook PC, digital camera, LCD television set.
- Power supply for VTR, OA equipment.
- DC/DC converters.

#### ■ Product Identification

<b>XRRH</b>	<b>□□□</b>	<b>—</b>	<b>□□□</b>	<b>M</b>
(1)	(2)		(3)	(4)

- (1) : Type  
 (2) : Dimensions  
 (3) : Inductance value  
 (4) : Inductance Tolerance; M=±20%

#### ■ Shapes and Dimensions (Unit: mm)



TYPE	A	B	C	D	E	F Ref.	G Ref.	H Ref.
XRRH103R	10.1±0.3	10.1±0.3	2.8±0.3	3.0	1.2	1.6	7.3	3.2

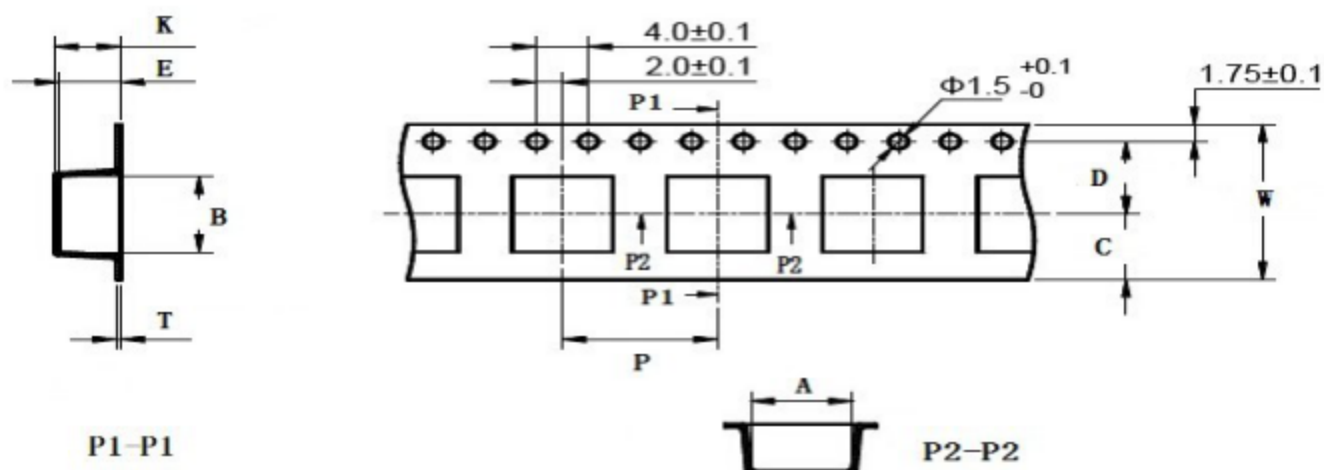
## ■ XRRH103R Series

Part Number	Inductance ( $\mu$ H)	Test Freq. (KHz)	DCR MAX. ( $\Omega$ )	Saturation Current (A)	Heat Rating Current (A)
XRRH103R-1R5M	1.50	100	0.006	11.2	8.30
XRRH103R-2R2M	2.20	100	0.011	8.0	5.80
XRRH103R-3R3M	3.30	100	0.017	6.7	5.10
XRRH103R-4R7M	4.70	100	0.021	5.56	4.70
XRRH103R-6R8M	6.80	100	0.030	4.65	4.00
XRRH103R-8R2M	8.20	100	0.035	3.84	3.60
XRRH103R-100M	10.0	100	0.050	3.54	3.00
XRRH103R-150M	15.0	100	0.059	3.18	2.80
XRRH103R-220M	22.0	100	0.091	2.60	2.05
XRRH103R-330M	33.0	100	0.143	2.16	1.60
XRRH103R-470M	47.0	100	0.202	1.74	1.35
XRRH103R-560M	56.0	100	0.299	1.43	1.20
XRRH103R-680M	68.0	100	0.325	1.36	1.15
XRRH103R-820M	82.0	100	0.429	1.22	0.95
XRRH103R-101M	100	100	0.494	1.14	0.80
XRRH103R-121M	120	100	0.683	1.02	0.70
XRRH103R-151M	150	100	0.754	0.89	0.65

### XRRH103R Series-Power Inductors

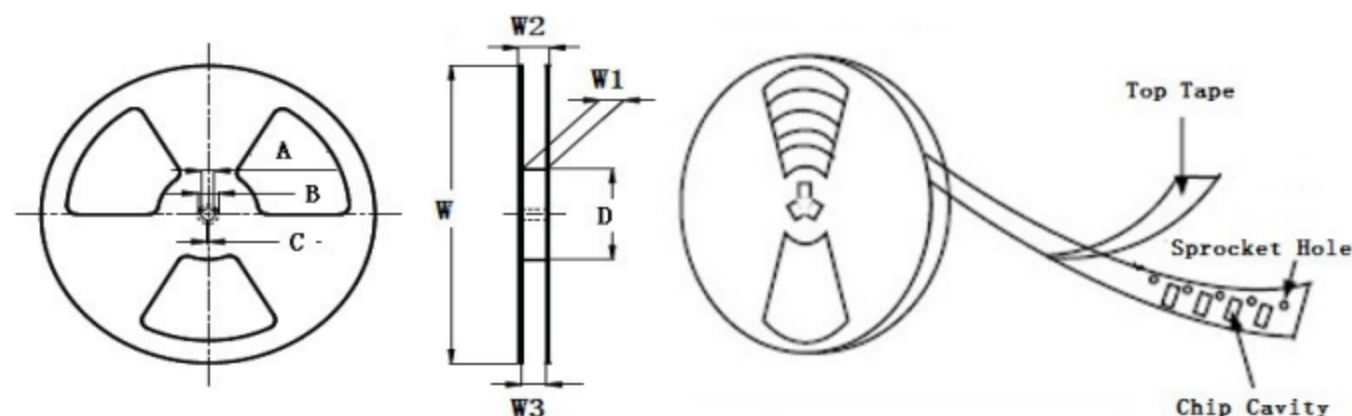
- ※ The saturation current value is the DC current value having inductance decrease down to 30%. (at 20°C)
- ※ The temperature rise current value is the DC current value having temperature increase up to 40°C. (at 20°C)
- ※ The rated current is the DC current value that satisfies both of current value saturation current value and temperature rise current value.

### ■ Taping Dimensions(Unit:mm)



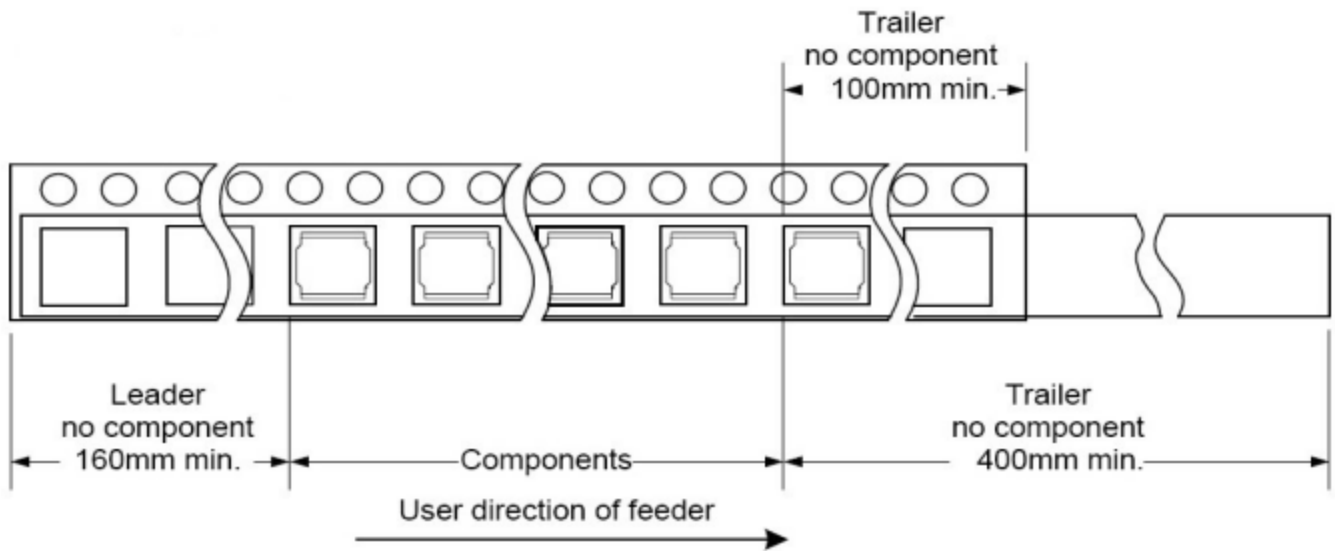
TYPE	W	A	B	C	D	E	P	K Ref	T	MPQ
XRRH103R	24±0.3	10.55±0.1	10.55±0.1	10.75	11.5±0.1	4.2±0.1	16±0.1	3.4	0.5±0.05	1000

### ■ Reel Dimensions(Unit:mm)

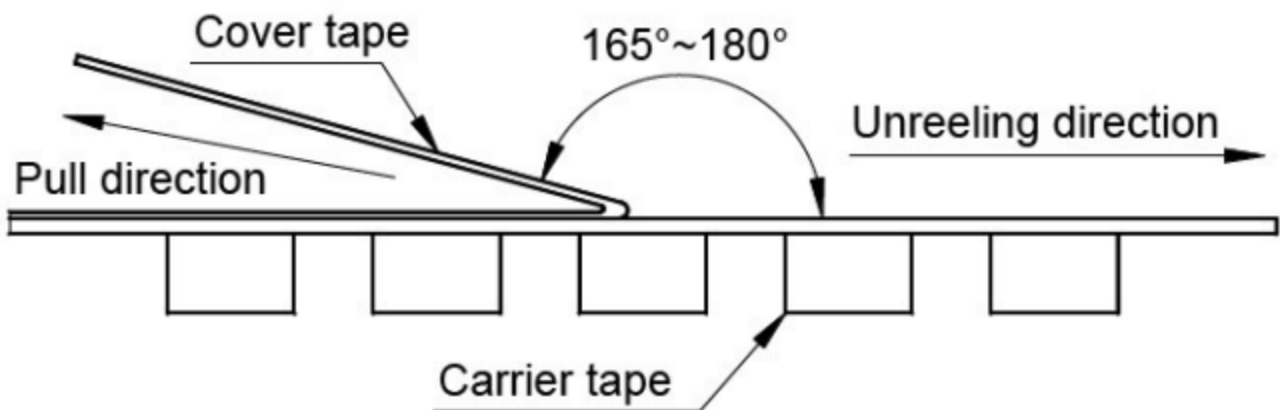


TYPE	W	W1	W2	W3	A	B	C	D
XRRH103R	330±2.0	24.4±1.50	30.4MAX	23.9Min	13.0±0.50	21.0±0.80	2.0±0.50	100 Min

## Direction of rolling



## Cover tape peel off condition



Cover tape peel force shall be 0.1N to 1.3N.

Reference peel speed  $300 \pm 10$  mm/min.

## X-ON Electronics

Largest Supplier of Electrical and Electronic Components

*Click to view similar products for [Fixed Inductors](#) category:*

*Click to view products by [MaxLinear](#) manufacturer:*

Other Similar products are found below :

[CR32NP-100KC](#) [CR54NP-470LC](#) [70F224AI](#) [MGDQ4-00004-P](#) [MHQ1005P10NJ](#) [MHQ1005P1N0S](#) [MHQ1005P2N4S](#) [MHQ1005P3N6S](#)  
[MHQ1005P5N1S](#) [MHQ1005P8N2J](#) [PE-53601NL](#) [PE-53602NL](#) [PG0936.113NLT](#) [9220-20](#) [9310-16](#) [PM06-2N7](#) [PM06-39NJ](#) [A01TK](#)  
[1206CS-471XJ](#) [HC2-R47-R](#) [HC8-1R2-R](#) [HCF1305-3R3-R](#) [1206CS-151XG](#) [RCH664NP-140L](#) [RCH664NP-4R7M](#) [RCP1317NP-391L](#)  
[RCR110DNP-331L](#) [DH2280-4R7M](#) [DS1608C-106](#) [B10TJ](#) [B82498B3101J000](#) [ELJ-RE27NJF2](#) [1812CS-153XJ](#) [1812CS-183XJ](#) [1812CS-](#)  
[223XJ](#) [1812LS-104XJ](#) [1812LS-105XJ](#) [1812LS-124XJ](#) [1812LS-154XJ](#) [1812LS-223XJ](#) [1812LS-224XJ](#) [1812LS-563XJ](#) [1812LS-683XJ](#)  
[1812LS-824XJ](#) [NIN-FB101JTR110F](#) [NIN-FB471JTR62F](#) [NIN-FC1R5JTR220F](#) [NIN-HCR15JTRF](#) [NIN-HCR33JTRF](#) [NIN-HDR22JTRF](#)