

XRRH104R Series Power Inductors

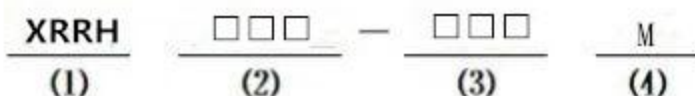
■ Features

- Ultra low profile.
- Magnetic shielded for low radiation.
- Bobbin ferrite core and compact size.
- Low core loss for high frequency power application.
- Large terminal surface for good PCB bonding.
- Operating temperature: $-40^{\circ}\text{C} \sim +125^{\circ}\text{C}$.

■ Applications

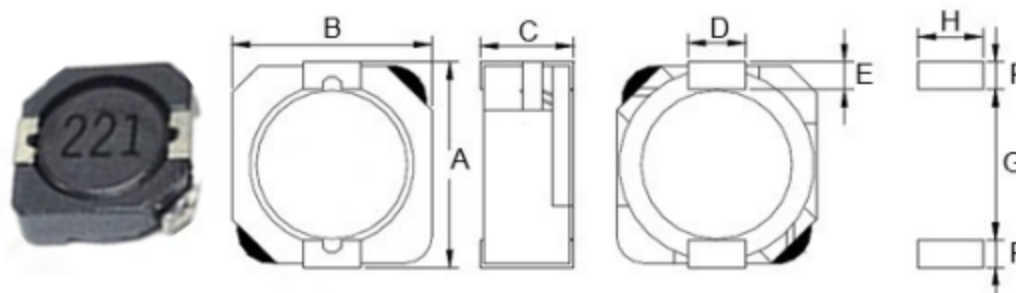
- Portable communication equipment.
- Notebook PC, digital camera, LCD television set.
- Power supply for VTR, OA equipment.
- DC/DC converters.

■ Product Identification



- (1) : Type
 (2) : Dimensions
 (3) : Inductance value
 (4) : Inductance Tolerance; M=±20%

■ Shapes and Dimensions (Unit: mm)



| TYPE | A | B | C | D | E | F Ref. | G Ref. | H Ref. |
|----------|----------|----------|---------|-----|-----|--------|--------|--------|
| XRRH104R | 10.1±0.3 | 10.1±0.3 | 3.8±0.3 | 3.0 | 1.2 | 1.6 | 7.3 | 3.2 |

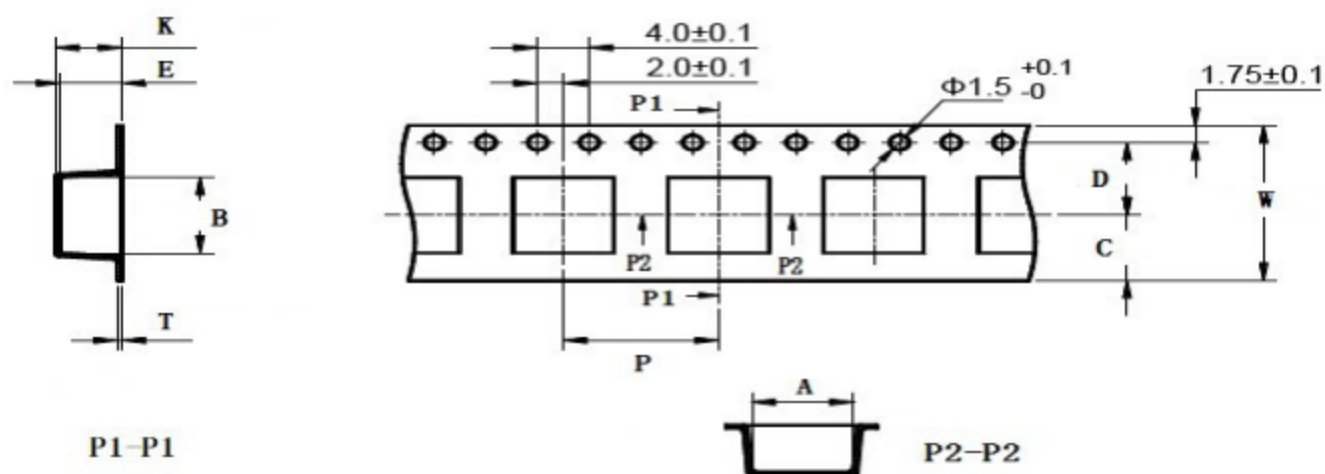
■ XRRH104R Series

| Part Number | Inductance (uH) | Test Freq. (KHz) | DCR MAX. (Ω) | Saturation Current (A) | Heat Rating Current (A) |
|---------------|--------------------|---------------------|-----------------|---------------------------|----------------------------|
| XRRH104R-1R0M | 1.00 | 100 | 0.010 | 7.68 | 6.98 |
| XRRH104R-2R2M | 2.20 | 100 | 0.011 | 7.50 | 6.32 |
| XRRH104R-2R7M | 2.70 | 100 | 0.011 | 7.50 | 6.10 |
| XRRH104R-3R9M | 3.90 | 100 | 0.013 | 6.00 | 5.50 |
| XRRH104R-4R7M | 4.70 | 100 | 0.020 | 5.50 | 5.40 |
| XRRH104R-5R2M | 5.20 | 100 | 0.022 | 5.50 | 5.40 |
| XRRH104R-6R8M | 6.80 | 100 | 0.027 | 4.80 | 4.50 |
| XRRH104R-100M | 10.0 | 100 | 0.035 | 4.40 | 3.80 |
| XRRH104R-120M | 12.0 | 100 | 0.046 | 3.70 | 3.40 |
| XRRH104R-150M | 15.0 | 100 | 0.050 | 3.60 | 3.10 |
| XRRH104R-180M | 18.0 | 100 | 0.069 | 3.10 | 2.60 |
| XRRH104R-220M | 22.0 | 100 | 0.073 | 2.90 | 2.50 |
| XRRH104R-270M | 27.0 | 100 | 0.088 | 2.60 | 2.30 |
| XRRH104R-330M | 33.0 | 100 | 0.093 | 2.30 | 2.20 |
| XRRH104R-390M | 39.0 | 100 | 0.127 | 2.20 | 2.00 |
| XRRH104R-470M | 47.0 | 100 | 0.128 | 2.10 | 1.90 |
| XRRH104R-560M | 56.0 | 100 | 0.188 | 1.65 | 1.50 |
| XRRH104R-680M | 68.0 | 100 | 0.213 | 1.50 | 1.42 |
| XRRH104R-820M | 82.0 | 100 | 0.283 | 1.45 | 1.30 |
| XRRH104R-101M | 100 | 100 | 0.304 | 1.35 | 1.25 |
| XRRH104R-121M | 120 | 100 | 0.375 | 1.20 | 1.08 |
| XRRH104R-151M | 150 | 100 | 0.506 | 1.15 | 0.85 |
| XRRH104R-181M | 180 | 100 | 0.568 | 1.00 | 0.75 |
| XRRH104R-221M | 220 | 100 | 0.756 | 0.92 | 0.70 |
| XRRH104R-271M | 270 | 100 | 0.853 | 0.84 | 0.55 |
| XRRH104R-331M | 330 | 100 | 1.090 | 0.70 | 0.52 |
| XRRH104R-471M | 470 | 100 | 1.450 | 0.48 | 0.36 |

XRRH104R Series Power Inductors

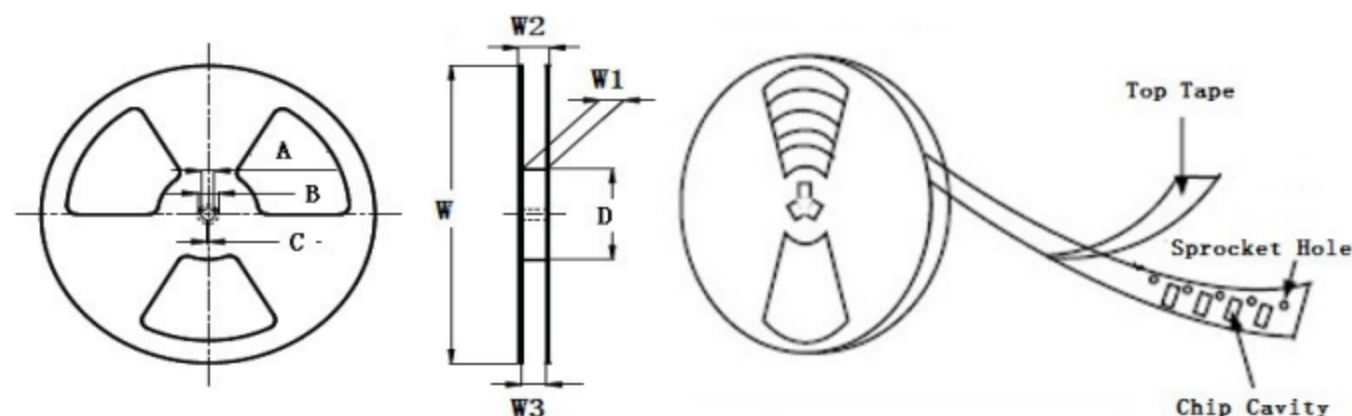
- ※ The saturation current value is the DC current value having inductance decrease down to 30%. (at 20°C)
- ※ The temperature rise current value is the DC current value having temperature increase up to 40°C. (at 20°C)
- ※ The rated current is the DC current value that satisfies both of current value saturation current value and temperature rise current value.

■ Taping Dimensions(Unit:mm)



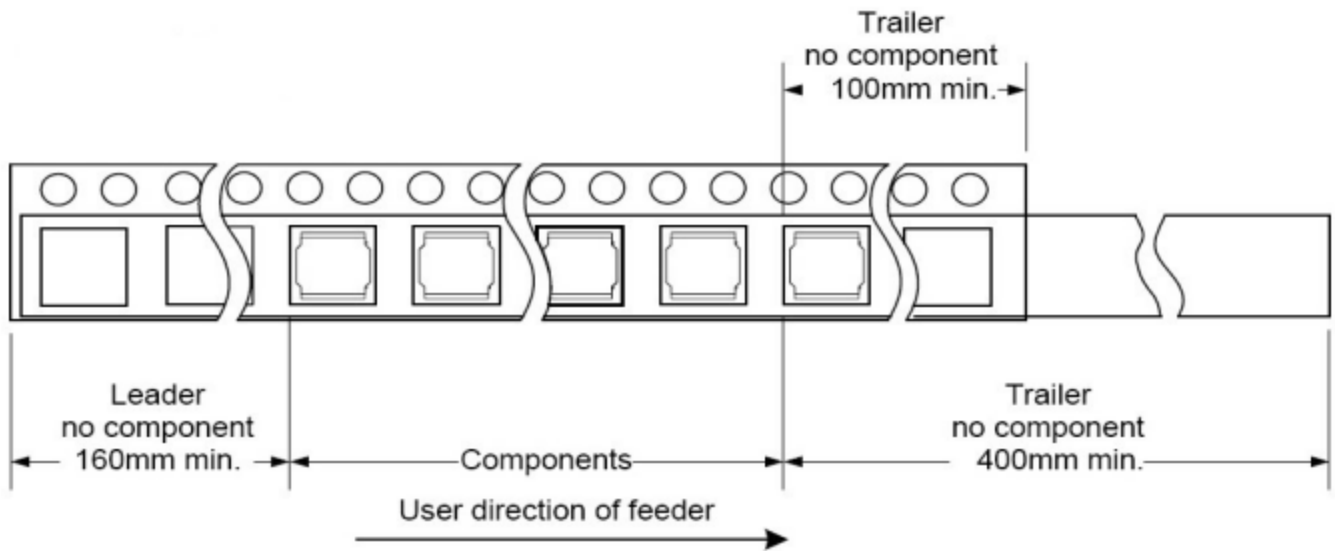
| TYPE | W | A | B | C | D | E | P | K Ref | T | MPQ |
|----------|--------|-----------|-----------|-------|----------|---------|--------|-------|----------|------|
| XRRH104R | 24±0.3 | 10.55±0.1 | 10.55±0.1 | 10.75 | 11.5±0.1 | 4.2±0.1 | 16±0.1 | 4.4 | 0.5±0.05 | 1000 |

■ Reel Dimensions(Unit:mm)

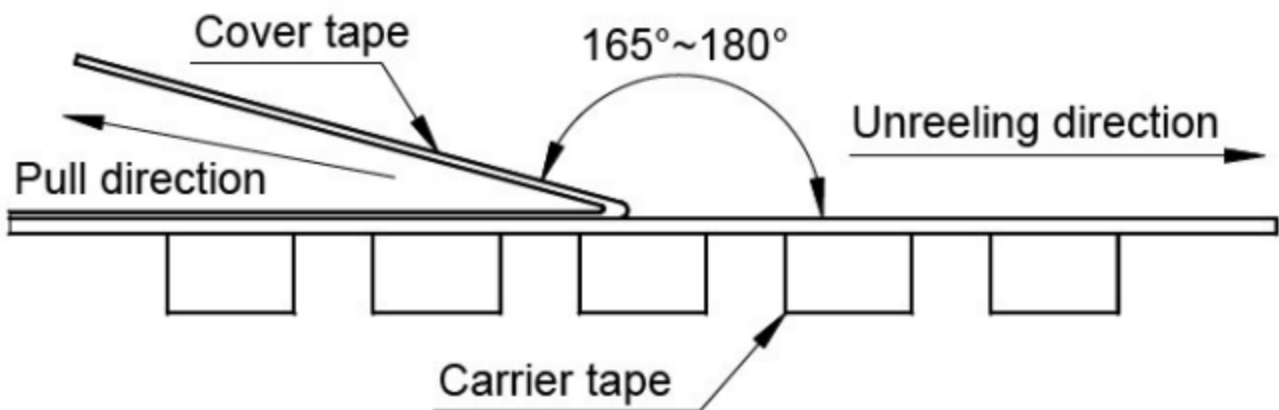


| TYPE | W | W1 | W2 | W3 | A | B | C | D |
|----------|---------|-----------|---------|---------|-----------|-----------|----------|---------|
| XRRH104R | 330±2.0 | 24.4±1.50 | 30.4MAX | 23.9Min | 13.0±0.50 | 21.0±0.80 | 2.0±0.50 | 100 Min |

Direction of rolling



Cover tape peel off condition



Cover tape peel force shall be 0.1N to 1.3N.

Reference peel speed 300 ± 10 mm/min.

X-ON Electronics

Largest Supplier of Electrical and Electronic Components

Click to view similar products for [Fixed Inductors](#) category:

Click to view products by [MaxLinear](#) manufacturer:

Other Similar products are found below :

[CR32NP-100KC](#) [CR54NP-470LC](#) [70F224AI](#) [MGDQ4-00004-P](#) [MHQ1005P10NJ](#) [MHQ1005P1N0S](#) [MHQ1005P2N4S](#) [MHQ1005P3N6S](#)
[MHQ1005P5N1S](#) [MHQ1005P8N2J](#) [PE-53601NL](#) [PE-53602NL](#) [PG0936.113NLT](#) [9220-20](#) [9310-16](#) [PM06-2N7](#) [PM06-39NJ](#) [A01TK](#)
[1206CS-471XJ](#) [HC2-R47-R](#) [HC8-1R2-R](#) [HCF1305-3R3-R](#) [1206CS-151XG](#) [RCH664NP-140L](#) [RCH664NP-4R7M](#) [RCP1317NP-391L](#)
[RCR110DNP-331L](#) [DH2280-4R7M](#) [DS1608C-106](#) [B10TJ](#) [B82498B3101J000](#) [ELJ-RE27NJF2](#) [1812CS-153XJ](#) [1812CS-183XJ](#) [1812CS-](#)
[223XJ](#) [1812LS-104XJ](#) [1812LS-105XJ](#) [1812LS-124XJ](#) [1812LS-154XJ](#) [1812LS-223XJ](#) [1812LS-224XJ](#) [1812LS-563XJ](#) [1812LS-683XJ](#)
[1812LS-824XJ](#) [NIN-FB101JTR110F](#) [NIN-FB471JTR62F](#) [NIN-FC1R5JTR220F](#) [NIN-HCR15JTRF](#) [NIN-HCR33JTRF](#) [NIN-HDR22JTRF](#)