

■ Features

- High current type.
- Ferrite bobbin core and compact size.
- Low core loss for high frequency power application.
- Large terminal surface for good PCB bonding.
- Operating temperature: $-40^{\circ}\text{C} \sim +125^{\circ}\text{C}$.

■ Applications

- Portable communication equipment.
- Notebook PC, digital camera, LCD television set.
- Power supply for VTR, OA equipment.
- DC/DC converters.

■ Product Identification

$\frac{\text{XRRH}}{(1)}$ $\frac{\square\square\square}{(2)}$ $-$ $\frac{\square\square\square}{(3)}$ $\frac{\text{M}}{(4)}$

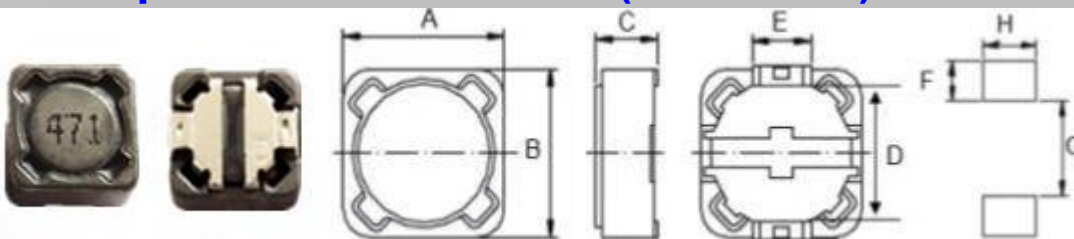
(1) : Type

(2) : Dimensions

(3) : Inductance value

(4) : Inductance Tolerance; M= $\pm 20\%$

■ Shapes and Dimensions (Unit: mm)



| TYPE | A | B | C max | D | E | F Ref. | G Ref. | H Ref. |
|---------|----------------|----------------|-------|----------------|-----|--------|--------|--------|
| XRRH125 | 12.0 \pm 0.5 | 12.0 \pm 0.5 | 6.0 | 7.60 \pm 0.2 | 5.0 | 2.8 | 7.0 | 5.4 |

XRRH125 Series-Power Inductors

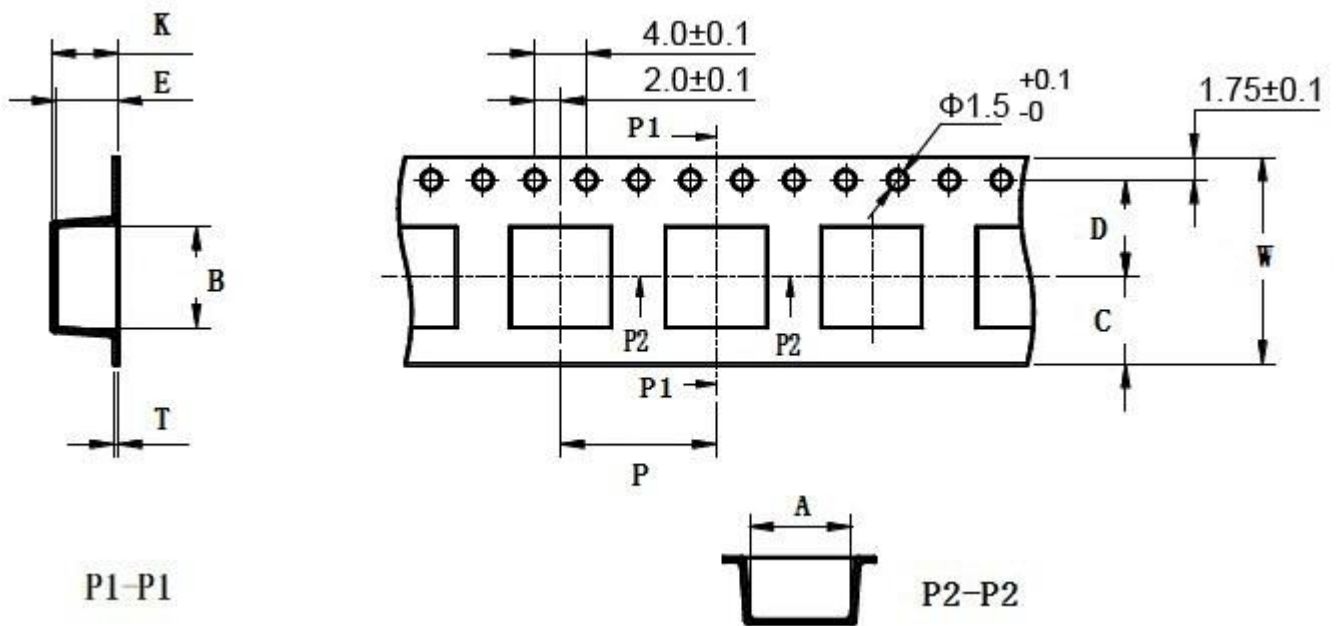
| Part Number | Inductance (uH) | L Test Frequency (KHz) | Max.DC Resistance (Ω) | MAX.Rated Current (A) |
|--------------------|----------------------------|-----------------------------------|----------------------------------|----------------------------------|
| XRRH125-1R0M | 1.00 | 100 | 0.012 | 8.00 |
| XRRH125-1R2M | 1.20 | 100 | 0.012 | 8.00 |
| XRRH125-1R5M | 1.50 | 100 | 0.013 | 7.70 |
| XRRH125-1R8M | 1.80 | 100 | 0.014 | 7.40 |
| XRRH125-2R1M | 2.10 | 100 | 0.014 | 7.00 |
| XRRH125-2R2M | 2.20 | 100 | 0.015 | 7.00 |
| XRRH125-2R7M | 2.70 | 100 | 0.017 | 6.40 |
| XRRH125-3R0M | 3.00 | 100 | 0.018 | 5.80 |
| XRRH125-3R3M | 3.30 | 100 | 0.019 | 5.40 |
| XRRH125-4R4M | 4.40 | 100 | 0.020 | 5.00 |
| XRRH125-4R7M | 4.70 | 100 | 0.020 | 4.80 |
| XRRH125-5R6M | 5.60 | 100 | 0.021 | 4.40 |
| XRRH125-6R8M | 6.80 | 100 | 0.022 | 4.30 |
| XRRH125-7R5M | 7.50 | 100 | 0.024 | 4.20 |
| XRRH125-7R7M | 7.70 | 100 | 0.024 | 4.20 |
| XRRH125-8R2M | 8.20 | 100 | 0.025 | 4.10 |
| XRRH125-100M | 10.0 | 100 | 0.025 | 4.00 |
| XRRH125-120M | 12.0 | 100 | 0.027 | 3.50 |
| XRRH125-150M | 15.0 | 100 | 0.030 | 3.30 |
| XRRH125-180M | 18.0 | 100 | 0.034 | 3.00 |
| XRRH125-220M | 22.0 | 100 | 0.036 | 2.80 |
| XRRH125-270M | 27.0 | 100 | 0.051 | 2.30 |
| XRRH125-330M | 33.0 | 100 | 0.060 | 2.10 |
| XRRH125-390M | 39.0 | 100 | 0.068 | 2.00 |
| XRRH125-470M | 47.0 | 100 | 0.075 | 1.80 |
| XRRH125-560M | 56.0 | 100 | 0.110 | 1.70 |

| Part Number | Inductance (uH) | L Test Frequency (KHz) | Max.DC Resistance (Ω) | MAX.Rated Current (A) |
|--------------------|----------------------------|-----------------------------------|----------------------------------|----------------------------------|
| XRRH125-680M | 68.0 | 100 | 0.120 | 1.50 |
| XRRH125-820M | 82.0 | 100 | 0.140 | 1.40 |
| XRRH125-101M | 100 | 100 | 0.160 | 1.30 |
| XRRH125-121M | 120 | 100 | 0.170 | 1.10 |
| XRRH125-151M | 150 | 100 | 0.230 | 1.00 |
| XRRH125-181M | 180 | 100 | 0.290 | 0.90 |
| XRRH125-221M | 220 | 100 | 0.400 | 0.80 |
| XRRH125-271M | 270 | 100 | 0.460 | 0.75 |
| XRRH125-331M | 330 | 100 | 0.510 | 0.68 |
| XRRH125-391M | 390 | 100 | 0.690 | 0.65 |
| XRRH125-471M | 470 | 100 | 0.770 | 0.58 |
| XRRH125-561M | 560 | 100 | 0.860 | 0.54 |
| XRRH125-681M | 680 | 100 | 1.200 | 0.48 |
| XRRH125-821M | 820 | 100 | 1.340 | 0.43 |
| XRRH125-102M | 1000 | 100 | 1.530 | 0.40 |
| XRRH125-103M | 10000 | 100 | 18.000 | 0.06 |

XRRH125 Series-Power Inductors

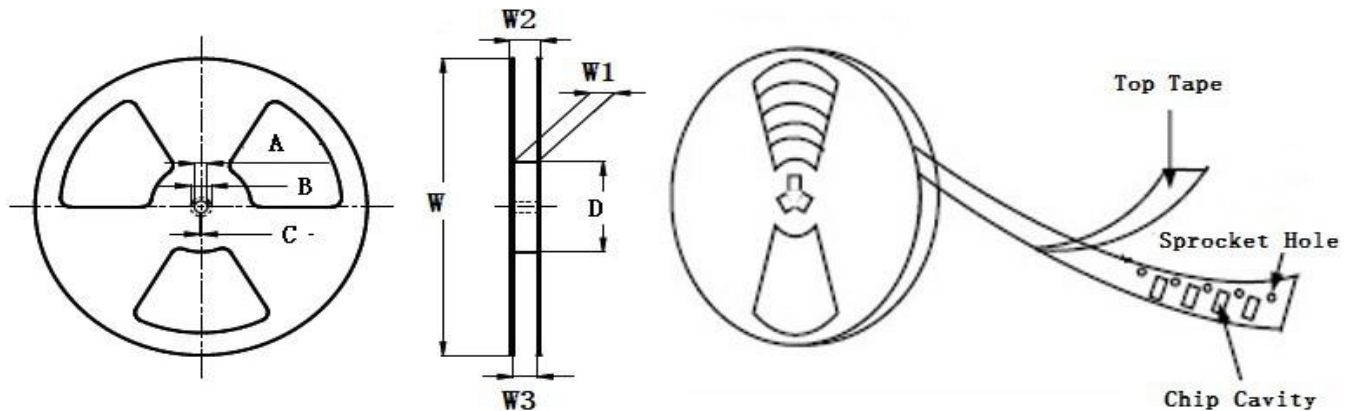
- ※ The saturation current value is the DC current value having inductance decrease down to 30%.(at 20°C)
- ※ The temperature rise current value is the DC current value having temperature increase up to 40°C. (at 20°C)
- ※ The rated current is the DC current value that satisfies both of current value saturation current value and temperature rise current value.

■ Taping Dimensions(Unit:mm)



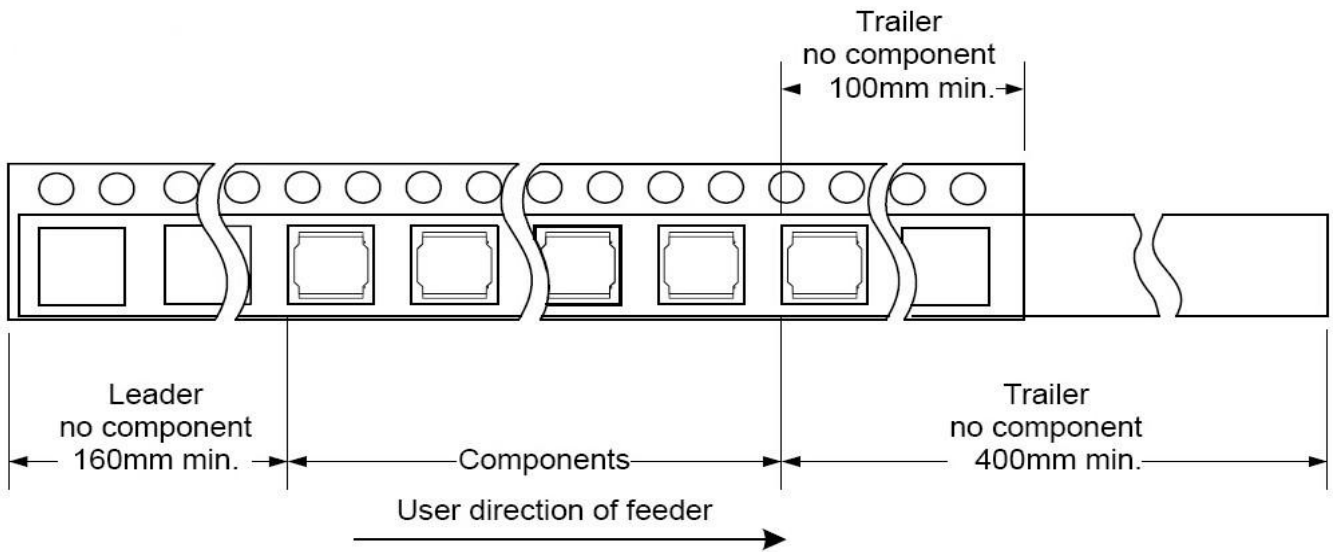
| TYPE | MPQ | W | A | B | C | D | E | P | K | T |
|---------|-----|--------|----------|----------|-------|----------|---------|--------|---------|----------|
| XRRH125 | 500 | 24±0.3 | 12.6±0.1 | 12.6±0.1 | 10.75 | 11.5±0.1 | 6.1±0.1 | 16±0.1 | 6.3 Ref | 0.4±0.05 |

■ Reel Dimensions(Unit:mm)

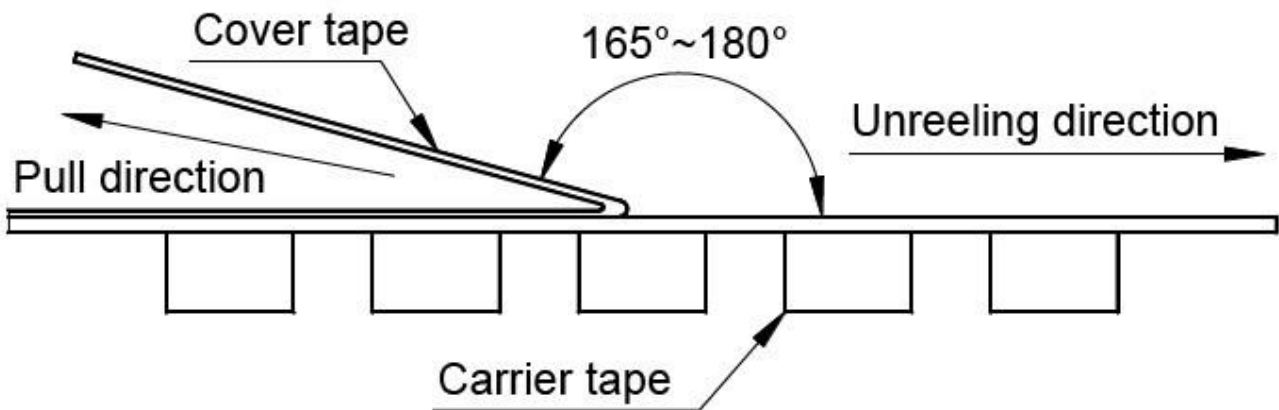


| TYPE | W | W1 | W2 | W3 | A | B | C | D |
|---------|----------|-----------|-----------|-----------|-----------|-----------|----------|---------|
| XRRH125 | 330±2.00 | 24.4±1.50 | 30.40 Max | 23.90 Min | 13.0±0.50 | 21.0±0.80 | 2.0±0.50 | 100 Min |

Direction of rolling



Cover tape peel off condition



Cover tape peel force shall be 0.1N to 1.3N.

Reference peel speed 300 ± 10 mm/min.

X-ON Electronics

Largest Supplier of Electrical and Electronic Components

Click to view similar products for [Fixed Inductors](#) category:

Click to view products by [MaxLinear](#) manufacturer:

Other Similar products are found below :

[CR32NP-100KC](#) [CR54NP-470LC](#) [70F224AI](#) [MGDQ4-00004-P](#) [MHQ1005P10NJ](#) [MHQ1005P1N0S](#) [MHQ1005P2N4S](#) [MHQ1005P3N6S](#)
[MHQ1005P5N1S](#) [MHQ1005P8N2J](#) [PE-53601NL](#) [PE-53602NL](#) [PG0936.113NLT](#) [9220-20](#) [9310-16](#) [PM06-2N7](#) [PM06-39NJ](#) [A01TK](#)
[1206CS-471XJ](#) [HC2-R47-R](#) [HC8-1R2-R](#) [HCF1305-3R3-R](#) [1206CS-151XG](#) [RCH664NP-140L](#) [RCH664NP-4R7M](#) [RCP1317NP-391L](#)
[RCR110DNP-331L](#) [DH2280-4R7M](#) [DS1608C-106](#) [B10TJ](#) [B82498B3101J000](#) [ELJ-RE27NJF2](#) [1812CS-153XJ](#) [1812CS-183XJ](#) [1812CS-](#)
[223XJ](#) [1812LS-104XJ](#) [1812LS-105XJ](#) [1812LS-124XJ](#) [1812LS-154XJ](#) [1812LS-223XJ](#) [1812LS-224XJ](#) [1812LS-563XJ](#) [1812LS-683XJ](#)
[1812LS-824XJ](#) [NIN-FB101JTR110F](#) [NIN-FB471JTR62F](#) [NIN-FC1R5JTR220F](#) [NIN-HCR15JTRF](#) [NIN-HCR33JTRF](#) [NIN-HDR22JTRF](#)