

■ Features

- High current type.
- Ferrite bobbin core and compact size.
- Low core loss for high frequency power application.
- Large terminal surface for good PCB bonding.
- Operating temperature: -40°C ~ +125°C.

■ Applications

- Portable communication equipment.
- Notebook PC, digital camera, LCD television set.
- Power supply for VTR, OA equipment.
- DC/DC converters.

■ Product Identification

$\frac{\text{XRRH}}{(1)}$ $\frac{\square\square\square}{(2)}$ $-$ $\frac{\square\square\square}{(3)}$ $\frac{\text{M}}{(4)}$

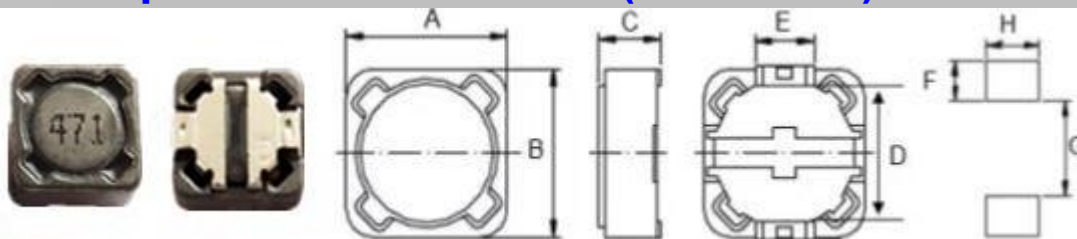
(1) : Type

(2) : Dimensions

(3) : Inductance value

(4) : Inductance Tolerance; M=±20%

■ Shapes and Dimensions (Unit: mm)



TYPE	A	B	C max	D	E	F Ref.	G Ref.	H Ref.
XRRH125	12.0±0.5	12.0±0.5	6.0	7.60±0.2	5.0	2.8	7.0	5.4

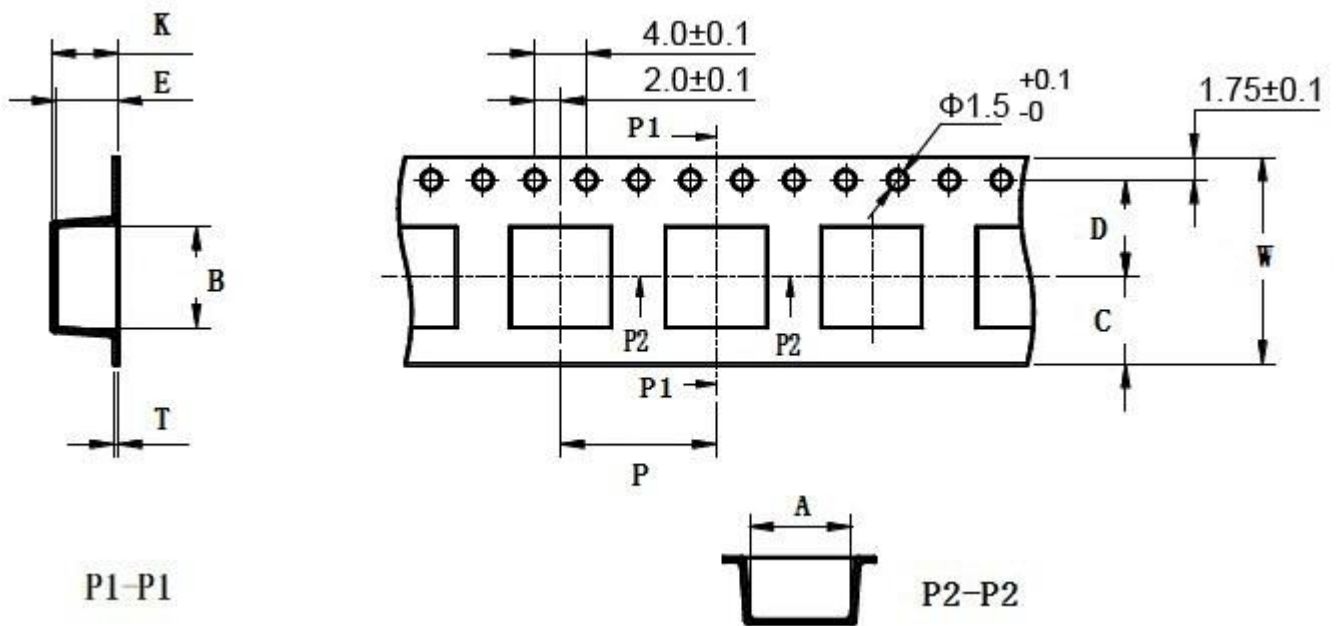
XRRH125 Series-Power Inductors

Part Number	Inductance (uH)	L Test Frequency (KHz)	Max.DC Resistance (Ω)	MAX.Rated Current (A)
XRRH125-1R0M	1.00	100	0.012	8.00
XRRH125-1R2M	1.20	100	0.012	8.00
XRRH125-1R5M	1.50	100	0.013	7.70
XRRH125-1R8M	1.80	100	0.014	7.40
XRRH125-2R1M	2.10	100	0.014	7.00
XRRH125-2R2M	2.20	100	0.015	7.00
XRRH125-2R7M	2.70	100	0.017	6.40
XRRH125-3R0M	3.00	100	0.018	5.80
XRRH125-3R3M	3.30	100	0.019	5.40
XRRH125-4R4M	4.40	100	0.020	5.00
XRRH125-4R7M	4.70	100	0.020	4.80
XRRH125-5R6M	5.60	100	0.021	4.40
XRRH125-6R8M	6.80	100	0.022	4.30
XRRH125-7R5M	7.50	100	0.024	4.20
XRRH125-7R7M	7.70	100	0.024	4.20
XRRH125-8R2M	8.20	100	0.025	4.10
XRRH125-100M	10.0	100	0.025	4.00
XRRH125-120M	12.0	100	0.027	3.50
XRRH125-150M	15.0	100	0.030	3.30
XRRH125-180M	18.0	100	0.034	3.00
XRRH125-220M	22.0	100	0.036	2.80
XRRH125-270M	27.0	100	0.051	2.30
XRRH125-330M	33.0	100	0.060	2.10
XRRH125-390M	39.0	100	0.068	2.00
XRRH125-470M	47.0	100	0.075	1.80
XRRH125-560M	56.0	100	0.110	1.70

Part Number	Inductance (uH)	L Test Frequency (KHz)	Max.DC Resistance (Ω)	MAX.Rated Current (A)
XRRH125-680M	68.0	100	0.120	1.50
XRRH125-820M	82.0	100	0.140	1.40
XRRH125-101M	100	100	0.160	1.30
XRRH125-121M	120	100	0.170	1.10
XRRH125-151M	150	100	0.230	1.00
XRRH125-181M	180	100	0.290	0.90
XRRH125-221M	220	100	0.400	0.80
XRRH125-271M	270	100	0.460	0.75
XRRH125-331M	330	100	0.510	0.68
XRRH125-391M	390	100	0.690	0.65
XRRH125-471M	470	100	0.770	0.58
XRRH125-561M	560	100	0.860	0.54
XRRH125-681M	680	100	1.200	0.48
XRRH125-821M	820	100	1.340	0.43
XRRH125-102M	1000	100	1.530	0.40
XRRH125-103M	10000	100	18.000	0.06

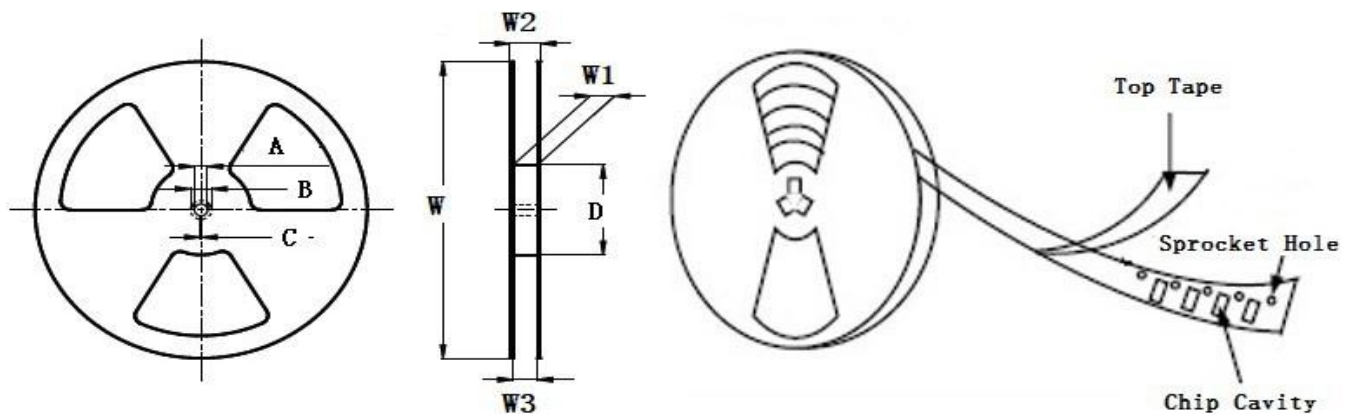
- ※ The saturation current value is the DC current value having inductance decrease down to 30%.(at 20°C)
- ※ The temperature rise current value is the DC current value having temperature increase up to 40°C. (at 20°C)
- ※ The rated current is the DC current value that satisfies both of current value saturation current value and temperature rise current value.

■ Taping Dimensions(Unit:mm)



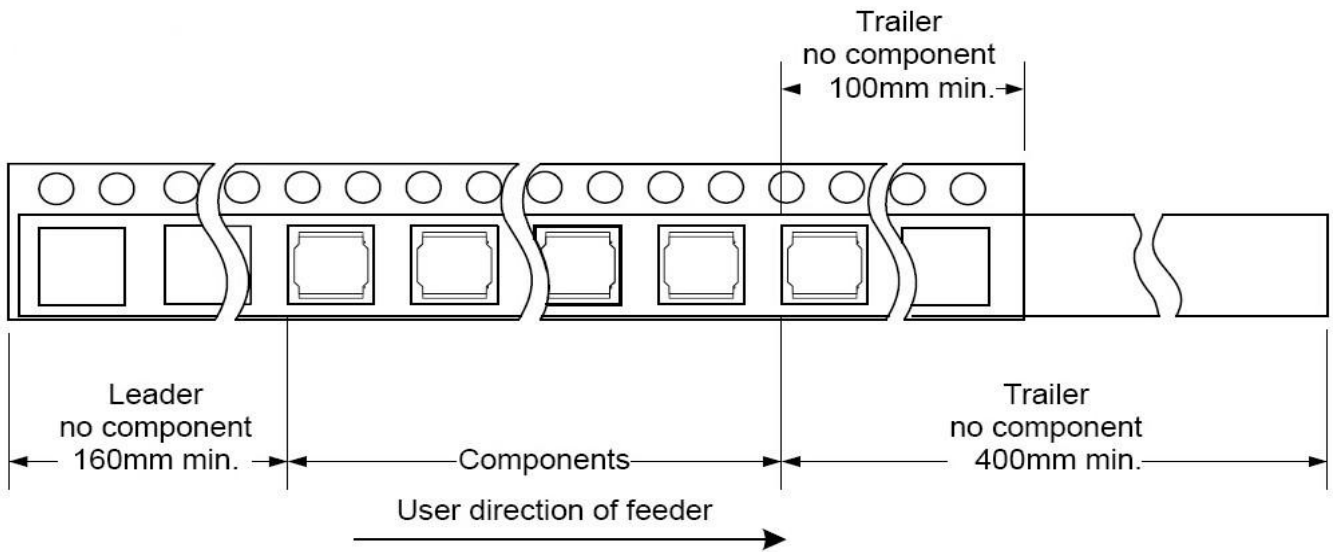
TYPE	MPQ	W	A	B	C	D	E	P	K	T
XRRH125	500	24±0.3	12.6±0.1	12.6±0.1	10.75	11.5±0.1	6.1±0.1	16±0.1	6.3 Ref	0.4±0.05

■ Reel Dimensions(Unit:mm)

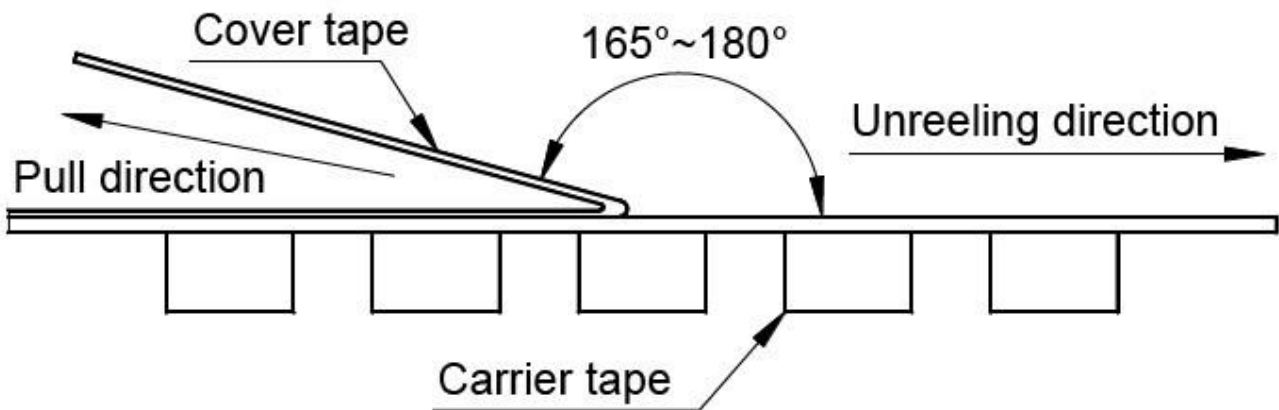


TYPE	W	W1	W2	W3	A	B	C	D
XRRH125	330±2.00	24.4±1.50	30.40 Max	23.90 Min	13.0±0.50	21.0±0.80	2.0±0.50	100 Min

Direction of rolling



Cover tape peel off condition



Cover tape peel force shall be 0.1N to 1.3N.

Reference peel speed 300 ± 10 mm/min.

X-ON Electronics

Largest Supplier of Electrical and Electronic Components

Click to view similar products for [Fixed Inductors](#) category:

Click to view products by [MaxLinear](#) manufacturer:

Other Similar products are found below :

[CR32NP-100KC](#) [CR54NP-470LC](#) [70F224AI](#) [MGDQ4-00004-P](#) [MHQ1005P10NJ](#) [MHQ1005P1N0S](#) [MHQ1005P2N4S](#) [MHQ1005P3N6S](#)
[MHQ1005P5N1S](#) [MHQ1005P8N2J](#) [PE-53601NL](#) [PE-53602NL](#) [PG0936.113NLT](#) [9220-20](#) [9310-16](#) [PM06-2N7](#) [PM06-39NJ](#) [A01TK](#)
[1206CS-471XJ](#) [HC2-R47-R](#) [HC8-1R2-R](#) [HCF1305-3R3-R](#) [1206CS-151XG](#) [RCH664NP-140L](#) [RCH664NP-4R7M](#) [RCP1317NP-391L](#)
[RCR110DNP-331L](#) [DH2280-4R7M](#) [DS1608C-106](#) [B10TJ](#) [B82498B3101J000](#) [ELJ-RE27NJF2](#) [1812CS-153XJ](#) [1812CS-183XJ](#) [1812CS-](#)
[223XJ](#) [1812LS-104XJ](#) [1812LS-105XJ](#) [1812LS-124XJ](#) [1812LS-154XJ](#) [1812LS-223XJ](#) [1812LS-224XJ](#) [1812LS-563XJ](#) [1812LS-683XJ](#)
[1812LS-824XJ](#) [NIN-FB101JTR110F](#) [NIN-FB471JTR62F](#) [NIN-FC1R5JTR220F](#) [NIN-HCR15JTRF](#) [NIN-HCR33JTRF](#) [NIN-HDR22JTRF](#)