

■ Features

- High current type.
- Ferrite bobbin core and compact size.
- Low core loss for high frequency power application.
- Large terminal surface for good PCB bonding.
- Operating temperature: $-40^{\circ}\text{C} \sim +125^{\circ}\text{C}$.

■ Applications

- Portable communication equipment.
- Notebook PC, digital camera, LCD television set.
- Power supply for VTR, OA equipment.
- DC/DC converters.

■ Product Identification

$\frac{\text{XRRH}}{(1)} \quad \frac{\square\square\square}{(2)} - \frac{\square\square\square}{(3)} \quad \frac{\text{M}}{(4)}$

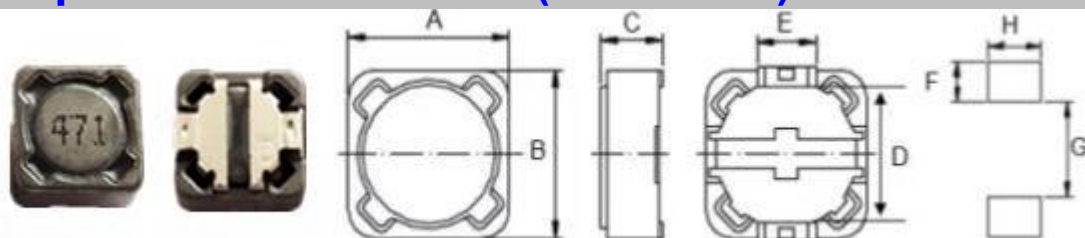
(1) : Type

(2) : Dimensions

(3) : Inductance value

(4) : Inductance Tolerance; M= $\pm 20\%$

■ Shapes and Dimensions (Unit: mm)



| TYPE | A | B | C max | D | E | F Ref. | G Ref. | H Ref. |
|---------|----------------|----------------|-------|----------------|-----|--------|--------|--------|
| XRRH127 | 12.0 \pm 0.5 | 12.0 \pm 0.5 | 8.0 | 7.60 \pm 0.2 | 5.0 | 2.8 | 7.0 | 5.4 |

XRRH127 Series-Power Inductors

| Part Number | Inductance (uH) | L Test Frequency (KHz) | Max.DC Resistance (Ω) | MAX.Rated Current (A) |
|--------------------|----------------------------|-----------------------------------|----------------------------------|----------------------------------|
| XRRH127-1R0M | 1.00 | 100 | 0.0065 | 10.00 |
| XRRH127-1R2M | 1.20 | 100 | 0.007 | 9.80 |
| XRRH127-1R5M | 1.50 | 100 | 0.008 | 9.40 |
| XRRH127-1R8M | 1.80 | 100 | 0.010 | 9.00 |
| XRRH127-2R2M | 2.20 | 100 | 0.012 | 8.00 |
| XRRH127-2R7M | 2.70 | 100 | 0.013 | 8.00 |
| XRRH127-3R3M | 3.30 | 100 | 0.013 | 8.00 |
| XRRH127-3R9M | 3.90 | 100 | 0.014 | 7.50 |
| XRRH127-4R7M | 4.70 | 100 | 0.016 | 6.80 |
| XRRH127-5R6M | 5.60 | 100 | 0.017 | 6.40 |
| XRRH127-6R8M | 6.80 | 100 | 0.019 | 6.20 |
| XRRH127-7R0M | 7.00 | 100 | 0.019 | 6.10 |
| XRRH127-7R6M | 7.60 | 100 | 0.020 | 5.90 |
| XRRH127-8R2M | 8.20 | 100 | 0.020 | 5.60 |
| XRRH127-100M | 10.0 | 100 | 0.022 | 5.40 |
| XRRH127-120M | 12.0 | 100 | 0.025 | 4.90 |
| XRRH127-150M | 15.0 | 100 | 0.030 | 4.50 |
| XRRH127-180M | 18.0 | 100 | 0.039 | 3.90 |
| XRRH127-220M | 22.0 | 100 | 0.043 | 3.60 |
| XRRH127-270M | 27.0 | 100 | 0.046 | 3.40 |
| XRRH127-330M | 33.0 | 100 | 0.065 | 3.00 |
| XRRH127-390M | 39.0 | 100 | 0.073 | 2.75 |
| XRRH127-470M | 47.0 | 100 | 0.100 | 2.50 |
| XRRH127-530M | 53.0 | 100 | 0.100 | 2.45 |
| XRRH127-560M | 56.0 | 100 | 0.110 | 2.35 |

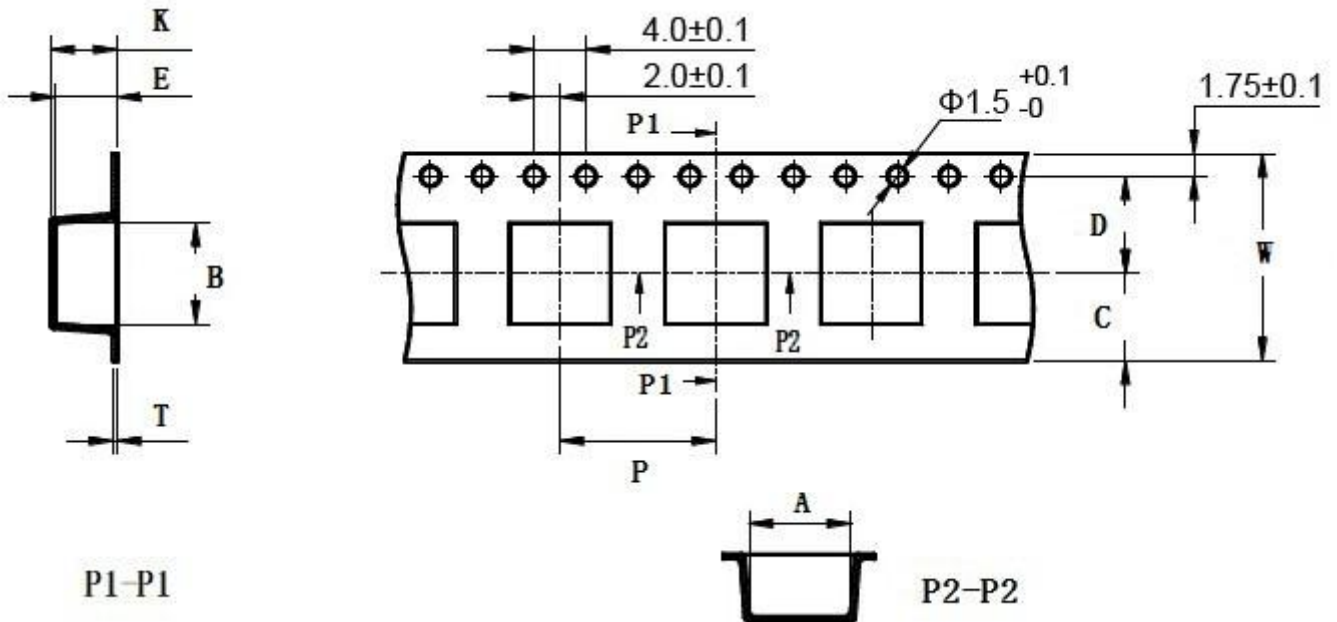
| Part Number | Inductance (μ H) | L Test Frequency (KHz) | Max.DC Resistance (Ω) | MAX.Rated Current (A) |
|--------------|--------------------------|---------------------------|-----------------------------------|--------------------------|
| XRRH127-680M | 68.0 | 100 | 0.140 | 2.10 |
| XRRH127-820M | 82.0 | 100 | 0.160 | 1.95 |
| XRRH127-101M | 100 | 100 | 0.220 | 1.70 |
| XRRH127-121M | 120 | 100 | 0.250 | 1.60 |
| XRRH127-151M | 150 | 100 | 0.280 | 1.42 |
| XRRH127-181M | 180 | 100 | 0.350 | 1.30 |
| XRRH127-221M | 220 | 100 | 0.390 | 1.16 |
| XRRH127-271M | 270 | 100 | 0.560 | 1.06 |
| XRRH127-331M | 330 | 100 | 0.640 | 0.95 |
| XRRH127-391M | 390 | 100 | 0.700 | 0.88 |
| XRRH127-471M | 470 | 100 | 0.980 | 0.79 |
| XRRH127-561M | 560 | 100 | 1.070 | 0.73 |
| XRRH127-681M | 680 | 100 | 1.460 | 0.67 |
| XRRH127-821M | 820 | 100 | 1.640 | 0.60 |
| XRRH127-102M | 1000 | 100 | 1.820 | 0.55 |
| XRRH127-122M | 1200 | 100 | 2.600 | 0.48 |
| XRRH127-222M | 2200 | 100 | 5.200 | 0.24 |
| XRRH127-332M | 3300 | 100 | 8.00 | 0.16 |
| XRRH127-472M | 4700 | 100 | 12.00 | 0.12 |
| XRRH127-103M | 10000 | 100 | 24.00 | 0.06 |

※ The saturation current value is the DC current value having inductance decrease down to 30%.(at 20℃)

※ The temperature rise current value is the DC current value having temperature increase up to 40℃. (at 20℃)

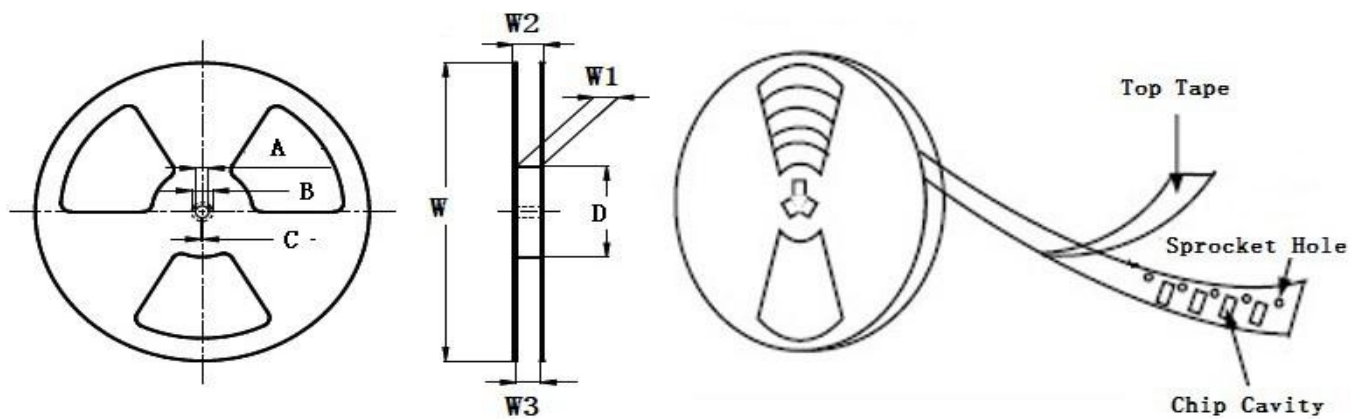
※ The rated current is the DC current value that satisfies both of current value saturation current value and temperature rise current value.

■ Taping Dimensions(Unit:mm)



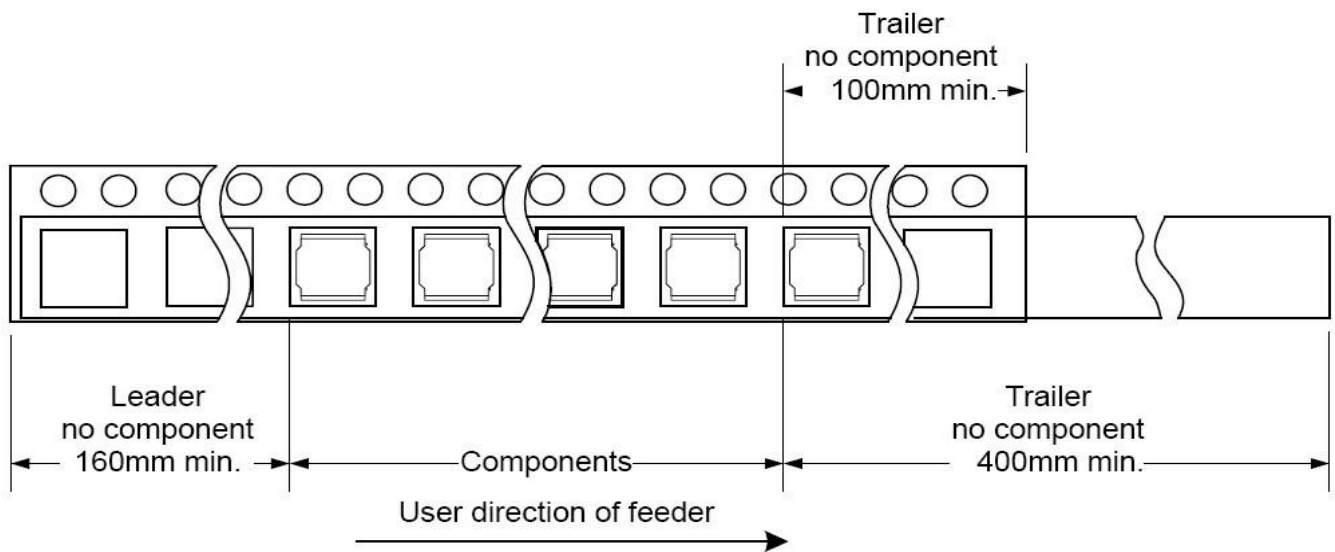
| TYPE | MPQ | W | A | B | C | D | E | P | K | T |
|---------|-----|--------|----------|----------|-------|----------|---------|--------|---------|----------|
| XRRH127 | 500 | 24±0.3 | 12.6±0.1 | 12.6±0.1 | 10.75 | 11.5±0.1 | 8.2±0.1 | 16±0.1 | 8.4 Ref | 0.4±0.05 |

■ Reel Dimensions(Unit:mm)

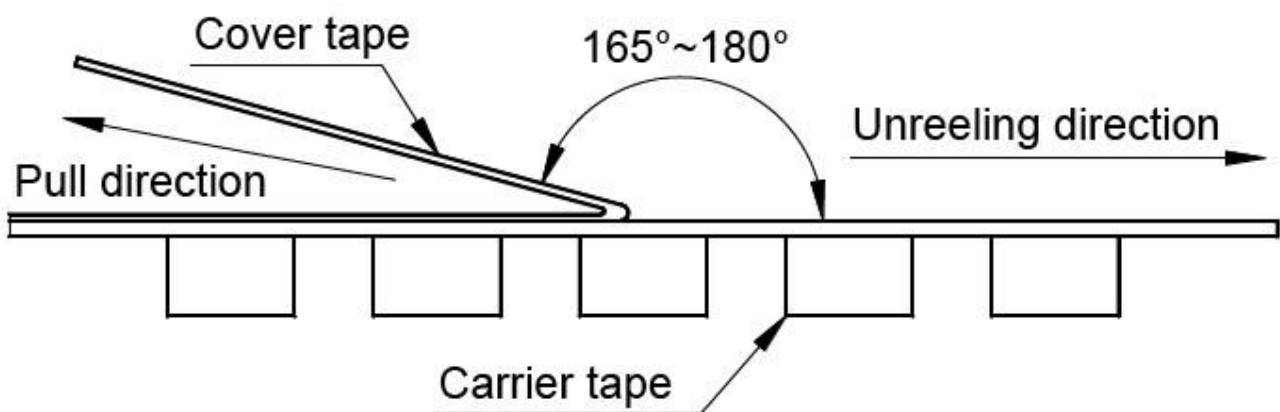


| TYPE | W | W1 | W2 | W3 | A | B | C | D |
|---------|----------|-----------|-----------|-----------|-----------|-----------|----------|---------|
| XRRH127 | 330±2.00 | 24.4±1.50 | 30.40 Max | 23.90 Min | 13.0±0.50 | 21.0±0.80 | 2.0±0.50 | 100 Min |

Direction of rolling



Cover tape peel off condition



Cover tape peel force shall be 0.1N to 1.3N.

Reference peel speed 300 ± 10 mm/min.

X-ON Electronics

Largest Supplier of Electrical and Electronic Components

Click to view similar products for [Fixed Inductors](#) category:

Click to view products by [MaxLinear](#) manufacturer:

Other Similar products are found below :

[CR32NP-100KC](#) [CR54NP-470LC](#) [70F224AI](#) [MGDQ4-00004-P](#) [MHQ1005P10NJ](#) [MHQ1005P1N0S](#) [MHQ1005P2N4S](#) [MHQ1005P3N6S](#)
[MHQ1005P5N1S](#) [MHQ1005P8N2J](#) [PE-53601NL](#) [PE-53602NL](#) [PG0936.113NLT](#) [9220-20](#) [9310-16](#) [PM06-2N7](#) [PM06-39NJ](#) [A01TK](#)
[1206CS-471XJ](#) [HC2-R47-R](#) [HC8-1R2-R](#) [HCF1305-3R3-R](#) [1206CS-151XG](#) [RCH664NP-140L](#) [RCH664NP-4R7M](#) [RCP1317NP-391L](#)
[RCR110DNP-331L](#) [DH2280-4R7M](#) [DS1608C-106](#) [B10TJ](#) [B82498B3101J000](#) [ELJ-RE27NJF2](#) [1812CS-153XJ](#) [1812CS-183XJ](#) [1812CS-](#)
[223XJ](#) [1812LS-104XJ](#) [1812LS-105XJ](#) [1812LS-124XJ](#) [1812LS-154XJ](#) [1812LS-223XJ](#) [1812LS-224XJ](#) [1812LS-563XJ](#) [1812LS-683XJ](#)
[1812LS-824XJ](#) [NIN-FB101JTR110F](#) [NIN-FB471JTR62F](#) [NIN-FC1R5JTR220F](#) [NIN-HCR15JTRF](#) [NIN-HCR33JTRF](#) [NIN-HDR22JTRF](#)