

## ■ Features

- High current type.
- Ferrite bobbin core and compact size.
- Low core loss for high frequency power application.
- Large terminal surface for good PCB bonding.
- Operating temperature:  $-40^{\circ}\text{C} \sim +125^{\circ}\text{C}$ .

## ■ Applications

- Portable communication equipment.
- Notebook PC, digital camera, LCD television set.
- Power supply for VTR, OA equipment.
- DC/DC converters.

## ■ Product Identification

$\frac{\text{XRRH}}{(1)} \quad \frac{\square\square\square}{(2)} - \frac{\square\square\square}{(3)} \quad \frac{\text{M}}{(4)}$

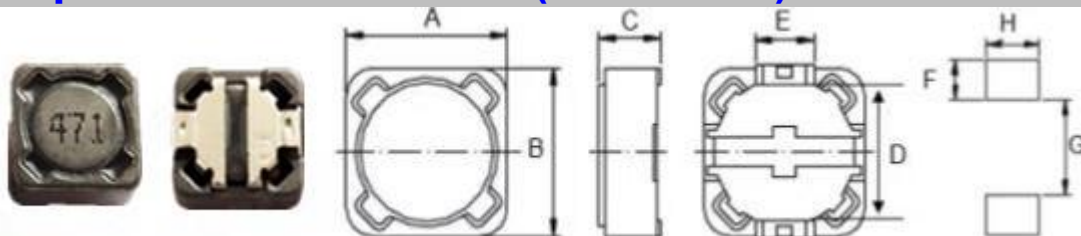
(1) : Type

(2) : Dimensions

(3) : Inductance value

(4) : Inductance Tolerance; M= $\pm 20\%$

## ■ Shapes and Dimensions (Unit: mm)



TYPE	A	B	C max	D	E	F Ref.	G Ref.	H Ref.
XRRH127	12.0 $\pm$ 0.5	12.0 $\pm$ 0.5	8.0	7.60 $\pm$ 0.2	5.0	2.8	7.0	5.4

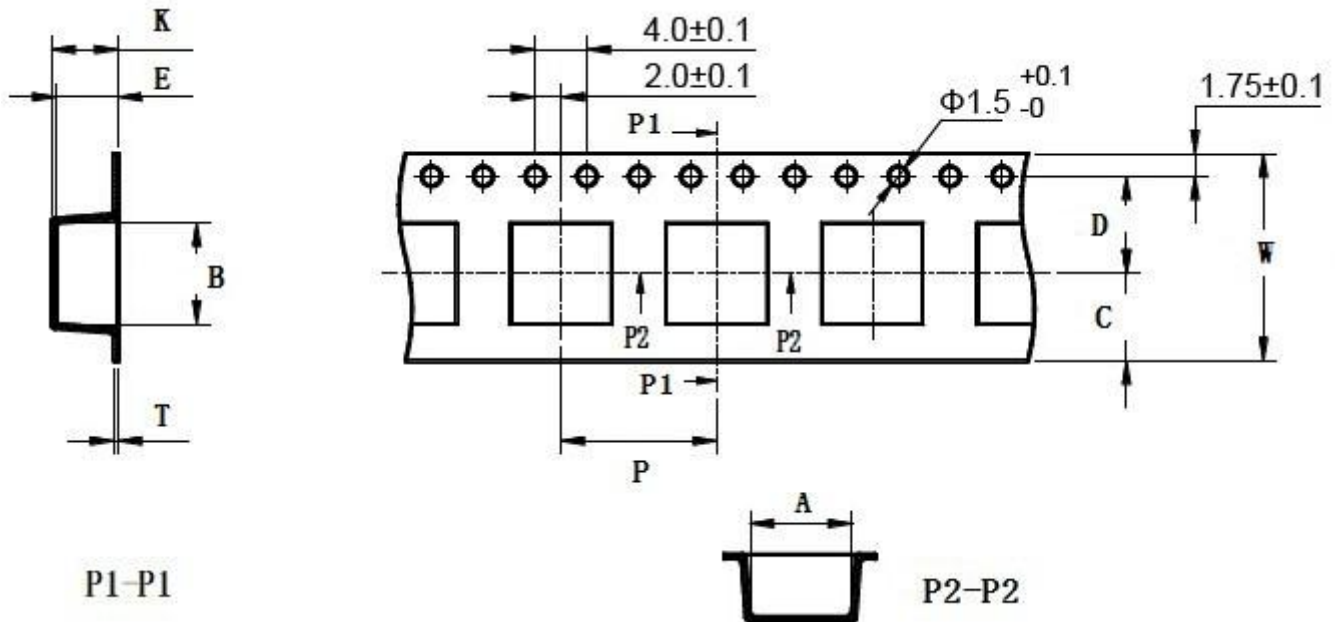
### XRRH127 Series-Power Inductors

<b>Part Number</b>	<b>Inductance (uH)</b>	<b>L Test Frequency (KHz)</b>	<b>Max.DC Resistance (Ω)</b>	<b>MAX.Rated Current (A)</b>
XRRH127-1R0M	1.00	100	0.0065	10.00
XRRH127-1R2M	1.20	100	0.007	9.80
XRRH127-1R5M	1.50	100	0.008	9.40
XRRH127-1R8M	1.80	100	0.010	9.00
XRRH127-2R2M	2.20	100	0.012	8.00
XRRH127-2R7M	2.70	100	0.013	8.00
XRRH127-3R3M	3.30	100	0.013	8.00
XRRH127-3R9M	3.90	100	0.014	7.50
XRRH127-4R7M	4.70	100	0.016	6.80
XRRH127-5R6M	5.60	100	0.017	6.40
XRRH127-6R8M	6.80	100	0.019	6.20
XRRH127-7R0M	7.00	100	0.019	6.10
XRRH127-7R6M	7.60	100	0.020	5.90
XRRH127-8R2M	8.20	100	0.020	5.60
XRRH127-100M	10.0	100	0.022	5.40
XRRH127-120M	12.0	100	0.025	4.90
XRRH127-150M	15.0	100	0.030	4.50
XRRH127-180M	18.0	100	0.039	3.90
XRRH127-220M	22.0	100	0.043	3.60
XRRH127-270M	27.0	100	0.046	3.40
XRRH127-330M	33.0	100	0.065	3.00
XRRH127-390M	39.0	100	0.073	2.75
XRRH127-470M	47.0	100	0.100	2.50
XRRH127-530M	53.0	100	0.100	2.45
XRRH127-560M	56.0	100	0.110	2.35

Part Number	Inductance ( $\mu$ H)	L Test Frequency (KHz)	Max.DC Resistance ( $\Omega$ )	MAX.Rated Current (A)
XRRH127-680M	68.0	100	0.140	2.10
XRRH127-820M	82.0	100	0.160	1.95
XRRH127-101M	100	100	0.220	1.70
XRRH127-121M	120	100	0.250	1.60
XRRH127-151M	150	100	0.280	1.42
XRRH127-181M	180	100	0.350	1.30
XRRH127-221M	220	100	0.390	1.16
XRRH127-271M	270	100	0.560	1.06
XRRH127-331M	330	100	0.640	0.95
XRRH127-391M	390	100	0.700	0.88
XRRH127-471M	470	100	0.980	0.79
XRRH127-561M	560	100	1.070	0.73
XRRH127-681M	680	100	1.460	0.67
XRRH127-821M	820	100	1.640	0.60
XRRH127-102M	1000	100	1.820	0.55
XRRH127-122M	1200	100	2.600	0.48
XRRH127-222M	2200	100	5.200	0.24
XRRH127-332M	3300	100	8.00	0.16
XRRH127-472M	4700	100	12.00	0.12
XRRH127-103M	10000	100	24.00	0.06

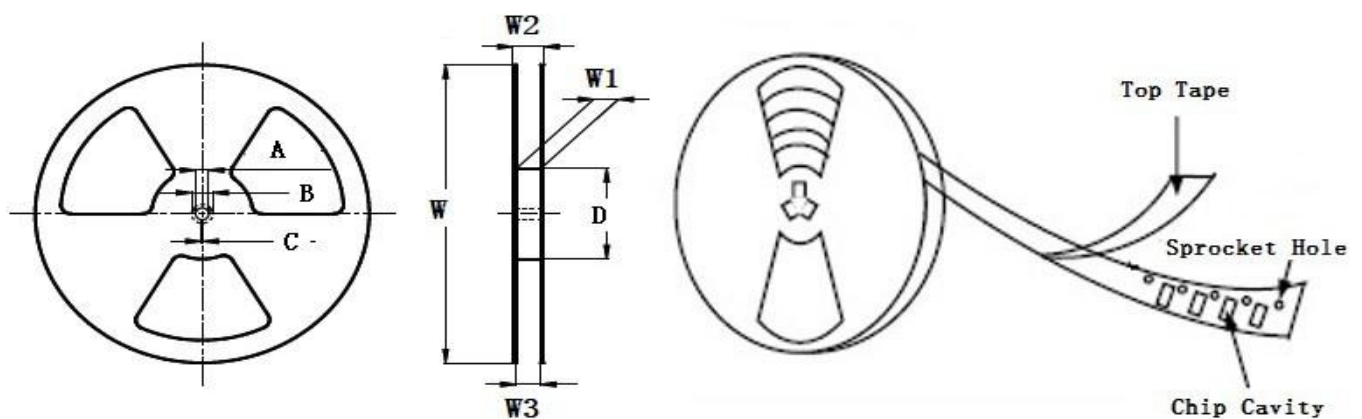
- ※ The saturation current value is the DC current value having inductance decrease down to 30%.(at 20℃)
- ※ The temperature rise current value is the DC current value having temperature increase up to 40℃. (at 20℃)
- ※ The rated current is the DC current value that satisfies both of current value saturation current value and temperature rise current value.

## ■ Taping Dimensions(Unit:mm)



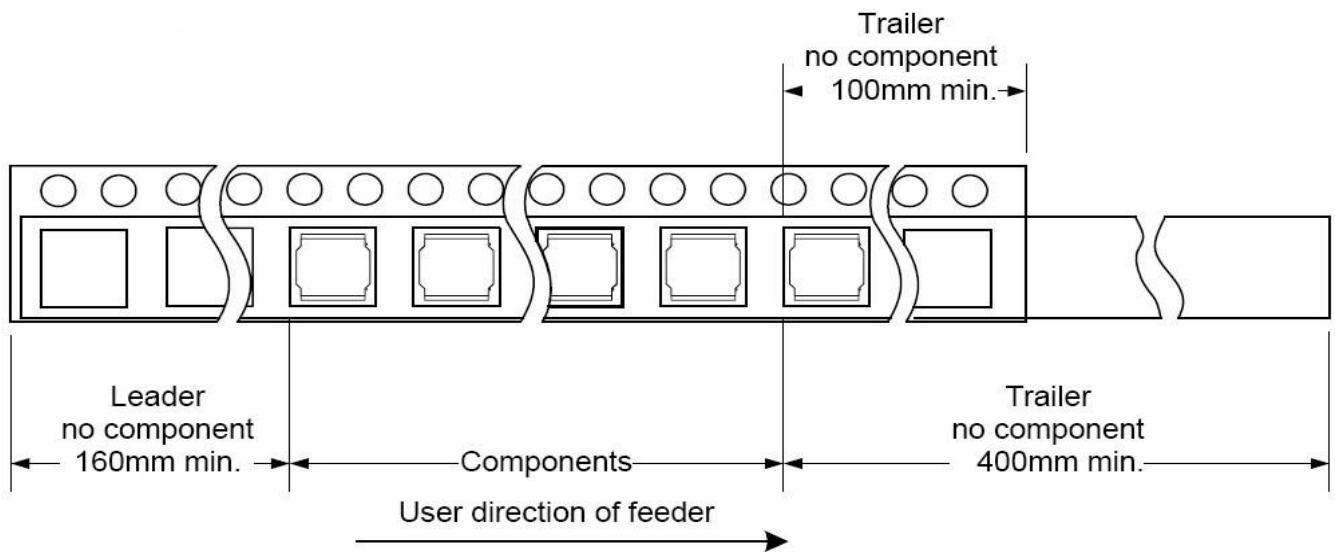
TYPE	MPQ	W	A	B	C	D	E	P	K	T
XRRH127	500	24±0.3	12.6±0.1	12.6±0.1	10.75	11.5±0.1	8.2±0.1	16±0.1	8.4 Ref	0.4±0.05

## ■ Reel Dimensions(Unit:mm)

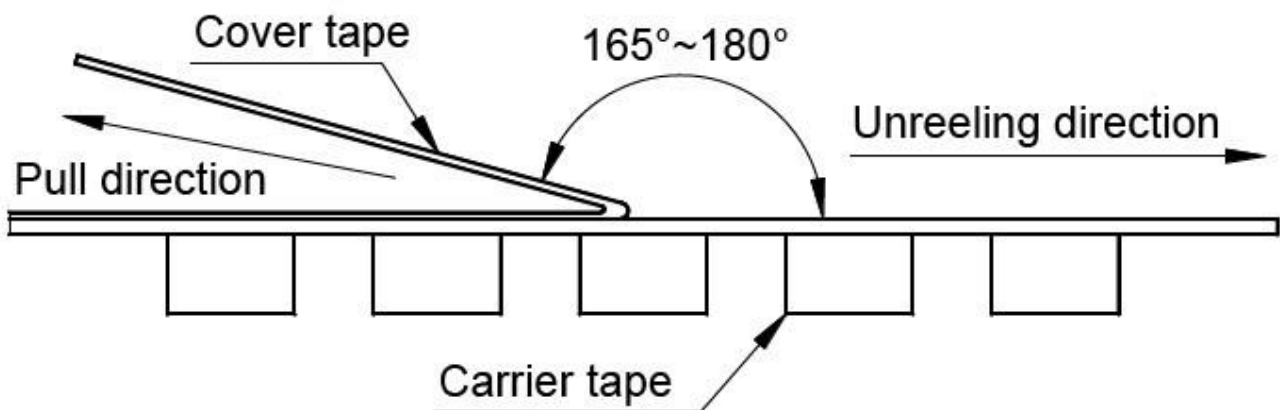


TYPE	W	W1	W2	W3	A	B	C	D
XRRH127	330±2.00	24.4±1.50	30.40 Max	23.90 Min	13.0±0.50	21.0±0.80	2.0±0.50	100 Min

## Direction of rolling



## Cover tape peel off condition



Cover tape peel force shall be 0.1N to 1.3N.

Reference peel speed  $300 \pm 10$  mm/min.

## X-ON Electronics

Largest Supplier of Electrical and Electronic Components

*Click to view similar products for [Fixed Inductors](#) category:*

*Click to view products by [MaxLinear](#) manufacturer:*

Other Similar products are found below :

[CR32NP-100KC](#) [CR54NP-470LC](#) [70F224AI](#) [MGDQ4-00004-P](#) [MHQ1005P10NJ](#) [MHQ1005P1N0S](#) [MHQ1005P2N4S](#) [MHQ1005P3N6S](#)  
[MHQ1005P5N1S](#) [MHQ1005P8N2J](#) [PE-53601NL](#) [PE-53602NL](#) [PG0936.113NLT](#) [9220-20](#) [9310-16](#) [PM06-2N7](#) [PM06-39NJ](#) [A01TK](#)  
[1206CS-471XJ](#) [HC2-R47-R](#) [HC8-1R2-R](#) [HCF1305-3R3-R](#) [1206CS-151XG](#) [RCH664NP-140L](#) [RCH664NP-4R7M](#) [RCP1317NP-391L](#)  
[RCR110DNP-331L](#) [DH2280-4R7M](#) [DS1608C-106](#) [B10TJ](#) [B82498B3101J000](#) [ELJ-RE27NJF2](#) [1812CS-153XJ](#) [1812CS-183XJ](#) [1812CS-](#)  
[223XJ](#) [1812LS-104XJ](#) [1812LS-105XJ](#) [1812LS-124XJ](#) [1812LS-154XJ](#) [1812LS-223XJ](#) [1812LS-224XJ](#) [1812LS-563XJ](#) [1812LS-683XJ](#)  
[1812LS-824XJ](#) [NIN-FB101JTR110F](#) [NIN-FB471JTR62F](#) [NIN-FC1R5JTR220F](#) [NIN-HCR15JTRF](#) [NIN-HCR33JTRF](#) [NIN-HDR22JTRF](#)