

## ■ Features

- High current type.
- Ferrite bobbin core and compact size.
- Low core loss for high frequency power application.
- Large terminal surface for good PCB bonding.
- Operating temperature: -40°C ~ +125°C.

## ■ Applications

- Portable communication equipment.
- Notebook PC, digital camera, LCD television set.
- Power supply for VTR, OA equipment.
- DC/DC converters.

## ■ Product Identification

$\frac{\text{XRRH}}{(1)}$      $\frac{\square\square\square}{(2)}$     —     $\frac{\square\square\square}{(3)}$      $\frac{M}{(4)}$

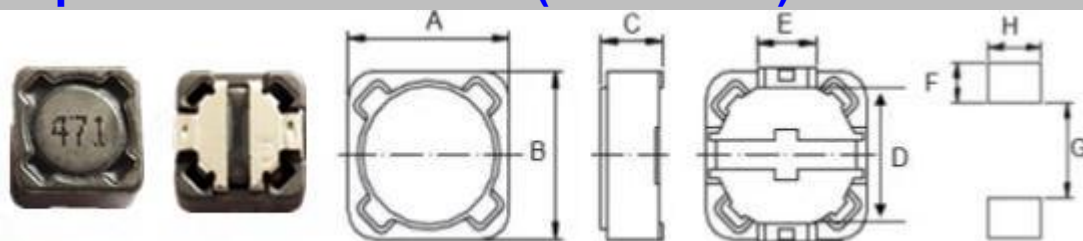
(1) : Type

(2) : Dimensions

(3) : Inductance value

(4) : Inductance Tolerance; M=±20%

## ■ Shapes and Dimensions (Unit: mm)



| TYPE    | A        | B        | C max | D        | E   | F Ref. | G Ref. | H Ref. |
|---------|----------|----------|-------|----------|-----|--------|--------|--------|
| XRRH129 | 12.0±0.5 | 12.0±0.5 | 10.0  | 7.60±0.2 | 5.0 | 2.8    | 7.0    | 5.4    |

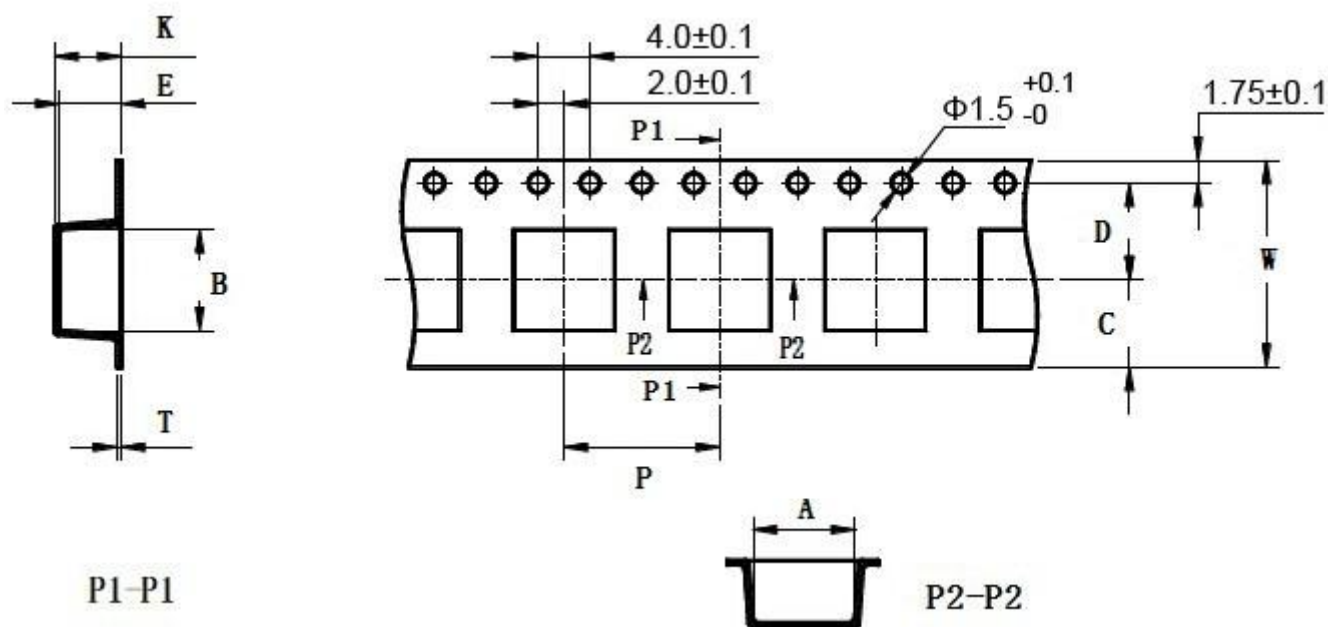
### XRRH129 Series-Power Inductors

| <b>Part Number</b> | <b>Inductance<br/>(uH)</b> | <b>L Test Frequency<br/>(KHz)</b> | <b>Max.DC Resistance<br/>(Ω)</b> | <b>MAX.Rated Current<br/>(A)</b> |
|--------------------|----------------------------|-----------------------------------|----------------------------------|----------------------------------|
| XRRH129-1R0M       | 1.00                       | 100                               | 0.006                            | 19.90                            |
| XRRH129-1R8M       | 1.80                       | 100                               | 0.007                            | 13.40                            |
| XRRH129-2R7M       | 2.70                       | 100                               | 0.008                            | 12.16                            |
| XRRH129-3R3M       | 3.30                       | 100                               | 0.010                            | 12.00                            |
| XRRH129-4R7M       | 4.70                       | 100                               | 0.011                            | 10.08                            |
| XRRH129-6R8M       | 6.80                       | 100                               | 0.013                            | 8.56                             |
| XRRH129-8R2M       | 8.20                       | 100                               | 0.014                            | 8.48                             |
| XRRH129-100M       | 10.0                       | 100                               | 0.018                            | 7.12                             |
| XRRH129-120M       | 12.0                       | 100                               | 0.019                            | 7.04                             |
| XRRH129-150M       | 15.0                       | 100                               | 0.026                            | 5.84                             |
| XRRH129-180M       | 18.0                       | 100                               | 0.028                            | 5.48                             |
| XRRH129-220M       | 22.0                       | 100                               | 0.029                            | 5.12                             |
| XRRH129-270M       | 27.0                       | 100                               | 0.042                            | 4.68                             |
| XRRH129-330M       | 33.0                       | 100                               | 0.053                            | 4.25                             |
| XRRH129-390M       | 39.0                       | 100                               | 0.058                            | 3.92                             |
| XRRH129-470M       | 47.0                       | 100                               | 0.063                            | 3.60                             |
| XRRH129-560M       | 56.0                       | 100                               | 0.068                            | 2.85                             |
| XRRH129-680M       | 68.0                       | 100                               | 0.093                            | 2.76                             |
| XRRH129-820M       | 82.0                       | 100                               | 0.099                            | 2.62                             |
| XRRH129-101M       | 100                        | 100                               | 0.126                            | 2.31                             |
| XRRH129-121M       | 120                        | 100                               | 0.154                            | 2.05                             |
| XRRH129-151M       | 150                        | 100                               | 0.174                            | 1.80                             |
| XRRH129-181M       | 180                        | 100                               | 0.191                            | 1.66                             |
| XRRH129-221M       | 220                        | 100                               | 0.246                            | 1.64                             |
| XRRH129-271M       | 270                        | 100                               | 0.314                            | 1.46                             |
| XRRH129-331M       | 330                        | 100                               | 0.386                            | 1.28                             |
| XRRH129-391M       | 390                        | 100                               | 0.428                            | 1.17                             |

| Part Number  | Inductance<br>( $\mu$ H) | L Test Frequency<br>(KHz) | Max.DC Resistance<br>( $\Omega$ ) | MAX.Rated Current<br>(A) |
|--------------|--------------------------|---------------------------|-----------------------------------|--------------------------|
| XRRH129-471M | 470                      | 100                       | 0.471                             | 1.06                     |
| XRRH129-561M | 560                      | 100                       | 0.650                             | 1.01                     |
| XRRH129-681M | 680                      | 100                       | 0.730                             | 0.83                     |
| XRRH129-821M | 820                      | 100                       | 0.824                             | 0.81                     |
| XRRH129-102M | 1000                     | 100                       | 1.220                             | 0.70                     |
| XRRH129-122M | 1200                     | 100                       | 1.330                             | 0.64                     |
| XRRH129-152M | 1500                     | 100                       | 1.990                             | 0.56                     |
| XRRH129-182M | 1800                     | 100                       | 2.180                             | 0.48                     |
| XRRH129-222M | 2200                     | 100                       | 2.580                             | 0.43                     |

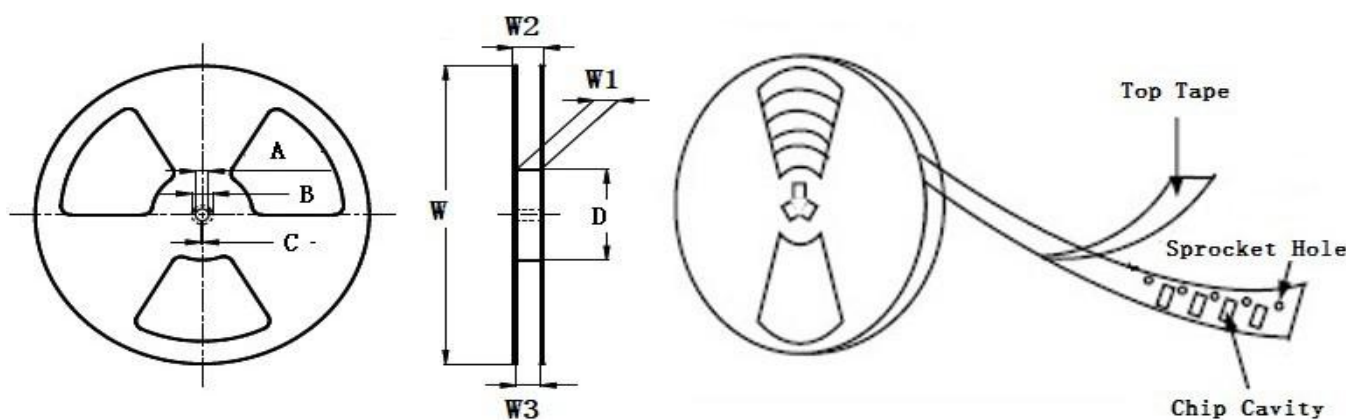
- ※ The saturation current value is the DC current value having inductance decrease down to 30%.(at 20°C)
- ※ The temperature rise current value is the DC current value having temperature increase up to 40°C. (at 20°C)
- ※ The rated current is the DC current value that satisfies both of current value saturation current value and temperature rise current value.

## ■ Taping Dimensions(Unit:mm)



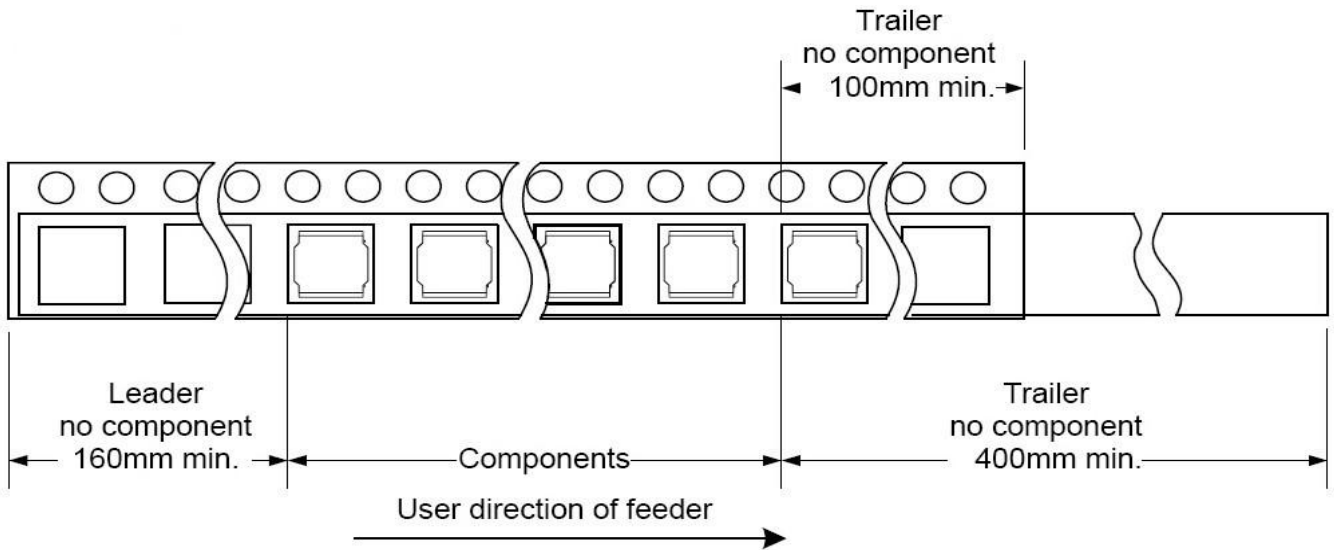
| TYPE    | MPQ | W      | A        | B        | C     | D        | E       | P      | K      | T        |
|---------|-----|--------|----------|----------|-------|----------|---------|--------|--------|----------|
| XRRH129 | 400 | 24±0.3 | 12.6±0.1 | 12.6±0.1 | 10.75 | 11.5±0.1 | 8.2±0.1 | 20±0.1 | 10 Ref | 0.4±0.05 |

## ■ Reel Dimensions(Unit:mm)

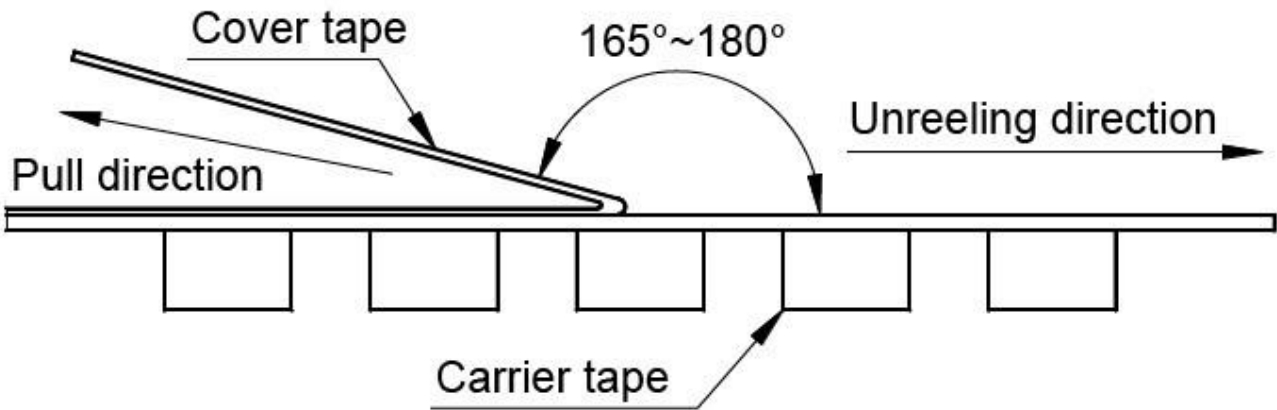


| TYPE    | W        | W1        | W2        | W3        | A         | B         | C        | D       |
|---------|----------|-----------|-----------|-----------|-----------|-----------|----------|---------|
| XRRH129 | 330±2.00 | 24.4±1.50 | 30.40 Max | 23.90 Min | 13.0±0.50 | 21.0±0.80 | 2.0±0.50 | 100 Min |

## Direction of rolling



## Cover tape peel off condition



Cover tape peel force shall be 0.1N to 1.3N.

Reference peel speed 300±10mm/min.

## X-ON Electronics

Largest Supplier of Electrical and Electronic Components

*Click to view similar products for [Fixed Inductors](#) category:*

*Click to view products by [MaxLinear](#) manufacturer:*

Other Similar products are found below :

[CR32NP-100KC](#) [CR54NP-470LC](#) [70F224AI](#) [MGDQ4-00004-P](#) [MHQ1005P10NJ](#) [MHQ1005P1N0S](#) [MHQ1005P2N4S](#) [MHQ1005P3N6S](#)  
[MHQ1005P5N1S](#) [MHQ1005P8N2J](#) [PE-53601NL](#) [PE-53602NL](#) [PG0936.113NLT](#) [9220-20](#) [9310-16](#) [PM06-2N7](#) [PM06-39NJ](#) [A01TK](#)  
[1206CS-471XJ](#) [HC2-R47-R](#) [HC8-1R2-R](#) [HCF1305-3R3-R](#) [1206CS-151XG](#) [RCH664NP-140L](#) [RCH664NP-4R7M](#) [RCP1317NP-391L](#)  
[RCR110DNP-331L](#) [DH2280-4R7M](#) [DS1608C-106](#) [B10TJ](#) [B82498B3101J000](#) [ELJ-RE27NJF2](#) [1812CS-153XJ](#) [1812CS-183XJ](#) [1812CS-](#)  
[223XJ](#) [1812LS-104XJ](#) [1812LS-105XJ](#) [1812LS-124XJ](#) [1812LS-154XJ](#) [1812LS-223XJ](#) [1812LS-224XJ](#) [1812LS-563XJ](#) [1812LS-683XJ](#)  
[1812LS-824XJ](#) [NIN-FB101JTR110F](#) [NIN-FB471JTR62F](#) [NIN-FC1R5JTR220F](#) [NIN-HCR15JTRF](#) [NIN-HCR33JTRF](#) [NIN-HDR22JTRF](#)