

■ Features

- High current type.
- Ferrite bobbin core and compact size.
- Low core loss for high frequency power application.
- Large terminal surface for good PCB bonding.
- Operating temperature: -40°C ~ +125°C.

■ Applications

- Portable communication equipment.
- Notebook PC, digital camera, LCD television set.
- Power supply for VTR, OA equipment.
- DC/DC converters.

■ Product Identification

$\frac{\text{XRRH}}{(1)} \quad \frac{\square\square\square}{(2)} \quad - \quad \frac{\square\square\square}{(3)} \quad \frac{M}{(4)}$

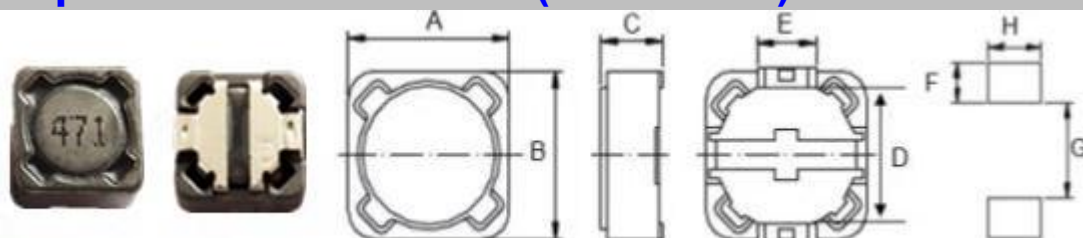
(1) : Type

(2) : Dimensions

(3) : Inductance value

(4) : Inductance Tolerance; M=±20%

■ Shapes and Dimensions (Unit: mm)



| TYPE | A | B | C max | D | E | F Ref. | G Ref. | H Ref. |
|---------|----------|----------|-------|----------|-----|--------|--------|--------|
| XRRH129 | 12.0±0.5 | 12.0±0.5 | 10.0 | 7.60±0.2 | 5.0 | 2.8 | 7.0 | 5.4 |

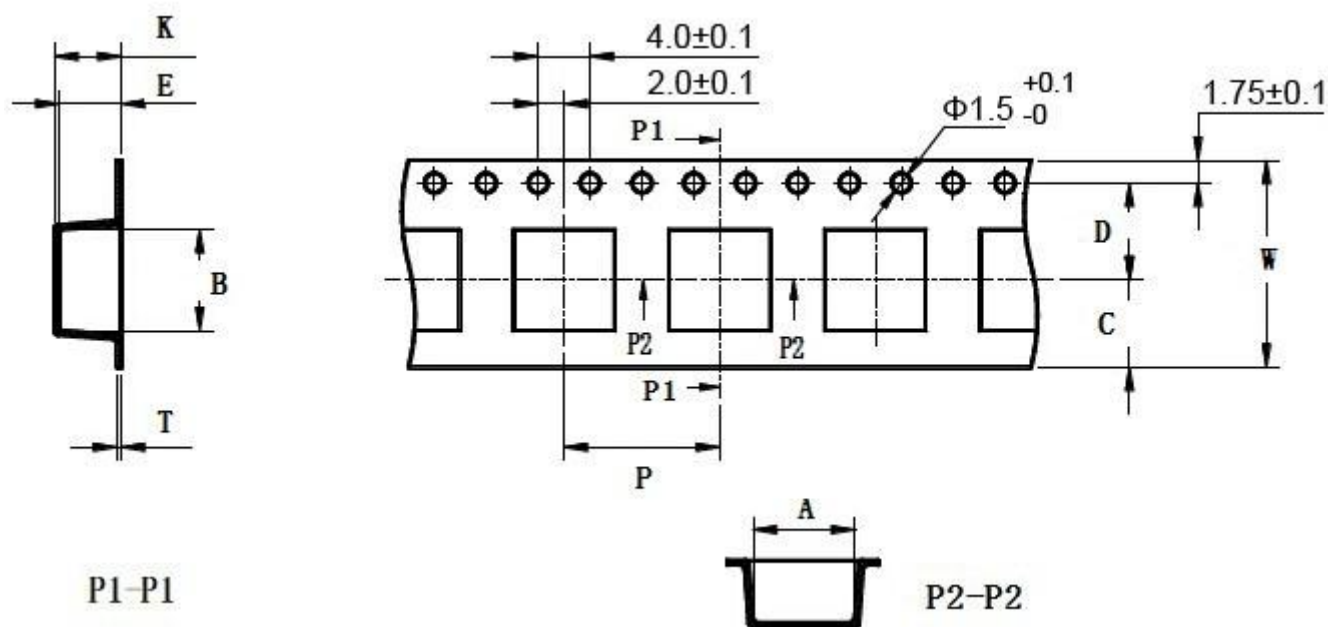
XRRH129 Series-Power Inductors

| Part Number | Inductance (uH) | L Test Frequency (KHz) | Max.DC Resistance (Ω) | MAX.Rated Current (A) |
|--------------------|----------------------------|-----------------------------------|----------------------------------|----------------------------------|
| XRRH129-1R0M | 1.00 | 100 | 0.006 | 19.90 |
| XRRH129-1R8M | 1.80 | 100 | 0.007 | 13.40 |
| XRRH129-2R7M | 2.70 | 100 | 0.008 | 12.16 |
| XRRH129-3R3M | 3.30 | 100 | 0.010 | 12.00 |
| XRRH129-4R7M | 4.70 | 100 | 0.011 | 10.08 |
| XRRH129-6R8M | 6.80 | 100 | 0.013 | 8.56 |
| XRRH129-8R2M | 8.20 | 100 | 0.014 | 8.48 |
| XRRH129-100M | 10.0 | 100 | 0.018 | 7.12 |
| XRRH129-120M | 12.0 | 100 | 0.019 | 7.04 |
| XRRH129-150M | 15.0 | 100 | 0.026 | 5.84 |
| XRRH129-180M | 18.0 | 100 | 0.028 | 5.48 |
| XRRH129-220M | 22.0 | 100 | 0.029 | 5.12 |
| XRRH129-270M | 27.0 | 100 | 0.042 | 4.68 |
| XRRH129-330M | 33.0 | 100 | 0.053 | 4.25 |
| XRRH129-390M | 39.0 | 100 | 0.058 | 3.92 |
| XRRH129-470M | 47.0 | 100 | 0.063 | 3.60 |
| XRRH129-560M | 56.0 | 100 | 0.068 | 2.85 |
| XRRH129-680M | 68.0 | 100 | 0.093 | 2.76 |
| XRRH129-820M | 82.0 | 100 | 0.099 | 2.62 |
| XRRH129-101M | 100 | 100 | 0.126 | 2.31 |
| XRRH129-121M | 120 | 100 | 0.154 | 2.05 |
| XRRH129-151M | 150 | 100 | 0.174 | 1.80 |
| XRRH129-181M | 180 | 100 | 0.191 | 1.66 |
| XRRH129-221M | 220 | 100 | 0.246 | 1.64 |
| XRRH129-271M | 270 | 100 | 0.314 | 1.46 |
| XRRH129-331M | 330 | 100 | 0.386 | 1.28 |
| XRRH129-391M | 390 | 100 | 0.428 | 1.17 |

| Part Number | Inductance (μ H) | L Test Frequency (KHz) | Max.DC Resistance (Ω) | MAX.Rated Current (A) |
|--------------|--------------------------|---------------------------|-----------------------------------|--------------------------|
| XRRH129-471M | 470 | 100 | 0.471 | 1.06 |
| XRRH129-561M | 560 | 100 | 0.650 | 1.01 |
| XRRH129-681M | 680 | 100 | 0.730 | 0.83 |
| XRRH129-821M | 820 | 100 | 0.824 | 0.81 |
| XRRH129-102M | 1000 | 100 | 1.220 | 0.70 |
| XRRH129-122M | 1200 | 100 | 1.330 | 0.64 |
| XRRH129-152M | 1500 | 100 | 1.990 | 0.56 |
| XRRH129-182M | 1800 | 100 | 2.180 | 0.48 |
| XRRH129-222M | 2200 | 100 | 2.580 | 0.43 |

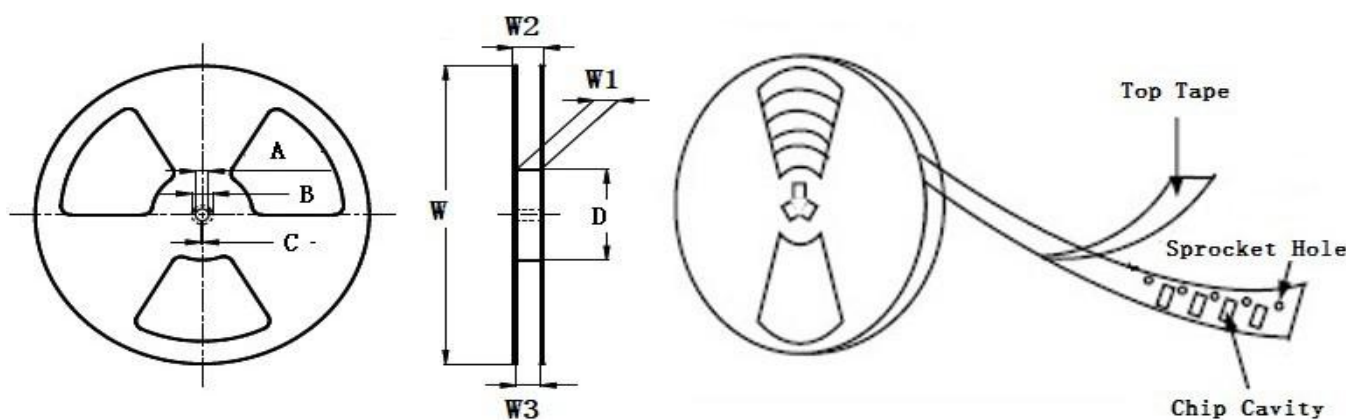
- ※ The saturation current value is the DC current value having inductance decrease down to 30%.(at 20°C)
- ※ The temperature rise current value is the DC current value having temperature increase up to 40°C. (at 20°C)
- ※ The rated current is the DC current value that satisfies both of current value saturation current value and temperature rise current value.

■ Taping Dimensions(Unit:mm)



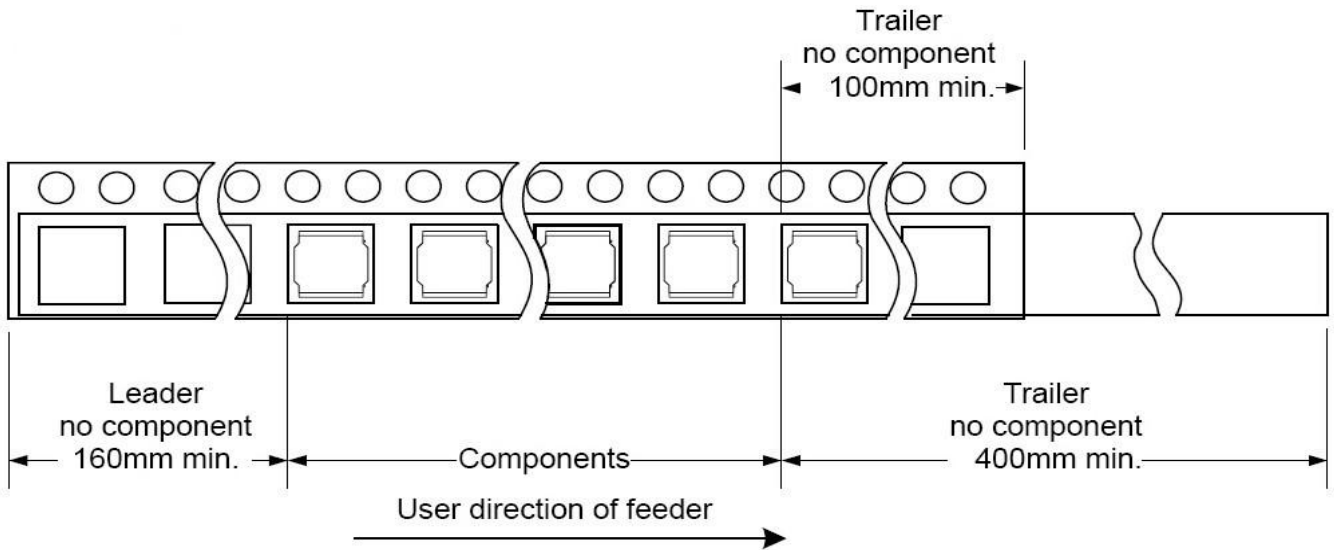
| TYPE | MPQ | W | A | B | C | D | E | P | K | T |
|---------|-----|--------------|----------------|----------------|-------|----------------|---------------|--------------|--------|----------------|
| XRRH129 | 400 | 24 ± 0.3 | 12.6 ± 0.1 | 12.6 ± 0.1 | 10.75 | 11.5 ± 0.1 | 8.2 ± 0.1 | 20 ± 0.1 | 10 Ref | 0.4 ± 0.05 |

■ Reel Dimensions(Unit:mm)

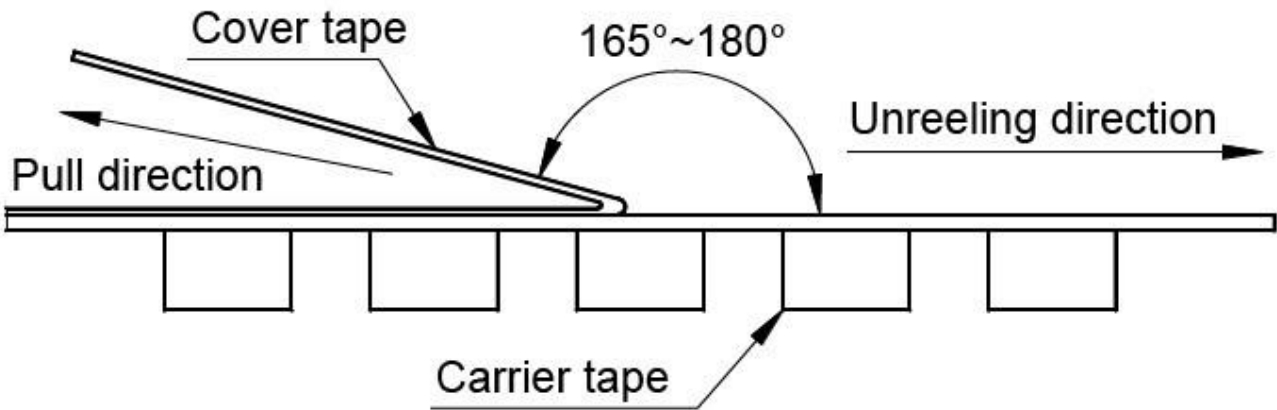


| TYPE | W | W1 | W2 | W3 | A | B | C | D |
|---------|----------------|-----------------|-----------|-----------|-----------------|-----------------|----------------|---------|
| XRRH129 | 330 ± 2.00 | 24.4 ± 1.50 | 30.40 Max | 23.90 Min | 13.0 ± 0.50 | 21.0 ± 0.80 | 2.0 ± 0.50 | 100 Min |

Direction of rolling



Cover tape peel off condition



Cover tape peel force shall be 0.1N to 1.3N.

Reference peel speed 300±10mm/min.

X-ON Electronics

Largest Supplier of Electrical and Electronic Components

Click to view similar products for [Fixed Inductors](#) category:

Click to view products by [MaxLinear](#) manufacturer:

Other Similar products are found below :

[CR32NP-100KC](#) [CR54NP-470LC](#) [70F224AI](#) [MGDQ4-00004-P](#) [MHQ1005P10NJ](#) [MHQ1005P1N0S](#) [MHQ1005P2N4S](#) [MHQ1005P3N6S](#)
[MHQ1005P5N1S](#) [MHQ1005P8N2J](#) [PE-53601NL](#) [PE-53602NL](#) [PG0936.113NLT](#) [9220-20](#) [9310-16](#) [PM06-2N7](#) [PM06-39NJ](#) [A01TK](#)
[1206CS-471XJ](#) [HC2-R47-R](#) [HC8-1R2-R](#) [HCF1305-3R3-R](#) [1206CS-151XG](#) [RCH664NP-140L](#) [RCH664NP-4R7M](#) [RCP1317NP-391L](#)
[RCR110DNP-331L](#) [DH2280-4R7M](#) [DS1608C-106](#) [B10TJ](#) [B82498B3101J000](#) [ELJ-RE27NJF2](#) [1812CS-153XJ](#) [1812CS-183XJ](#) [1812CS-](#)
[223XJ](#) [1812LS-104XJ](#) [1812LS-105XJ](#) [1812LS-124XJ](#) [1812LS-154XJ](#) [1812LS-223XJ](#) [1812LS-224XJ](#) [1812LS-563XJ](#) [1812LS-683XJ](#)
[1812LS-824XJ](#) [NIN-FB101JTR110F](#) [NIN-FB471JTR62F](#) [NIN-FC1R5JTR220F](#) [NIN-HCR15JTRF](#) [NIN-HCR33JTRF](#) [NIN-HDR22JTRF](#)