

## ■ Features

- High current type.
- Ferrite bobbin core and compact size.
- Low core loss for high frequency power application.
- Large terminal surface for good PCB bonding.
- Operating temperature:  $-40^{\circ}\text{C} \sim +125^{\circ}\text{C}$ .

## ■ Applications

- Portable communication equipment.
- Notebook PC, digital camera, LCD television set.
- Power supply for VTR, OA equipment.
- DC/DC converters.

## ■ Product Identification

$\frac{\text{XRRH}}{(1)} \quad \frac{\square\square\square\square}{(2)} - \frac{\square\square\square}{(3)} \quad \frac{\text{M}}{(4)}$

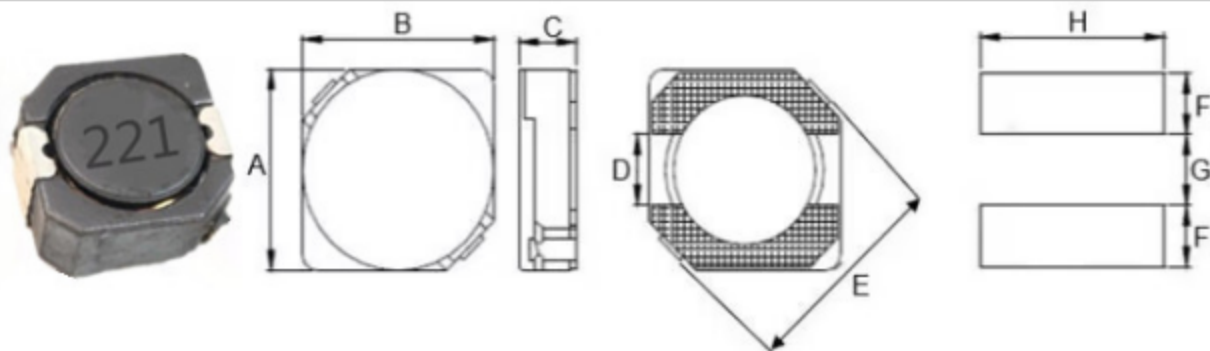
(1) : Type

(2) : Dimensions

(3) : Inductance value

(4) : Inductance Tolerance;  $M = \pm 20\%$

## ■ Shapes and Dimensions (Unit: mm)



TYPE	A	B	C max.	D	E	F Ref.	G Ref.	H Ref.
XRRH3D28	$3.8 \pm 0.3$	$3.8 \pm 0.3$	3.1	1.15	5.2	1.6	1.2	4.4

## ■ XRRH3D28 Series

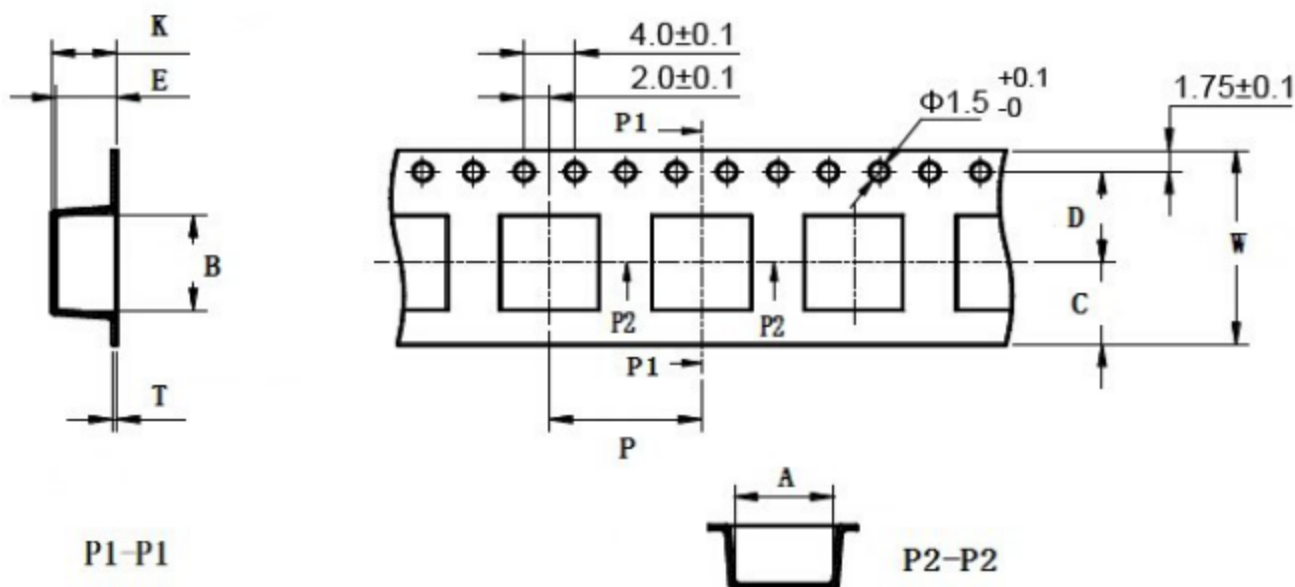
Part Number	Inductance (uH)	Test Freq.(KHz)	DCR MAX.(Ω)	Rated Current (A)
XRRH3D28-3R3M	3.3	100	0.036	0.90
XRRH3D28-4R7M	4.7	100	0.046	0.80
XRRH3D28-6R8M	6.8	100	0.055	0.60
XRRH3D28-100M	10.0	100	0.092	0.50
XRRH3D28-120M	12.0	100	0.100	0.45
XRRH3D28-150M	15.0	100	0.113	0.40
XRRH3D28-180M	18.0	100	0.125	0.35
XRRH3D28-220M	22.0	100	0.146	0.33
XRRH3D28-270M	27.0	100	0.176	0.29
XRRH3D28-330M	33.0	100	0.214	0.28
XRRH3D28-390M	39.0	100	0.225	0.25
XRRH3D28-470M	47.0	100	0.304	0.23
XRRH3D28-560M	56.0	100	0.324	0.20
XRRH3D28-680M	68.0	100	0.472	0.18
XRRH3D28-820M	82.0	100	0.539	0.17
XRRH3D28-101M	100	100	0.608	0.16
XRRH3D28-121M	120	100	0.757	0.13
XRRH3D28-151M	150	100	0.882	0.12
XRRH3D28-181M	180	100	1.130	0.11
XRRH3D28-221M	220	100	1.269	0.10

※ The saturation current value is the DC current value having inductance decrease down to 30%. (at 20°C)

※ The temperature rise current value is the DC current value having temperature increase up to 40°C. (at 20°C)

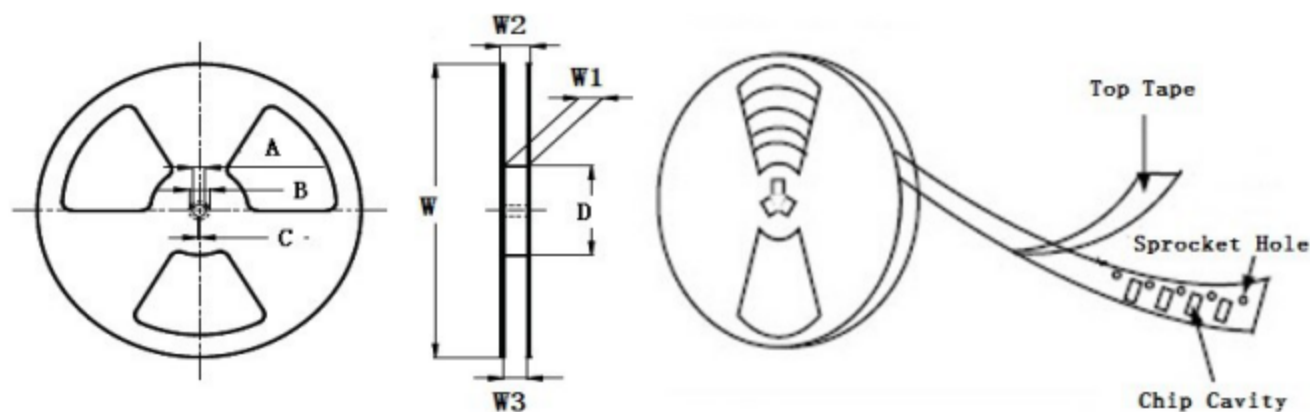
※ The rated current is the DC current value that satisfies both of current value saturation current value and temperature rise current value.

## ■ Taping Dimensions(Unit:mm)



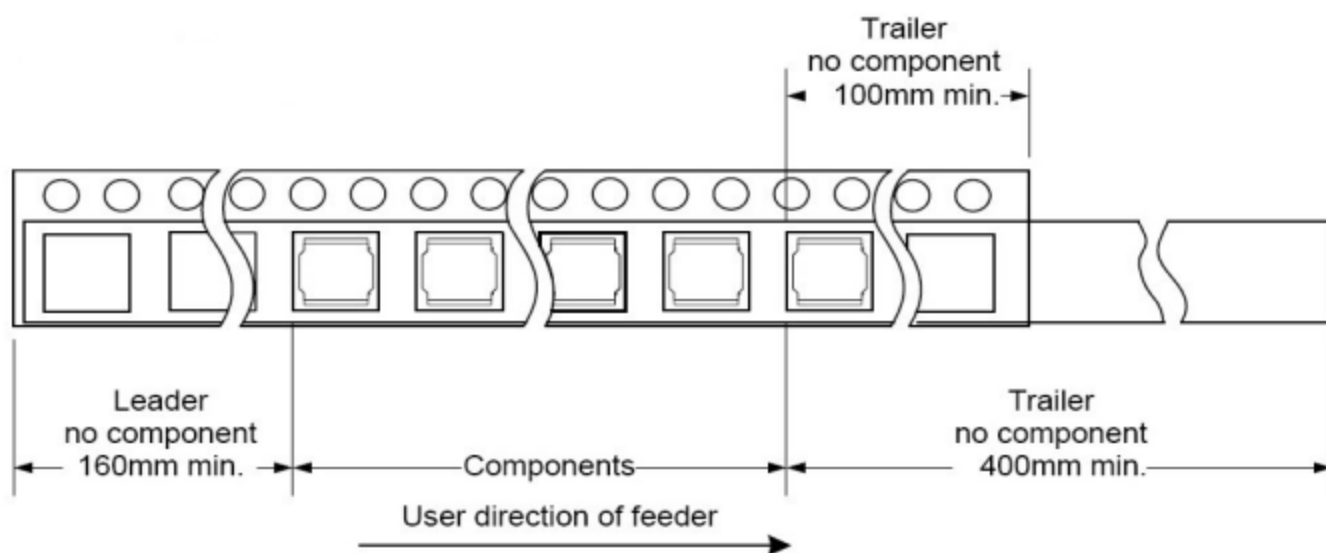
TYPE	W	A	B	C	D	E	P	K Ref	T	MPQ
XRRH3D28	12±0.3	4.35±0.1	4.35±0.1	4.75	5.5±0.1	3.25±0.1	8.0±0.1	3.45	0.40±0.05	3500

## ■ Reel Dimensions(Unit:mm)

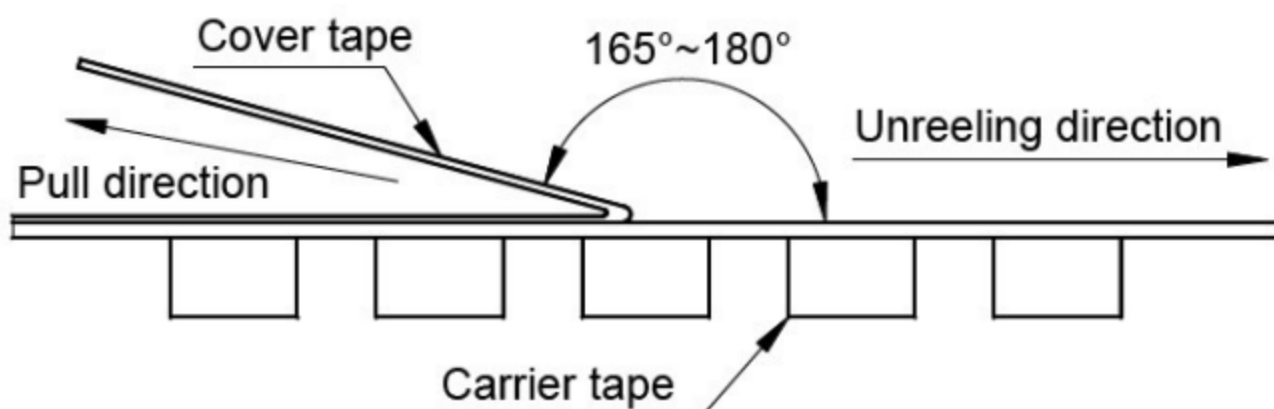


TYPE	W	W1	W2	W3	A	B	C	D
XRRH3D28	330±2.0	12.4±2.0	13.5MAX	11.9 Min	13.0±0.50	21.0±0.80	2.0±0.50	100 Min

## Direction of rolling



## Cover tape peel off condition



Cover tape peel force shall be 0.1N to 1.3N.

Reference peel speed  $300 \pm 10$  mm/min.

## X-ON Electronics

Largest Supplier of Electrical and Electronic Components

*Click to view similar products for [Fixed Inductors](#) category:*

*Click to view products by [MaxLinear](#) manufacturer:*

Other Similar products are found below :

[CR32NP-100KC](#) [CR54NP-470LC](#) [70F224AI](#) [MGDQ4-00004-P](#) [MHQ1005P10NJ](#) [MHQ1005P1N0S](#) [MHQ1005P2N4S](#) [MHQ1005P3N6S](#)  
[MHQ1005P5N1S](#) [MHQ1005P8N2J](#) [PE-53601NL](#) [PE-53602NL](#) [PG0936.113NLT](#) [9220-20](#) [9310-16](#) [PM06-2N7](#) [PM06-39NJ](#) [A01TK](#)  
[1206CS-471XJ](#) [HC2-R47-R](#) [HC8-1R2-R](#) [HCF1305-3R3-R](#) [1206CS-151XG](#) [RCH664NP-140L](#) [RCH664NP-4R7M](#) [RCP1317NP-391L](#)  
[RCR110DNP-331L](#) [DH2280-4R7M](#) [DS1608C-106](#) [B10TJ](#) [B82498B3101J000](#) [ELJ-RE27NJF2](#) [1812CS-153XJ](#) [1812CS-183XJ](#) [1812CS-](#)  
[223XJ](#) [1812LS-104XJ](#) [1812LS-105XJ](#) [1812LS-124XJ](#) [1812LS-154XJ](#) [1812LS-223XJ](#) [1812LS-224XJ](#) [1812LS-563XJ](#) [1812LS-683XJ](#)  
[1812LS-824XJ](#) [NIN-FB101JTR110F](#) [NIN-FB471JTR62F](#) [NIN-FC1R5JTR220F](#) [NIN-HCR15JTRF](#) [NIN-HCR33JTRF](#) [NIN-HDR22JTRF](#)