

■ Features

- Ultra low profile.
- Magnetic shielded for low radiation.
- Bobbin ferrite core and compact size.
- Low core loss for high frequency power application.
- Large terminal surface for good PCB bonding.
- Operating temperature:-40℃ ~ +125℃.

■ Applications

- Portable communication equipment.
- Notebook PC,digital camera,LCD television set.
- Power supply for VTR,OA equipment.
- DC/DC converters.

■ Product Identification

$\frac{\text{XRRH}}{(1)} \quad \frac{\square\square\square\square}{(2)} - \frac{\square\square\square}{(3)} \quad \frac{\text{M}}{(4)}$

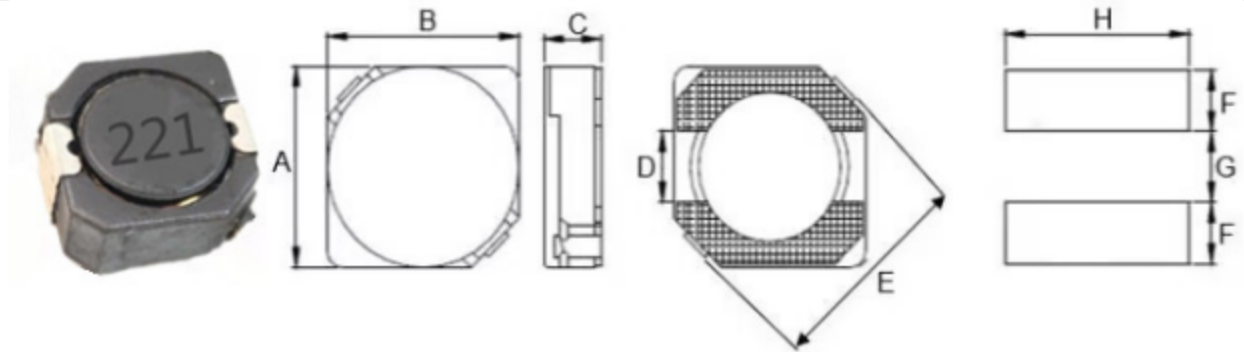
(1) : Type

(2) : Dimensions

(3) : Inductance value

(4) : Inductance Tolerance; M=±20%

■ Shapes and Dimensions (Unit: mm)



| TYPE | A | B | C max. | D | E | F Ref. | G Ref. | H Ref. |
|----------|---------|---------|--------|------|-----|--------|--------|--------|
| XRRH4D18 | 4.7±0.3 | 4.7±0.3 | 2.0 | 1.50 | 6.9 | 1.9 | 1.5 | 5.3 |

■ XRRH4D18 Series

| Part Number | Inductance (uH) | Test Freq.(KHz) | DCR MAX.(Ω) | Rated Current (A) |
|---------------|-----------------|-----------------|-------------|-------------------|
| XRRH4D18-1R0M | 1.0 | 100 | 0.045 | 1.72 |
| XRRH4D18-1R2M | 1.2 | 100 | 0.050 | 1.60 |
| XRRH4D18-1R8M | 1.8 | 100 | 0.060 | 1.40 |
| XRRH4D18-2R2M | 2.2 | 100 | 0.075 | 1.32 |
| XRRH4D18-2R7M | 2.7 | 100 | 0.110 | 1.28 |
| XRRH4D18-3R3M | 3.3 | 100 | 0.110 | 1.04 |
| XRRH4D18-3R9M | 3.9 | 100 | 0.155 | 0.88 |
| XRRH4D18-4R7M | 4.7 | 100 | 0.162 | 0.84 |
| XRRH4D18-5R6M | 5.6 | 100 | 0.170 | 0.80 |
| XRRH4D18-6R8M | 6.8 | 100 | 0.200 | 0.76 |
| XRRH4D18-8R2M | 8.2 | 100 | 0.215 | 0.68 |
| XRRH4D18-100M | 10.0 | 100 | 0.220 | 0.61 |
| XRRH4D18-120M | 12.0 | 100 | 0.230 | 0.56 |

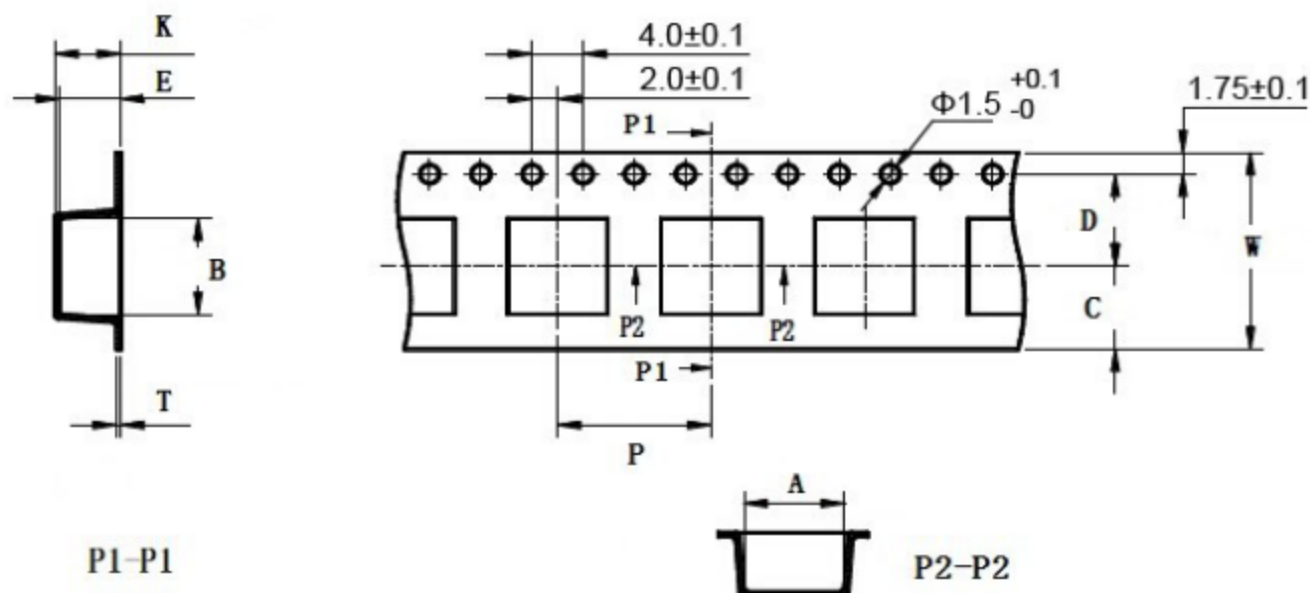
| Part Number | Inductance (uH) | Test Freq.(KHz) | DCR MAX.(Ω) | Rated Current (A) |
|---------------|-----------------|-----------------|-------------|-------------------|
| XRRH4D18-150M | 15.0 | 100 | 0.24 | 0.50 |
| XRRH4D18-180M | 18.0 | 100 | 0.33 | 0.48 |
| XRRH4D18-220M | 22.0 | 100 | 0.39 | 0.41 |
| XRRH4D18-270M | 27.0 | 100 | 0.44 | 0.35 |
| XRRH4D18-330M | 33.0 | 100 | 0.69 | 0.32 |
| XRRH4D18-390M | 39.0 | 100 | 0.70 | 0.30 |
| XRRH4D18-470M | 47.0 | 100 | 0.92 | 0.28 |
| XRRH4D18-560M | 56.0 | 100 | 1.08 | 0.26 |
| XRRH4D18-680M | 68.0 | 100 | 1.30 | 0.24 |
| XRRH4D18-820M | 82.0 | 100 | 1.56 | 0.22 |
| XRRH4D18-101M | 100 | 100 | 1.73 | 0.20 |
| XRRH4D18-121M | 120 | 100 | 2.39 | 0.18 |
| XRRH4D18-151M | 150 | 100 | 2.67 | 0.15 |
| XRRH4D18-181M | 180 | 100 | 4.00 | 0.14 |

※ The saturation current value is the DC current value having inductance decrease down to 30%.(at 20°C)

※ The temperature rise current value is the DC current value having temperature increase up to 40°C. (at 20°C)

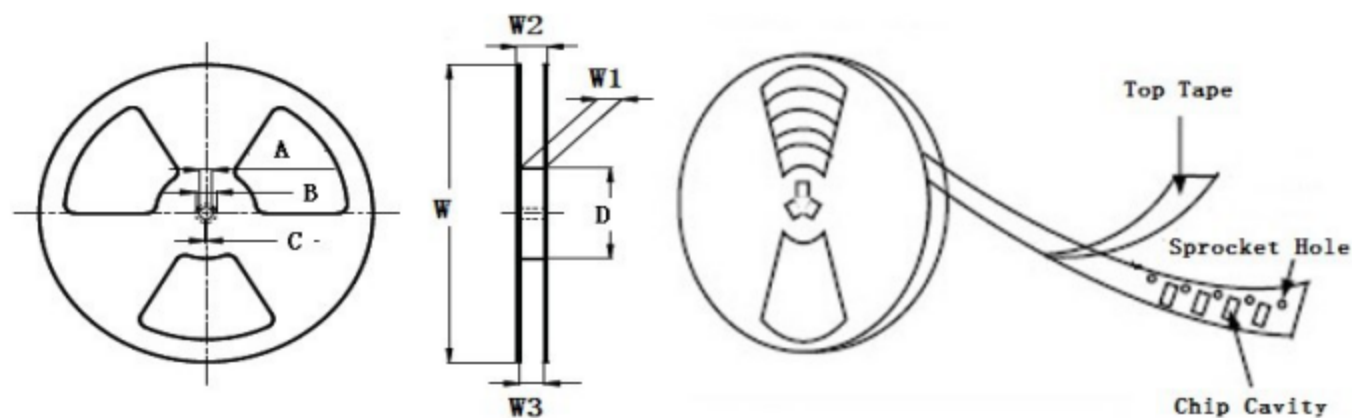
※ The rated current is the DC current value that satisfies both of current value saturation current value and temperature rise current value.

■ Taping Dimensions(Unit:mm)



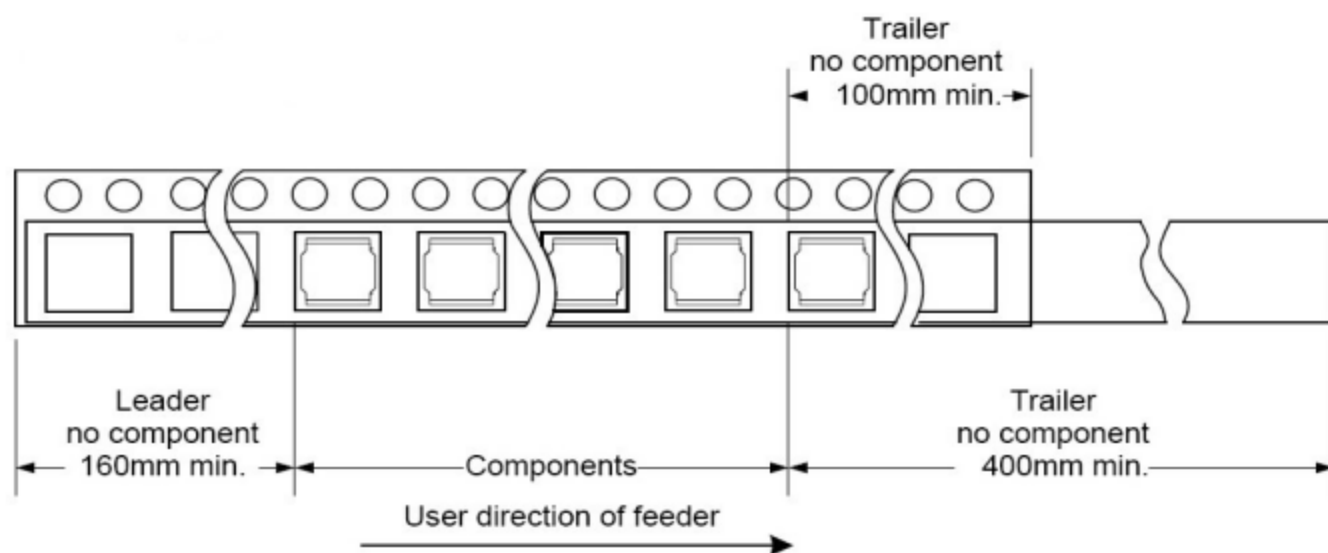
| TYPE | W | A | B | C | D | E | P | K Ref | T | MPQ |
|----------|--------|----------|----------|------|---------|----------|---------|-------|-----------|------|
| XRRH4D18 | 12±0.3 | 5.40±0.1 | 5.40±0.1 | 4.75 | 5.5±0.1 | 2.25±0.1 | 8.0±0.1 | 2.45 | 0.30±0.05 | 2000 |

■ Reel Dimensions(Unit:mm)

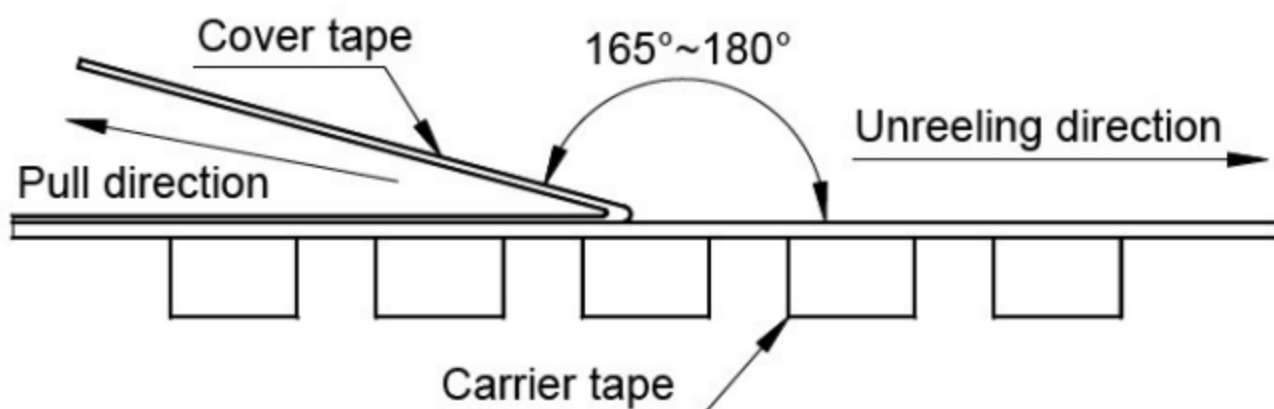


| TYPE | W | W1 | W2 | W3 | A | B | C | D |
|----------|---------|----------|----------|----------|-----------|-----------|----------|---------|
| XRRH4D18 | 330±2.0 | 12.4±2.0 | 18.4 Max | 11.9 Min | 13.0±0.50 | 21.0±0.80 | 2.0±0.50 | 100 Min |

Direction of rolling



Cover tape peel off condition



Cover tape peel force shall be 0.1N to 1.3N.

Reference peel speed 300 ± 10 mm/min.

X-ON Electronics

Largest Supplier of Electrical and Electronic Components

Click to view similar products for [Fixed Inductors](#) category:

Click to view products by [MaxLinear](#) manufacturer:

Other Similar products are found below :

[CR54NP-470LC](#) [70F224AI](#) [MGDQ4-00004-P](#) [MHL1ECTTP18NJ](#) [MHQ1005P10NJ](#) [MHQ1005P1N0S](#) [MHQ1005P2N4S](#) [MHQ1005P3N6S](#)
[MHQ1005P5N1S](#) [MHQ1005P8N2J](#) [PE-53601NL](#) [PE-53602NL](#) [PE-53630NL](#) [PE-53824SNLT](#) [PG0936.113NLT](#) [9220-20](#) [9310-16](#) [PM06-](#)
[2N7](#) [PM06-39NJ](#) [A01TK](#) [1206CS-471XJ](#) [HC2-R47-R](#) [HC3-R50-R](#) [HC8-1R2-R](#) [HCF1305-3R3-R](#) [1206CS-151XG](#) [RCH664NP-140L](#)
[RCH664NP-4R7M](#) [RCH8011NP-221L](#) [RCP1317NP-332L](#) [RCP1317NP-391L](#) [RCR1010NP-470M](#) [RCR110DNP-331L](#) [DH2280-4R7M](#)
[DS1608C-106](#) [ASPI-4020HI-R10M-T](#) [B10TJ](#) [B82498B3101J000](#) [ELJ-RE27NJF2](#) [1812CS-153XJ](#) [1812CS-183XJ](#) [1812CS-223XJ](#) [1812LS-](#)
[104XJ](#) [1812LS-105XJ](#) [1812LS-124XJ](#) [1812LS-154XJ](#) [1812LS-223XJ](#) [1812LS-224XJ](#) [1812LS-563XJ](#) [1812LS-683XJ](#)