

## ■ Features

- Ultra low profile.
- Magnetic shielded for low radiation.
- Bobbin ferrite core and compact size.
- Low core loss for high frequency power application.
- Large terminal surface for good PCB bonding.
- Operating temperature:-40℃ ~ +125℃.

## ■ Applications

- Portable communication equipment.
- Notebook PC,digital camera,LCD television set.
- Power supply for VTR,OA equipment.
- DC/DC converters.

## ■ Product Identification

$\frac{\text{XRRH}}{(1)} \quad \frac{\square\square\square\square}{(2)} - \frac{\square\square\square}{(3)} \quad \frac{\text{M}}{(4)}$

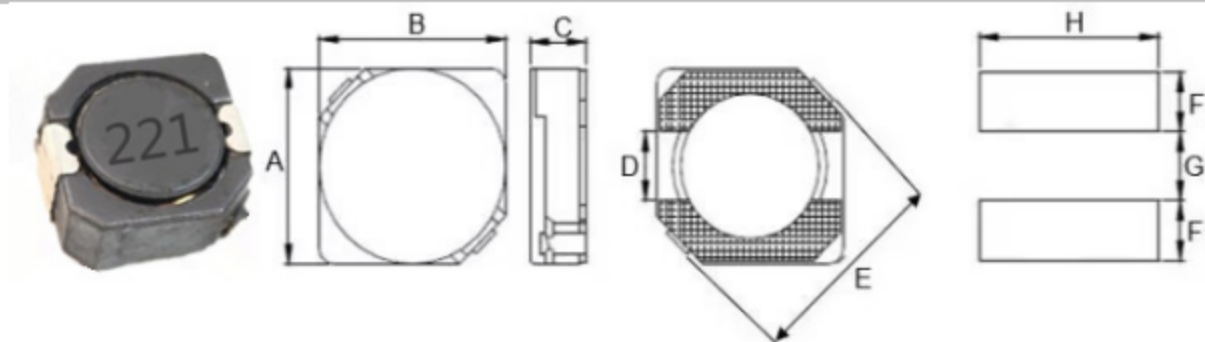
(1) : Type

(2) : Dimensions

(3) : Inductance value

(4) : Inductance Tolerance; M=±20%

#### ■ Shapes and Dimensions (Unit: mm)



| TYPE     | A       | B       | C max. | D    | E   | F Ref. | G Ref. | H Ref. |
|----------|---------|---------|--------|------|-----|--------|--------|--------|
| XRRH5D18 | 5.7±0.3 | 5.7±0.3 | 2.0    | 2.00 | 8.2 | 2.15   | 2.0    | 6.3    |

#### ■ XRRH5D18 Series

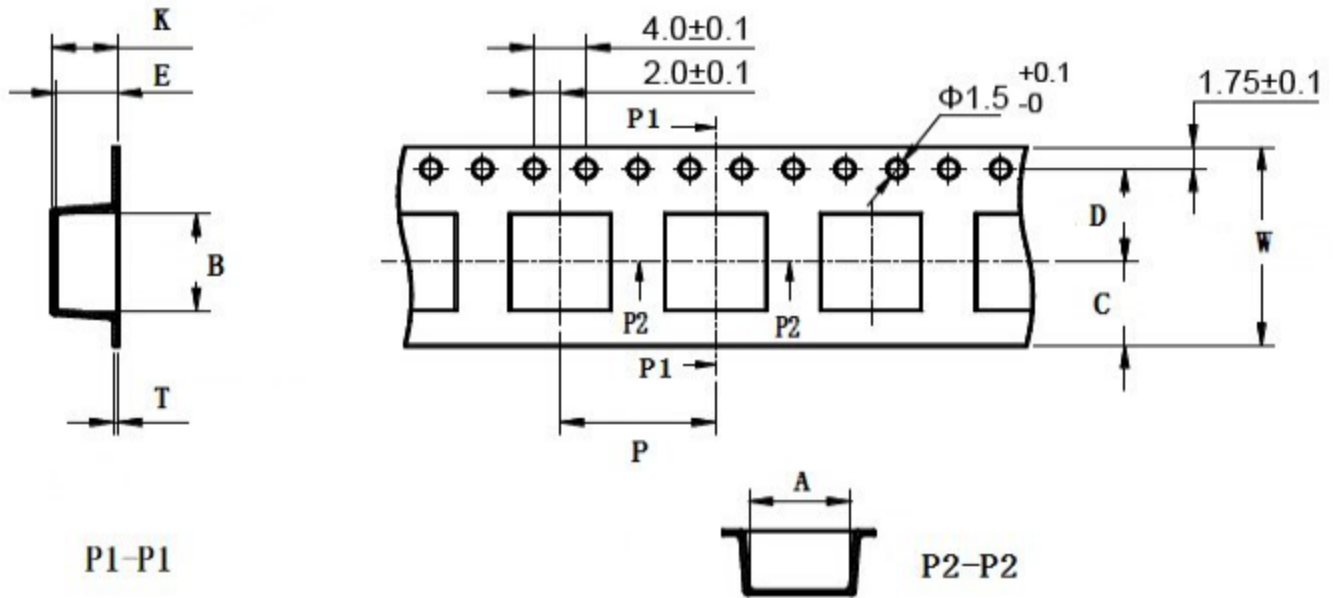
| Part Number   | Inductance (uH) | Test Freq.(KHz) | DCR MAX.(Ω) | Rated Current (A) |
|---------------|-----------------|-----------------|-------------|-------------------|
| XRRH5D18-1R0M | 1.0             | 100             | 0.031       | 5.6               |
| XRRH5D18-1R5M | 1.5             | 100             | 0.038       | 4.6               |
| XRRH5D18-2R2M | 2.2             | 100             | 0.046       | 4.1               |
| XRRH5D18-2R7M | 2.7             | 100             | 0.065       | 3.3               |
| XRRH5D18-3R3M | 3.3             | 100             | 0.078       | 2.9               |
| XRRH5D18-4R7M | 4.7             | 100             | 0.098       | 2.5               |
| XRRH5D18-5R6M | 5.6             | 100             | 0.109       | 2.4               |
| XRRH5D18-6R8M | 6.8             | 100             | 0.960       | 1.40              |
| XRRH5D18-8R2M | 8.2             | 100             | 0.116       | 1.25              |
| XRRH5D18-100M | 10.0            | 100             | 0.124       | 1.20              |
| XRRH5D18-120M | 12.0            | 100             | 0.153       | 1.10              |
| XRRH5D18-150M | 15.0            | 100             | 0.196       | 0.97              |
| XRRH5D18-180M | 18.0            | 100             | 0.210       | 0.85              |

## XRRH5D18 Series-Power Inductors

| Part Number   | Inductance (uH) | Test Freq.(KHz) | DCR MAX.(Ω) | Rated Current (A) |
|---------------|-----------------|-----------------|-------------|-------------------|
| XRRH5D18-220M | 22.0            | 100             | 0.290       | 0.80              |
| XRRH5D18-270M | 27.0            | 100             | 0.330       | 0.75              |
| XRRH5D18-330M | 33.0            | 100             | 0.385       | 0.65              |
| XRRH5D18-390M | 39.0            | 100             | 0.520       | 0.57              |
| XRRH5D18-470M | 47.0            | 100             | 0.595       | 0.54              |
| XRRH5D18-560M | 56.0            | 100             | 0.665       | 0.50              |
| XRRH5D18-680M | 68.0            | 100             | 0.840       | 0.43              |
| XRRH5D18-820M | 82.0            | 100             | 0.978       | 0.41              |
| XRRH5D18-101M | 100             | 100             | 1.200       | 0.36              |

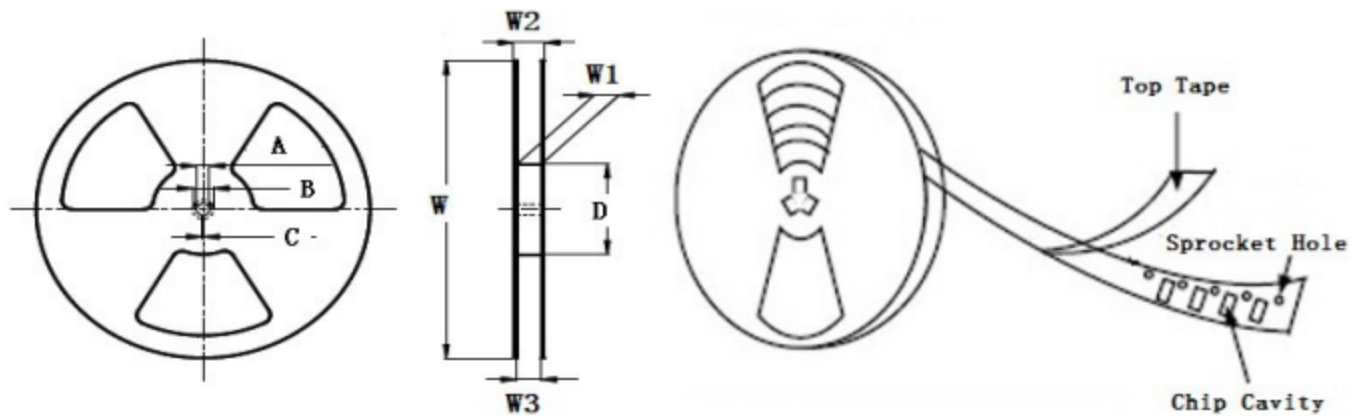
- ※ The saturation current value is the DC current value having inductance decrease down to 30%.(at 20°C)
- ※ The temperature rise current value is the DC current value having temperature increase up to 40°C. (at 20°C)
- ※ The rated current is the DC current value that satisfies both of current value saturation current value and temperature rise current value.

#### ■ Taping Dimensions(Unit:mm)



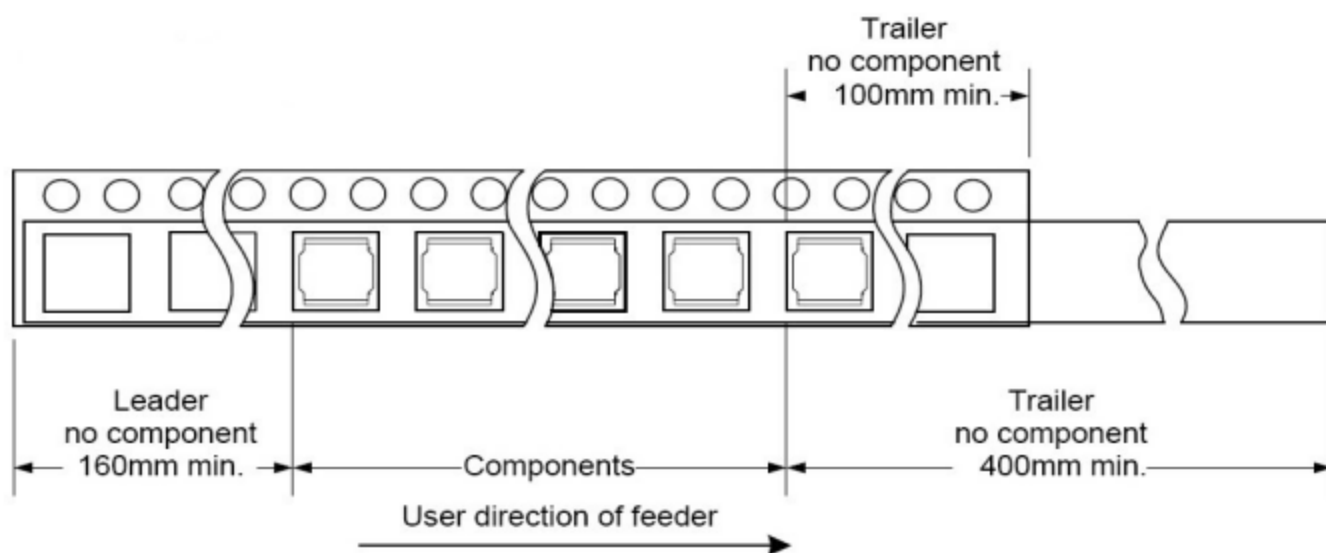
| TYPE     | W      | A        | B        | C    | D       | E        | P      | K Ref | T         | MPQ  |
|----------|--------|----------|----------|------|---------|----------|--------|-------|-----------|------|
| XRRH5D18 | 16±0.3 | 6.20±0.1 | 6.20±0.1 | 6.75 | 7.5±0.1 | 2.80±0.1 | 12±0.1 | 3.00  | 0.30±0.05 | 2000 |

#### ■ Reel Dimensions(Unit:mm)

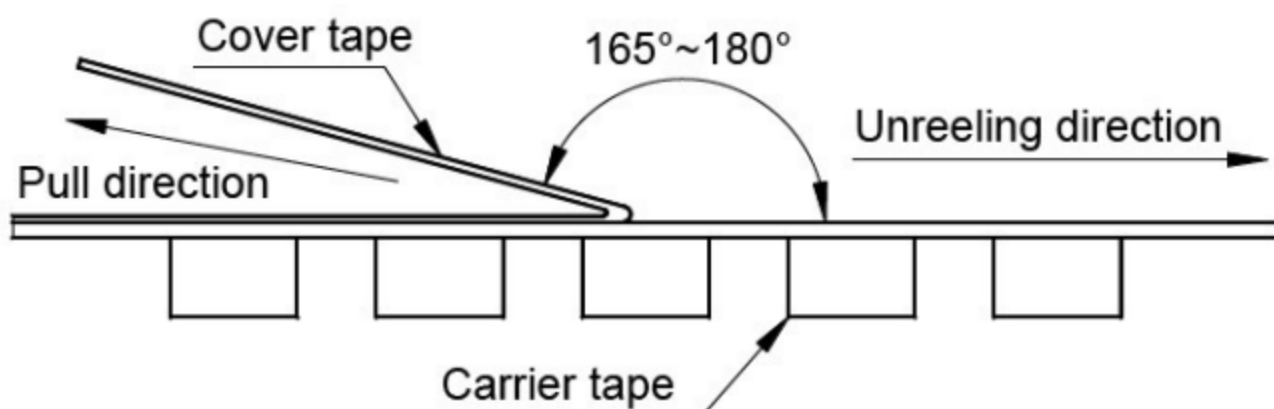


| TYPE     | W       | W1       | W2       | W3       | A         | B         | C        | D       |
|----------|---------|----------|----------|----------|-----------|-----------|----------|---------|
| XRRH5D18 | 330±2.0 | 16.4±2.0 | 22.4 Max | 15.9 Min | 13.0±0.50 | 21.0±0.80 | 2.0±0.50 | 100 Min |

## Direction of rolling



## Cover tape peel off condition



Cover tape peel force shall be 0.1N to 1.3N.

Reference peel speed  $300 \pm 10$  mm/min.

## X-ON Electronics

Largest Supplier of Electrical and Electronic Components

*Click to view similar products for [Fixed Inductors](#) category:*

*Click to view products by [MaxLinear](#) manufacturer:*

Other Similar products are found below :

[CR43NP-680KC](#) [CR54NP-470LC](#) [CR54NP-820KC](#) [CR54NP-8R5MC](#) [70F224AI](#) [MGDQ4-00004-P](#) [MHL1ECTTP18NJ](#) [MHQ1005P10NJ](#)  
[MHQ1005P1N0S](#) [MHQ1005P2N4S](#) [MHQ1005P3N6S](#) [MHQ1005P5N1S](#) [MHQ1005P8N2J](#) [PE-51506NL](#) [PE-53601NL](#) [PE-53602NL](#) [PE-53630NL](#) [PE-53824SNLT](#) [PE-92100NL](#) [PG0434.801NLT](#) [PG0936.113NLT](#) [9220-20](#) [9310-16](#) [PM06-2N7](#) [PM06-39NJ](#) [A01TK](#) [1206CS-471XJ](#) [HC2LP-R47-R](#) [HC2-R47-R](#) [HC3-2R2-R](#) [HC3-R50-R](#) [HC8-1R2-R](#) [HCF1305-3R3-R](#) [1206CS-151XG](#) [RCH664NP-140L](#) [RCH664NP-4R7M](#) [RCH8011NP-221L](#) [RCP1317NP-332L](#) [RCP1317NP-391L](#) [RCR1010NP-470M](#) [RCR110DNP-331L](#) [DH2280-4R7M](#) [DS1608C-106](#)  
[ASPI-4020HI-R10M-T](#) [B10TJ](#) [B82498B3101J000](#) [ELJ-RE27NJF2](#) [1812CS-153XJ](#) [1812CS-183XJ](#) [1812CS-223XJ](#)