

■ Features

- Ultra low profile.
- Magnetic shielded for low radiation.
- Bobbin ferrite core and compact size.
- Low core loss for high frequency power application.
- Large terminal surface for good PCB bonding.
- Operating temperature: $-40^{\circ}\text{C} \sim +125^{\circ}\text{C}$.

■ Applications

- Portable communication equipment.
- Notebook PC, digital camera, LCD television set.
- Power supply for VTR, OA equipment.
- DC/DC converters.

■ Product Identification

$\frac{\text{XRRH}}{(1)} \quad \frac{\square\square\square\square}{(2)} - \frac{\square\square\square}{(3)} \quad \frac{\text{M}}{(4)}$

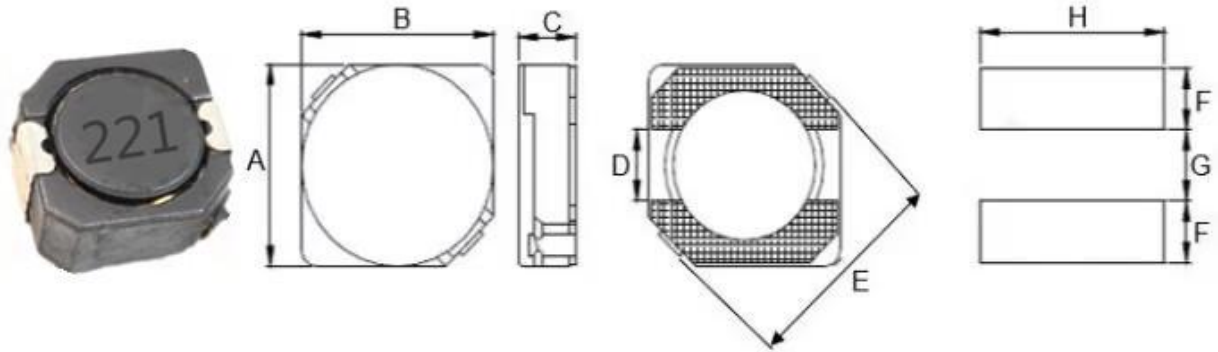
(1) : Type

(2) : Dimensions

(3) : Inductance value

(4) : Inductance Tolerance; M= $\pm 20\%$

■ Shapes and Dimensions (Unit: mm)



| TYPE | A | B | C max. | D | E | F Ref. | G Ref. | H Ref. |
|----------|---------|---------|--------|------|-----|--------|--------|--------|
| XRRH5D28 | 5.7±0.3 | 5.7±0.3 | 3.0 | 2.00 | 8.2 | 2.15 | 2.0 | 6.3 |

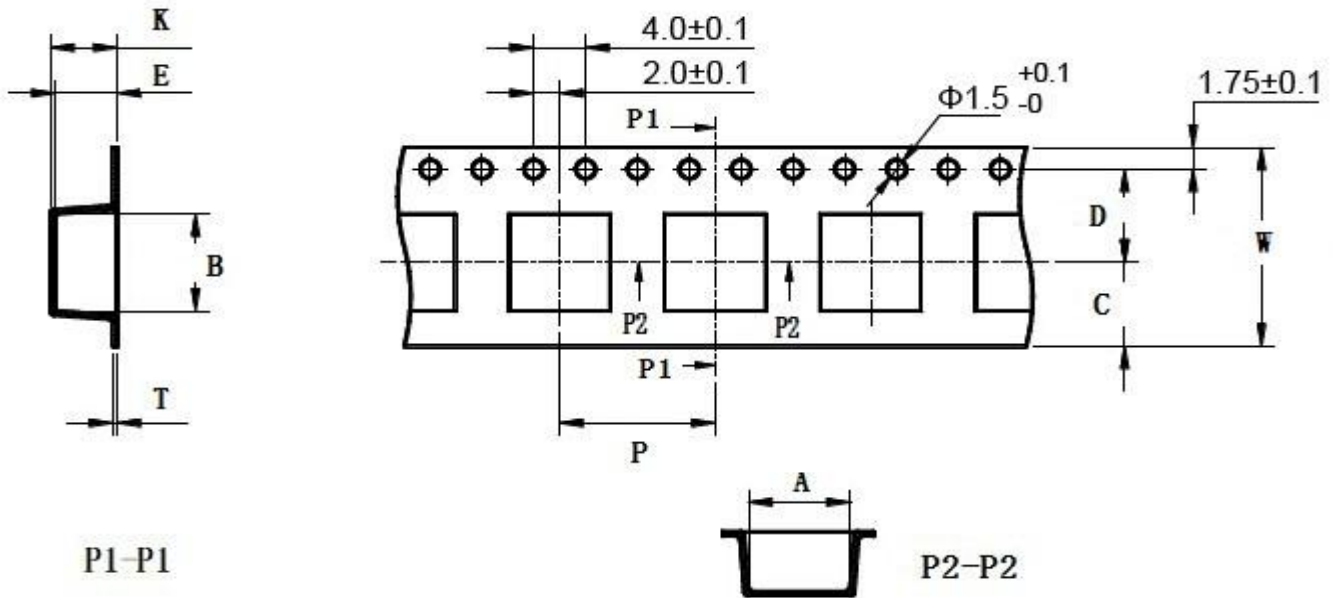
■ XRRH5D28 Series

| Part Number | Inductance (uH) | Test Freq.(KHz) | DCR MAX.(Ω) | Rated Current (A) |
|---------------|-----------------|-----------------|-------------|-------------------|
| XRRH5D28-1R0M | 1.0 | 100 | 0.015 | 2.80 |
| XRRH5D28-1R2M | 1.2 | 100 | 0.018 | 2.70 |
| XRRH5D28-2R2M | 2.2 | 100 | 0.023 | 2.60 |
| XRRH5D28-3R3M | 3.3 | 100 | 0.029 | 2.40 |
| XRRH5D28-4R7M | 4.7 | 100 | 0.036 | 2.10 |
| XRRH5D28-5R6M | 5.6 | 100 | 0.038 | 1.90 |
| XRRH5D28-6R8M | 6.8 | 100 | 0.048 | 1.80 |
| XRRH5D28-8R2M | 8.2 | 100 | 0.053 | 1.60 |
| XRRH5D28-100M | 10.0 | 100 | 0.065 | 1.30 |
| XRRH5D28-120M | 12.0 | 100 | 0.076 | 1.20 |
| XRRH5D28-150M | 15.0 | 100 | 0.103 | 1.10 |
| XRRH5D28-180M | 18.0 | 100 | 0.110 | 1.00 |
| XRRH5D28-220M | 22.0 | 100 | 0.122 | 0.90 |
| XRRH5D28-270M | 27.0 | 100 | 0.175 | 0.85 |
| XRRH5D28-330M | 33.0 | 100 | 0.189 | 0.75 |

| Part Number | Inductance (uH) | Test Freq.(KHz) | DCR MAX.(Ω) | Rated Current (A) |
|---------------|-----------------|-----------------|-------------|-------------------|
| XRRH5D28-390M | 39.0 | 100 | 0.212 | 0.70 |
| XRRH5D28-470M | 47.0 | 100 | 0.260 | 0.62 |
| XRRH5D28-560M | 56.0 | 100 | 0.305 | 0.58 |
| XRRH5D28-680M | 68.0 | 100 | 0.355 | 0.52 |
| XRRH5D28-820M | 82.0 | 100 | 0.463 | 0.46 |
| XRRH5D28-101M | 100 | 100 | 0.520 | 0.42 |
| XRRH5D28-121M | 120 | 100 | 0.560 | 0.40 |
| XRRH5D28-151M | 150 | 100 | 0.680 | 0.35 |
| XRRH5D28-181M | 180 | 100 | 0.930 | 0.32 |
| XRRH5D28-221M | 220 | 100 | 1.150 | 0.30 |
| XRRH5D28-271M | 270 | 100 | 1.560 | 0.27 |
| XRRH5D28-331M | 330 | 100 | 1.980 | 0.25 |

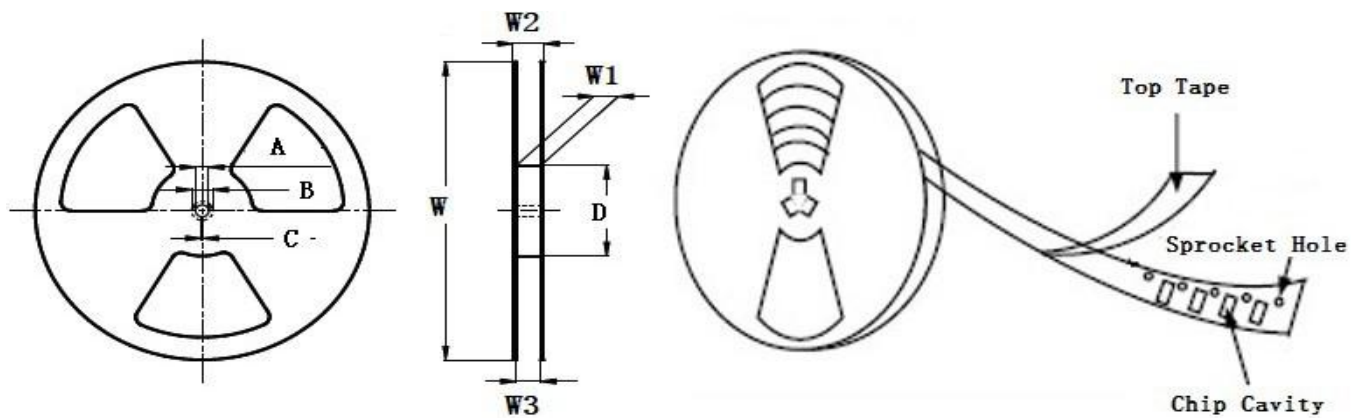
- ※ The saturation current value is the DC current value having inductance decrease down to 30%.(at 20℃)
- ※ The temperature rise current value is the DC current value having temperature increase up to 40℃. (at 20℃)
- ※ The rated current is the DC current value that satisfies both of current value saturation current value and temperature rise current value.

■ Taping Dimensions(Unit:mm)



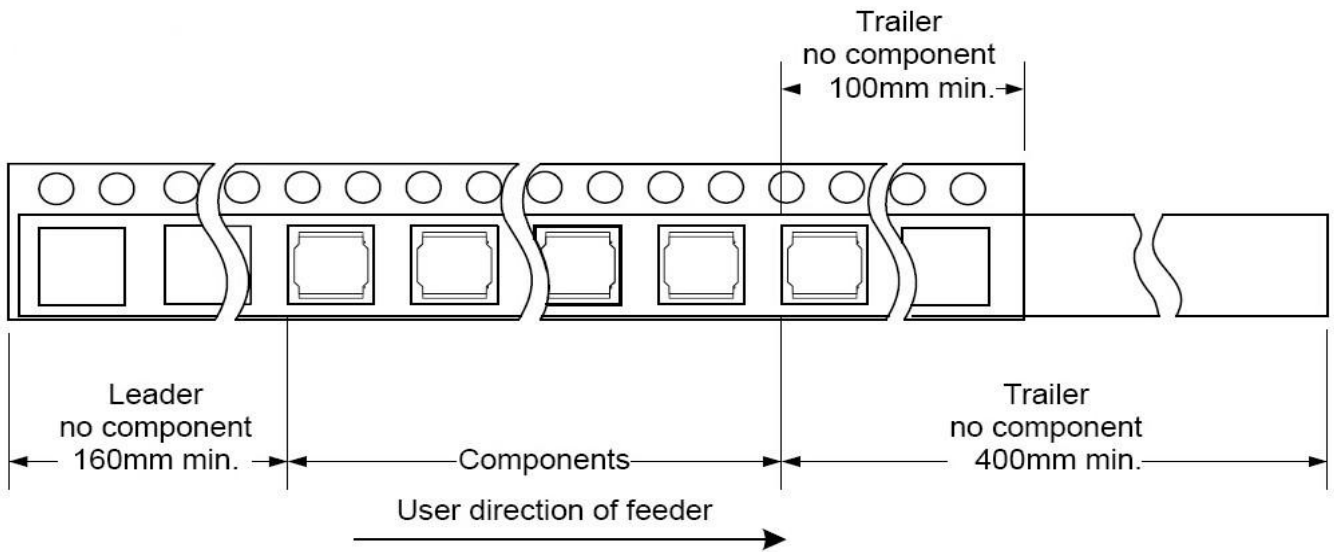
| TYPE | W | A | B | C | D | E | P | K Ref | T | MPQ |
|----------|--------|----------|----------|------|---------|----------|--------|-------|-----------|------|
| XRRH5D28 | 16±0.3 | 6.20±0.1 | 6.20±0.1 | 6.75 | 7.5±0.1 | 2.80±0.1 | 12±0.1 | 3.00 | 0.30±0.05 | 2000 |

■ Reel Dimensions(Unit:mm)

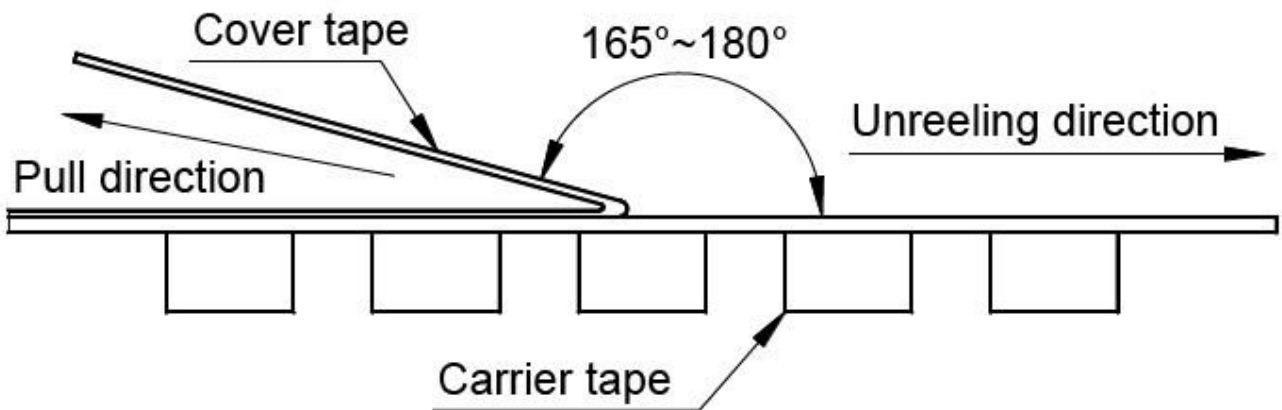


| TYPE | W | W1 | W2 | W3 | A | B | C | D |
|----------|---------|----------|----------|----------|-----------|-----------|----------|---------|
| XRRH5D28 | 330±2.0 | 16.4±2.0 | 22.4 Max | 15.9 Min | 13.0±0.50 | 21.0±0.80 | 2.0±0.50 | 100 Min |

Direction of rolling



Cover tape peel off condition



Cover tape peel force shall be 0.1N to 1.3N.

Reference peel speed 300 ± 10 mm/min.

X-ON Electronics

Largest Supplier of Electrical and Electronic Components

Click to view similar products for [Fixed Inductors](#) category:

Click to view products by [MaxLinear](#) manufacturer:

Other Similar products are found below :

[CR32NP-100KC](#) [CR54NP-470LC](#) [70F224AI](#) [MGDQ4-00004-P](#) [MHQ1005P10NJ](#) [MHQ1005P1N0S](#) [MHQ1005P2N4S](#) [MHQ1005P3N6S](#)
[MHQ1005P5N1S](#) [MHQ1005P8N2J](#) [PE-53601NL](#) [PE-53602NL](#) [PG0936.113NLT](#) [9220-20](#) [9310-16](#) [PM06-2N7](#) [PM06-39NJ](#) [A01TK](#)
[1206CS-471XJ](#) [HC2-R47-R](#) [HC8-1R2-R](#) [HCF1305-3R3-R](#) [1206CS-151XG](#) [RCH664NP-140L](#) [RCH664NP-4R7M](#) [RCP1317NP-391L](#)
[RCR110DNP-331L](#) [DH2280-4R7M](#) [DS1608C-106](#) [B10TJ](#) [B82498B3101J000](#) [ELJ-RE27NJF2](#) [1812CS-153XJ](#) [1812CS-183XJ](#) [1812CS-](#)
[223XJ](#) [1812LS-104XJ](#) [1812LS-105XJ](#) [1812LS-124XJ](#) [1812LS-154XJ](#) [1812LS-223XJ](#) [1812LS-224XJ](#) [1812LS-563XJ](#) [1812LS-683XJ](#)
[1812LS-824XJ](#) [NIN-FB101JTR110F](#) [NIN-FB471JTR62F](#) [NIN-FC1R5JTR220F](#) [NIN-HCR15JTRF](#) [NIN-HCR33JTRF](#) [NIN-HDR22JTRF](#)