

■ Features

- Ultra low profile.
- Magnetic shielded for low radiation.
- Bobbin ferrite core and compact size.
- Low core loss for high frequency power application.
- Large terminal surface for good PCB bonding.
- Operating temperature: $-40^{\circ}\text{C} \sim +125^{\circ}\text{C}$.

■ Applications

- Portable communication equipment.
- Notebook PC, digital camera, LCD television set.
- Power supply for VTR, OA equipment.
- DC/DC converters.

■ Product Identification

$\frac{\text{XRRH}}{(1)} \quad \frac{\square\square\square\square}{(2)} - \frac{\square\square\square}{(3)} \quad \frac{\text{M}}{(4)}$

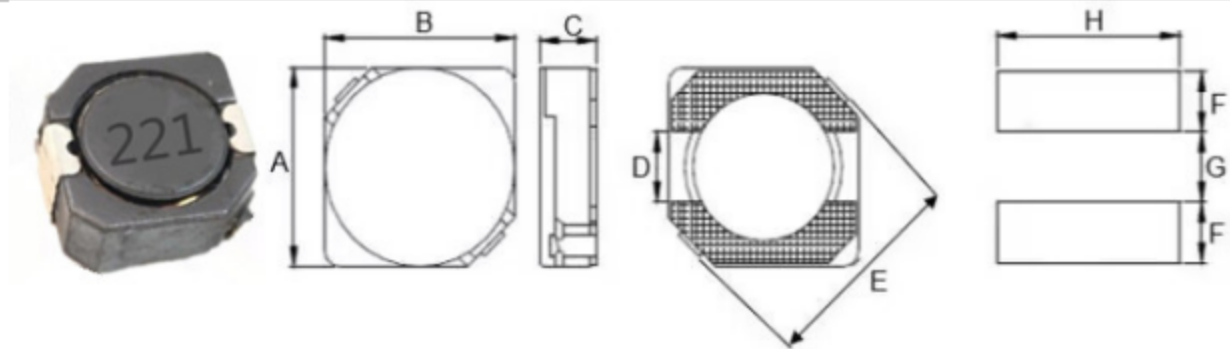
(1) : Type

(2) : Dimensions

(3) : Inductance value

(4) : Inductance Tolerance; M= $\pm 20\%$

■ Shapes and Dimensions (Unit: mm)



| TYPE | A | B | C max. | D | E | F Ref. | G Ref. | H Ref. |
|----------|---------|---------|--------|------|-----|--------|--------|--------|
| XRRH6D28 | 6.7±0.3 | 6.7±0.3 | 3.0 | 2.00 | 9.5 | 2.65 | 2.0 | 7.3 |

■ XRRH6D28 Series

| Part Number | Inductance (uH) | Test Freq.(KHz) | DCR MAX.(Ω) | Rated Current (A) |
|---------------|-----------------|-----------------|-------------|-------------------|
| XRRH6D28-1R0M | 1.0 | 100 | 0.0132 | 5.50 |
| XRRH6D28-2R0M | 2.0 | 100 | 0.0210 | 4.00 |
| XRRH6D28-2R2M | 2.2 | 100 | 0.024 | 3.60 |
| XRRH6D28-3R0M | 3.0 | 100 | 0.024 | 3.00 |
| XRRH6D28-3R3M | 3.3 | 100 | 0.025 | 2.80 |
| XRRH6D28-3R9M | 3.9 | 100 | 0.027 | 2.60 |
| XRRH6D28-4R7M | 4.7 | 100 | 0.030 | 2.50 |
| XRRH6D28-5R0M | 5.0 | 100 | 0.031 | 2.40 |
| XRRH6D28-5R6M | 5.6 | 100 | 0.035 | 2.30 |
| XRRH6D28-6R0M | 6.0 | 100 | 0.040 | 2.25 |
| XRRH6D28-6R8M | 6.8 | 100 | 0.042 | 2.20 |
| XRRH6D28-7R2M | 7.2 | 100 | 0.054 | 2.10 |
| XRRH6D28-8R2M | 8.2 | 100 | 0.058 | 1.85 |
| XRRH6D28-100M | 10.0 | 100 | 0.065 | 1.70 |

■ XRRH6D28 Series

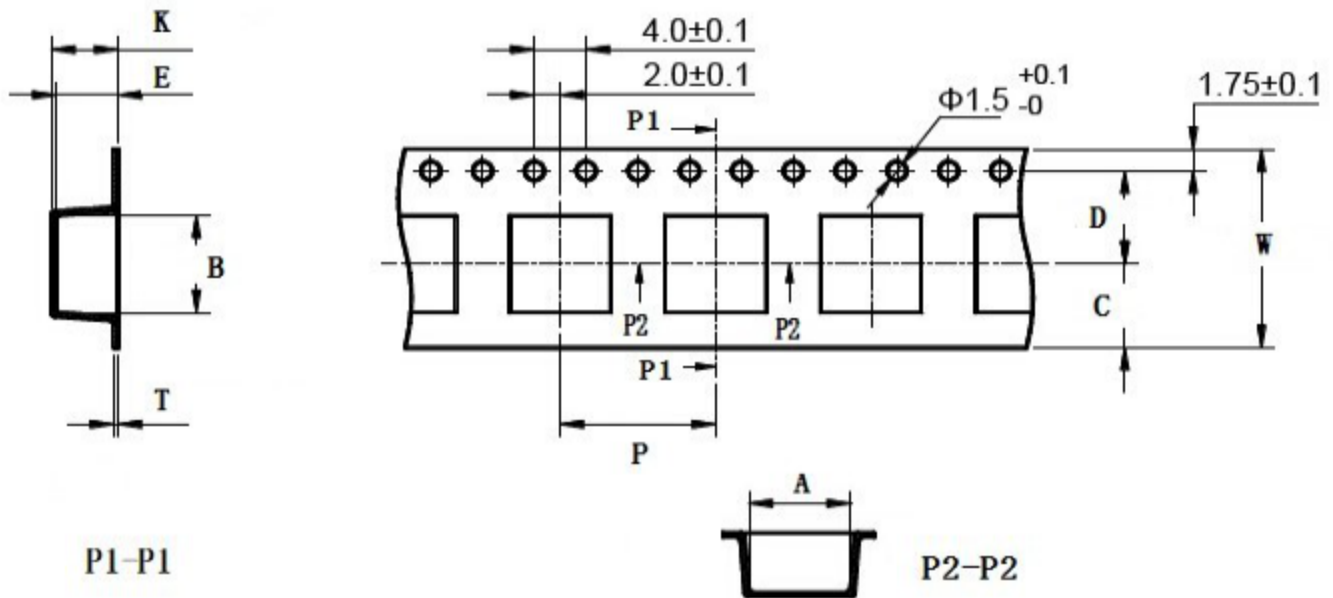
| Part Number | Inductance (uH) | Test Freq.(KHz) | DCR MAX.(Ω) | Rated Current (A) |
|---------------|-----------------|-----------------|-------------|-------------------|
| XRRH6D28-120M | 12.0 | 100 | 0.070 | 1.55 |
| XRRH6D28-150M | 15.0 | 100 | 0.084 | 1.40 |
| XRRH6D28-180M | 18.0 | 100 | 0.095 | 1.32 |
| XRRH6D28-220M | 22.0 | 100 | 0.128 | 1.20 |
| XRRH6D28-270M | 27.0 | 100 | 0.142 | 1.05 |
| XRRH6D28-330M | 33.0 | 100 | 0.165 | 0.97 |
| XRRH6D28-390M | 39.0 | 100 | 0.210 | 0.86 |
| XRRH6D28-470M | 47.0 | 100 | 0.238 | 0.80 |
| XRRH6D28-560M | 56.0 | 100 | 0.277 | 0.73 |
| XRRH6D28-680M | 68.0 | 100 | 0.304 | 0.65 |
| XRRH6D28-820M | 82.0 | 100 | 0.390 | 0.60 |
| XRRH6D28-101M | 100 | 100 | 0.535 | 0.54 |
| XRRH6D28-121M | 120 | 100 | 0.750 | 0.51 |
| XRRH6D28-151M | 150 | 100 | 0.950 | 0.47 |
| XRRH6D28-181M | 180 | 100 | 1.200 | 0.41 |
| XRRH6D28-221M | 220 | 100 | 1.500 | 0.37 |
| XRRH6D28-271M | 270 | 100 | 1.700 | 0.33 |
| XRRH6D28-331M | 330 | 100 | 2.150 | 0.28 |
| XRRH6D28-391M | 390 | 100 | 2.250 | 0.27 |
| XRRH6D28-471M | 470 | 100 | 3.150 | 0.21 |

※ The saturation current value is the DC current value having inductance decrease down to 30%.(at 20°C)

※ The temperature rise current value is the DC current value having temperature increase up to 40°C. (at 20°C)

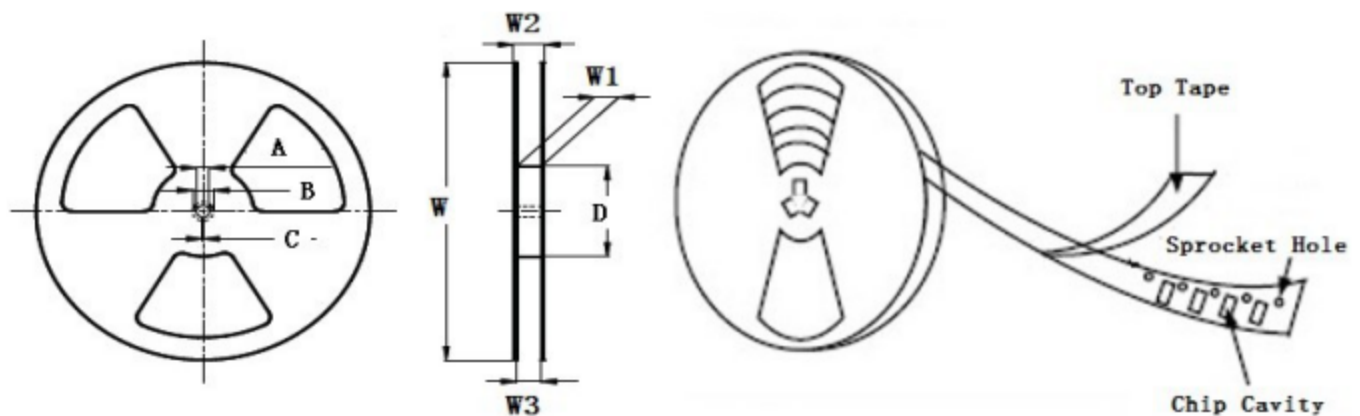
※ The rated current is the DC current value that satisfies both of current value saturation current value and temperature rise current value.

■ Taping Dimensions(Unit:mm)



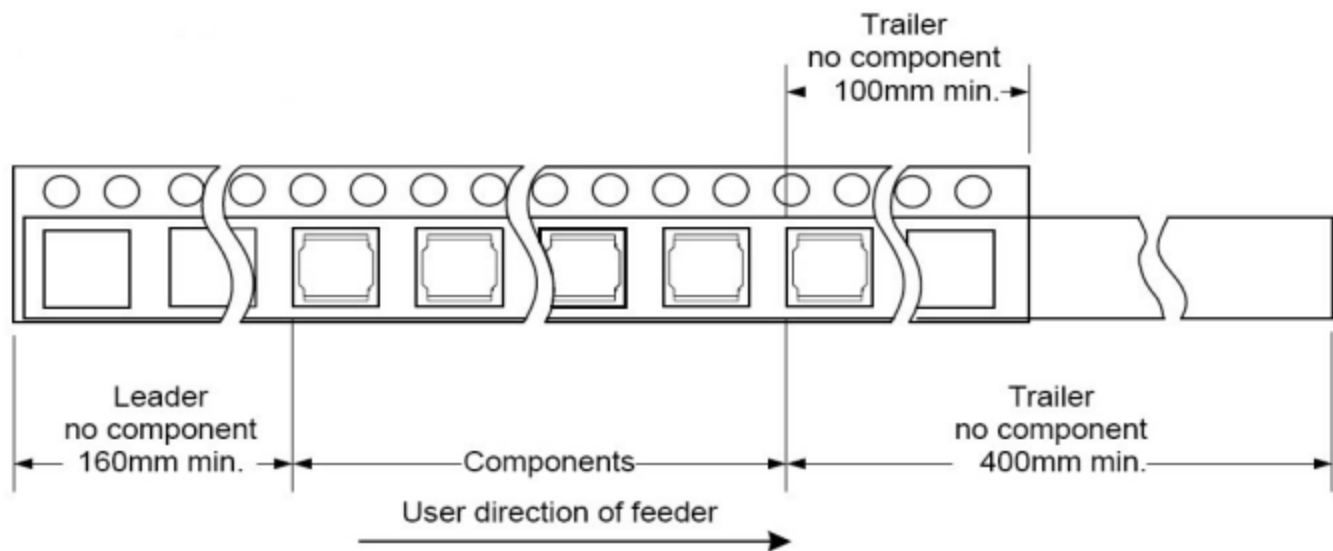
| TYPE | W | A | B | C | D | E | P | K Ref | T | MPQ |
|----------|--------|----------|----------|------|---------|----------|--------|-------|-----------|------|
| XRRH6D28 | 16±0.3 | 8.85±0.1 | 7.10±0.1 | 6.75 | 7.5±0.1 | 2.95±0.1 | 12±0.1 | 3.15 | 0.30±0.05 | 1000 |

■ Reel Dimensions(Unit:mm)

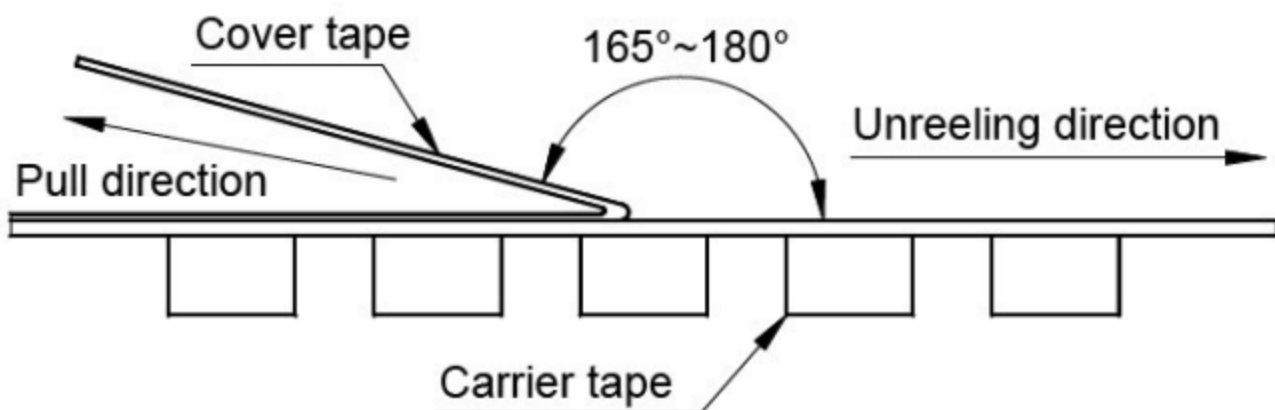


| TYPE | W | W1 | W2 | W3 | A | B | C | D |
|----------|---------|----------|----------|----------|-----------|-----------|----------|---------|
| XRRH6D28 | 330±2.0 | 16.4±2.0 | 22.4 Max | 15.9 Min | 13.0±0.50 | 21.0±0.80 | 2.0±0.50 | 100 Min |

Direction of rolling



Cover tape peel off condition



Cover tape peel force shall be 0.1N to 1.3N.

Reference peel speed 300 ± 10 mm/min.

X-ON Electronics

Largest Supplier of Electrical and Electronic Components

Click to view similar products for [Fixed Inductors](#) category:

Click to view products by [MaxLinear](#) manufacturer:

Other Similar products are found below :

[CR32NP-100KC](#) [CR54NP-470LC](#) [70F224AI](#) [MGDQ4-00004-P](#) [MHQ1005P10NJ](#) [MHQ1005P1N0S](#) [MHQ1005P2N4S](#) [MHQ1005P3N6S](#)
[MHQ1005P5N1S](#) [MHQ1005P8N2J](#) [PE-53601NL](#) [PE-53602NL](#) [PG0936.113NLT](#) [9220-20](#) [9310-16](#) [PM06-2N7](#) [PM06-39NJ](#) [A01TK](#)
[1206CS-471XJ](#) [HC2-R47-R](#) [HC8-1R2-R](#) [HCF1305-3R3-R](#) [1206CS-151XG](#) [RCH664NP-140L](#) [RCH664NP-4R7M](#) [RCP1317NP-391L](#)
[RCR110DNP-331L](#) [DH2280-4R7M](#) [DS1608C-106](#) [B10TJ](#) [B82498B3101J000](#) [ELJ-RE27NJF2](#) [1812CS-153XJ](#) [1812CS-183XJ](#) [1812CS-](#)
[223XJ](#) [1812LS-104XJ](#) [1812LS-105XJ](#) [1812LS-124XJ](#) [1812LS-154XJ](#) [1812LS-223XJ](#) [1812LS-224XJ](#) [1812LS-563XJ](#) [1812LS-683XJ](#)
[1812LS-824XJ](#) [NIN-FB101JTR110F](#) [NIN-FB471JTR62F](#) [NIN-FC1R5JTR220F](#) [NIN-HCR15JTRF](#) [NIN-HCR33JTRF](#) [NIN-HDR22JTRF](#)