

## ■ Features

- Ultra low profile.
- Magnetic shielded for low radiation.
- Bobbin ferrite core and compact size.
- Low core loss for high frequency power application.
- Large terminal surface for good PCB bonding.
- Operating temperature:-40°C ~ +125°C.

## ■ Applications

- Portable communication equipment.
- Notebook PC,digital camera,LCD television set.
- Power supply for VTR,OA equipment.
- DC/DC converters.

## ■ Product Identification

$\frac{\text{XRRH}}{(1)} \quad \frac{\square\square\square\square}{(2)} - \frac{\square\square\square}{(3)} \quad \frac{\text{M}}{(4)}$

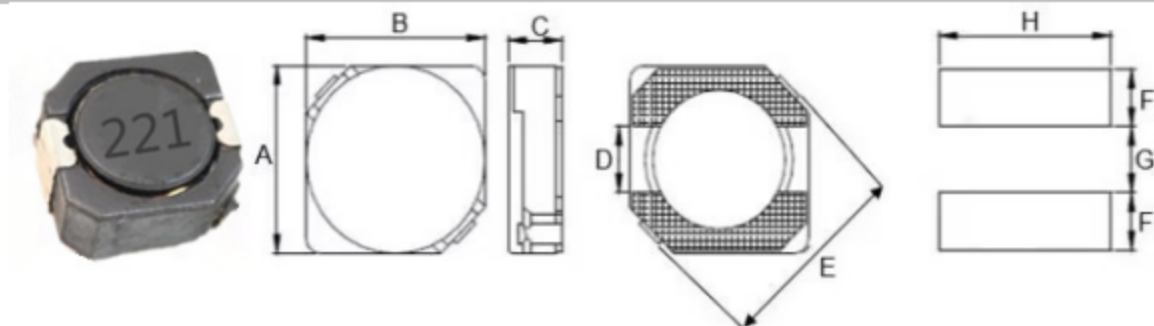
(1) : Type

(2) : Dimensions

(3) : Inductance value

(4) : Inductance Tolerance; N=±30%,M=±20%, K=±10%

#### ■ Shapes and Dimensions (Unit: mm)



TYPE	A	B	C max.	D	E	F Ref.	G Ref.	H Ref.
XRRH6D38	6.7±0.3	6.7±0.3	4.0	2.00	9.5	2.65	2.0	7.3

#### ■ XRRH6D38 Series

Part Number	Inductance (uH)	Test Freq.(KHz)	DCR MAX.(Ω)	Rated Current (A)
XRRH6D38-1R0M	1.0	100	0.017	7.00
XRRH6D38-1R5M	1.5	100	0.018	5.20
XRRH6D38-2R2M	2.2	100	0.018	4.50
XRRH6D38-2R5M	2.5	100	0.019	4.00
XRRH6D38-3R0M	3.0	100	0.020	3.50
XRRH6D38-3R3M	3.3	100	0.022	3.30
XRRH6D38-4R7M	4.7	100	0.024	3.00
XRRH6D38-5R0M	5.0	100	0.024	2.90
XRRH6D38-6R2M	6.2	100	0.027	2.50
XRRH6D38-6R8M	6.8	100	0.029	2.40
XRRH6D38-7R3M	7.3	100	0.031	2.30
XRRH6D38-8R2M	8.2	100	0.034	2.20
XRRH6D38-100M	10.0	100	0.038	2.00
XRRH6D38-120M	12.0	100	0.053	1.70

### XRRH6D38 Series-Power Inductors

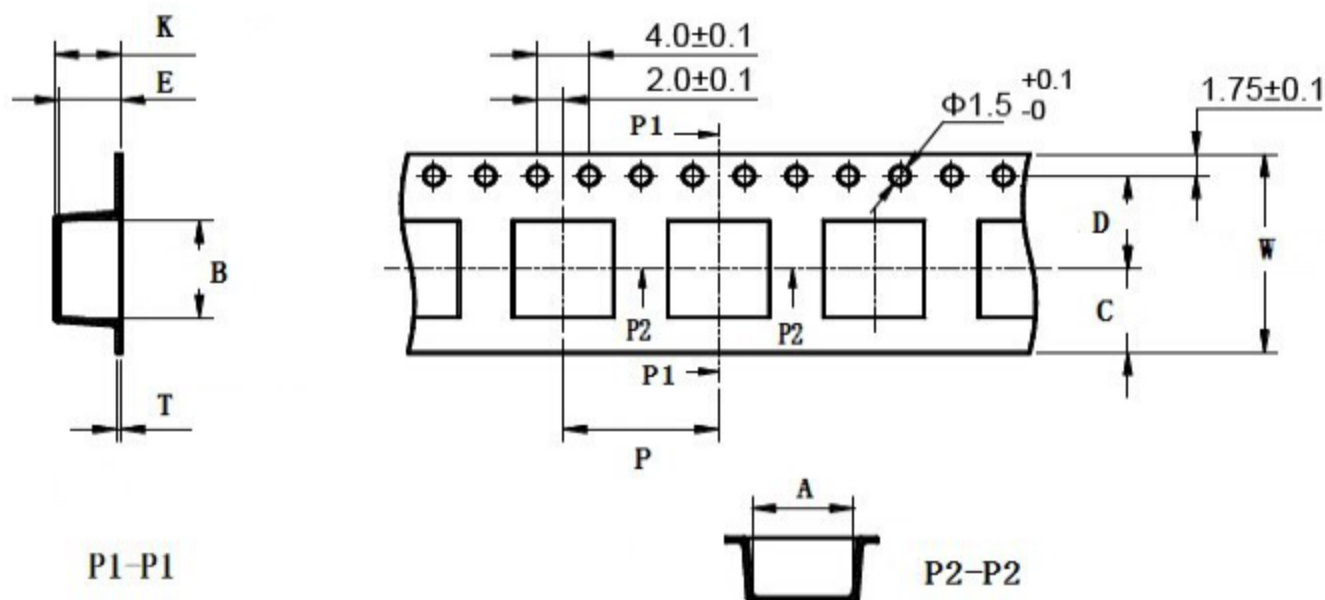
Part Number	Inductance (uH)	Test Freq.(KHz)	DCR MAX.(Ω)	Rated Current (A)
XRRH6D38-150M	15.0	100	0.057	1.60
XRRH6D38-180M	18.0	100	0.092	1.50
XRRH6D38-220M	22.0	100	0.096	1.30
XRRH6D38-270M	27.0	100	0.109	1.20
XRRH6D38-330M	33.0	100	0.124	1.10
XRRH6D38-390M	39.0	100	0.138	1.00
XRRH6D38-470M	47.0	100	0.155	0.95
XRRH6D38-560M	56.0	100	0.202	0.85
XRRH6D38-680M	68.0	100	0.234	0.75
XRRH6D38-820M	82.0	100	0.324	0.70
XRRH6D38-101M	100	100	0.358	0.65
XRRH6D38-121M	120	100	0.470	0.59
XRRH6D38-151M	150	100	0.580	0.54
XRRH6D38-181M	180	100	0.690	0.49
XRRH6D38-221M	220	100	0.890	0.43
XRRH6D38-271M	270	100	1.290	0.40
XRRH6D38-331M	330	100	1.700	0.37
XRRH6D38-391M	390	100	1.750	0.34
XRRH6D38-471M	470	100	2.200	0.32
XRRH6D38-561M	560	100	2.850	0.29
XRRH6D38-681M	680	100	3.200	0.25
XRRH6D38-821M	820	100	4.050	0.22
XRRH6D38-102M	1000	100	5.700	0.20

※ The saturation current value is the DC current value having inductance decrease down to 30%. (at 20°C)

※ The temperature rise current value is the DC current value having temperature increase up to 40°C. (at 20°C)

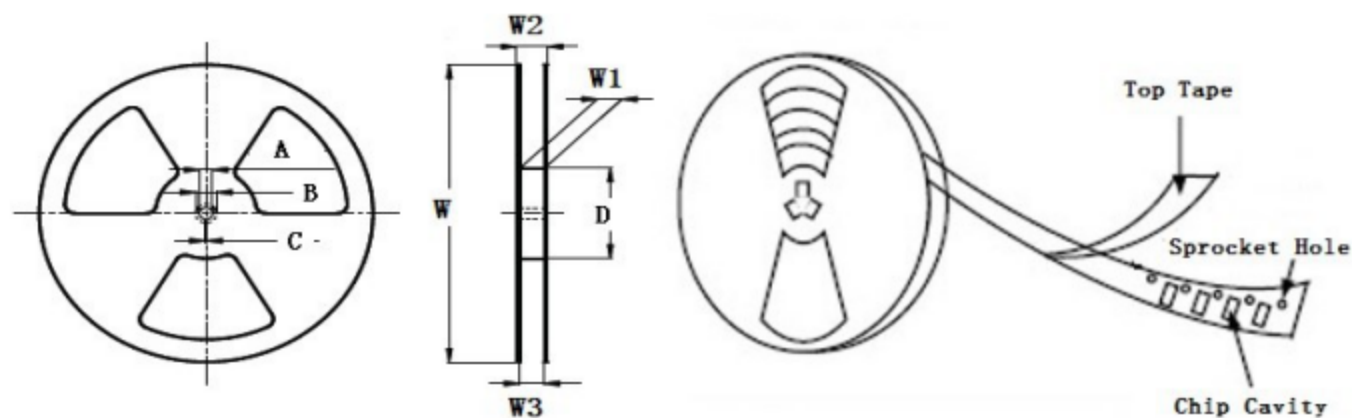
※ The rated current is the DC current value that satisfies both of current value saturation current value and temperature rise current value.

#### ■ Taping Dimensions(Unit:mm)

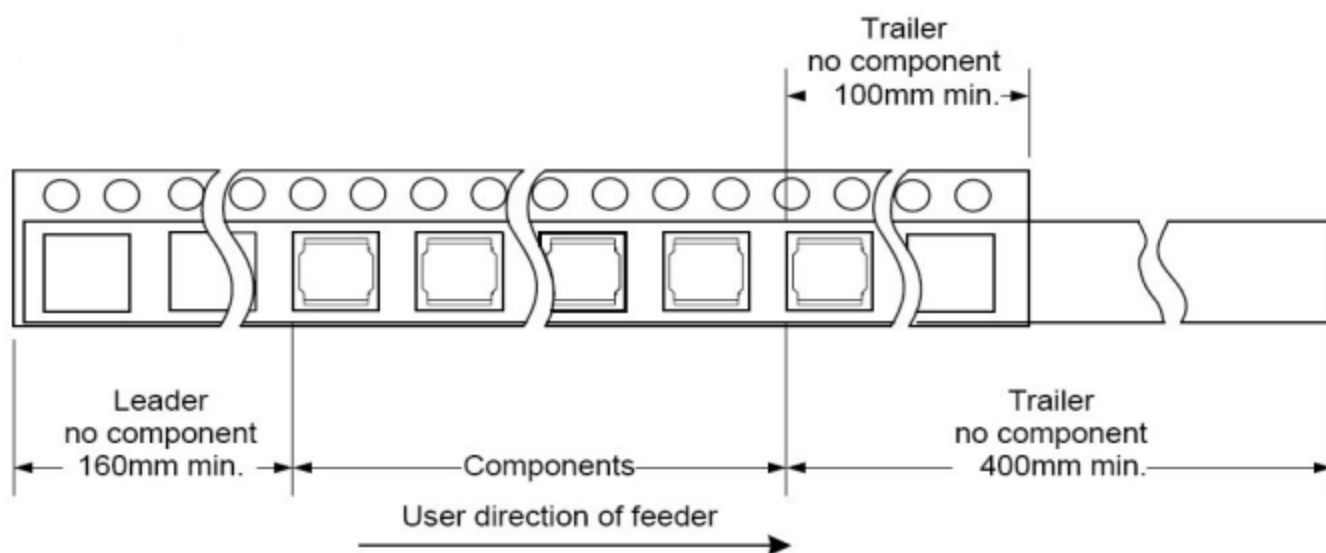
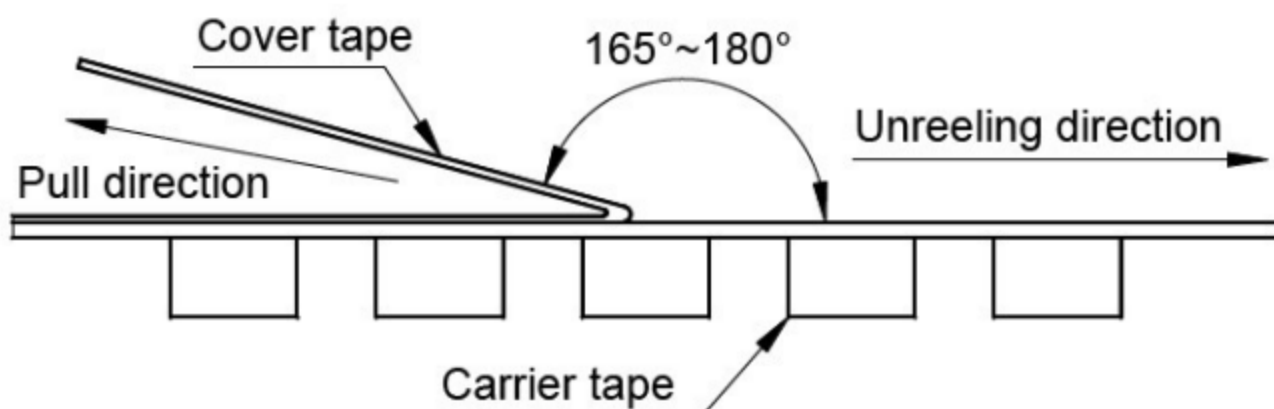


TYPE	W	A	B	C	D	E	P	K Ref	T	MPQ
XRRH6D38	16±0.3	7.25±0.1	7.25±0.1	6.75	7.5±0.1	4.00±0.1	12±0.1	4.20	0.35±0.05	1000

#### ■ Reel Dimensions(Unit:mm)



TYPE	W	W1	W2	W3	A	B	C	D
XRRH6D38	330±2.0	16.4±2.0	22.4 Max	15.9 Min	13.0±0.50	21.0±0.80	2.0±0.50	100 Min

**Direction of rolling****Cover tape peel off condition**

Cover tape peel force shall be 0.1N to 1.3N.

Reference peel speed  $300 \pm 10$  mm/min.

## X-ON Electronics

Largest Supplier of Electrical and Electronic Components

*Click to view similar products for [Fixed Inductors](#) category:*

*Click to view products by [MaxLinear](#) manufacturer:*

Other Similar products are found below :

[CR32NP-100KC](#) [CR54NP-470LC](#) [70F224AI](#) [MGDQ4-00004-P](#) [MHQ1005P10NJ](#) [MHQ1005P1N0S](#) [MHQ1005P2N4S](#) [MHQ1005P3N6S](#)  
[MHQ1005P5N1S](#) [MHQ1005P8N2J](#) [PE-53601NL](#) [PE-53602NL](#) [PG0936.113NLT](#) [9220-20](#) [9310-16](#) [PM06-2N7](#) [PM06-39NJ](#) [A01TK](#)  
[1206CS-471XJ](#) [HC2-R47-R](#) [HC8-1R2-R](#) [HCF1305-3R3-R](#) [1206CS-151XG](#) [RCH664NP-140L](#) [RCH664NP-4R7M](#) [RCP1317NP-391L](#)  
[RCR110DNP-331L](#) [DH2280-4R7M](#) [DS1608C-106](#) [B10TJ](#) [B82498B3101J000](#) [ELJ-RE27NJF2](#) [1812CS-153XJ](#) [1812CS-183XJ](#) [1812CS-](#)  
[223XJ](#) [1812LS-104XJ](#) [1812LS-105XJ](#) [1812LS-124XJ](#) [1812LS-154XJ](#) [1812LS-223XJ](#) [1812LS-224XJ](#) [1812LS-563XJ](#) [1812LS-683XJ](#)  
[1812LS-824XJ](#) [NIN-FB101JTR110F](#) [NIN-FB471JTR62F](#) [NIN-FC1R5JTR220F](#) [NIN-HCR15JTRF](#) [NIN-HCR33JTRF](#) [NIN-HDR22JTRF](#)